

 **BOEING**
COMPONENT
MAINTENANCE MANUAL

TO: ALL HOLDERS OF WING LEADING EDGE OUTBD SLAT NO. 3, 10 STRUCTURE ASSEMBLY
COMPONENT MAINTENANCE MANUAL 57-43-51

REVISION NO. 21 DATED MAR 01/04

HIGHLIGHTS

Pages which have been added or revised are outlined below together with the highlights of the revision. Remove and insert the affected pages as listed and enter Revision No. and date on the Record of Revision Sheet.

CHAPTER/SECTION

AND PAGE NO.

DESCRIPTION OF CHANGE

REPAIR-GEN Edited without technical change.

602

REPAIR 1-1

601

REPAIR 2-1

601

REPAIR 3-1

601

REPAIR 4-1

601-602

REPAIR 5-1

601

REPAIR 6-1

601-602

REPAIR 7-1

601-602

REPAIR 8-1

601-602

REPAIR 9-1

601-602

10800,1080T

REPAIR 1-1

Revised bushing item numbers to match the IPL.

602-604

REPAIR 2-1

602-604

REPAIR 3-1

602-605

57-43-51

HIGHLIGHTS

01.1

Page 1

Mar 01/04

 **BOEING**
COMPONENT
MAINTENANCE MANUAL

CHAPTER/SECTION
AND PAGE NO.

DESCRIPTION OF CHANGE

REPAIR 4-1

HIGHLIGHT CONTINUED FROM PREVIOUS PAGE

603-606

REPAIR 5-1

602-604

REPAIR 6-1

603-608

REPAIR 7-1

603-606

REPAIR 8-1

603-606

REPAIR 9-1

603-606

801-807

1003-1060Y,1061-1062L,

1064U,1065-1070H,1072Q,

1072U-1078M,1080V,

1080Y-1088P

57-43-51

HIGHLIGHTS

01.1

Page 2

Mar 01/04

WING LEADING EDGE OUTBOARD SLAT NO. 3,10 STRUCTURE ASSEMBLY

PART NUMBERS 114T4103-13SP,-14SP,-21SP,-22SP,
-23,-24,-25SP,-26SP,
-27 THRU -30,-31SP,-32SP,
-37SP,-38SP,-39 THRU -42,
-45 THRU -54,-57SP
THRU -60SP,-401SP,-402SP,
-403G THRU -412G
015T0165-7,-8
015T1507-301 THRU -388

COMPONENT MAINTENANCE MANUAL
WITH
ILLUSTRATED PARTS LIST

57-43-51

TITLE PAGE

Page 1

Nov 01/00

01.1

REVISION RECORD

- Retain this record in front of manual. On receipt of revision, insert revised pages in the manual, and enter revision number, date inserted and initial.

REVISION NUMBER	REVISION DATE	DATE FILED	BY	REVISION NUMBER	REVISION DATE	DATE FILED	BY

TEMPORARY REVISION AND SERVICE BULLETIN RECORD

BOEING SERVICE BULLETIN	BOEING TEMPORARY REVISION	OTHER DIRECTIVE	DATE OF INCORPORATION INTO MANUAL
		PRR A10503	JUL 10/83
		PRR A10503-2	JUL 10/83
		PRR A10514-2	JUL 10/83
		PRR A10514-3	JUL 10/83
		PRR A10515	JUL 10/83
		PRR A10517	JUL 10/83
		PRR A10519	JUL 10/83
		PRR A10521	JUL 10/83
		PRR A10522	JUL 10/83
		PRR A10525	JUL 10/83
		PRR A10530	JUL 10/83
		PRR A10374	JUL 10/83
		PRR A10520	OCT 10/84
		PRR A10529	OCT 10/84
		PRR C12017-1	OCT 10/84
		MCB 1111-001	OCT 10/85
		PRR A10663	JAN 10/87
		PRR C12050	JUL 10/87
		PRR B11528-3	JUL 10/87
53-0030		MC 0310MK6031	APR 01/91
53-0042		MC 0310MK6027	APR 01/92
53-0048		MC 0310MK6027	APR 01/92
		PRR B11714	APR 01/91
		PRR C12343	APR 01/91
57A0039 R2			JUN 01/95
32-0095			JUN 01/95
32-0107			JUN 01/95
53-0070		MC 0310MK6027	JUN 01/96
		MC 1110MP6165	JUN 01/96
		PRR B12900-67	MAR 01/00
57A0057			JUN 01/97
57A0057 R1			MAR 01/00
57A0057 R2			MAR 01/00
		PRR B13103-2	MAR 01/00
		PRR B13113-1	MAR 01/00
		PRR B12797	MAR 01/00
		PRR B13255	NOV 01/00
		PRR B12628-2	NOV 01/00

57-43-51

TR & SB RECORD

01.1

Page 1

Nov 01/00

PAGE	DATE	CODE	PAGE	DATE	CODE
57-43-51			REPAIR-GENERAL		
			601	NOV 01/00	01.1
			*602	MAR 01/04	01.1
TITLE PAGE			603	JUN 01/97	01.1
1	NOV 01/00	01.1	604	BLANK	
2	BLANK				
			REPAIR 1-1		
REVISION RECORD			*601	MAR 01/04	01.1
1	JUN 01/97	01.1	*602	MAR 01/04	01.1
2	BLANK		*603	MAR 01/04	01.1
			*604	MAR 01/04	01.1
TR & SB RECORD			REPAIR 2-1		
1	NOV 01/00	01.1	*601	MAR 01/04	01.1
2	BLANK		*602	MAR 01/04	01.1
			*603	MAR 01/04	01.1
LIST OF EFFECTIVE PAGES			*604	MAR 01/04	01.1
*1	MAR 01/04	01			
THRU LAST PAGE			REPAIR 3-1		
			*601	MAR 01/04	01.1
CONTENTS			*602	MAR 01/04	01.1
1	MAR 01/00	01.1	*603	MAR 01/04	01.1
2	BLANK		*604	MAR 01/04	01.1
			*605	MAR 01/04	01.1
INTRODUCTION			*606	BLANK	
1	JUN 01/97	01.1	REPAIR 4-1		
2	BLANK		*601	MAR 01/04	01.1
			*602	MAR 01/04	01.1
DESCRIPTION & OPERATION			*603	MAR 01/04	01.1
1	JUN 01/97	01.1	*604	MAR 01/04	01.1
2	BLANK		*605	MAR 01/04	01.1
			*606	MAR 01/04	01.1
DISASSEMBLY			REPAIR 5-1		
301	JUN 01/97	01.1	*601	MAR 01/04	01.1
302	BLANK		*602	MAR 01/04	01.1
			*603	MAR 01/04	01.1
CLEANING			*604	MAR 01/04	01.1
401	JUN 01/97	01.1			
402	BLANK				
CHECK					
501	MAR 01/00	01.1			
502	BLANK				

* = REVISED, ADDED OR DELETED

57-43-51

EFFECTIVE PAGES
 CONTINUED Page 1
 01 Mar 01/04

PAGE	DATE	CODE	PAGE	DATE	CODE
REPAIR 6-1			REPAIR 10-1		CONT.
*601	MAR 01/04	01.1	609	NOV 01/00	01.1
*602	MAR 01/04	01.1	610	NOV 01/00	01.1
*603	MAR 01/04	01.1	611	NOV 01/00	01.1
*604	MAR 01/04	01.1	612	NOV 01/00	01.1
*605	MAR 01/04	01.1	613	NOV 01/00	01.1
*606	MAR 01/04	01.1	614	NOV 01/00	01.1
*607	MAR 01/04	01.1			
*608	MAR 01/04	01.1	REPAIR 12-1		
REPAIR 7-1			601	MAR 01/00	01.1
*601	MAR 01/04	01.1	602	MAR 01/98	01.1
*602	MAR 01/04	01.1	603	MAR 01/98	01.1
*603	MAR 01/04	01.1	604	NOV 01/01	01.1
*604	MAR 01/04	01.1	605	MAR 01/98	01.1
*605	MAR 01/04	01.1	606	MAR 01/98	01.1
*606	MAR 01/04	01.1	607	JUN 01/97	01.1
REPAIR 8-1			608	JUN 01/97	01.1
*601	MAR 01/04	01.1	609	JUN 01/97	01.1
*602	MAR 01/04	01.1	610	NOV 01/01	01.1
*603	MAR 01/04	01.1	611	NOV 01/01	01.1
*604	MAR 01/04	01.1	612	BLANK	
*605	MAR 01/04	01.1	ASSEMBLY		
*606	MAR 01/04	01.1	701	JUN 01/97	01.1
REPAIR 9-1			702	JUN 01/97	01.1
*601	MAR 01/04	01.1	703	JUN 01/97	01.1
*602	MAR 01/04	01.1	704	JUN 01/97	01.1
*603	MAR 01/04	01.1	705	JUN 01/97	01.1
*604	MAR 01/04	01.1	706	BLANK	
*605	MAR 01/04	01.1	FITS AND CLEARANCES		
*606	MAR 01/04	01.1	*801	MAR 01/04	01.1
REPAIR 10-1			*802	MAR 01/04	01.1
601	MAR 01/00	01.101	*803	MAR 01/04	01.1
602	NOV 01/00	01.1	*804	MAR 01/04	01.1
603	NOV 01/00	01.1	*805	MAR 01/04	01.1
604	NOV 01/00	01.1	*806	MAR 01/04	01.1
605	NOV 01/00	01.1	*807	MAR 01/04	01.1
606	NOV 01/00	01.1	*808	BLANK	
607	NOV 01/00	01.1			
608	NOV 01/00	01.1			

* = REVISED, ADDED OR DELETED

57-43-51

EFFECTIVE PAGES
 CONTINUED Page 2
 01 Mar 01/04

PAGE	DATE	CODE	PAGE	DATE	CODE
SPECIAL TOOLS			ILLUSTRATED PARTS LIST		
901	JUN 01/97	01.1	*1039	MAR 01/04	01.1
902	BLANK		*1040	MAR 01/04	01.1
ILLUSTRATED PARTS LIST			*1041	MAR 01/04	01.1
1001	JUN 01/97	01.1	*1042	MAR 01/04	01.1
1002	NOV 01/00	01.1	*1043	MAR 01/04	01.1
*1003	MAR 01/04	01.1	*1044	MAR 01/04	01.1
*1004	MAR 01/04	01.1	*1045	MAR 01/04	01.1
*1005	MAR 01/04	01.1	*1046	MAR 01/04	01.1
*1006	MAR 01/04	01.1	*1047	MAR 01/04	01.1
*1007	MAR 01/04	01.1	*1048	MAR 01/04	01.1
*1008	MAR 01/04	01.1	*1049	MAR 01/04	01.1
*1009	MAR 01/04	01.1	*1050	MAR 01/04	01.1
*1010	MAR 01/04	01.1	*1051	MAR 01/04	01.1
*1011	MAR 01/04	01.1	*1052	MAR 01/04	01.1
*1012	MAR 01/04	01.1	*1053	MAR 01/04	01.1
*1013	MAR 01/04	01.1	*1054	MAR 01/04	01.1
*1014	MAR 01/04	01.1	*1055	MAR 01/04	01.1
*1015	MAR 01/04	01.1	*1056	MAR 01/04	01.1
*1016	MAR 01/04	01.1	*1057	MAR 01/04	01.1
*1017	MAR 01/04	01.1	*1058	MAR 01/04	01.1
*1018	MAR 01/04	01.1	*1059	MAR 01/04	01.1
*1019	MAR 01/04	01.1	*1060	MAR 01/04	01.1
*1020	MAR 01/04	01.1	*1060A	MAR 01/04	01.1
*1021	MAR 01/04	01.1	*1060B	MAR 01/04	01.1
*1022	MAR 01/04	01.1	*1060C	MAR 01/04	01.1
*1023	MAR 01/04	01.1	*1060D	MAR 01/04	01.1
*1024	MAR 01/04	01.1	*1060E	MAR 01/04	01.1
*1025	MAR 01/04	01.1	*1060F	MAR 01/04	01.1
*1026	MAR 01/04	01.1	*1060G	MAR 01/04	01.1
*1027	MAR 01/04	01.1	*1060H	MAR 01/04	01.1
*1028	MAR 01/04	01.1	*1060I	MAR 01/04	01.1
*1029	MAR 01/04	01.1	*1060J	MAR 01/04	01.1
*1030	MAR 01/04	01.1	*1060K	MAR 01/04	01.1
*1031	MAR 01/04	01.1	*1060L	MAR 01/04	01.1
*1032	MAR 01/04	01.1	*1060M	MAR 01/04	01.1
*1033	MAR 01/04	01.1	*1060N	MAR 01/04	01.1
*1034	MAR 01/04	01.1	*1060O	MAR 01/04	01.1
*1035	MAR 01/04	01.1	*1060P	MAR 01/04	01.1
*1036	MAR 01/04	01.1	*1060Q	MAR 01/04	01.1
*1037	MAR 01/04	01.1	*1060R	MAR 01/04	01.1
*1038	MAR 01/04	01.1	*1060S	MAR 01/04	01.1
			*1060T	MAR 01/04	01.1

* = REVISED, ADDED OR DELETED

57-43-51

EFFECTIVE PAGES
 CONTINUED Page 3
 01 Mar 01/04

PAGE	DATE	CODE	PAGE	DATE	CODE
ILLUSTRATED PARTS LIST		CONT.	ILLUSTRATED PARTS LIST		CONT.
*1060U	MAR 01/04	01.1	*1064G	MAR 01/04	01.1
*1060V	MAR 01/04	01.1	*1064H	MAR 01/04	01.1
*1060W	MAR 01/04	01.1	*1064I	MAR 01/04	01.1
*1060X	MAR 01/04	01.1	*1064J	MAR 01/04	01.1
*1060Y	MAR 01/04	01.1	*1064K	MAR 01/04	01.1
*1060Z	MAR 01/04	01.1	*1064L	MAR 01/04	01.1
*1061	MAR 01/04	01.1	*1064M	MAR 01/04	01.1
*1062	MAR 01/04	01.1	*1064N	MAR 01/04	01.1
*1062A	MAR 01/04	01.1	*1064O	MAR 01/04	01.1
*1062B	MAR 01/04	01.1	*1064P	MAR 01/04	01.1
*1062C	MAR 01/04	01.1	*1064Q	MAR 01/04	01.1
*1062D	MAR 01/04	01.1	*1064R	MAR 01/04	01.1
*1062E	MAR 01/04	01.1	*1064S	MAR 01/04	01.1
*1062F	MAR 01/04	01.1	*1064T	MAR 01/04	01.1
*1062G	MAR 01/04	01.1	*1064U	MAR 01/04	01.1
*1062H	MAR 01/04	01.1	*1064V	MAR 01/04	01.1
*1062I	MAR 01/04	01.1	*1064W	MAR 01/04	01.1
*1062J	MAR 01/04	01.1	*1064X	MAR 01/04	01.1
*1062K	MAR 01/04	01.1	*1064Y	MAR 01/04	01.1
*1062L	MAR 01/04	01.1	*1064Z	MAR 01/04	01.1
*1062M	MAR 01/04	01.1	*1065	MAR 01/04	01.1
*1062N	MAR 01/04	01.1	*1066	MAR 01/04	01.1
*1062O	MAR 01/04	01.1	*1066A	MAR 01/04	01.1
*1062P	MAR 01/04	01.1	*1066B	MAR 01/04	01.1
*1062Q	MAR 01/04	01.1	*1066C	MAR 01/04	01.1
*1062R	MAR 01/04	01.1	*1066D	MAR 01/04	01.1
*1062S	MAR 01/04	01.1	*1066E	MAR 01/04	01.1
*1062T	MAR 01/04	01.1	*1066F	MAR 01/04	01.1
*1062U	MAR 01/04	01.1	*1066G	MAR 01/04	01.1
*1062V	MAR 01/04	01.1	*1066H	MAR 01/04	01.1
*1062W	MAR 01/04	01.1	*1066I	MAR 01/04	01.1
*1062X	MAR 01/04	01.1	*1066J	MAR 01/04	01.1
*1062Y	MAR 01/04	01.1	*1066K	MAR 01/04	01.1
*1062Z	MAR 01/04	01.1	*1066L	MAR 01/04	01.1
*1063	MAR 01/04	01.1	*1066M	MAR 01/04	01.1
*1064	MAR 01/04	01.1	*1066N	MAR 01/04	01.1
*1064A	MAR 01/04	01.1	*1066O	MAR 01/04	01.1
*1064B	MAR 01/04	01.1	*1066P	MAR 01/04	01.1
*1064C	MAR 01/04	01.1	*1066Q	MAR 01/04	01.1
*1064D	MAR 01/04	01.1	*1066R	MAR 01/04	01.1
*1064E	MAR 01/04	01.1	*1066S	MAR 01/04	01.1
*1064F	MAR 01/04	01.1	*1066T	MAR 01/04	01.1

* = REVISED, ADDED OR DELETED

57-43-51

EFFECTIVE PAGES
 CONTINUED Page 4
 01 Mar 01/04

PAGE	DATE	CODE	PAGE	DATE	CODE
ILLUSTRATED	PARTS LIST	CONT.	ILLUSTRATED	PARTS LIST	CONT.
*1066U	MAR 01/04	01.1	*1070G	MAR 01/04	01.1
*1066V	MAR 01/04	01.1	*1070H	MAR 01/04	01.1
*1066W	MAR 01/04	01.1	*1070I	BLANK	
*1066X	MAR 01/04	01.1	*1070J	MAR 01/04	01.1
*1066Y	MAR 01/04	01.1	*1070K	MAR 01/04	01.1
*1066Z	MAR 01/04	01.1	*1070L	MAR 01/04	01.1
*1067	MAR 01/04	01.1	*1070M	MAR 01/04	01.1
*1068	MAR 01/04	01.1	*1070N	MAR 01/04	01.1
*1068A	MAR 01/04	01.1	*1070O	MAR 01/04	01.1
*1068B	MAR 01/04	01.1	*1070P	MAR 01/04	01.1
*1068C	MAR 01/04	01.1	*1070Q	MAR 01/04	01.1
*1068D	MAR 01/04	01.1	*1070R	MAR 01/04	01.1
*1068E	MAR 01/04	01.1	*1070S	MAR 01/04	01.1
*1068F	MAR 01/04	01.1	*1070T	MAR 01/04	01.1
*1068G	MAR 01/04	01.1	*1070U	MAR 01/04	01.1
*1068H	MAR 01/04	01.1	*1070V	MAR 01/04	01.1
*1068I	MAR 01/04	01.1	*1070W	MAR 01/04	01.1
*1068J	MAR 01/04	01.1	*1070X	MAR 01/04	01.1
*1068K	MAR 01/04	01.1	*1070Y	MAR 01/04	01.1
*1068L	MAR 01/04	01.1	*1070Z	MAR 01/04	01.1
*1068M	MAR 01/04	01.1	*1071	MAR 01/04	01.1
*1068N	MAR 01/04	01.1	*1072	MAR 01/04	01.1
*1068O	MAR 01/04	01.1	*1072A	MAR 01/04	01.1
*1068P	MAR 01/04	01.1	*1072B	MAR 01/04	01.1
*1068Q	MAR 01/04	01.1	*1072C	MAR 01/04	01.1
*1068R	MAR 01/04	01.1	*1072D	MAR 01/04	01.1
*1068S	MAR 01/04	01.1	*1072E	MAR 01/04	01.1
*1068T	MAR 01/04	01.1	*1072F	MAR 01/04	01.1
*1068U	MAR 01/04	01.1	*1072G	MAR 01/04	01.1
*1068V	MAR 01/04	01.1	*1072H	MAR 01/04	01.1
*1068W	MAR 01/04	01.1	*1072I	MAR 01/04	01.1
*1068X	MAR 01/04	01.1	*1072J	MAR 01/04	01.1
*1068Y	MAR 01/04	01.1	*1072K	MAR 01/04	01.1
*1068Z	MAR 01/04	01.1	*1072L	MAR 01/04	01.1
*1069	MAR 01/04	01.1	*1072M	MAR 01/04	01.1
*1070	MAR 01/04	01.1	*1072N	MAR 01/04	01.1
*1070A	MAR 01/04	01.1	*1072O	MAR 01/04	01.1
*1070B	MAR 01/04	01.1	*1072P	MAR 01/04	01.1
*1070C	MAR 01/04	01.1	*1072Q	MAR 01/04	01.1
*1070D	MAR 01/04	01.1	*1072R	MAR 01/04	01.1
*1070E	MAR 01/04	01.1	*1072S	MAR 01/04	01.1
*1070F	MAR 01/04	01.1	*1072T	MAR 01/04	01.1

* = REVISED, ADDED OR DELETED

57-43-51

EFFECTIVE PAGES
 CONTINUED Page 5
 01 Mar 01/04

PAGE	DATE	CODE	PAGE	DATE	CODE
ILLUSTRATED PARTS LIST		CONT.	ILLUSTRATED PARTS LIST		CONT.
*1072U	MAR 01/04	01.1	*1076G	MAR 01/04	01.1
*1072V	MAR 01/04	01.1	*1076H	MAR 01/04	01.1
*1072W	MAR 01/04	01.1	*1076I	MAR 01/04	01.1
*1072X	MAR 01/04	01.1	*1076J	MAR 01/04	01.1
*1072Y	MAR 01/04	01.1	*1076K	MAR 01/04	01.1
*1072Z	MAR 01/04	01.1	*1076L	MAR 01/04	01.1
*1073	MAR 01/04	01.1	*1076M	MAR 01/04	01.1
*1074	MAR 01/04	01.1	*1076N	MAR 01/04	01.1
*1074A	MAR 01/04	01.1	*1076O	MAR 01/04	01.1
*1074B	MAR 01/04	01.1	*1076P	MAR 01/04	01.1
*1074C	MAR 01/04	01.1	*1076Q	MAR 01/04	01.1
*1074D	MAR 01/04	01.1	*1076R	MAR 01/04	01.1
*1074E	MAR 01/04	01.1	*1076S	MAR 01/04	01.1
*1074F	MAR 01/04	01.1	*1076T	MAR 01/04	01.1
*1074G	MAR 01/04	01.1	*1076U	MAR 01/04	01.1
*1074H	MAR 01/04	01.1	*1076V	MAR 01/04	01.1
*1074I	MAR 01/04	01.1	*1076W	MAR 01/04	01.1
*1074J	MAR 01/04	01.1	*1076X	MAR 01/04	01.1
*1074K	MAR 01/04	01.1	*1076Y	MAR 01/04	01.1
*1074L	MAR 01/04	01.1	*1076Z	MAR 01/04	01.1
*1074M	MAR 01/04	01.1	*1077	MAR 01/04	01.1
*1074N	MAR 01/04	01.1	*1078	MAR 01/04	01.1
*1074O	MAR 01/04	01.1	*1078A	MAR 01/04	01.1
*1074P	MAR 01/04	01.1	*1078B	MAR 01/04	01.1
*1074Q	MAR 01/04	01.1	*1078C	MAR 01/04	01.1
*1074R	MAR 01/04	01.1	*1078D	MAR 01/04	01.1
*1074S	MAR 01/04	01.1	*1078E	MAR 01/04	01.1
*1074T	MAR 01/04	01.1	*1078F	MAR 01/04	01.1
*1074U	MAR 01/04	01.1	*1078G	MAR 01/04	01.1
*1074V	MAR 01/04	01.1	*1078H	MAR 01/04	01.1
*1074W	MAR 01/04	01.1	*1078I	MAR 01/04	01.1
*1074X	MAR 01/04	01.1	*1078J	MAR 01/04	01.1
*1074Y	MAR 01/04	01.1	*1078K	MAR 01/04	01.1
*1074Z	MAR 01/04	01.1	*1078L	MAR 01/04	01.1
*1075	MAR 01/04	01.1	*1078M	MAR 01/04	01.1
*1076	MAR 01/04	01.1	*1078N	MAR 01/04	01.1
*1076A	MAR 01/04	01.1	*1078O	MAR 01/04	01.1
*1076B	MAR 01/04	01.1	*1078P	MAR 01/04	01.1
*1076C	MAR 01/04	01.1	*1078Q	MAR 01/04	01.1
*1076D	MAR 01/04	01.1	*1078R	MAR 01/04	01.1
*1076E	MAR 01/04	01.1	*1078S	MAR 01/04	01.1
*1076F	MAR 01/04	01.1	*1078T	MAR 01/04	01.1

* = REVISED, ADDED OR DELETED

57-43-51

EFFECTIVE PAGES
 CONTINUED Page 6
 01 Mar 01/04

PAGE	DATE	CODE		PAGE	DATE	CODE	
ILLUSTRATED	PARTS LIST		CONT.	ILLUSTRATED	PARTS LIST		CONT.
*1078U	MAR 01/04	01.1		*1082G	MAR 01/04	01.1	
*1078V	MAR 01/04	01.1		*1082H	MAR 01/04	01.1	
*1078W	MAR 01/04	01.1		*1082I	MAR 01/04	01.1	
*1078X	MAR 01/04	01.1		*1082J	MAR 01/04	01.1	
*1078Y	MAR 01/04	01.1		*1082K	MAR 01/04	01.1	
*1078Z	MAR 01/04	01.1		*1082L	MAR 01/04	01.1	
*1079	MAR 01/04	01.1		*1082M	MAR 01/04	01.1	
*1080	MAR 01/04	01.1		*1082N	MAR 01/04	01.1	
*1080A	MAR 01/04	01.1		*1082O	MAR 01/04	01.1	
*1080B	MAR 01/04	01.1		*1082P	MAR 01/04	01.1	
*1080C	MAR 01/04	01.1		*1082Q	MAR 01/04	01.1	
*1080D	MAR 01/04	01.1		*1082R	MAR 01/04	01.1	
*1080E	MAR 01/04	01.1		*1082S	MAR 01/04	01.1	
*1080F	MAR 01/04	01.1		*1082T	MAR 01/04	01.1	
*1080G	MAR 01/04	01.1		*1082U	MAR 01/04	01.1	
*1080H	MAR 01/04	01.1		*1082V	MAR 01/04	01.1	
*1080I	MAR 01/04	01.1		*1082W	MAR 01/04	01.1	
*1080J	MAR 01/04	01.1		*1082X	MAR 01/04	01.1	
*1080K	MAR 01/04	01.1		*1082Y	MAR 01/04	01.1	
*1080L	MAR 01/04	01.1		*1082Z	MAR 01/04	01.1	
*1080M	MAR 01/04	01.1		*1083	MAR 01/04	01.1	
*1080N	MAR 01/04	01.1		*1084	MAR 01/04	01.1	
*1080O	MAR 01/04	01.1		*1084A	MAR 01/04	01.1	
*1080P	MAR 01/04	01.1		*1084B	MAR 01/04	01.1	
*1080Q	MAR 01/04	01.1		*1084C	MAR 01/04	01.1	
*1080R	MAR 01/04	01.1		*1084D	MAR 01/04	01.1	
*1080S	MAR 01/04	01.1		*1084E	MAR 01/04	01.1	
*1080T	MAR 01/04	01.1		*1084F	MAR 01/04	01.1	
*1080U	MAR 01/04	01.1		*1084G	MAR 01/04	01.1	
*1080V	MAR 01/04	01.1		*1084H	MAR 01/04	01.1	
*1080W	MAR 01/04	01.1		*1084I	MAR 01/04	01.1	
*1080X	MAR 01/04	01.1		*1084J	MAR 01/04	01.1	
*1080Y	MAR 01/04	01.1		*1084K	MAR 01/04	01.1	
*1080Z	MAR 01/04	01.1		*1084L	MAR 01/04	01.1	
*1081	MAR 01/04	01.1		*1084M	MAR 01/04	01.1	
*1082	MAR 01/04	01.1		*1084N	MAR 01/04	01.1	
*1082A	MAR 01/04	01.1		*1084O	MAR 01/04	01.1	
*1082B	MAR 01/04	01.1		*1084P	MAR 01/04	01.1	
*1082C	MAR 01/04	01.1		*1084Q	MAR 01/04	01.1	
*1082D	MAR 01/04	01.1		*1084R	MAR 01/04	01.1	
*1082E	MAR 01/04	01.1		*1084S	MAR 01/04	01.1	
*1082F	MAR 01/04	01.1		*1084T	MAR 01/04	01.1	

* = REVISED, ADDED OR DELETED

57-43-51

EFFECTIVE PAGES
 CONTINUED Page 7
 01 Mar 01/04

PAGE	DATE	CODE	PAGE	DATE	CODE
ILLUSTRATED PARTS LIST		CONT.	ILLUSTRATED PARTS LIST		CONT.
*1084U	MAR 01/04	01.1	*1088G	MAR 01/04	01.1
*1084V	MAR 01/04	01.1	*1088H	MAR 01/04	01.1
*1084W	MAR 01/04	01.1	*1088I	MAR 01/04	01.1
*1084X	MAR 01/04	01.1	*1088J	MAR 01/04	01.1
*1084Y	MAR 01/04	01.1	*1088K	MAR 01/04	01.1
*1084Z	MAR 01/04	01.1	*1088L	MAR 01/04	01.1
*1085	MAR 01/04	01.1	*1088M	MAR 01/04	01.1
*1086	MAR 01/04	01.1	*1088N	MAR 01/04	01.1
*1086A	MAR 01/04	01.1	*1088O	MAR 01/04	01.1
*1086B	MAR 01/04	01.1	*1088P	MAR 01/04	01.1
*1086C	MAR 01/04	01.1			
*1086D	MAR 01/04	01.1			
*1086E	MAR 01/04	01.1			
*1086F	MAR 01/04	01.1			
*1086G	MAR 01/04	01.1			
*1086H	MAR 01/04	01.1			
*1086I	MAR 01/04	01.1			
*1086J	MAR 01/04	01.1			
*1086K	MAR 01/04	01.1			
*1086L	MAR 01/04	01.1			
*1086M	MAR 01/04	01.1			
*1086N	MAR 01/04	01.1			
*1086O	MAR 01/04	01.1			
*1086P	MAR 01/04	01.1			
*1086Q	MAR 01/04	01.1			
*1086R	MAR 01/04	01.1			
*1086S	MAR 01/04	01.1			
*1086T	MAR 01/04	01.1			
*1086U	MAR 01/04	01.1			
*1086V	MAR 01/04	01.1			
*1086W	MAR 01/04	01.1			
*1086X	MAR 01/04	01.1			
*1086Y	MAR 01/04	01.1			
*1086Z	MAR 01/04	01.1			
*1087	MAR 01/04	01.1			
*1088	MAR 01/04	01.1			
*1088A	MAR 01/04	01.1			
*1088B	MAR 01/04	01.1			
*1088C	MAR 01/04	01.1			
*1088D	MAR 01/04	01.1			
*1088E	MAR 01/04	01.1			
*1088F	MAR 01/04	01.1			

* = REVISED, ADDED OR DELETED

57-43-51

EFFECTIVE PAGES
 LAST PAGE Page 8
 01 Mar 01/04

TABLE OF CONTENTS

<u>Paragraph Title</u>	<u>Page</u>
Description and Operation	1
Testing and Fault Isolation (Not Applicable)	
Disassembly.	301
Cleaning	401
Check.	501
Repair	601
Assembly	701
Fits and Clearances.	801
Special Tools.	901
Illustrated Parts List	1001

INTRODUCTION

The instructions in this manual provide the information necessary to perform maintenance functions including test, fault isolation, and replacement of defective components.

This manual is divided into separate sections:

- | | |
|---|--------------------------------|
| 1. Title Page | 4. List of Effective Pages |
| 2. Record of Revisions | 5. Table of Contents |
| 3. Temporary Revisions &
Service Bulletin Record | 6. Introduction |
| | 7. Procedures and IPL Sections |

Refer to the Table of Contents for the page location of applicable sections. An asterisked flagnote *[] in place of the page number indicates that no special instructions are provided since the function can be performed using standard industry practices.

An explanation of the use of the Illustrated Parts List is provided in the introduction to that section.

All weights and measurements used in the manual are in English units unless otherwise stated. When metric equivalents are given they will be in parentheses following the English units.

Design changes, optional parts, configuration differences and Service Bulletin modifications create alternate part numbers. These are identified in the Illustrated Parts List (IPL) by adding an alphabetical character to the basic item number. The resulting item number is called an alpha-variant. Throughout the manual, IPL basic item number references also apply to alpha-variants unless otherwise indicated.

57-43-51

INTRODUCTION

01.1

Page 1

Jun 01/97

WING LEADING EDGE OUTBOARD SLAT NO. 3 AND NO. 10 STRUCTURE ASSEMBLY

DESCRIPTION AND OPERATION

1. Description

- A. The wing leading edge outboard slat No. 3 and No. 10 structure assembly consists of seal installations, panel assemblies, rib assemblies, a nose beam assembly and a trailing edge wedge assembly.

2. Operation

- A. The wing leading edge outboard slat structure is a moveable auxiliary air foil attached to the wing leading edge. The slat moves in coordination with the flaps. When the slat is not activated, it forms part of the normal contour of the wing. When the slat is activated, the basic air foil shape of the wing is changed. This change in air foil shape causes a change in the pressure distribution over the wing which results in increased lift.

3. Leading Particulars (approx)

- A. Length -- 151 inches
- B. Width -- 24 inches
- C. Thickness -- 6.7 inches
- D. Weight -- 103 pounds (each)

57-43-51

DESCRIPTION & OPERATION

01.1

Page 1

Jun 01/97

015T0165
015T1507
114T4103
DASH NUMBERS LIMITED



DISASSEMBLY

1. Use standard industry practices for disassembly of this component.

NOTE: Disassemble this component only as necessary to complete fault isolation determine the serviceability of parts, perform required repairs, and restore the unit to serviceable condition.

57-43-51

DISASSEMBLY

01.1

Page 301

Jun 01/97

CLEANING

CAUTION: DO NOT VAPOR DEGREASE GRAPHITE/ARAMID EPOXY STRUCTURES WITH CHLORINATED CLEANING AGENTS SUCH AS METHYLENE CHLORIDE, TRICHLOROETHYLENE AND TRICHLOROETHANE. CHLORINATED CLEANING AGENTS WILL CAUSE DAMAGE TO GRAPHITE/ARAMID EPOXY STRUCTURES.

1,1,1 - TRICHLOROETHANE IS ONE OF THE SOLVENTS ALLOWED FOR CLEANING COMPOSITE COMPONENTS. DO NOT SUBMERGE PARTS IN THE SOLVENT OR ALLOW STANDING SOLVENT ON THE PARTS OR DAMAGE MAY OCCUR. USE 1,1,1 - TRICHLOROETHANE ONLY AS A WIPE SOLVENT.

1. Clean all parts in accordance with standard industry practices (Ref 20-30-03) except for graphite/aramid epoxy structures.

57-43-51

CLEANING
Page 401
Jun 01/97

01.1

CHECK

1. Examine all parts for defects by standard industry practices. Refer to Fits and Clearances for design dimensions and wear limits. Do the magnetic particle check and penetrant check only if the visual check finds possible defects.
2. Do a visual check of the honeycomb and the bonded parts for signs of delamination, internal water, scratches, and contour defects.
 - A. If you see delamination or impact damage, do an ultrasonic inspection or do a tap test to find all of the damage.

NOTE: For the tap test, use a solid metal disk and tap the surface area lightly but firmly. A dull sound indicates a void area. A sharp ringing sound indicates a solid bonded area. Refer to the 767 Nondestructive Test Manual, Part 1, 51-05-01.
 - B. For areas that you suspect contain water, examine them radiographically or by thermography as shown in the 767 Nondestructive Test Manual, Part 9, 51-00-01.
3. Refer to 767 Structural Repair Manual, 57-43-00, for allowable damage data.
4. Penetrant check per 20-20-02 -- Stiffeners (192, 196, 197, 232, 250, 282, 306, 338, 358, 360, 362, 388, IPL Fig. 2), Ribs (529, 530A, 573, 575, 646, 648, 688, 690, 790, 792, 794, 796, 798, 800, 812, 814, IPL Fig. 2), Arms (752, 754, 756, 758, 772, 774, 776, 778, IPL Fig. 2), Stiffeners (192, 196, 197, 228, 246, 274, 292, 320, 340, 342, 344, 374, IPL Fig. 3) and Ribs (504, 506, 508, 510, 550, 551, 552, 553, 592, 593, 594, 595, 640, 641, 642, 643, 644, 645, 646, 647, 648, 650, 658, 660, 674, 676, IPL Fig. 3), Stiffeners (193, 197, 199, 229, 247, 275, 293, 321, 341, 343, 345, 375, IPL Fig. 4), and Ribs (525, 527, 529, 531, 569, 571, 609, 611, 657, 659, 661, 663, 665, 667, 675, 677, 691, 693, IPL Fig. 4).
5. Magnetic particle check per SOPM 20-20-01 -- Alignment fitting (268B, IPL Fig. 2), Alignment fitting (268C, IPL Fig. 3), Alignment fitting (269, IPL Fig. 4).
6. Magnetic particle check per SOPM 20-20-01, Class C -- Closure Panel Fitting (609, 610A, 651, 652A, IPL Fig. 2), Closure Panel Fitting (513A, 514A, 556A, 557A, IPL Fig. 3), Closure Panel Fitting (848, 850, IPL Fig. 4).

57-43-51

CHECK

01.1

Page 501

Mar 01/00

REPAIR – GENERAL

1. Content

A. Repair, refinish and replacement procedures are included in separate repair sections as follows:

<u>P/N</u>	<u>NAME</u>	<u>REPAIR</u>
114T4196	ACTUATOR RIB ASSEMBLY	1-1
114T4197	ACTUATOR RIB ASSEMBLY	2-1
114T4190	PIVOT FITTING ASSEMBLY	3-1
114T4191	PIVOT FITTING ASSEMBLY	4-1
114T4140	AUXILIARY ARM ASSEMBLY	5-1
114T4604 114T4605	ACTUATOR RIB ASSEMBLY	6-1
114T4404	MAIN TRACK RIB ASSEMBLY	7-1
114T4405	MAIN TRACK RIB ASSEMBLY	8-1
114T4516 114T4517	AUXILIARY RIB ASSEMBLY	9-1
---- ----	MISCELLANEOUS PARTS REFINISH	10-1
114T4180	DELETED	11-1
114T4103	OUTBD SLAT STRUCTURE ASSEMBLY NO. 3 AND 10	12-1

57-43-51

REPAIR-GENERAL

01.1

Page 601

Nov 01/00

2. Standard Practices

- A. Refer to the following standard practices as applicable, for details of procedures in individual repairs.

20-10-03 Shot Peening
20-10-06 Repair of Conductive Coatings
20-20-01 Magnetic Particle Inspection
20-20-02 Penetrant Methods of Inspection
20-30-03 General Cleaning Procedures
20-41-01 Decoding Table for Boeing Finish Codes
20-41-02 Application of Chemical and Solvent Resistant Finishes
20-42-05 Bright Cadmium Plating
20-43-01 Chromic Acid Anodizing
20-43-03 Chemical Conversion Coatings for Aluminum
20-44-01 Application of Special Purpose Coatings and Finishes
20-50-03 Bearing and Bushing Replacement
20-60-02 Finishing Materials
20-60-04 Miscellaneous Materials

3. Materials

NOTE: Equivalent substitutes can be used.

- A. Primer -- BMS 10-11, Type 1 (Ref 20-60-02)
B. Sealant -- BMS 5-95, class B (Ref 20-60-04)
C. Enamel -- BMS 10-60, Type 1 (Ref 20-60-02)

4. Dimensioning Symbols

- A. Standard True Positioning Dimensioning Symbols used in applicable Repair procedures are shown in Fig. 601.

57-43-51

REPAIR-GENERAL

01.1

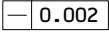
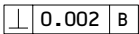
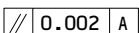
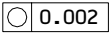
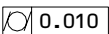
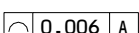
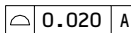
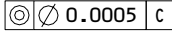
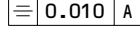
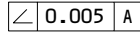
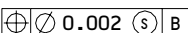
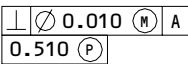
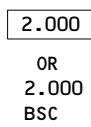
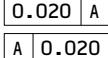
Page 602

Mar 01/04

- STRAIGHTNESS
- ▭ FLATNESS
- ⊥ PERPENDICULARITY (OR SQUARENESS)
- // PARALLELISM
- ROUNDNESS
- ⊘ CYLINDRICITY
- ⌒ PROFILE OF A LINE
- ⌒ PROFILE OF A SURFACE
- ◎ CONCENTRICITY
- ≡ SYMMETRY
- ∠ ANGULARITY
- ↗ RUNOUT
- ↗ TOTAL RUNOUT
- ⊓ COUNTERBORE OR SPOTFACE
- ∇ COUNTERSINK

- ⊕ THEORETICAL EXACT POSITION OF A FEATURE (TRUE POSITION)
- ∅ DIAMETER
- S ∅ SPHERICAL DIAMETER
- R RADIUS
- SR SPHERICAL RADIUS
- () REFERENCE
- BASIC (BSC) OR DIM A THEORETICALLY EXACT DIMENSION USED TO DESCRIBE SIZE, SHAPE OR LOCATION OF A FEATURE FROM WHICH PERMISSIBLE VARIATIONS ARE ESTABLISHED BY TOLERANCES ON OTHER DIMENSIONS OR NOTES.
- A- DATUM
- Ⓜ MAXIMUM MATERIAL CONDITION (MMC)
- Ⓛ LEAST MATERIAL CONDITION (LMC)
- Ⓢ REGARDLESS OF FEATURE SIZE (RFS)
- Ⓟ PROJECTED TOLERANCE ZONE
- FIM FULL INDICATOR MOVEMENT

EXAMPLES

<p> 0.002 STRAIGHT WITHIN 0.002</p> <p> 0.002 B PERPENDICULAR TO B WITHIN 0.002</p> <p> 0.002 A PARALLEL TO A WITHIN 0.002</p> <p> 0.002 ROUND WITHIN 0.002</p> <p> 0.010 CYLINDRICAL SURFACE MUST LIE BETWEEN TWO CONCENTRIC CYLINDERS, ONE OF WHICH HAS A RADIUS 0.010 INCH GREATER THAN THE OTHER</p> <p> 0.006 A EACH LINE ELEMENT OF THE SURFACE AT ANY CROSS SECTION MUST LIE BETWEEN TWO PROFILE BOUNDARIES 0.006 INCH APART RELATIVE TO DATUM PLANE A</p> <p> 0.020 A SURFACES MUST LIE WITHIN PARALLEL BOUNDARIES 0.02 INCH APART AND EQUALLY DISPOSED ABOUT TRUE PROFILE</p>	<p> 0.0005 C CONCENTRIC TO C WITHIN 0.0005 DIAMETER</p> <p> 0.010 A SYMMETRICAL WITH A WITHIN 0.010</p> <p> 0.005 A ANGULAR TOLERANCE 0.005 WITH A</p> <p> 0.002 S B LOCATED AT TRUE POSITION WITHIN 0.002 DIA RELATIVE TO DATUM B, REGARDLESS OF FEATURE SIZE</p> <p> 0.010 M A AXIS IS TOTALLY WITHIN A CYLINDER OF 0.010-INCH DIAMETER, PERPENDICULAR TO, AND EXTENDING 0.510-INCH ABOVE, DATUM A, MAXIMUM MATERIAL CONDITION</p> <p> 2.000 OR 2.000 BSC THEORETICALLY EXACT DIMENSION IS 2.000</p> <p> 0.020 A A 0.020</p>
<p>NOTE: DATUM MAY APPEAR AT EITHER SIDE OF TOLERANCE FRAME</p>	

True Position Dimensioning Symbols
 Figure 601

57-43-51

REPAIR-GENERAL

01.1

Page 603

Jun 01/97

ACTUATOR RIB ASSEMBLY – REPAIR 1-1

114T4196-1, -2

NOTE: Refer to Repair-GEN for List of Applicable Standard Practices.

1. Bushing Replacement (IPL Fig. 2; 527, 528A)

- A. Remove bushings.
- B. Check hole for damage and corrosion and repair, if necessary, per 2.
- C. Install bushings per 20-50-03 with wet BMS 5-95 sealant.
- D. Machine bushings per Fig. 601.
- E. Fillet seal bushing flanges with BMS 5-95 sealant as shown in SOPM 20-50-19.

2. Repair

- A. Repair hole for bushing (527, 528A).

- (1) Machine rib (529, 530A) to the repair limit to remove discrepancies per Fig. 601.
- (2) Penetrant check per 20-20-02.
- (3) Refinish per 3.A.
- (4) Fabricate oversize bushing(s) per Fig. 602 and 603.
- (5) Install the oversize bushings per par. 1.

3. Refinish

- A. Rib (529, 530A) -- Chromic acid anodize, and apply BMS 10-11, Type 1 primer (F-18.13). Do not apply primer in the hole for the bushing.
Material: Al Alloy.

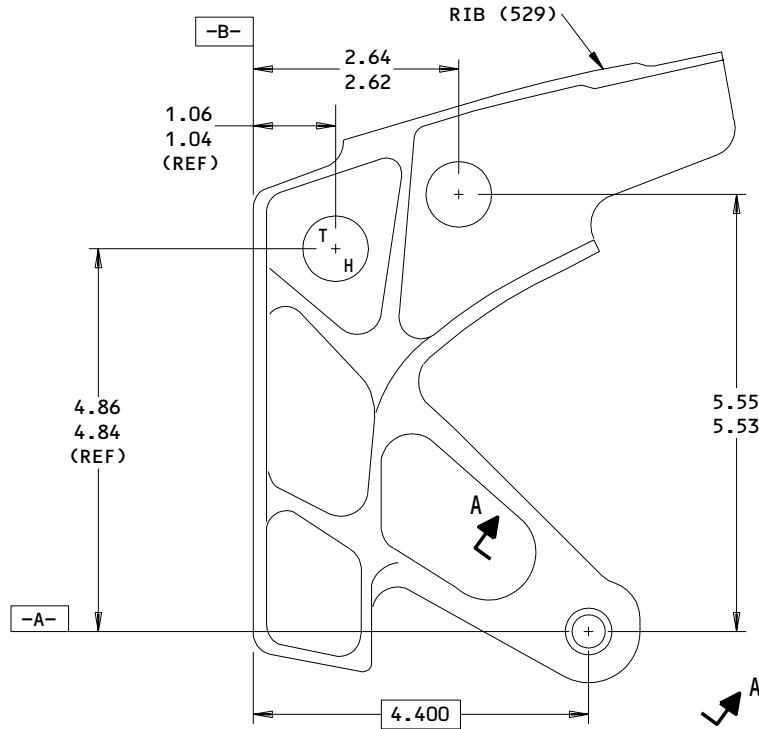
57-43-51

REPAIR 1-1

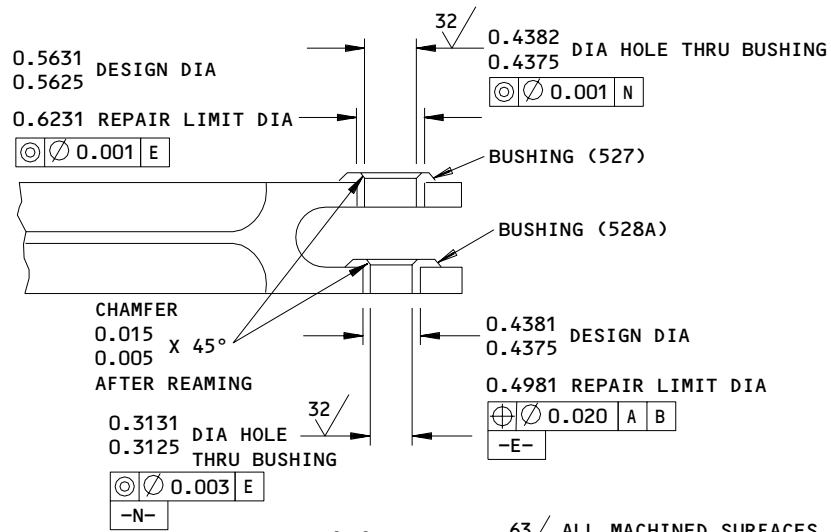
01.1

Page 601

Mar 01/04



114T4196-1 SHOWN
 114T4196-2 OPPOSITE



63/ ALL MACHINED SURFACES UNLESS SHOWN DIFFERENTLY

MATERIAL: ALUMINUM ALLOY
 ITEM NUMBERS REFER TO IPL FIG. 1
 ALL DIMENSIONS ARE IN INCHES

114T4196-1,-2
 Actuator Rib Assembly Repair
 Figure 601

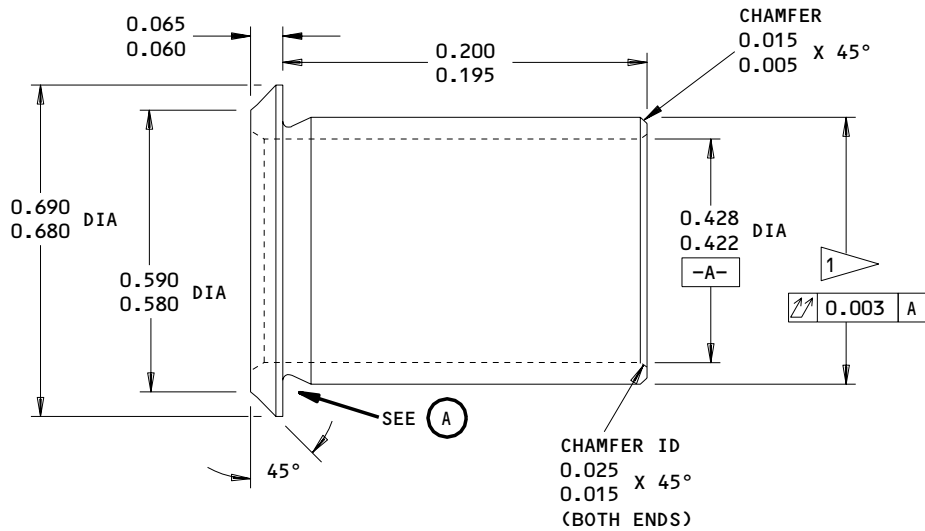
57-43-51

REPAIR 1-1

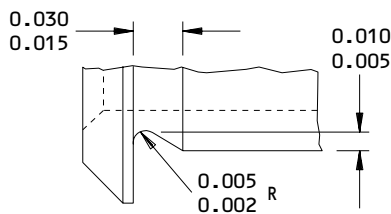
01.1

Page 602

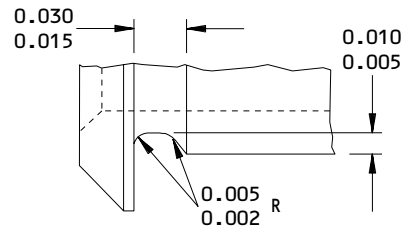
Mar 01/04



REPLACEMENT BUSHING FOR BUSHING (527)



TYPE 1



TYPE 2

UNDERCUT TYPE 1 OR TYPE 2 OPTIONAL

(A)

1 FINAL BUSHING OUTSIDE DIAMETER EQUALS REPAIR DIAMETER OF RIB PLUS 0.0005-0.0017 INTERFERENCE

63/ ALL MACHINED SURFACES UNLESS SHOWN DIFFERENTLY

ANGULAR TOLERANCE, ± 0.50 DEG

MATERIAL: AL-NI-BR PER AMS 4640

FINISH: CADMIUM PLATE PER SOPM 20-42-05, TYPE 2 CLASS 2. PLATING IN BORE OPTIONAL

ALL DIMENSIONS ARE IN INCHES

DIMENSIONS APPLY AFTER PLATING

Oversize Bushing Details
 Figure 602

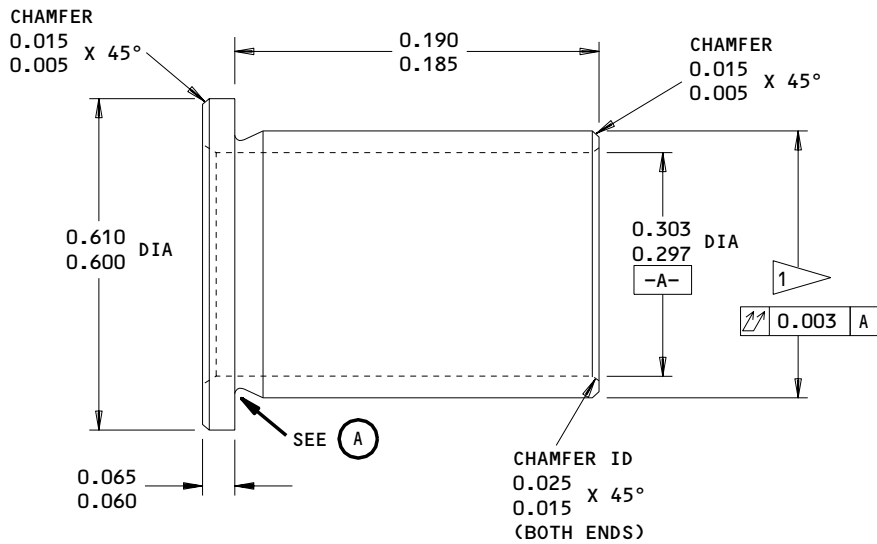
57-43-51

REPAIR 1-1

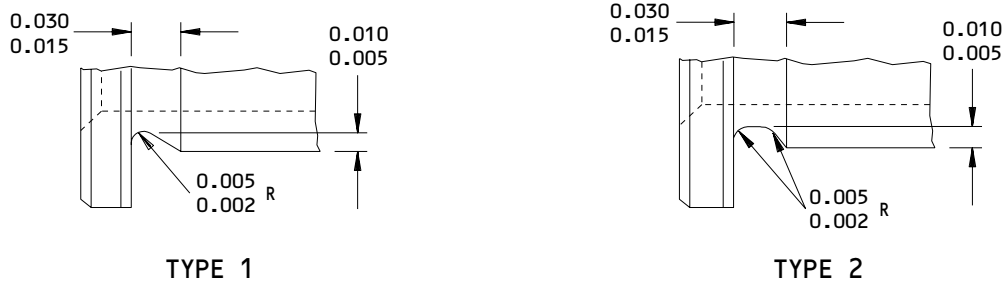
01.1

Page 603

Mar 01/04



REPLACEMENT BUSHING FOR BUSHING (528A)



UNDERCUT TYPE 1 OR TYPE 2 OPTIONAL

(A)

1 FINAL BUSHING OUTSIDE DIAMETER EQUALS REPAIR DIAMETER OF RIB PLUS 0.0003-0.0015 INTERFERENCE

63/ ALL MACHINED SURFACES UNLESS SHOWN DIFFERENTLY

ANGULAR TOLERANCE, ± 0.50 DEG

MATERIAL: 15-5PH CRES, 180-200 KSI

FINISH: CADMIUM PLATE PER SOPM 20-42-05, TYPE 2 CLASS 2, PLATING IN BORE OPTIONAL

ALL DIMENSIONS ARE IN INCHES

DIMENSIONS APPLY AFTER PLATING

Oversize Bushing Details
 Figure 603

57-43-51

REPAIR 1-1

01.1

Page 604

Mar 01/04

ACTUATOR RIB ASSEMBLY – REPAIR 2-1

114T4197-1, -2

NOTE: Refer to REPAIR-GEN for list of applicable standard practices.

1. Bushing Replacement (IPL Fig. 2; 569, 571)

- A. Remove the old bushings.
- B. If you find defects on the hole surfaces, refer to par. 2 for repair instructions.
- C. Install bushings per 20-50-03 with wet BMS 5-95 sealant.
- D. Machine bushings per Fig. 601.
- E. Fillet seal bushing flanges with BMS 5-95 sealant as shown in SOPM 20-50-19.

2. Repair Hole for Bushing (569, 571) (Fig. 601)

- A. Machine the hole to the repair limit to remove defects.
- B. Penetrant examine per 20-20-02.
- C. Refinish per par. 3.A.
- D. Make oversize bushing(s) per Fig. 602 and 603.
- E. Install the oversize bushings per par. 1.

3. Refinish

- A. Rib (573, 575) -- Chromic acid anodize and apply BMS 10-11, Type 1 primer (F-18.13). Do not apply primer in the holes for the bushing.
Material: Al Alloy.

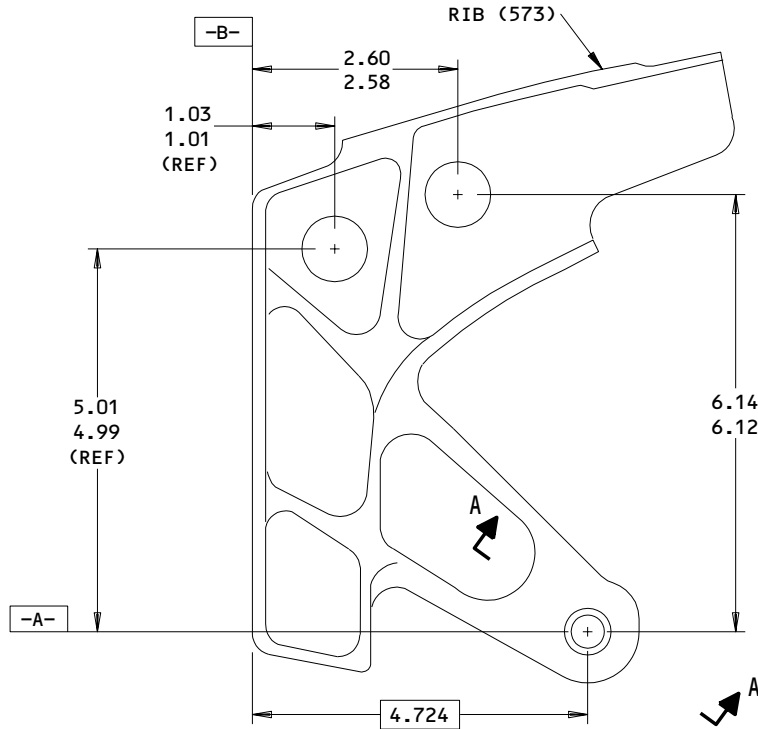
57-43-51

REPAIR 2-1

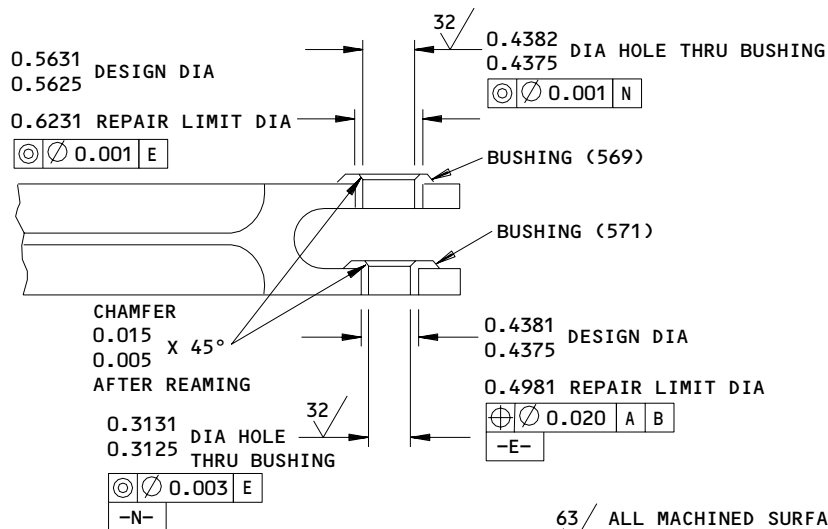
Page 601

Mar 01/04

01.1



114T4197-1 SHOWN
 114T4197-2 OPPOSITE



63/ ALL MACHINED SURFACES UNLESS SHOWN DIFFERENTLY

MATERIAL: ALUMINUM ALLOY
 ITEM NUMBERS REFER TO IPL FIG. 1
 ALL DIMENSIONS ARE IN INCHES

114T4197-1,-2
 Actuator Rib Assembly Repair
 Figure 601

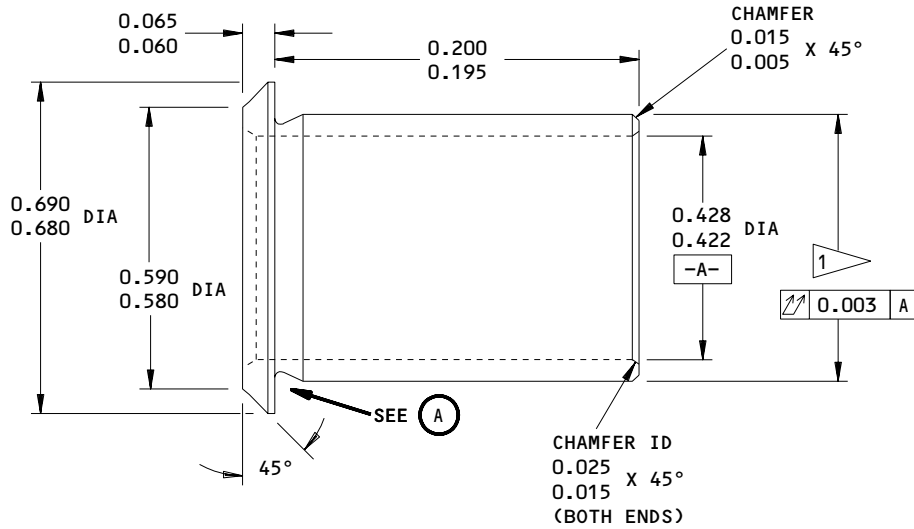
57-43-51

REPAIR 2-1

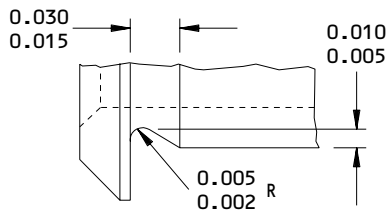
01.1

Page 602

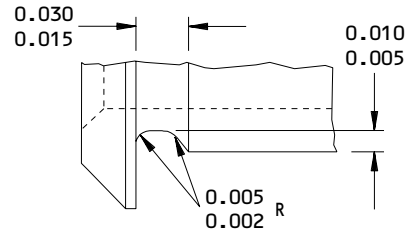
Mar 01/04



REPLACEMENT BUSHING FOR BUSHING (569)



TYPE 1



TYPE 2

UNDERCUT TYPE 1 OR TYPE 2 OPTIONAL



1 FINAL BUSHING OUTSIDE DIAMETER
 EQUALS REPAIR DIAMETER OF RIB
 PLUS 0.0005-0.0017 INTERFERENCE

63/ ALL MACHINED SURFACES UNLESS SHOWN
 DIFFERENTLY

ANGULAR TOLERANCE, ± 0.50 DEG

MATERIAL: AL-NI-BR PER AMS 4640

FINISH: CADMIUM PLATE PER SOPM 20-42-05, TYPE 2
 CLASS 2. PLATING IN BORE OPTIONAL

ALL DIMENSIONS ARE IN INCHES

DIMENSIONS APPLY AFTER PLATING

Oversize Bushing Details
 Figure 602

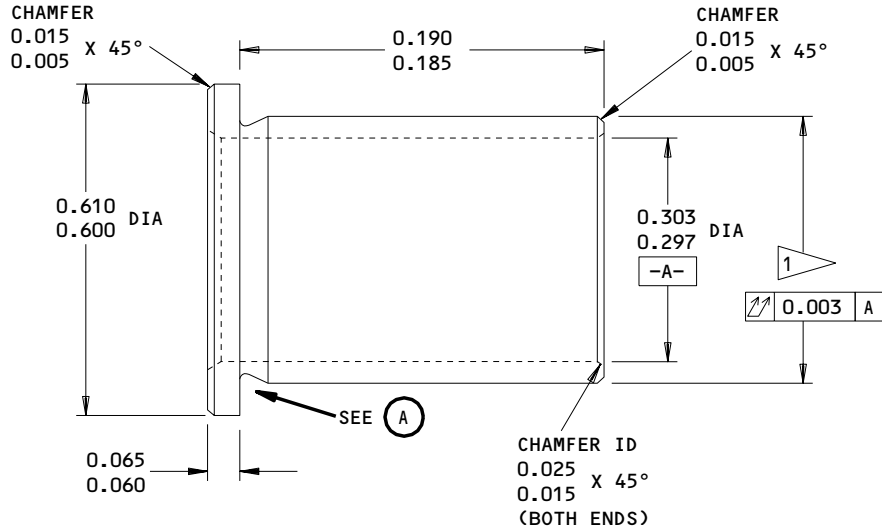
57-43-51

REPAIR 2-1

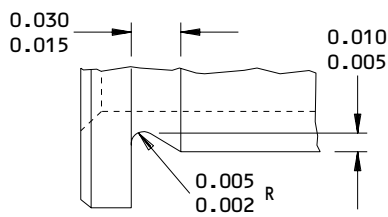
01.1

Page 603

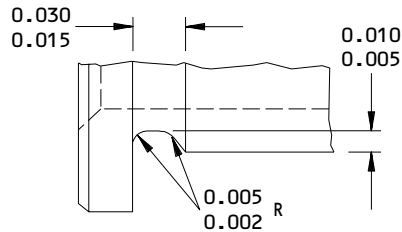
Mar 01/04



REPLACEMENT BUSHING FOR BUSHING (571)



TYPE 1



TYPE 2

UNDERCUT TYPE 1 OR TYPE 2 OPTIONAL



1 FINAL BUSHING OUTSIDE DIAMETER
 EQUALS REPAIR DIAMETER OF RIB
 PLUS 0.0003-0.0015 INTERFERENCE

63 ALL MACHINED SURFACES UNLESS SHOWN
 DIFFERENTLY

ANGULAR TOLERANCE, ± 0.50 DEG

MATERIAL: 15-5PH CRES, 180-200 KSI

FINISH: CADMIUM PLATE PER SOPM 20-42-05, TYPE 2
 CLASS 2, PLATING IN BORE OPTIONAL

ALL DIMENSIONS ARE IN INCHES

DIMENSIONS APPLY AFTER PLATING

Oversize Bushing Details
Figure 603

57-43-51

REPAIR 2-1

01.1

Page 604

Mar 01/04

PIVOT FITTING ASSEMBLY – REPAIR 3-1

114T4190-1, -2

NOTE: Refer to REPAIR-GEN for list of applicable standard practices.

1. Bushing Replacement (IPL Fig. 2; 628A, 629) (IPL Fig. 3, 531, 532A)
 - A. Remove bushings.
 - B. If you find defects on the hole surfaces, refer to par. 2 for repair instructions.
 - C. Install bushings per 20-50-03 with wet BMS 5-95 sealant.
 - D. Machine bushings per Fig. 601.
 - E. Fillet seal bushing flanges with BMS 5-95 sealant as shown in SOPM 20-50-19.
2. Repair Hole for Bushing (IPL Fig. 2, 628A, 629) (IPL Fig. 3, 531, 532A) (Fig. 601)
 - A. Machine the hole to the repair limits to remove defects.
 - B. Penetrant examine per 20-20-02.
 - C. Shot peen holes as indicated.
 - D. Refinish per par. 3.A.
 - E. Make oversize bushing(s) per Fig. 602 and 603.
 - F. Install the oversize bushings per par. 1.
3. Refinish
 - A. Fitting (IPL Fig. 2; 630A, 631) (IPL Fig. 3; 533, 534A) — Chromic acid anodize (F-17.04) and apply BMS 10-11, Type 1 primer (F-20.02) but no primer in bushing installation holes. Material: Al Alloy.

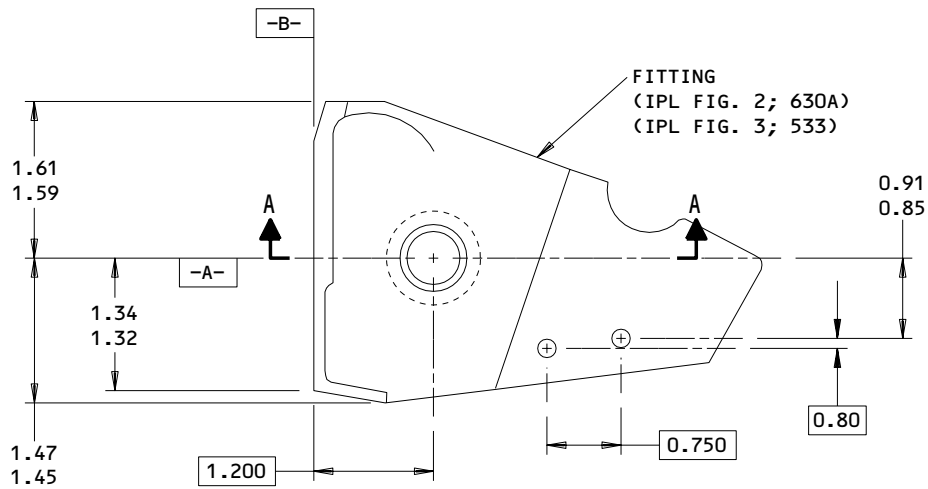
57-43-51

REPAIR 3-1

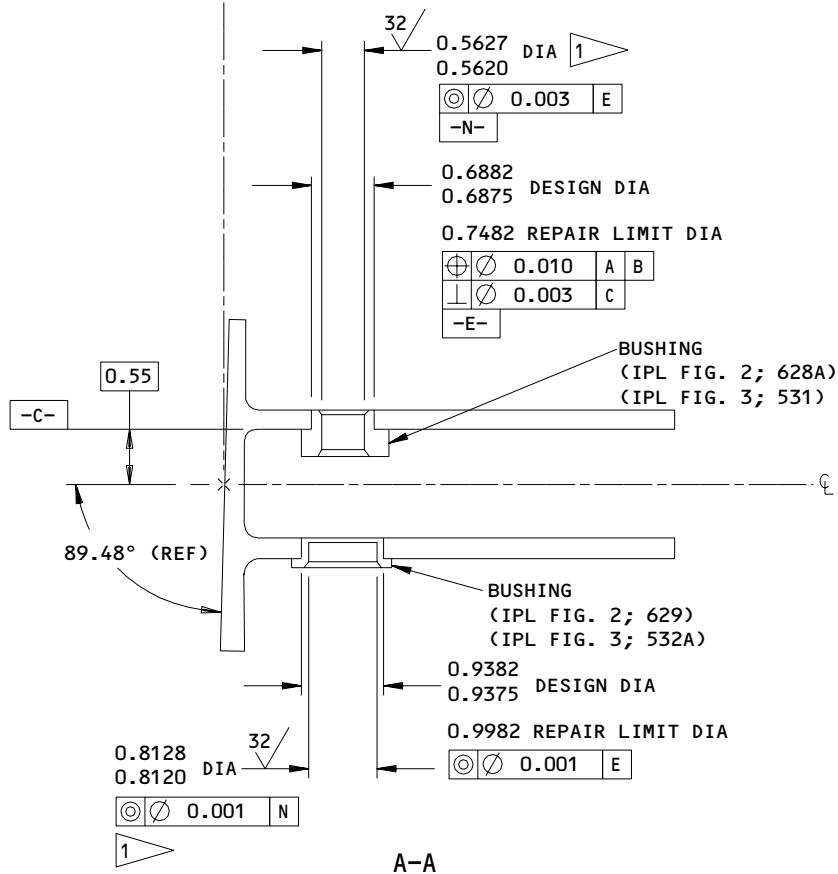
01.1

Page 601

Mar 01/04



114T4190-1 SHOWN
 114T4190-2 OPPOSITE



114T4190-1,-2
 Pivot Fitting Assembly Repair
 Figure 601 (Sheet 1)

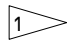
57-43-51

REPAIR 3-1
 Page 602
 Mar 01/04

01.1

015T0165
015T1507
114T4103
DASH NUMBERS LIMITED

 **BOEING**
COMPONENT
MAINTENANCE MANUAL

 CHAMFER 0.015 X 45°
0.005
AFTER REAMING
(BOTH SIDES)

63/ ALL MACHINED SURFACES UNLESS SHOWN
DIFFERENTLY

SHOT PEEN (MANUAL PEEN OPTIONAL):
0.0230-0.0550 SHOT SIZE
0.006 A INTENSITY
2.0 COVERAGE

MATERIAL: ALUMINUM ALLOY

ALL DIMENSIONS ARE IN INCHES

114T4190-1,-2
Pivot Fitting Assembly Repair
Figure 601 (Sheet 2)

57-43-51

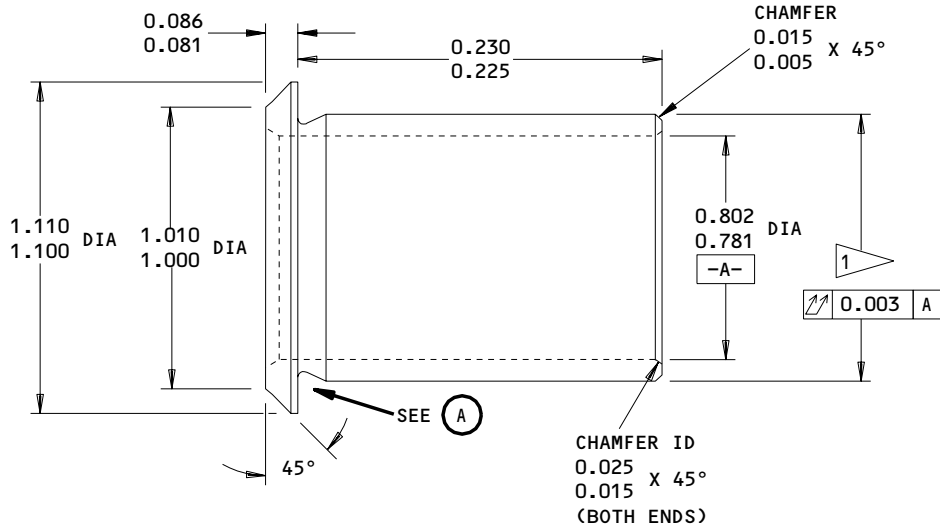
REPAIR 3-1

01.1

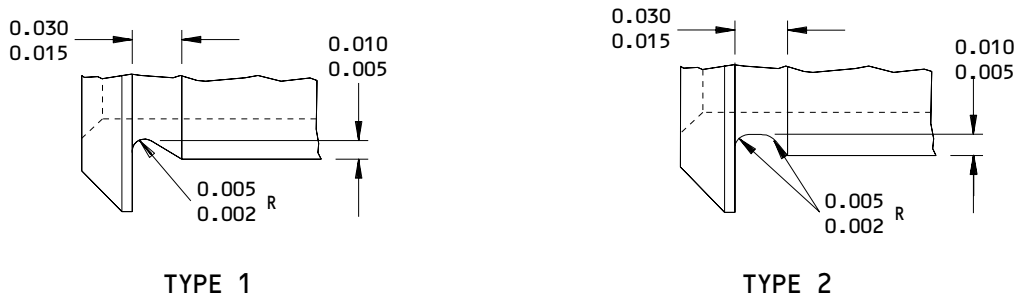
Page 603

Mar 01/04

1467046



REPLACEMENT BUSHING FOR BUSHINGS
 (IPL FIG. 2; 629)
 (IPL FIG. 3; 532A)



UNDERCUT TYPE 1 OR TYPE 2 OPTIONAL

(A)

1 FINAL BUSHING OUTSIDE DIAMETER
 EQUALS REPAIR DIAMETER OF RIB
 PLUS INTERFERENCE OF 0.0007-0.0021

63/ ALL MACHINED SURFACES UNLESS SHOWN
 DIFFERENTLY

ANGULAR TOLERANCE, ± 0.50 DEG

MATERIAL: AL-NI-BR PER AMS 4640

FINISH: CADMIUM PLATE PER SOPM 20-42-05, TYPE 2,
 CLASS 2. PLATING BORE OPTIONAL

ALL DIMENSIONS ARE IN INCHES

DIMENSIONS APPLY AFTER PLATING

Oversize Bushing Details
Figure 602

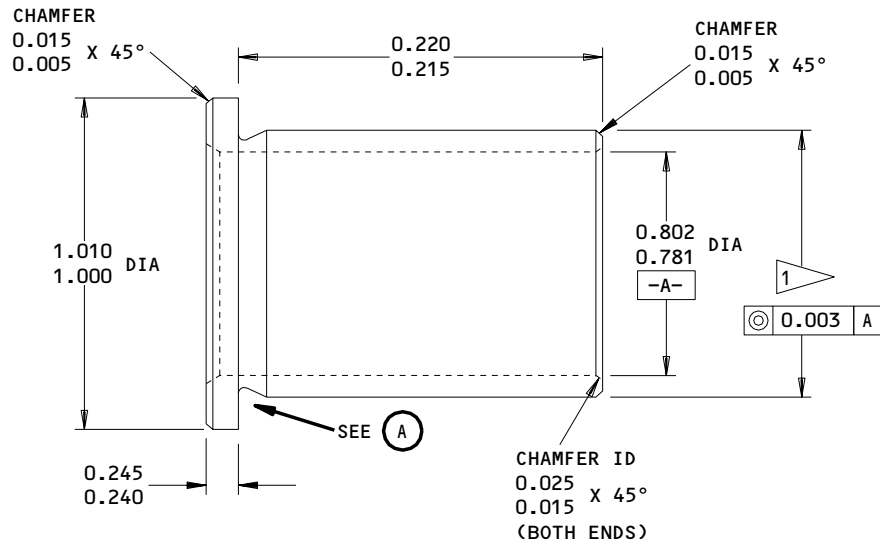
57-43-51

REPAIR 3-1

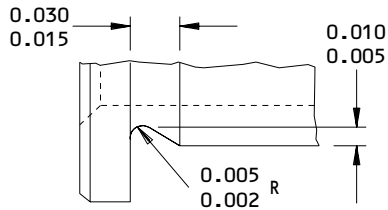
01.1

Page 604

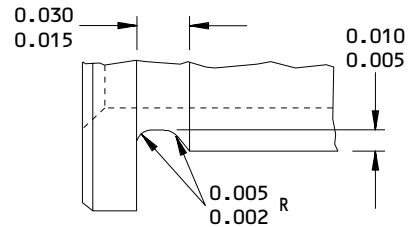
Mar 01/04



REPLACEMENT BUSHING FOR BUSHINGS
 (IPL FIG. 2; 628A)
 (IPL FIG. 3; 531)



TYPE 1



TYPE 2

UNDERCUT TYPE 1 OR TYPE 2 OPTIONAL



1 FINAL BUSHING OUTSIDE DIAMETER
 EQUALS REPAIR DIAMETER OF RIB
 PLUS INTERFERENCE OF 0.0005-0.0019

63/ ALL MACHINED SURFACES UNLESS SHOWN
 DIFFERENTLY

ANGULAR TOLERANCE, ± 0.50 DEG

CHECK: MAGNETIC PARTICLE PER SOPM 20-20-01,
 CLASS C AFTER MACHINING

MATERIAL: 15-5PH CRES, 180-200 KSI

FINISH: CADMIUM PLATE PER SOPM 20-42-05, TYPE 2,
 CLASS 2. PLATING BORE OPTIONAL

ALL DIMENSIONS ARE IN INCHES

DIMENSIONS APPLY AFTER PLATING

Oversize Bushing Details
 Figure 603

57-43-51

REPAIR 3-1

01.1

Page 605

Mar 01/04

PIVOT FITTING ASSEMBLY – REPAIR 4-1

114T4191-1, -2

NOTE: Refer to REPAIR-GEN for list of applicable standard practices.

1. Bushing Replacement (IPL Fig. 2; 670A, 671) (IPL Fig. 3; 574A, 575)
 - A. Remove bushings.
 - B. Check holes for damage or corrosion and repair, if necessary, per 2.
 - C. Install bushings per 20-50-03 with wet BMS 5-95 sealant.
 - D. Machine bushings per Fig. 601.
 - E. Fillet seal bushing flanges with BMS 5-95 sealant as shown in SOPM 20-50-19.
2. Repair
 - A. Repair hole for bushing (Fig. 2; 670A, 671) (IPL Fig. 3; 574A, 575).
 - (1) Machine fitting (Fig. 2; 672A, 673) (IPL Fig. 3; 576A, 577) to the repair limit to remove discrepancies per Fig. 601.
 - (2) Penetrant check per 20-20-02.
 - (3) Shot peen per 20-10-03 and Fig. 601.
 - (4) Refinish per 3.A.
 - (5) Fabricate oversize bushing(s) per Fig. 602 and 603.

57-43-51

REPAIR 4-1

01.1

Page 601

Mar 01/04

| (6) Install the oversize bushing per par. 1.

3. Refinish

| A. Fitting (Fig. 2; 672A, 673) (IPL Fig. 3; 576A, 577) -- Chromic acid anodize, type 1 (F-17.04) and apply one coat of BMS 10-11, Type 1 primer (F-20.02) except no primer in bushing installation hole. Material: Al Alloy.

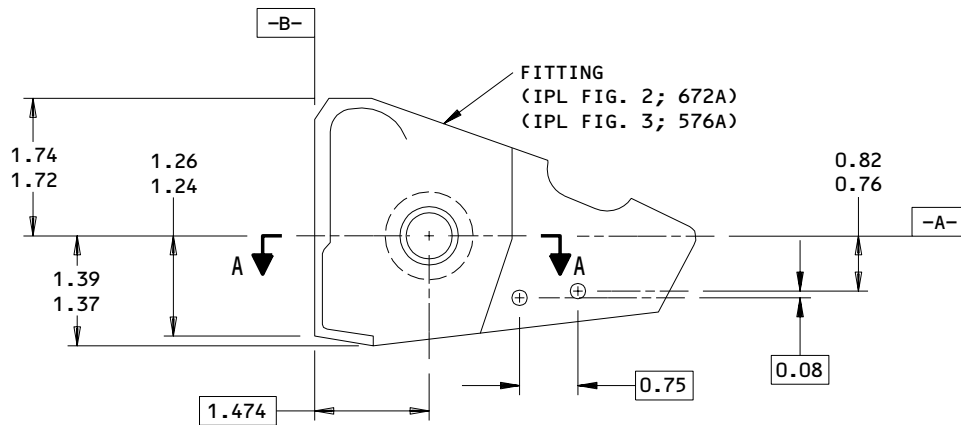
57-43-51

REPAIR 4-1

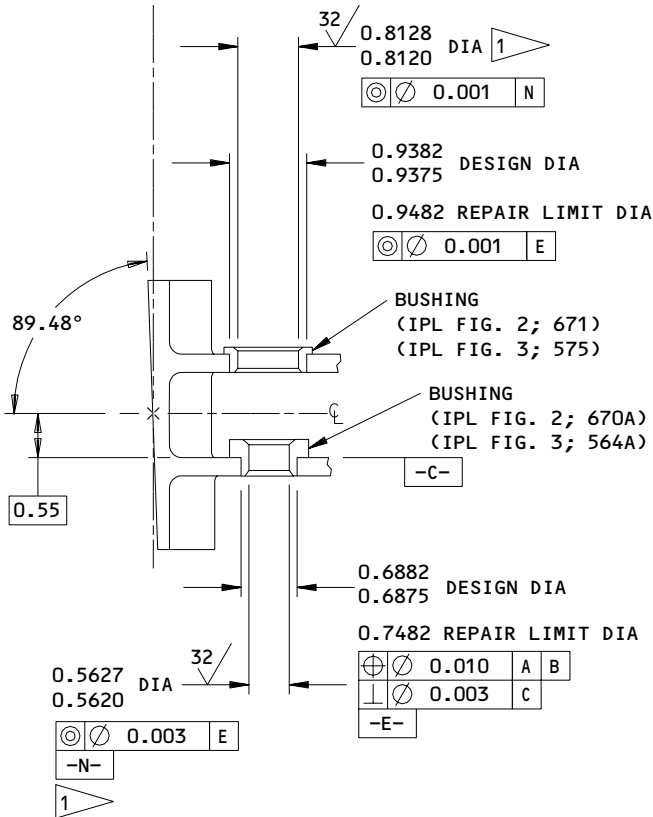
01.1

Page 602

Mar 01/04



114T4191-1 SHOWN
 114T4191-2 OPPOSITE



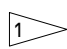
A-A

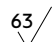
114T4191-1,-2
 Pivot Fitting Assembly Repair
 Figure 601 (Sheet 1)

57-43-51

REPAIR 4-1
 Page 603
 Mar 01/04

01.1

 CHAMFER 0.015
0.005 X 45°
AFTER REAMING
(BOTH SIDES)

 ALL MACHINED SURFACES UNLESS SHOWN
DIFFERENTLY

SHOT PEEN (MANUAL PEEN OPTIONAL):
0.0230-0.055 SHOT SIZE
0.006 A INTENSITY
2.0 COVERAGE

MATERIAL: ALUMINUM ALLOY

ALL DIMENSIONS ARE IN INCHES

114T4191-1,-2
Pivot Fitting Assembly Repair
Figure 601 (Sheet 2)

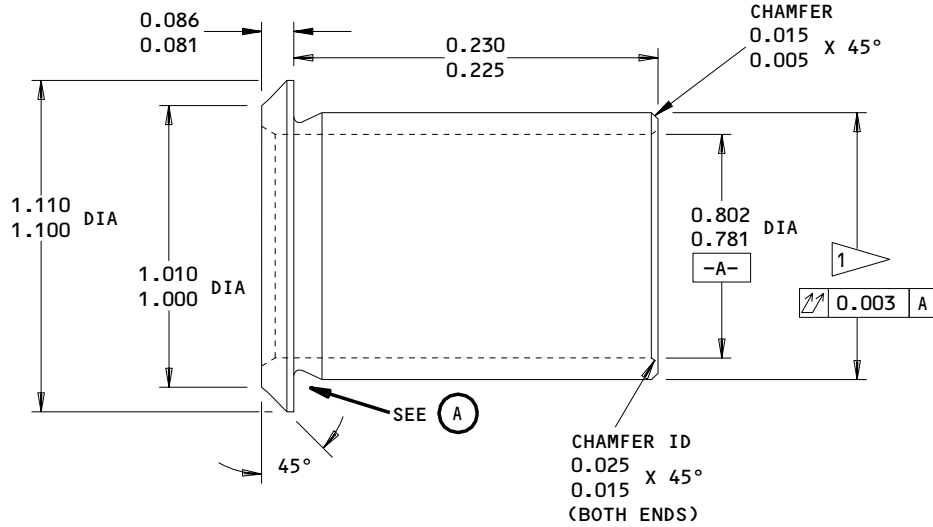
57-43-51

REPAIR 4-1

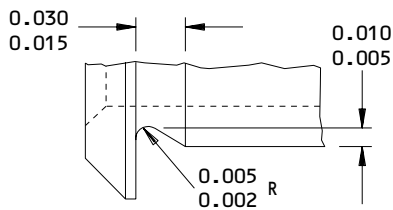
Page 604

Mar 01/04

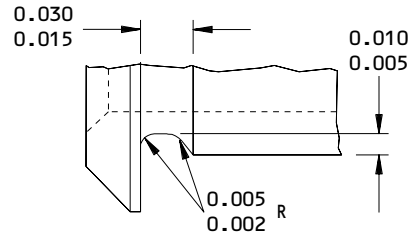
01.1



REPLACEMENT BUSHING FOR BUSHINGS
 (IPL FIG. 2; 671)
 (IPL FIG. 3; 575)



TYPE 1



TYPE 2

UNDERCUT TYPE 1 OR TYPE 2 OPTIONAL



1 FINAL BUSHING OUTSIDE DIAMETER
 EQUALS REPAIR DIAMETER OF RIB
 PLUS INTERFERENCE OF 0.0007-0.0021

63/ ALL MACHINED SURFACES UNLESS SHOWN
 DIFFERENTLY

ANGULAR TOLERANCE, ±0.50 DEG

MATERIAL: AL-NI-BR PER AMS 4640

FINISH: CADMIUM PLATE PER SOPM 20-42-05, TYPE 2,
 CLASS 2. PLATING BORE OPTIONAL

ALL DIMENSIONS ARE IN INCHES

DIMENSIONS APPLY AFTER PLATING

Oversize Bushing Details
 Figure 602

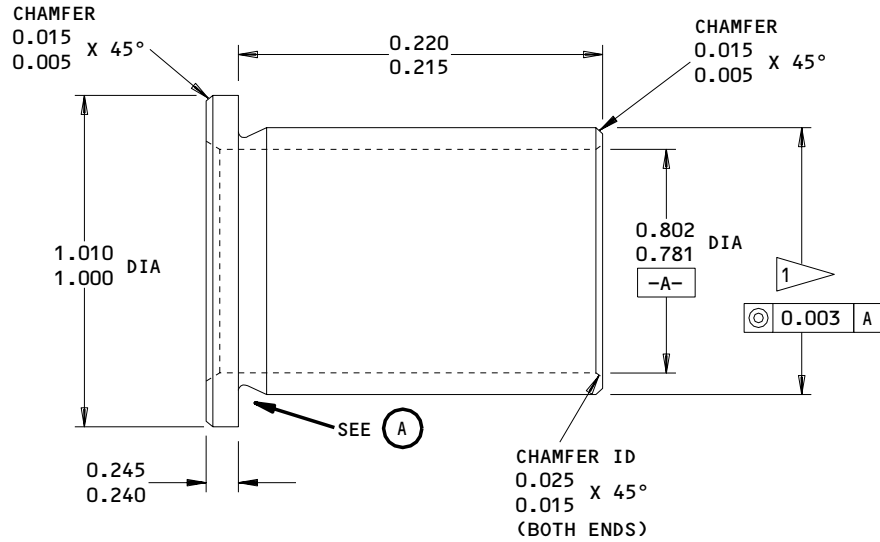
57-43-51

REPAIR 4-1

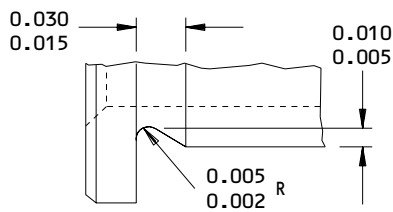
01.1

Page 605

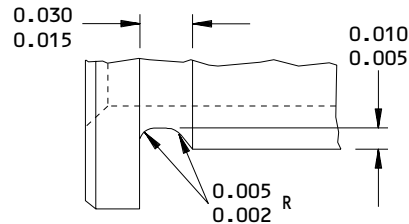
Mar 01/04



REPLACEMENT BUSHING FOR BUSHINGS
 (IPL FIG. 2; 670A)
 (IPL FIG. 3; 574A)



TYPE 1



TYPE 2

UNDERCUT TYPE 1 OR TYPE 2 OPTIONAL



1 FINAL BUSHING OUTSIDE DIAMETER
 EQUAL REPAIR DIAMETER OF RIB
 PLUS INTERFERENCE OF 0.0005-0.0019

63/ ALL MACHINED SURFACES UNLESS SHOWN
 DIFFERENTLY

ANGULAR TOLERANCE, ± 0.50 DEG

CHECK: MAGNETIC PARTICLE PER SOPM 20-20-01,
 CLASS C AFTER MACHINING

MATERIAL: 15-5PH CRES, 180-200 KSI

FINISH: CADMIUM PLATE PER SOPM 20-42-05, TYPE 2,
 CLASS 2. PLATING BORE OPTIONAL

ALL DIMENSIONS ARE IN INCHES

DIMENSIONS APPLY AFTER PLATING

Oversize Bushing Details
Figure 603

57-43-51

REPAIR 4-1

01.1

Page 606

Mar 01/04

AUXILIARY ARM AND RIB ASSEMBLY – REPAIR 5-1

114T4140-113,-114,-115,-116,-121,-122,-123,-124

NOTE: Refer to REPAIR-GEN for list of applicable standard practices.

1. Bushing Replacement (IPL Fig. 2; 750A, 770A)

- A. Remove bushings.
- B. If you find defects on the hole surfaces, refer to par. 2 for repair instructions.
- C. Install bushings per 20-50-03 with wet BMS 5-95 sealant.
- D. Machine bushing per Fig. 601.
- E. Fill gap between rub plate (724A, 725) and bushing flanges with BMS 5-95 sealant as shown in SOPM 20-50-19.

2. Hole for Bushing (750A, 770A) (Fig. 601)

- A. Machine the hole surfaces to the repair limits to remove defects.
- B. Penetrant examine per 20-20-02.
- C. Refinish per par. 3.A.
- D. Make oversize bushing(s) per Fig. 602.
- E. Install the oversize bushings per par. 1.

3. Refinish

- A. Arm (752, 754, 756, 758, 772, 774, 776, 778) -- Chromic acid anodize and apply BMS 10-11, Type 1 primer (F-18.13). No finish in bushing installation holes. Material: Al Alloy.

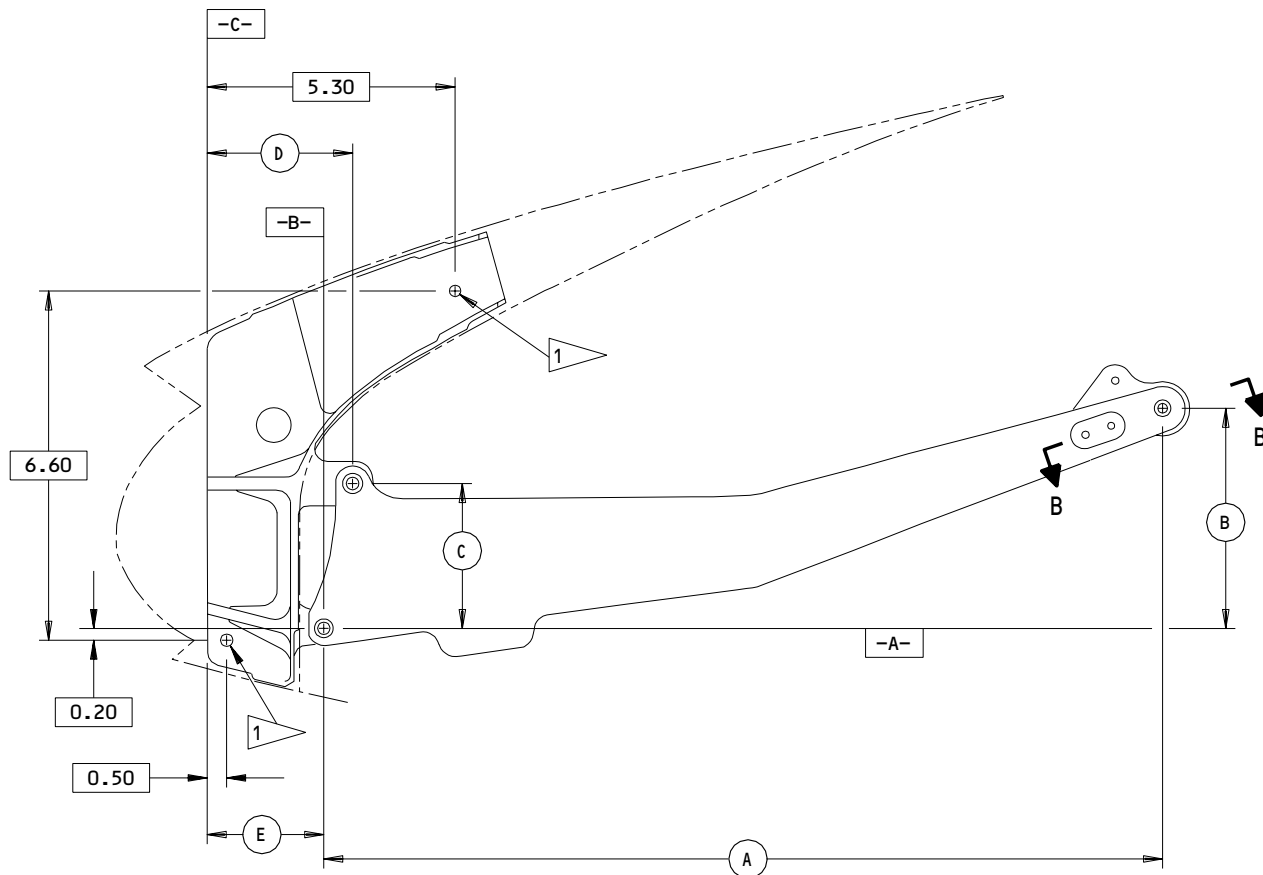
57-43-51

REPAIR 5-1

01.1

Page 601

Mar 01/04



114T4510-29,-31 SHOWN
 114T4510-30,-32 OPPOSITE

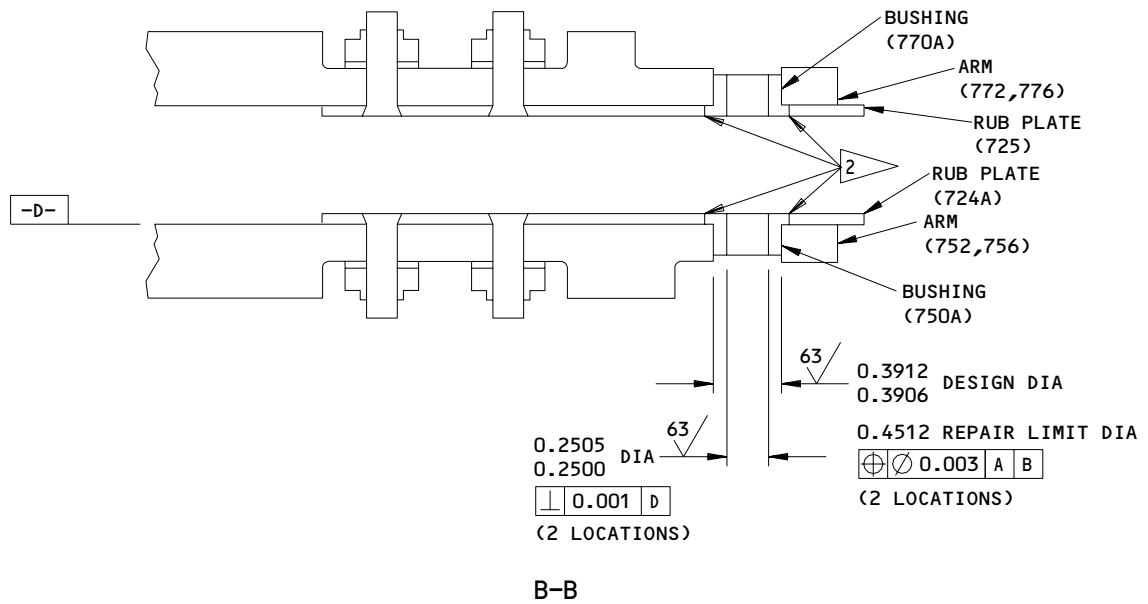
AUXILIARY ARM AND RIB ASSEMBLY ITEM NO. (IPL FIG. 2)	(A) BASIC	(B) BASIC	(C)	(D)	(E)
692	19.043	4.841	3.12 3.10	2.72 2.70	2.31 2.29
696	19.180	4.879	3.13 3.11	2.64 2.62	2.31 2.29

114T4510-29,-30,-31,-32
 Auxiliary Arm and Rib Assembly Bushing Replacement
 Figure 601 (Sheet 1)

57-43-51

REPAIR 5-1
 Page 602
 Mar 01/04

01.1



1 TOOL HOLE (REF)
 ⊕ ⊖ 0.005 A C

2 FILL GAP WITH SEALANT, BMS 5-95

ALL DIMENSIONS ARE IN INCHES
 ITEM NUMBERS REFER TO IPL FIG. 2

114T4510-29,-30,-31,-32
 Auxiliary Arm and Rib Assembly Bushing Replacement
 Figure 601 (Sheet 2)

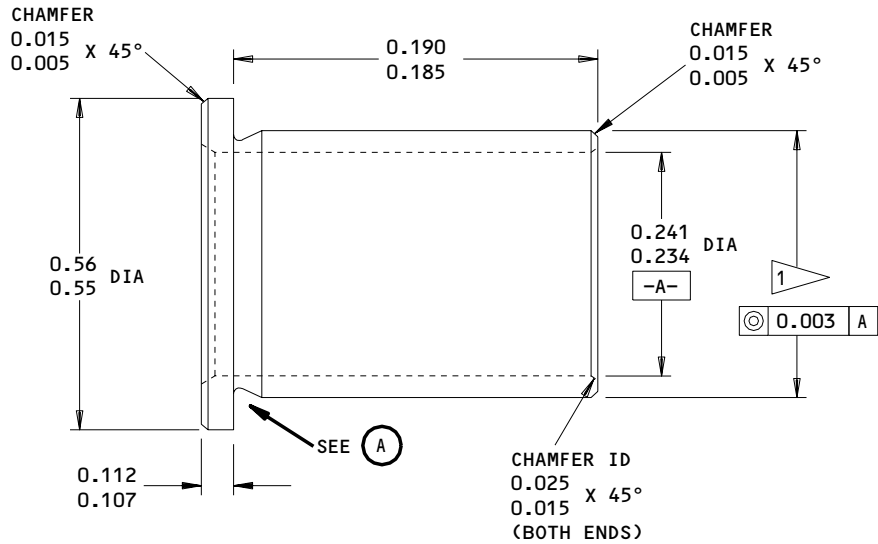
57-43-51

REPAIR 5-1

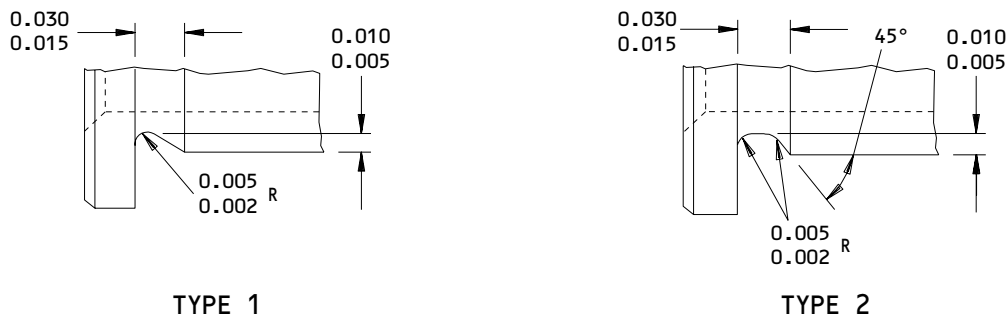
01.1

Page 603

Mar 01/04



REPLACEMENT BUSHING FOR BUSHING (750A,770A)



TYPE 1

TYPE 2

UNDERCUT TYPE 1 OR TYPE 2 OPTIONAL

(A)

1 FINAL BUSHING OUTSIDE DIAMETER
 EQUALS REPAIR DIAMETER OF ARM
 PLUS 0.0003-0.0015 INTERFERENCE

63/ ALL MACHINED SURFACES UNLESS SHOWN
 DIFFERENTLY

ANGULAR TOLERANCE, ± 0.50 DEG

CHECK: MAGNETIC PARTICLE PER SOPM 20-20-01,
 CLASS C AFTER MACHINING

MATERIAL: 15-5PH CRES, 180-200 KSI

FINISH: CADMIUM PLATE PER SOPM 20-42-05, TYPE 2,
 CLASS 2. PLATING IN BORE OPTIONAL

ITEM NUMBERS REFER TO IPL FIG. 2

ALL DIMENSIONS ARE IN INCHES

DIMENSIONS APPLY AFTER PLATING

Oversize Bushing Details
 Figure 602

57-43-51

REPAIR 5-1

01.1

Page 604

Mar 01/04

ACTUATOR RIB ASSEMBLY – REPAIR 6-1

114T4604-13,-14,-21,-22, -25, -26, -401, -402
114T4605-13,-14,-21,-22, -25, -26, -401, -402

NOTE: Refer to REPAIR-GENERAL for a list a of applicable standard practices.

1. Bushing Replacement (IPL Fig. 3; 490, 492) (IPL Fig. 4; 511, 511A, 513, 513A)

- A. Remove bushings from the rib (IPL Fig. 3; 504, 506, 508, 510) (IPL Fig. 4; 525, 527, 529, 531).
- B. Check the hole for damage or corrosion and if necessary, repair it as specified in par. 2.A.
- C. Install bushings as shown in SOPM 20-50-03 with wet BMS 5-95 sealant.
- D. Machine bushings as shown in Fig. 601.
- E. Fillet seal bushing flanges with BMS 5-95 sealant as shown in SOPM 20-50-19.

2. Oversized Bushing Repair

- A. Repair hole for bushing (Fig. 3, 490, 492) (IPL Fig. 4; 511, 511A, 513, 513A).
 - (1) Machine the worn or damaged hole in the rib (IPL Fig. 3; 504, 506, 508, 510) (IPL Fig. 4; 525, 527, 529, 531) to remove defects, cracks, and/or corrosion, to the repair limit shown in Fig. 601.
 - (2) Do a penetrant check of the machined hole as specified by SOPM 20-20-02.
 - (3) Refinish the machined hole as specified in par. 3.A.
- B. Make an oversize bushing for bushing (IPL Fig. 3; 490, 492) (IPL Fig. 4; 511, 511A, 513, 513A) as shown in Fig. 602 or 603.

57-43-51

REPAIR 6-1

01.1

Page 601

Mar 01/04

C. Install the oversize bushing as shown in steps 1.C. through 1.E.

3. Refinish

- A. Rib (IPL Fig. 3; 504, 506, 508, 510) (IPL Fig. 4; 525, 527, 529, 531) -- Anodize (F-17.04) or (F-17.31) and apply one layer of BMS 10-11, Type 1 primer (F-20.02), except do not apply primer in the holes for the bushings. Optional: For bushing holes and touch-up of small areas of bare metal, apply colored chemical coating (F-17.10) instead of anodize. Material: Al alloy.
- B. Shim (IPL Fig. 3; 502) (IPL Fig. 4; 523) -- Treat surface, colored coating. Apply a layer of BMS 10-11, Type 1 primer (F-18.06). Optional: Manual application of colored coating (F-17.10) and apply a layer of BMS 10-11, Type 1 primer (F-20.02).

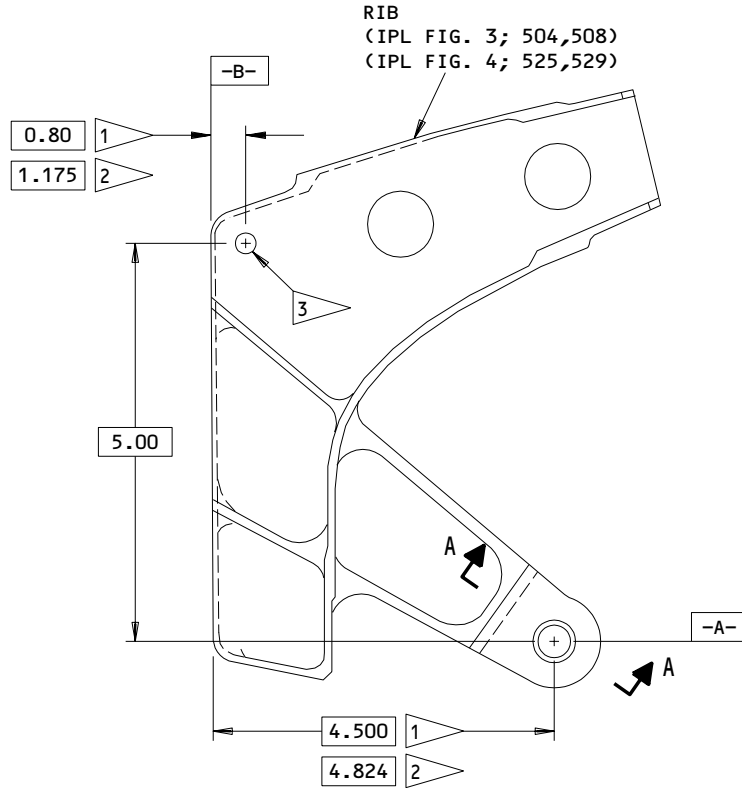
57-43-51

REPAIR 6-1

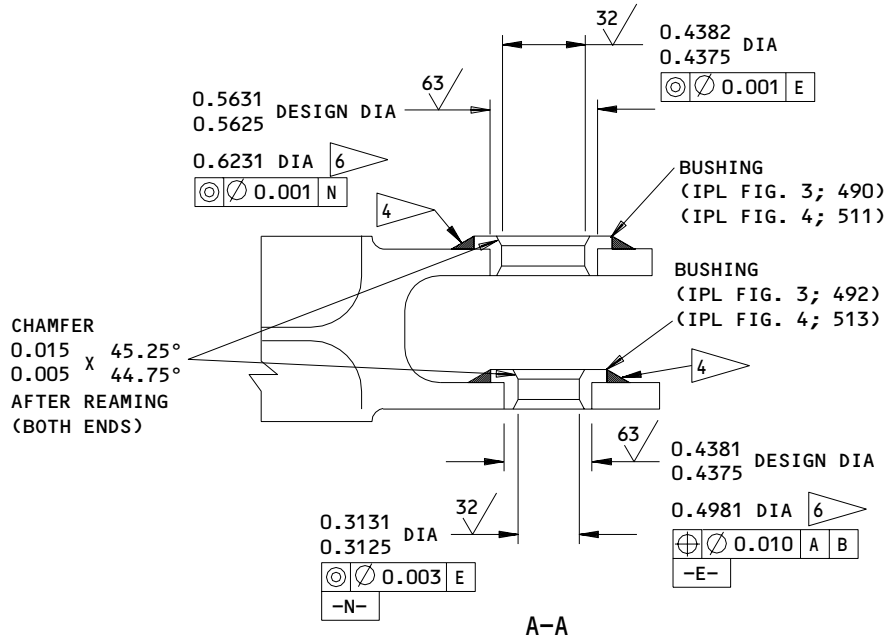
01.1

Page 602

Mar 01/04



114T4604-13,-21,-25; 114T4605-13,-21,-25 SHOWN
 114T4604-14,-22,-26; 114T4605-14,-22,-26 OPPOSITE

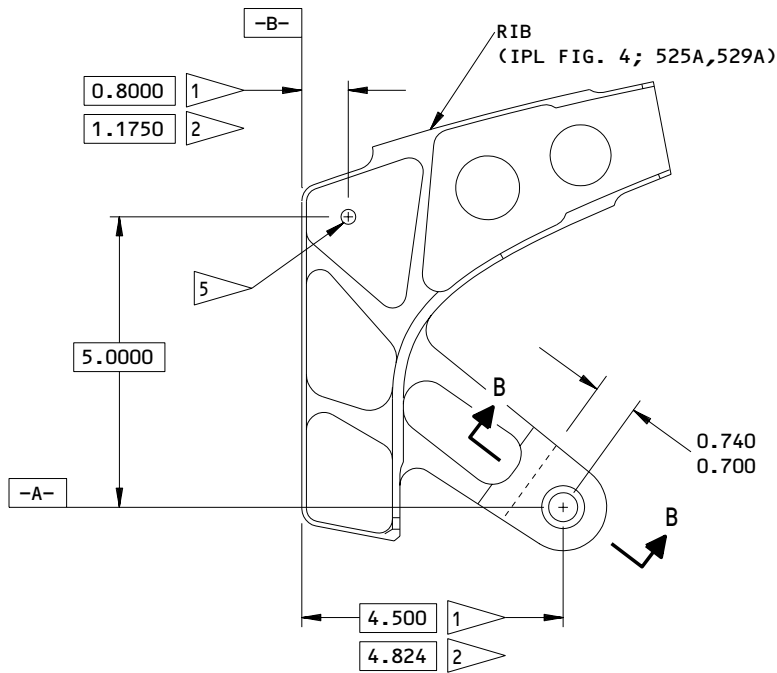


114T4604-13,-14,-21,-22,-25,-26,-401,-402
 114T4605-13,-14,-21,-22,-25,-26,-401,-402
 Actuator Rib Assembly Bushing Replacement
 Figure 601 (Sheet 1)

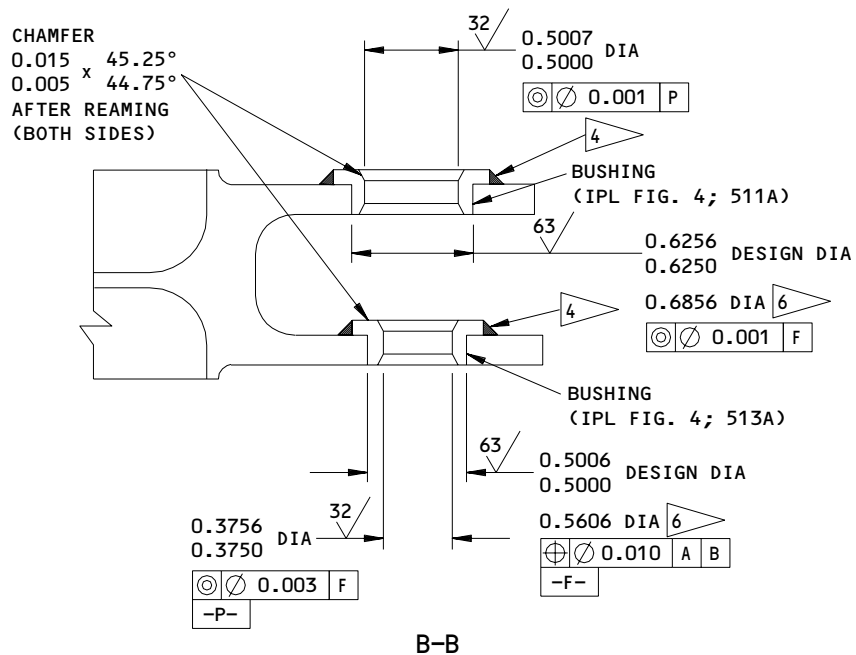
57-43-51

REPAIR 6-1
 Page 603
 Mar 01/04

01.1



114T4604-401; 114T4605-401 SHOWN
 114T4604-402; 114T4605-402 OPPOSITE



114T4604-13,-14,-21,-22,-25,-26,-401,-402
 114T4605-13,-14,-21,-22,-25,-26,-401,-402
 Actuator Rib Assembly Bushing Replacement
 Figure 601 (Sheet 2)

57-43-51

REPAIR 6-1
 Page 604
 Mar 01/04

01.1

ALL DIMENSIONS ARE IN INCHES

- 1 ACTUATOR RIB ASSEMBLY
(IPL FIG. 3; 466,468)
(IPL FIG. 4; 487,489)
RIB
(IPL FIG. 3; 504,506)
(IPL FIG. 4; 525,527)
- 2 ACTUATOR RIB ASSEMBLY
(IPL FIG. 3; 470,472)
(IPL FIG. 4; 491,493)
RIB
(IPL FIG. 3; 508,510)
(IPL FIG. 4; 529,531)
- 3 TOOL HOLE (REF)

\oplus	\varnothing	0.005	A	B
----------	---------------	-------	---	---
- 4 FILLET SEAL WITH BMS 5-95 SEALANT
- 5 TOOL HOLE (REF)

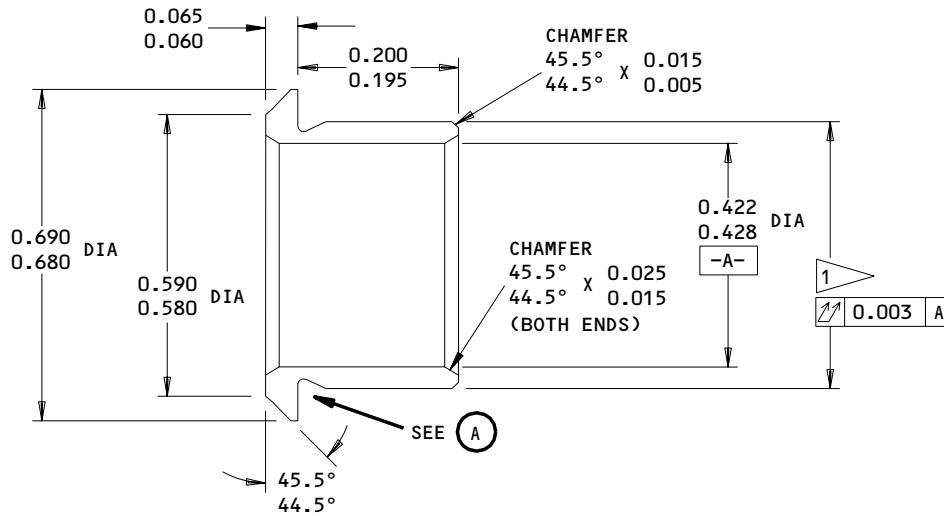
\oplus	\varnothing	0.005	A	B
----------	---------------	-------	---	---
- 6 REPAIR LIMIT

114T4604-13,-14,-21,-22,-25,-26,-401,-402
114T4605-13,-14,-21,-22,-25,-26,-401,-402
Actuator Rib Assembly Bushing Replacement
Figure 601 (Sheet 3)

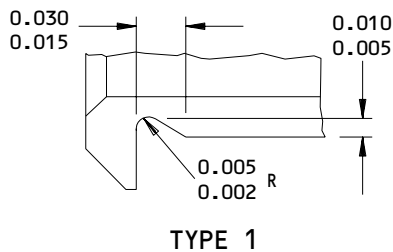
57-43-51

REPAIR 6-1
Page 605
Mar 01/04

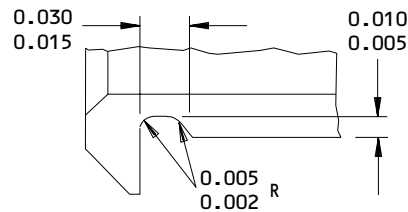
01.1



REPLACEMENT BUSHING FOR BUSHINGS
 (IPL FIG. 3; 490)
 (IPL FIG. 4; 511)



TYPE 1



TYPE 2

UNDERCUT TYPE 1 OR TYPE 2 OPTIONAL

(A)

1 FINAL BUSHING OUTSIDE DIAMETER EQUALS REPAIR DIAMETER OF RIB PLUS INTERFERENCE OD 0.0005-0.0017

63 ALL MACHINED SURFACES UNLESS SHOWN DIFFERENTLY

MATERIAL: ALUMINUM-NICKEL-BRONZE AS IN AMS 4640
 HEAT TREAT - 4R50 OR TQ50 AS IN AMS 4640

FINISH: CADMIUM OR ZINC-NICKEL PLATE

DIMENSIONS APPLY AFTER PLATING

ALL DIMENSIONS ARE IN INCHES

Oversize Bushing Details
Figure 602

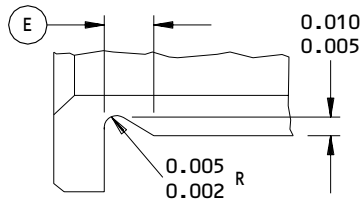
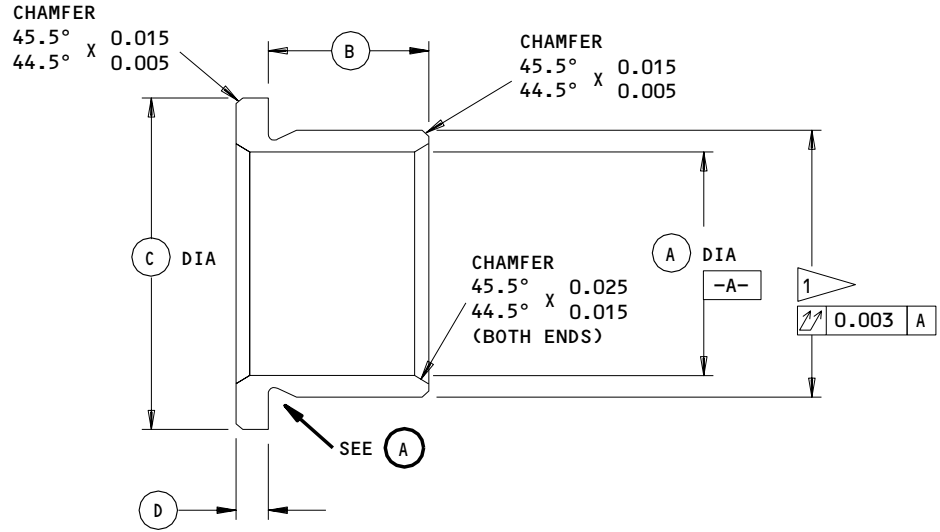
57-43-51

REPAIR 6-1

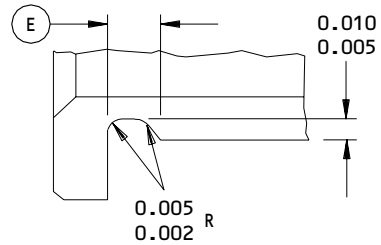
01.1

Page 606

Mar 01/04



TYPE 1



TYPE 2

UNDERCUT TYPE 1 OR TYPE 2 OPTIONAL



Oversize Bushing Details
 Figure 603 (Sheet 1)

57-43-51

REPAIR 6-1

Page 607

Mar 01/04

01.1

ORIGINAL BUSHING NO. (REF)	(A)	(B)	(C)	(D)	(E)	INTERFERENCE
IPL FIG. 3; 492	0.303 0.297	0.190 0.185	0.610 0.600	0.065 0.060	0.030 0.015	0.0003-0.0015
IPL FIG. 4; 511A	0.491 0.484	0.190 0.185	0.750 0.740	0.065 0.060	0.030 0.015	0.0003-0.0015
IPL FIG. 4; 513	0.303 0.297	0.190 0.185	0.610 0.600	0.065 0.060	0.030 0.015	0.0003-0.0015
IPL FIG. 4; 513A	0.366 0.359	0.190 0.185	0.710 0.700	0.065 0.060	0.030 0.015	0.0003-0.0015

1 FINAL BUSHING OUTSIDE DIAMETER EQUALS REPAIR DIAMETER OF RIB PLUS INTERFERENCE

63 / ALL MACHINED SURFACES UNLESS SHOWN DIFFERENTLY

MATERIAL: 15-5PH OR 17-4PH CRES, 180-200 KSI

FINISH: CADMIUM OR ZINC-NICKEL PLATE

DIMENSIONS APPLY AFTER PLATING

ALL DIMENSIONS ARE IN INCHES

Oversize Bushing Details
 Figure 603 (Sheet 2)

57-43-51

REPAIR 6-1

Page 608

Mar 01/04

01.1

MAIN TRACK RIB ASSEMBLY – REPAIR 7-1

114T4404-13, -14, -17, -18, -21, -22

NOTE: Refer to REPAIR-GEN for a list of applicable standard practices.

1. Bushing Replacement (IPL Fig. 3; 541, 541G) (IPL Fig. 4; 557, 559A)
 - A. Remove bushings.
 - B. Check holes for damage or corrosion and repair, if necessary, per 2.
 - C. Install bushings per 20-50-03 with wet BMS 5-95 sealant.
 - D. Machine bushings per Fig. 601.
 - E. Fillet seal bushing flanges with BMS 5-95 sealant as shown in SOPM 20-50-19.
2. Repair
 - A. Repair hole for bushing (IPL Fig. 3; 541, 541G) (IPL Fig. 4; 557, 559A) as required to remove discrepancies, per Fig. 601, and 63 microinch AA finish.
 - (1) Machine rib (IPL Fig. 3; 551, 553) (IPL Fig. 4; 569, 571), to the repair limit to remove discrepancies, per Fig. 601.
 - (2) Penetrant check per 20-20-02.
 - (3) Shot peen per 20-10-03 and Fig. 601.
 - (4) Refinish per 3.A.
 - (5) Fabricate oversize bushing(s) per Fig. 602 and 603.

57-43-51

REPAIR 7-1

01.1

Page 601

Mar 01/04

(6) Install the oversize bushings per par. 1.

3. Refinish

- A. Rib (IPL Fig. 3; 551, 553) (IPL Fig. 4; 569, 571) -- Chromic acid anodize, Type 1 and apply one coat of BMS 10-11, Type 1 primer (F-18.13) except no primer in bushing installation hole. Material: Al Alloy.
- B. Shim (IPL Fig. 3; 548) (IPL Fig. 4; 567) -- Treat surface, colored coating. Apply one coat of BMS 10-11, Type 1 primer (F-18.06).

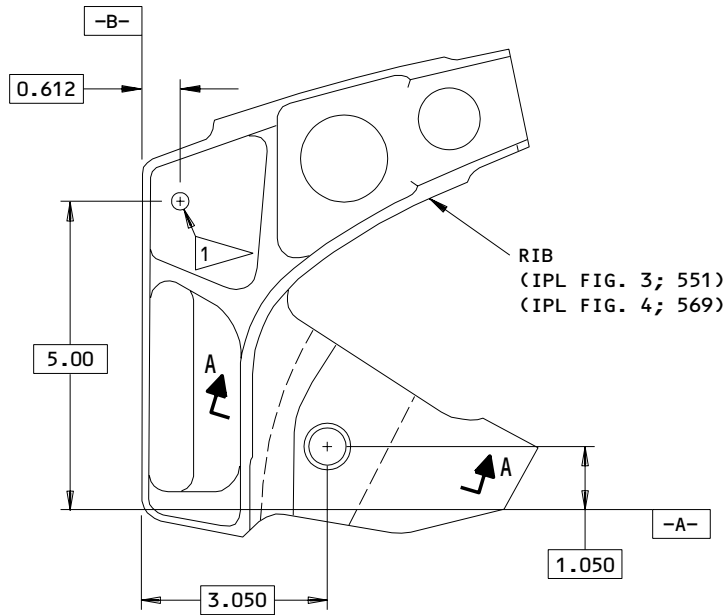
57-43-51

REPAIR 7-1

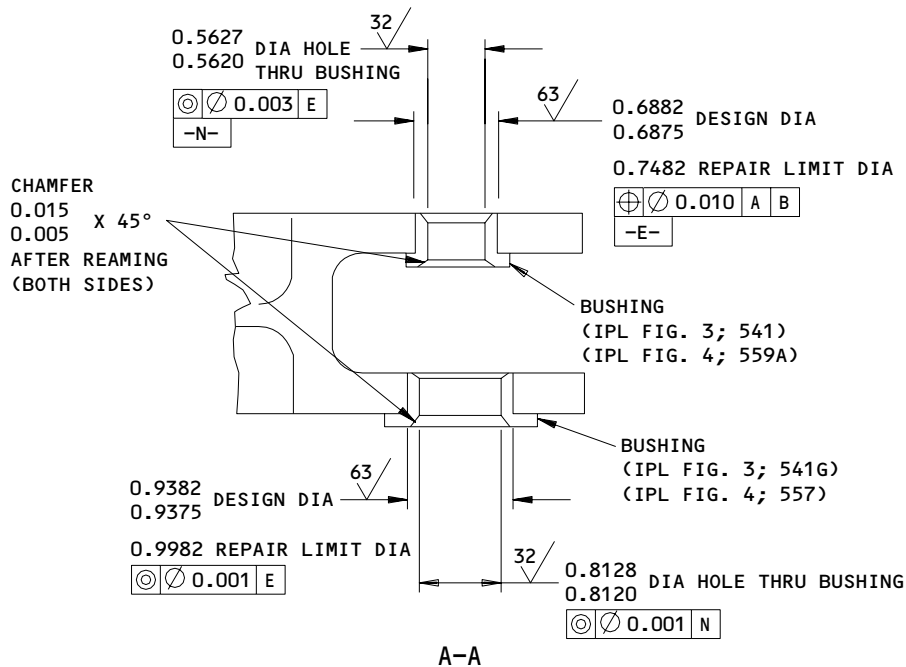
01.1

Page 602

Mar 01/04



114T4404-13,-17,-21 SHOWN
 114T4404-14,-18,-22 OPPOSITE



114T4404-13,-14,-17,-18,-21,-22
 Main Track Rib Assembly Bushing Replacement
 Figure 601 (Sheet 1)

57-43-51

REPAIR 7-1

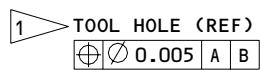
01.1


Page 603

Mar 01/04

REPAIR

TOLERANCE: ANGLE $\pm 1/4^\circ$

1  TOOL HOLE (REF)
0.005 A B

63  ALL MACHINED SURFACES UNLESS SHOWN DIFFERENTLY

SHOT PEEN (MANUAL PEEN OPT):
0.023-0.055 SHOT SIZE
0.004-0.007 A INTENSITY
2.0 COVERAGE

MATERIAL: ALUMINUM ALLOY

ALL DIMENSIONS ARE IN INCHES

114T4404-13,-14,-17,-18,-21,-22
Main Track Rib Assembly Bushing Replacement
Figure 601 (Sheet 2)

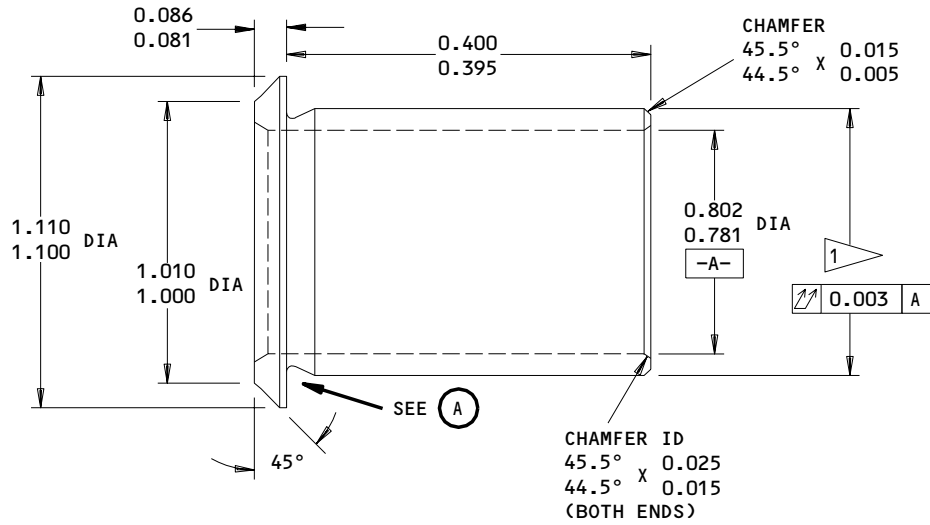
57-43-51

REPAIR 7-1

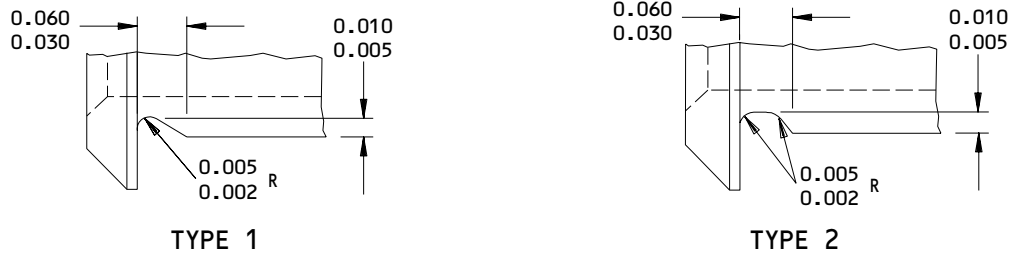
Page 604

Mar 01/04

01.1



REPLACEMENT BUSHING FOR BUSHINGS
 (IPL FIG. 3; 541G)
 (IPL FIG. 4; 557)



UNDERCUT TYPE 1 OR TYPE 2 OPTIONAL

(A)

1 FINAL BUSHING OUTSIDE DIA EQUALS REPAIR DIA OF RIB PLUS INTERFERENCE OF 0.0007-0.0021

63 ALL MACHINED SURFACES UNLESS SHOWN DIFFERENTLY

ANGULAR TOLERANCE, ± 0.50 DEG

MATERIAL: AL-NI-BR PER AMS 4640

FINISH: CADMIUM PLATE PER SOPM 20-42-05, TYPE 2, CLASS 2. PLATING BORE OPTIONAL

ALL DIMENSIONS ARE IN INCHES

DIMENSIONS APPLY AFTER PLATING

Oversize Bushing Details
 Figure 602

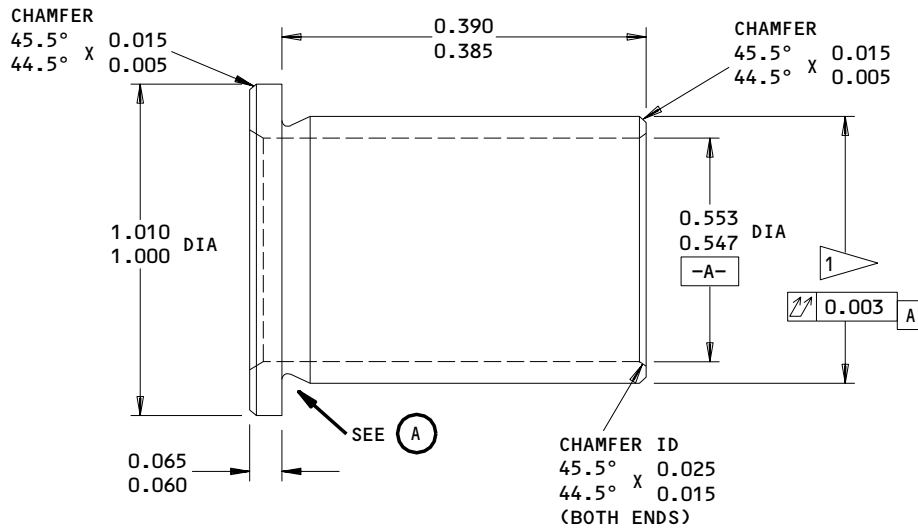
57-43-51

REPAIR 7-1

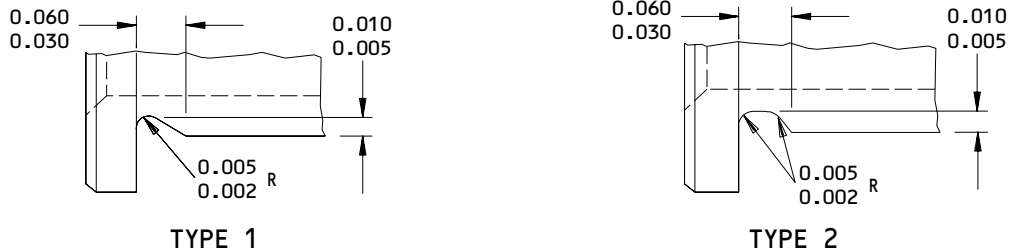
01.1

Page 605

Mar 01/04



REPLACEMENT BUSHING FOR BUSHINGS
 (IPL FIG. 3; 541)
 (IPL FIG. 4; 449A)



UNDERCUT TYPE 1 OR TYPE 2 OPTIONAL



1 **FINAL BUSHING OUTSIDE DIA EQUALS REPAIR DIA OF RIB PLUS INTERFERENCE OF 0.0005-0.0019**

63 **ALL MACHINED SURFACES UNLESS SHOWN DIFFERENTLY**

ANGULAR TOLERANCE, ±0.50 DEG

MATERIAL: 15-5PH CRES, 180-200 KSI

FINISH: CADMIUM PLATE PER SOPM 20-42-05, TYPE 2, CLASS 2. PLATING BORE OPTIONAL

ALL DIMENSIONS ARE IN INCHES

DIMENSIONS APPLY AFTER PLATING

Oversize Bushing Details
Figure 603

57-43-51

REPAIR 7-1

01.1

Page 606

Mar 01/04

MAIN TRACK RIB ASSEMBLY – REPAIR 8-1

114T4405-13, -14, -17, 18, -21, -22

NOTE: Refer to REPAIR-GEN for list of applicable standard practices.

1. Bushing Replacement (IPL Fig. 3; 583, 583G) (IPL Fig. 4; 597, 599)
 - A. Remove bushings.
 - B. Check holes for damage or corrosion and repair, if necessary, per 2.
 - C. Install bushings per 20-50-03 with wet BMS 5-95 sealant.
 - D. Machine bushings per Fig. 601.
 - E. Fillet seal bushing flanges with BMS 5-95 sealant as shown in SOPM 20-50-19.
2. Repair
 - A. Repair hole for bushing (IPL Fig. 3; 583, 583G) (IPL Fig. 4; 597, 599).
 - (1) Machine rib (IPL Fig. 3; 593, 595) (IPL Fig. 4; 609, 611), to the repair limit to remove discrepancies per Fig. 601.
 - (2) Penetrant check per 20-20-02.
 - (3) Shot peen per 20-10-03 and Fig. 601.
 - (4) Refinish per 3.A.
 - (5) Fabricate oversize bushing(s) per Fig. 602 and 603.

57-43-51

REPAIR 8-1

01.1

Page 601

Mar 01/04

(6) Install the oversize bushings per par. 1.

3. Refinish

- A. Rib (IPL Fig. 3; 593, 595) (IPL Fig. 4; 609, 611) -- Chromic acid anodize, Type 1 and apply one coat of BMS 10-11, Type 1 primer (F-18.13) except no primer in bushing installation hole. Material: Al Alloy.
- B. Shim (IPL Fig. 3; 591) (IPL Fig. 4; 607) -- Treat surface, colored coating. Apply one coat of BMS 10-11, Type 1 primer (F-18.06).

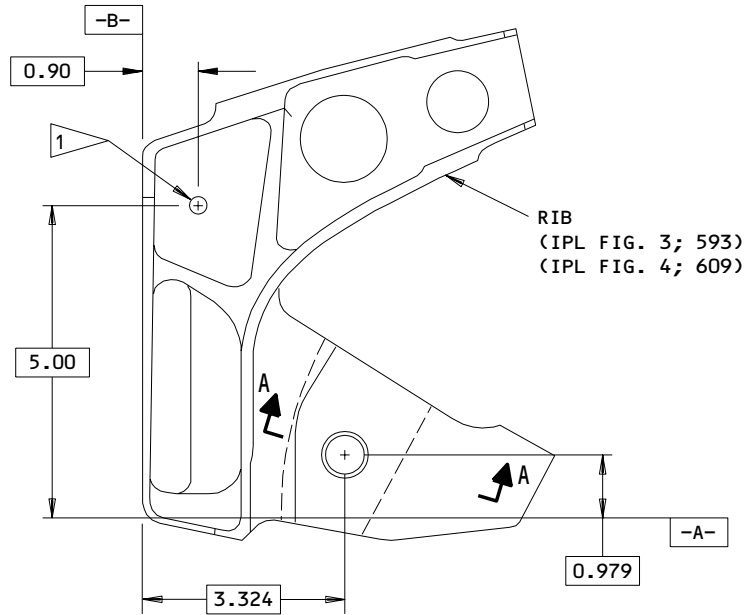
57-43-51

REPAIR 8-1

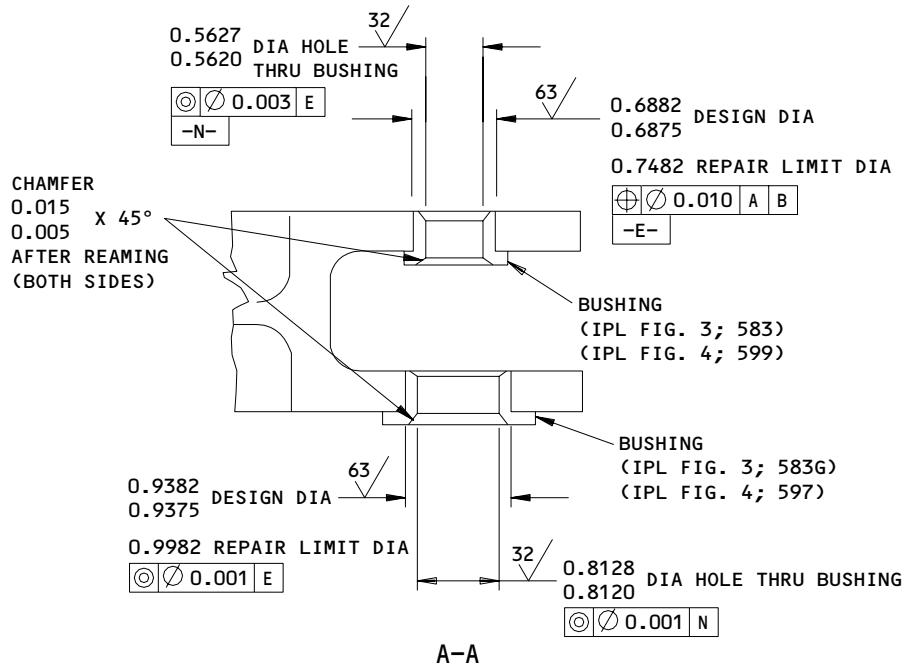
01.1

Page 602

Mar 01/04



114T4405-13,-17,-21 SHOWN
 114T4405-14,-18,-22 OPPOSITE



114T4405-13,-14,-17,-18,-21,-22
 Main Track Rib Assembly Bushing Replacement
 Figure 601 (Sheet 1)

57-43-51

REPAIR 8-1

01.1

Page 603

Mar 01/04

1 TOOL HOLE (REF)
⊕ ∅ 0.005 A B

REPAIR

63/ ALL MACHINED SURFACES UNLESS SHOWN
DIFFERENTLY

TOLERANCE: ANGLE $\pm 1/4^\circ$

SHOT PEEN (MANUAL PEEN OPT):
0.023-0.055 SHOT SIZE
0.004-0.007 A INTENSITY
2.0 COVERAGE

MATERIAL: ALUMINUM ALLOY

ALL DIMENSIONS ARE IN INCHES

114T4405-13,-14,-17,-18,-21,-22
Main Track Rib Assembly Bushing Replacement
Figure 601 (Sheet 2)

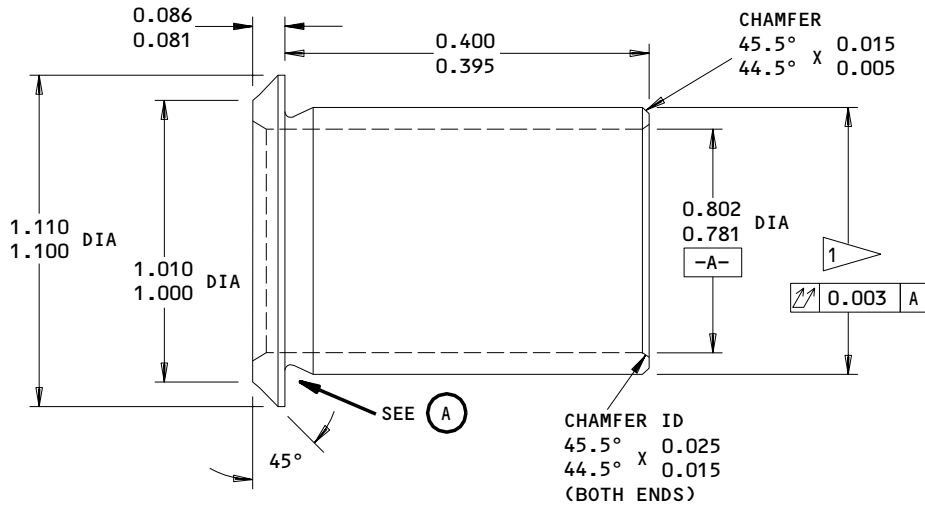
57-43-51

REPAIR 8-1

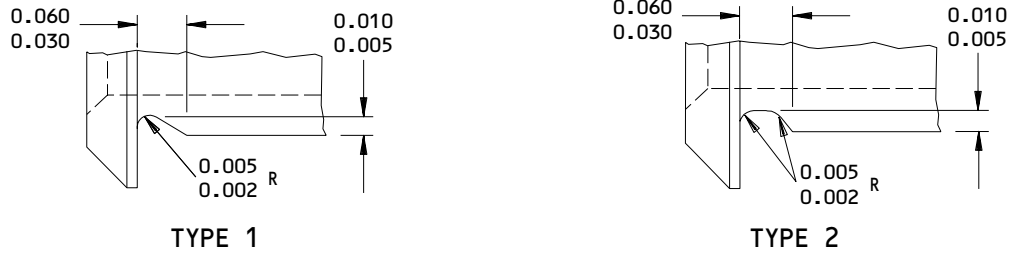
Page 604

Mar 01/04

01.1



REPLACEMENT BUSHING FOR BUSHINGS
 (IPL FIG. 3; 583G)
 (IPL FIG. 4; 597)



UNDERCUT TYPE 1 OR TYPE 2 OPTIONAL

(A)

1 FINAL BUSHING OUTSIDE DIA EQUALS REPAIR
 DIA OF RIB PLUS INTERFERENCE OF
 0.0007-0.0021

63/ ALL MACHINED SURFACES UNLESS SHOWN
 DIFFERENTLY

ANGULAR TOLERANCE, ± 0.50 DEG

MATERIAL: AL-NI-BR PER AMS 4640

FINISH: CADMIUM PLATE PER SOPM 20-42-05, TYPE 2,
 CLASS 2. PLATING BORE OPTIONAL

ALL DIMENSIONS ARE IN INCHES

DIMENSIONS APPLY AFTER PLATING

Oversize Bushing Details
 Figure 602

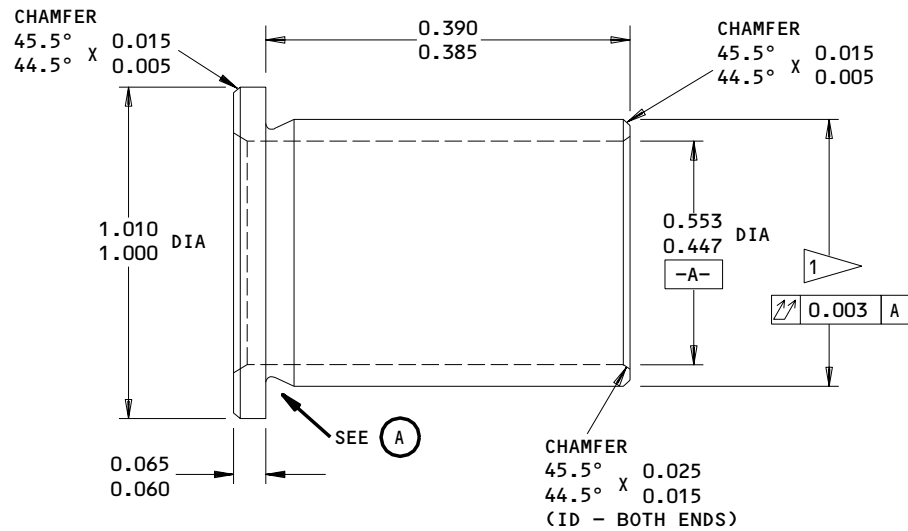
57-43-51

REPAIR 8-1

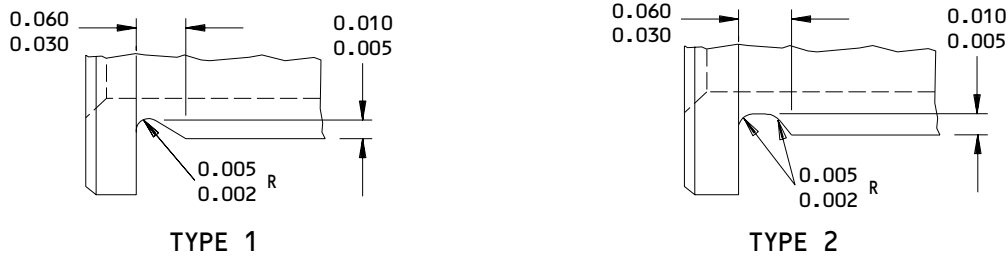
01.1

Page 605

Mar 01/04



REPLACEMENT BUSHING FOR BUSHINGS
 (IPL FIG. 3; 583)
 (IPL FIG. 4; 599)



UNDERCUT TYPE 1 OR TYPE 2 OPTIONAL

(A)

1 FINAL BUSHING OUTSIDE DIA EQUALS REPAIR DIA OF RIB PLUS INTERFERENCE OF 0.0005-0.0019

63/ ALL MACHINED SURFACES UNLESS SHOWN DIFFERENTLY

ANGULAR TOLERANCE, ± 0.50 DEG

MATERIAL: 15-5PH CRES, 180-200 KSI

FINISH: CADMIUM PLATE PER SOPM 20-42-05, TYPE 2, CLASS 2. PLATING BORE OPTIONAL

ALL DIMENSIONS ARE IN INCHES

DIMENSIONS APPLY AFTER PLATING

Oversize Bushing Details
Figure 603

57-43-51

REPAIR 8-1

01.1

Page 606

Mar 01/04

AUXILIARY RIB ASSEMBLY – REPAIR 9-1

114T4516-1, -2, -5, -6, -9, -10, -13, -14, -17 thru -20, -401, -402
114T4517-1, -2, -5, -6, -9, -10, -13, -14, -17 thru -20, -401, -402

NOTE: Refer to REPAIR – GENERAL for a list of applicable standard practices.

1. Bushing Replacement (IPL Fig. 3; 624) (IPL Fig. 4; 645)

- A. Remove bushings from the rib (IPL Fig. 3; 640, 641, 642, 643, 644, 645, 646, 647) (IPL Fig. 4; 657, 659, 661, 663).
- B. Check the hole for damage or corrosion and if necessary, repair it as specified in par. 2.A.
- C. Install bushings as shown in SOPM 20-50-03 with wet BMS 5-95 sealant.
- D. Machine bushings as shown in Fig. 601.
- E. Fillet seal bushing flanges with BMS 5-95 sealant as shown in SOPM 20-50-19 flush with bushing flange. No sealant or finishes on plane surface or bushing flange.
- F. Fill gap between rub plates (IPL Fig. 3; 632, 634) (IPL Fig. 4; 653, 654) and bushing flanges with BMS 5-95 sealant as shown in Fig. 601 and as shown in SOPM 20-50-19.

2. Oversized Bushing Repair

- A. Repair hole for bushing (IPL Fig. 3; 624) (IPL Fig. 4; 645).
 - (1) Machine the worn or damaged hole in the rib (IPL Fig. 3; 640, 641, 642, 643, 644, 645, 646, 647) (IPL Fig. 4; 657, 659, 661, 663), as necessary to remove defects, cracks, and/or corrosion, to the repair limit shown in Fig. 601.
 - (2) Do a penetrant check of the machined hole as specified by SOPM 20-20-02.
 - (3) Shot peen bore(s) as shown in SOPM 20-10-03 and Fig. 601.
 - (4) Refinish the machined hole as specified in par. 3.A.
- B. Make an oversize bushing for bushing (IPL Fig. 3; 624) (IPL Fig. 4; 645) as shown in Fig. 602 or 603.

57-43-51

REPAIR 9-1

01.1

Page 601

Mar 01/04

C. Install the oversize bushing as shown in steps 1.C. through 1.F.

3. Refinish

- A. Rib (IPL Fig. 3; 640, 641, 642, 643, 644, 645, 646, 647) (IPL Fig. 4; 657, 659, 661, 663) -- Anodize (F-17.04) or (F-17.31) and apply one layer of BMS 10-11, Type 1 primer (F-20.02), except do not apply primer in the holes for the bushings. Optional: For bushing holes and touch-up of small areas of bare metal, apply colored chemical coating (F-17.10) instead of anodize. Material: Al alloy.

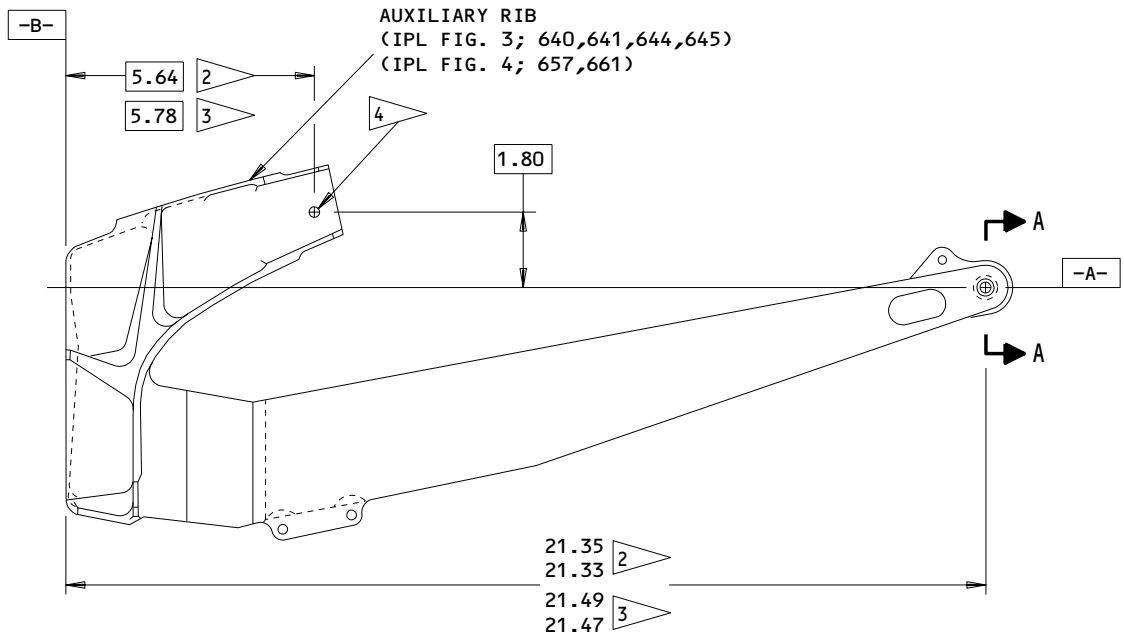
57-43-51

REPAIR 9-1

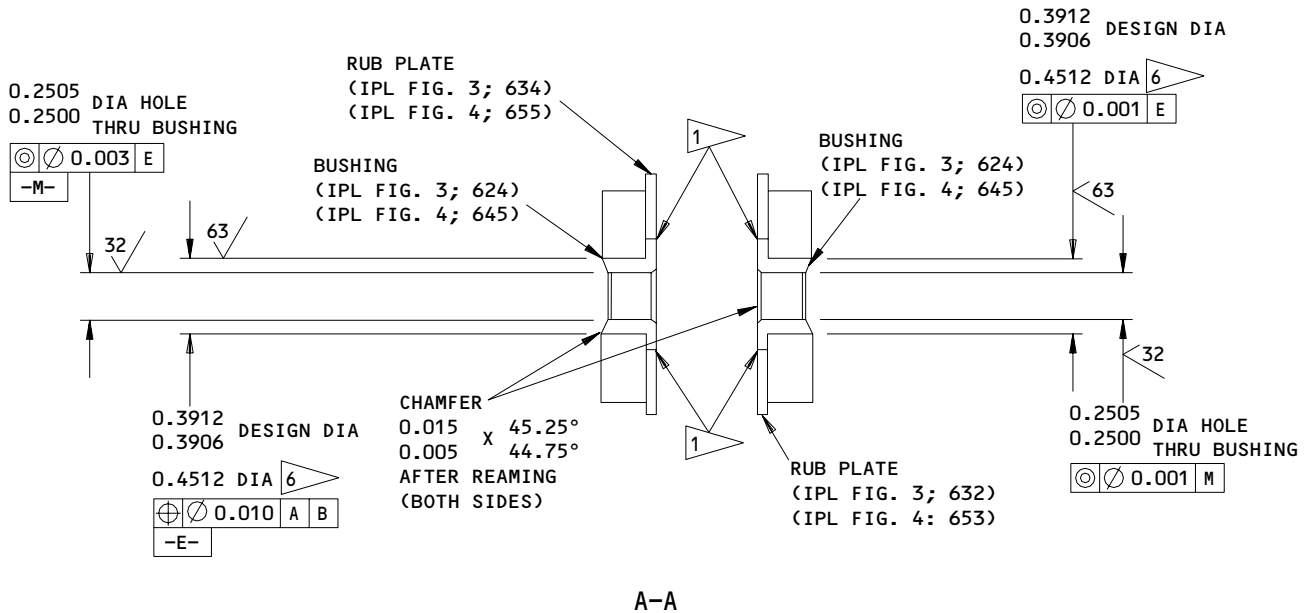
01.1

Page 602

Mar 01/04



114T4516-1,-5,-9,-13,-17,-19 SHOWN
 114T4517-1,-5,-9,-13,-17,-19 SHOWN
 114T4516-2,-6,-10,-14,-18,-20 OPPOSITE
 114T4517-2,-6,-10,-14,-18,-20 OPPOSITE



114T4516-1,-2,-5,-6,-9,-10,-13,-14,-17 Thru -20,-401,-402
 114T4517-1,-2,-5,-6,-9,-10,-13,-14,-17 Thru -20,-401,-402
 Auxiliary Rib Assembly Bushing Replacement
 Figure 601 (Sheet 1)

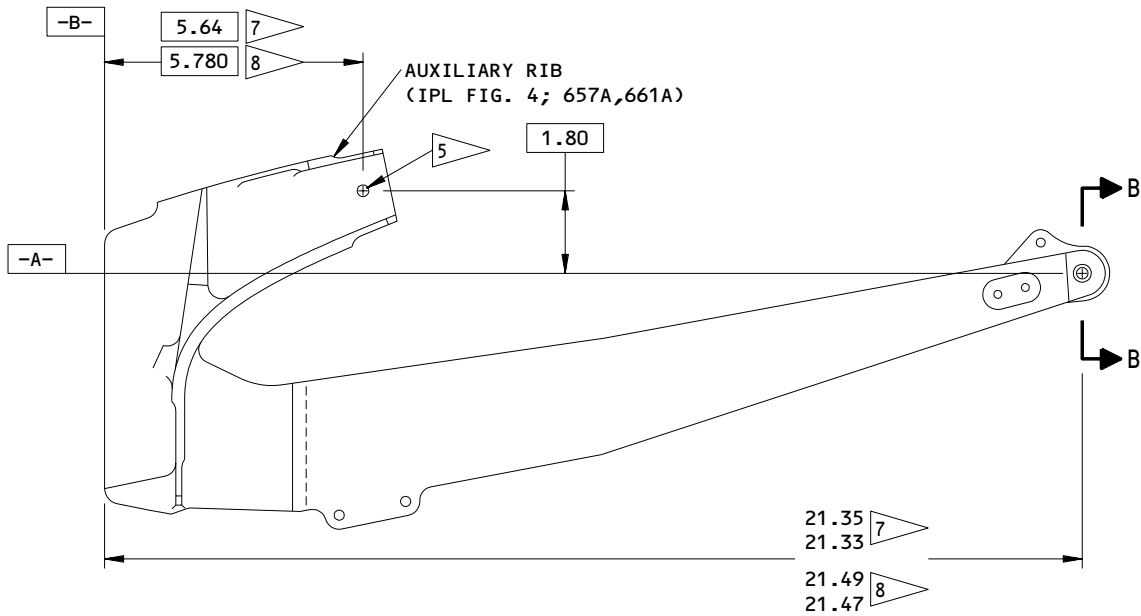
57-43-51

REPAIR 9-1

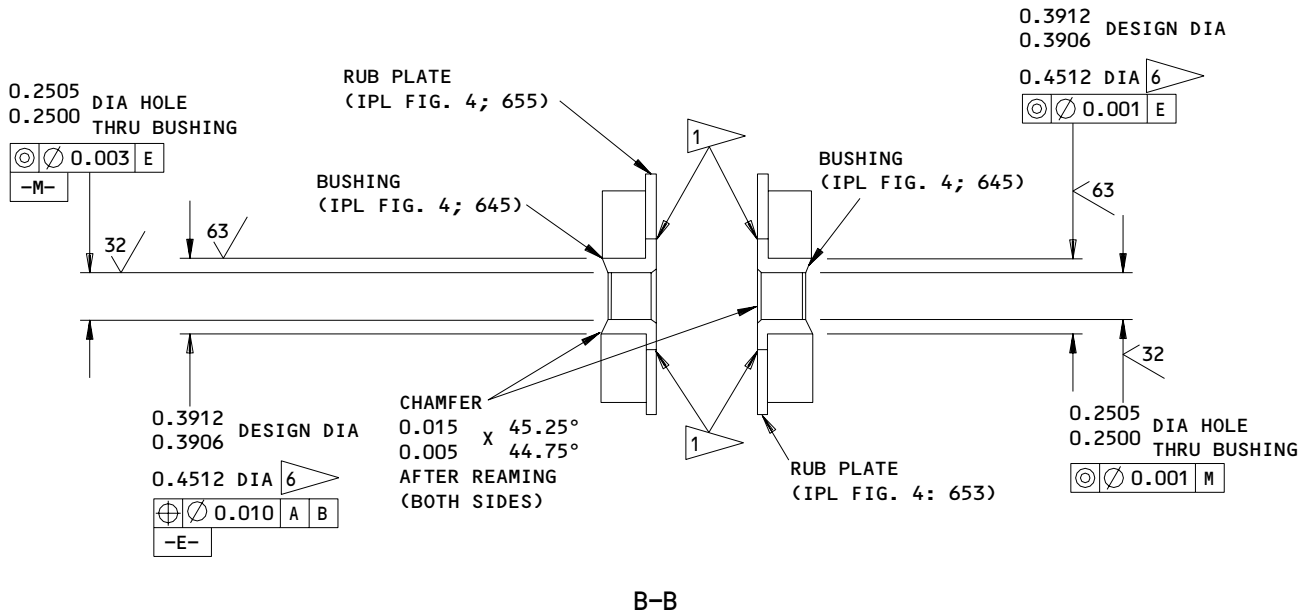
01.1

Page 603

Mar 01/04



114T4516-401; 114T4517-401 SHOWN
 114T4516-402; 114T4517-402 OPPOSITE



114T4516-1,-2,-5,-6,-9,-10,-13,-14,-17 Thru -20,-401,-402
 114T4517-1,-2,-5,-6,-9,-10,-13,-14,-17 Thru -20,-401,-402
 Auxiliary Rib Assembly Bushing Replacement
 Figure 601 (Sheet 2)

57-43-51

REPAIR 9-1

01.1

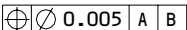
Page 604

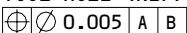
Mar 01/04

1 FILL GAP WITH BMS 5-95 SEALANT

2 AUXILIARY RIB
(IPL FIG. 3; 640,641)
(IPL FIG. 4; 657)

3 AUXILIARY RIB
(IPL FIG. 3; 644,645)
(IPL FIG. 4; 661)

4 TOOL HOLE (REF)
 0.005 A B

5 TOOL HOLE (REF)
 0.005 A B

6 REPAIR LIMIT

7 AUXILIARY RIB
(IPL FIG. 4; 657A)

8 AUXILIARY RIB
(IPL FIG. 4; 661A)

125/ ALL MACHINED SURFACES UNLESS SHOWN
DIFFERENTLY

SHOT PEEN: 0.023-0.055 SHOT SIZE
0.002-0.005 A INTENSITY
2.0 COVERAGE

MATERIAL: ALUMINUM ALLOY

ALL DIMENSIONS ARE IN INCHES

114T4516-1,-2,-5,-6,-9,-10,-13,-14,-17 Thru -20,-401,-402
114T4517-1,-2,-5,-6,-9,-10,-13,-14,-17 Thru -20,-401,-402
Auxiliary Rib Assembly Bushing Replacement
Figure 601 (Sheet 3)

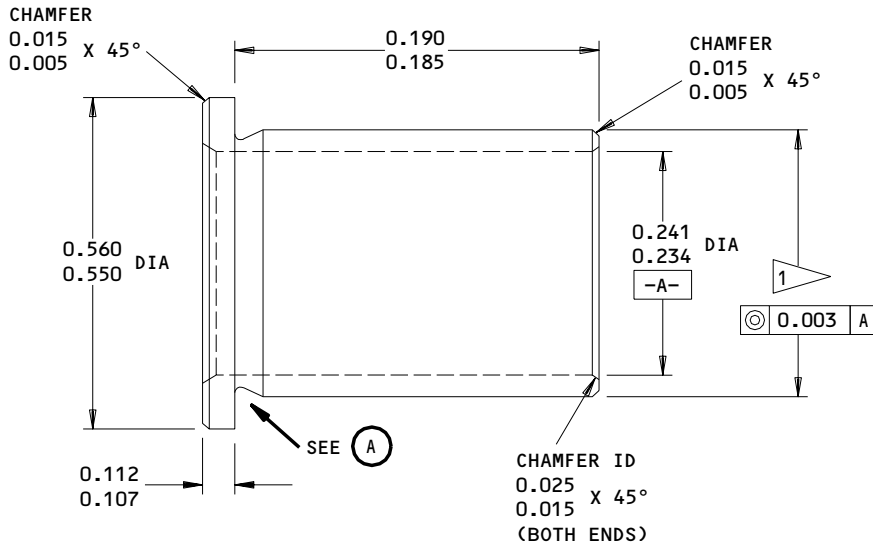
57-43-51

REPAIR 9-1

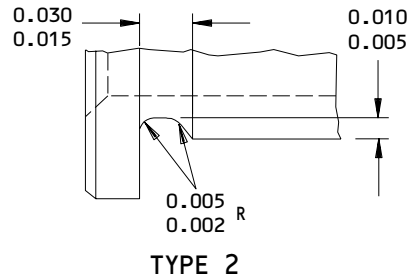
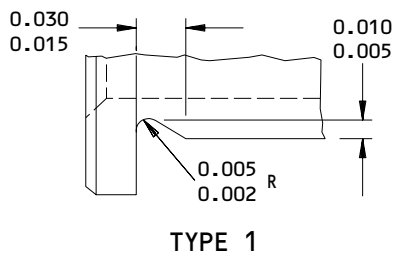
01.1

Page 605

Mar 01/04



REPLACEMENT BUSHING FOR BUSHINGS
 (IPL FIG. 3; 624)
 (IPL FIG. 4; 645)



UNDERCUT TYPE 1 OR TYPE 2 OPTIONAL

(A)

1 FINAL BUSHING OUTSIDE DIA EQUALS REPAIR DIA OF RIB PLUS INTERFERENCE OF 0.0003-0.0015

63/ ALL MACHINED SURFACES UNLESS SHOWN DIFFERENTLY

ANGULAR TOLERANCE, ± 0.50 DEG

MAGNETIC PARTICLE INSPECT AS SHOWN IN SOPM 20-20-01, CLASS C

MATERIAL: 15-5PH CRES, 180-200 KSI

FINISH: CADMIUM PLATE PER SOPM 20-42-05, TYPE 2, CLASS 2. PLATING BORE OPTIONAL

ALL DIMENSINOS ARE IN INCHES

DIMENSIONS APPLY AFTER PLATING

Oversize Bushing Details
 Figure 602

57-43-51

REPAIR 9-1

01.1

Page 606

Mar 01/04

015T0165
015T1507
114T4103
DASH NUMBERS LIMITED



MISCELLANEOUS PARTS REFINISH - REPAIR 10-1

1. Repair of these parts is only replacement of the original finish. Refer to REPAIR - GENERAL for a list of applicable standard practices.

57-43-51

REPAIR 10-1

01.101

Page 601

Mar 01/00

IPL FIG. & ITEM	MATERIAL	FINISH
<p><u>Fig. 1</u></p> <p>Structure Assembly (1 thru 1D,1F,1H, 1J, 5 thru 5D,5F, 5H,5J)</p>	<p>--</p>	<p>Except for the access panels (114T4158-1,-2,-3,-4), the TE wedge assemblies (114T41143-1,-2,-7 thru -12,-17 thru -22), the skins (114T4103-3,-4), and the closure panels (114T4151-9,-10,-11,-12) and except as noted in Fig. 601, put the following finish on the slat assembly:</p> <p>Before you install the seals onto the slat assembly, apply BMS 10-11, Type 1 primer (F-14.995) and BMS 10-60, Type 1 primer (F-14.9813) to the slat assembly in the operators color scheme.</p> <p>After you install the seals, apply BMS 10-60, Type 1 enamel (F-14.9813), in the operators color scheme, to all unpainted seal retainers, bolt heads, and washers.</p> <p>For detail refinish of the access panels, the TE wedge assemblies, the skins, and the closure panels listed above, see the refinish information listed in this section. For refinish of these parts at the assembly level, See Fig. 601 and Table A.</p>
<p>Structure Assembly (1K,5K)</p>	<p>--</p>	<p>Except for the access panels (114T4158-1,-2,-3,-4). the TE wedge assemblies (114T41143-1,-2,-7 thru -12,-17 thru -20), the skins (114T4103-3,-4), and the closure panels (114T4151-9,-10,-11,-12) and except as noted in Fig. 601, put the following finish on the slat assembly:</p>

Refinish Details
 Table 601 (Sheet 1)

57-43-51

REPAIR 10-1
 Page 602
 Nov 01/00

01.1

IPL FIG. & ITEM	MATERIAL	FINISH
<p><u>Fig. 1</u> (Cont)</p> <p>Structure Assembly (1L,1N,1R,1S,5L,5N, 5R,5S)</p>	<p>--</p>	<p>Before you install the seals onto the slat assembly, apply BMS 10-79, Type 2 primer and BMS 10-60, Type 2 enamel (F-19.41) to the slat assembly, in the operators color scheme.</p> <p>After you install the seals, apply BMS 10-60, Type 2 enamel (F-19.39), in the operators color scheme, to all unpainted seal retainers, bolt heads, and washers.</p> <p>For detail refinish of the access panels, the TE wedge assebmlies, the skins, and the closure panels listed above, see the refinish information listed in this section. For refinish of these parts at the assembly level, see Fig. 601 and Table A.</p> <p>Except for the access panels (114T4158-1,-2,-3,-4), the TE wedge assemblies (114T41143-1,-2,-7 thru -12,-17 thru -20), the skins (114T4103-3,-4), and the closure panels (114T4151-9,-10,-11,-12) and except as noted in Fig. 601, put the following finish on the slat assembly:</p> <p>Before you install the seals onto the slat assembly, apply BMS 10-79, Type 3 primer (F-19.47) and BMS 10-60, Type 2 enamel (F-19.39) to the slat assembly, in the operators color scheme.</p> <p>After you install the seals, apply BMS 10-60, Type 2 enamel (F-19.39), in the operators color scheme, to all unpainted seal retainers, bolt heads, and washers.</p>

Refinish Details
 Table 601 (Sheet 2)

57-43-51

REPAIR 10-1

01.1

Page 603

Nov 01/00

IPL FIG. & ITEM	MATERIAL	FINISH
<p><u>Fig. 1</u> (Cont)</p> <p>Structure Assembly (1P, 1T, 3P, 3Q, 3R, 3S, 3T, 3U, 3V, 3W, 5P, 5T, 7P, 7Q, 7R, 7S, 7T, 7U, 7V, 7W)</p>	<p>--</p>	<p>For detail refinish of the access panels, the TE wedge assemblies, the skins, and the closure panels listed above, see the refinish information listed in this section. For refinish of these parts at the assembly level, see Fig. 601 and Table A.</p> <p>Except for the access panels (114T4158-1,-2,-3,-4), the TE wedge assemblies (114T41143-1,-2,-7 thru -12,-17 thru -20), the skins (114T4103-3,-4), and the closure panels (114T4151-9,-10,-11,-12) and except as noted in Fig. 602, put the following finish on the slat assembly:</p> <p>Before you install the seals onto the slat assembly, apply BMS 10-79, Type 3 primer (F-19.47) and BMS 10-60, Type 2 enamel (F-19.39) to the slat assembly, in the operators color scheme.</p> <p>After you install the seals, apply BMS 10-60, Type 2 enamel (F-19.39), in the operators color scheme, to all unpainted seal retainers, bolt heads, and washers.</p> <p>For detail refinish of the access panels, the TE wedge assemblies, the skins, and the closure panels listed above, see the refinish information listed in this section. For refinish of these parts at the assembly level, see Fig. 601 and Table A.</p>

Refinish Details
Table 601 (Sheet 3)

IPL FIG. & ITEM	MATERIAL	FINISH
<u>Fig. 2</u>		
TE Wedge Assemblies (428,428A,430,430A, 430B,432,432A,434, 434A,434B)	Al alloy	Chemical treat (F-17.04) the exterior skin surfaces.
Skin (114T4103-3, -4)	Al alloy	See Fig. 601.
Closure Panels (950,952,954,956)	Composite	See Fig. 602.
Retainers (16,18,20,22,24,26, 62) Fitting (860,862,872,874, 904,906,914)	Al alloy	Chromic acid anodize and apply BMS 10-11, Type 1 primer (F-18.13). Apply enamel, BMS 10-60, color BAC707 gray gloss (SRF-14.9813).
Retainers (68,74,102,102A, 104,104A,112,130, 132,134,136,146, 148,150,152,868, 870,880,880A)	Al alloy	Chemical treat and apply BMS 10-11, Type 1 primer (F-18.06). Apply enamel BMS 10-60, color BAC707 gray gloss (SRF-14.9813).
Retainers (92,94) Stiffeners (192,196,197,232, 250,282,306,338, 358,360,362,388) Rib Assembly (812,814) Beam Structural Details (828,828A,830,830A)	Al alloy	Chromic acid anodize, and apply BMS 10-11, Type 1 primer (F-18.13).

Refinish Details
 Table 601 (Sheet 4)

57-43-51

REPAIR 10-1

01.1

Page 605

Nov 01/00

IPL FIG. & ITEM	MATERIAL	FINISH
<u>Fig. 2</u> (Cont) Cove Panels (170,172,188,190, 228,230,246,248, 278,280,302,304, 334,336,352,354, 384,386) Strap (266) Fitting Assembly (502A,502G,518A, 518G) Door (836) Doubler (838)	Al alloy	Chemical treat and apply BMS 10-11, Type 1 primer (F-18.06).
Alignment Fitting (268B)	15-5PH CRES, 180-200 ksi	Cadmium plate and apply primer, BMS 10-11, Type 1 (F-16.01).
Access Panel Assy (488,490,504,506)	Al alloy	Exterior surface of the skin: Chemical treat (F-17.40). Interior surface of the skin: Chemical treat and apply BMS 10-11, Type 1 primer (F-20.02).
Plate (724A,725)	Al-Ni-Br	Cadmium plate and apply BMS 10-11, Type 1 primer (F-16.01).
Rib (790,792,794,796)	Al alloy	Chromic acid anodize and apply primer, BMS 10-11, Type 1 (F-18.13), but not no primer in holes. Optional to apply colored chemical coating (F-17.10) to holes only.
Closure Panel Fitting (609,610A,651,652A)	15-5PH or 17-4PH CRES, 150-170 ksi	Cadmium plate (F-15.06). Apply primer BMS 10-11, Type 1 (F-20.02) to all surfaces but the threaded hole.
<u>Fig. 3</u>		
TE Wedge Assemblies (392,392A,394,394A)	Al alloy	Chemical treat (F-17.40) the exterior skin surfaces.

Refinish Details
Table 601 (Sheet 5)

57-43-51

REPAIR 10-1

01.1

Page 606

Nov 01/00

IPL FIG. & ITEM	MATERIAL	FINISH
<u>Fig. 3</u> (Cont)		
TE Wedge Assemblies (392B,394B)	Al alloy	Phosphoric acid anodize (F-20.31) the exterior skin surfaces.
TE Wedge Assemblies (392C394C)	Al alloy	Phosphoric acid anodize (F-20.31) and apply BMS 5-137, Type 1 adhesive primer (F-20.47) to the exterior skin surfaces.
Skin (114T4103-3, -4)	Al alloy	See Fig. 601.
Closure Panels (950,952,954,956)	Composite	See Fig. 602.
Retainers (16,18,20,22,24,26, 27,62) Fitting (724,726,736,738, 768,770,780,782)	Al alloy	Chromic acid anodize, and apply BMS 10-11, Type 1 primer (F-18.13). Apply enamel, BMS 10-60, color BAC707 gray gloss (SRF-14.9813).
Retainers (68,74,102,104,130, 132,134,136,146, 148,150,152,732, 734,776,778)	Al alloy	Chemical treat and apply BMS 10-11, Type 1 primer (F18.06). Apply enamel BMS 10-60, color BAC707 gray gloss (SRF-14.9813).
Retainers (92,94) Stiffeners (192,196,197,228, 246,274,292,320, 340,342,344,374) Rib Assembly (648,650,,658,660, 674,676) Beam Structural Details (692,693,694,695)	Al alloy	Chromic acid anodize, and apply BMS 10-11, Type 1 primer (F-18.13).

Refinish Details
 Table 601 (Sheet 6)

57-43-51

REPAIR 10-1

01.1

Page 607

Nov 01/00

IPL FIG. & ITEM	MATERIAL	FINISH
<u>Fig. 3</u> (Cont) Cove Panels (174,176,188A,189, 190,191,224,226, 242,244,270,272, 288,290,316,318, 334,335,336,337, 370,372) Fitting Assembly (444G,445,460G, 460M) Door (700) Doubler (702)	Al alloy	Chemical treat and apply, BMS 10-11, Type 1 primer (F-18.06).
Alignment Fitting (268C)	15-5PH CRES, 180-200 ksi	Cadmium plate and apply primer, BMS 10-11, Type 1 (F-16.01).
Access Panel Assy (430,432,446,448)	Al alloy	Exterior surface of the skin: Chemical treat (F-17.40).
Plate (632,634)	Al-Ni-Br	Cadmium plate and apply BMS 10-11, Type 1 primer (F-16.01).
Closure Panel Fitting (513A,514A,556A, 557A)	15-5PH or 17-4PH CRES, 150-170 ksi	Cadmium plate (F-15.06). Apply primer BMS 10-11, Type 1 (F-20.02) to all surfaces but the threaded hole.
<u>IPL Fig. 4</u>		
TE Wedge Assemblies (392,392A,394,394A)	Al alloy	Chemical treat (F-17.40) the exterior skin surfaces.
TE Wedge Assemblies (392B,394B)	Al alloy	Phosphoric acid anodize (F-20.31) the exterior skin surfaces.
TE Wedge Assemblies (392C,394C)	Al alloy	Phosphoric acid anodize (F-20.31) and apply BMS 5-137, Type 1 adhesive primer (F-20.47) to the exterior skin surfaces.

Refinish Details
Table 601 (Sheet 7)

IPL FIG. & ITEM	MATERIAL	FINISH
<u>Fig. 4</u> (Cont)		
Skin (114T4103-3, -4)	Al alloy	See Fig. 601.
Closure Panels (950,952,954,956)	Composite	See Fig. 602.
Retainers (11,47) Fitting (741,743,753,755, 785,787,797,799)	Al alloy	Chromic acid anodize and apply BMS 10-11, Type 1 primer (F-18.13). Apply enamel, BMS 10-60, color BAC707 gray gloss (SRF-14.9813).
Retainers (53,59,87,89,97,121 123,125,127,147, 149,151,153,749, 751,761A,793,795, 805)	Al alloy	Chemical treat and apply BMS 10-11, Type 1 primer (F-18.06). Apply enamel BMS 10-60, color BAC707 gray gloss (SRF-14.9813).
Retainers (77,79) Stiffeners (193,197,199,229, 247,275,293,321, 341,343,345,375) Rib Assembly (691,693) Beam Structural Details (709,711)	Al alloy	Chromic acid anodize, and apply BMS 10-11, Type 1 primer (F-18.13).
Cove Panels (175,177,189,191, 225,227,243,245, 271,273,289,291, 317,319,335,337, 371,373) Fitting Assembly (453,455,475,477) Door (717) Doubler (719)	Al alloy	Chemical treat and apply BMS 10-11, Type 1 primer (F-18.06).

Refinish Details
 Table 601 (Sheet 8)

57-43-51

REPAIR 10-1

01.1

Page 609

Nov 01/00

IPL FIG. & ITEM	MATERIAL	FINISH
<u>Fig. 4</u> (Cont)		
Alignment Fitting (269)	15-5PH CRES, 180-200 ksi	Cadmium plate and apply primer, BMS 10-11, Type 1 (F-16.01).
Access Panel Assy (435,437,459,461)	Al alloy	Exterior surface of the skin: Chemical treat (F-17.04). Interior surface of the skin: Chemical treat and apply BMS 10-11, Type 1 primer (F-20.02).
Plate (653,655)	Al-Ni-Br	Cadmium plate and apply BMS 10-11, Type 1 primer (F-16.01).
Rib (790,792,794,796)	Al alloy	Chromic acid anodize and apply primer, BMS 10-11, Type 1 (F-18.13), but not no primer in holes. Optional to apply colored chemical coating (F-17.10) to holes only.
Closure Panel Fitting (848,850)	15-5PH or 17-4PH CRES, 150-170 ksi	Cadmium plate (F-15.06). Apply primer BMS 10-11, Type 1 (F-20.02) to all surfaces but the threaded hole.

Refinish Details
 Table 601 (Sheet 8)

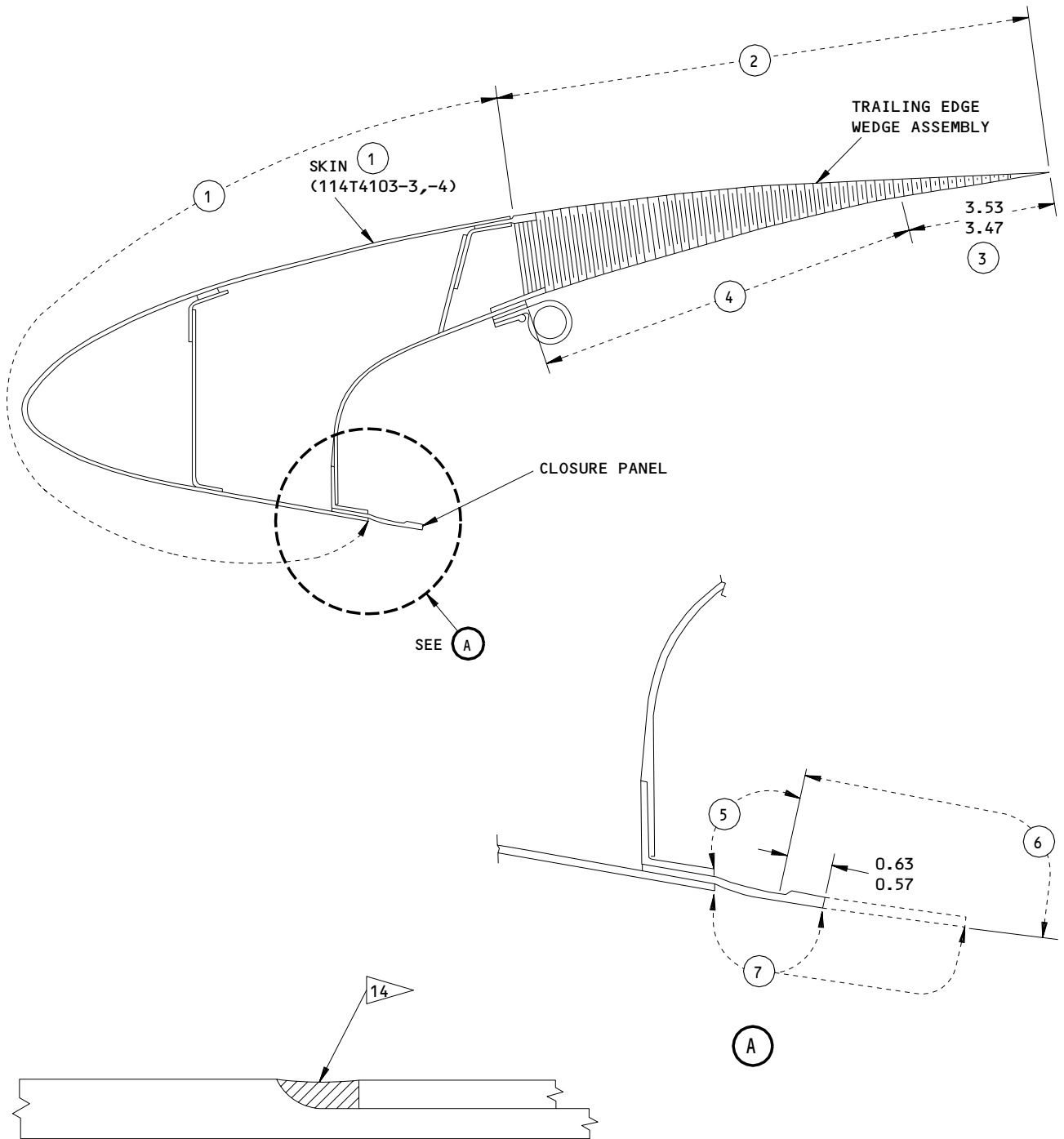
57-43-51

REPAIR 10-1

01.1

Page 610

Nov 01/00



TYPICAL SKIN JOINT

Slat Structure Assembly Refinish
Figure 601 (Sheet 1)

57-43-51

REPAIR 10-1

01.1

Page 611

Nov 01/00

PART NUMBER	AREA OF REFINISH (SEE FIG. 601)						
	①	②	③	④	⑤	⑥	⑦
114T4103-13SP, -14SP,-21SP, -22SP,-25SP, -26SP, -27 THRU -30, -31SP,-32SP, -37SP,-38SP	1	3 4	3 6	7	8	10	11
114T4103-23, -24	1	3 4	3 6	7	8	10	12
114T4103-39, -40	1	3 4	3 6	7	8	10	11
114T4103-401SP -402SP,-403G, -404G,-405G, -406G,-407G, -408G,-409G, -410G,-411G, -412G	1	3 5	3 6	7	8	10	13
114T4103-51, -52,-57SP THRU -60SP	2	3 5	3 6	7	8	10	13

TABLE A

NOTE:

IF NECESSARY, FOR 015T1507-XXX PART NUMBER ASSEMBLIES, SEE SB 767-57A0057 TO DETERMINE THE ORIGINAL ASSEMBLY NUMBER, THEN REFINISH AS SHOWN IN FIGURE 601.

Slat Structure Assembly Refinish
 Figure 601 (Sheet 2)

57-43-51

REPAIR 10-1

Page 612

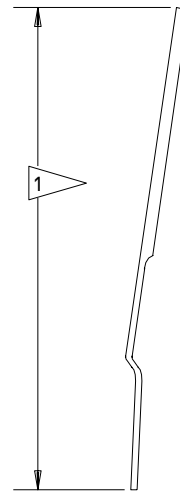
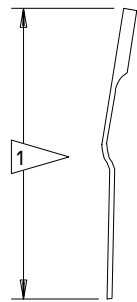
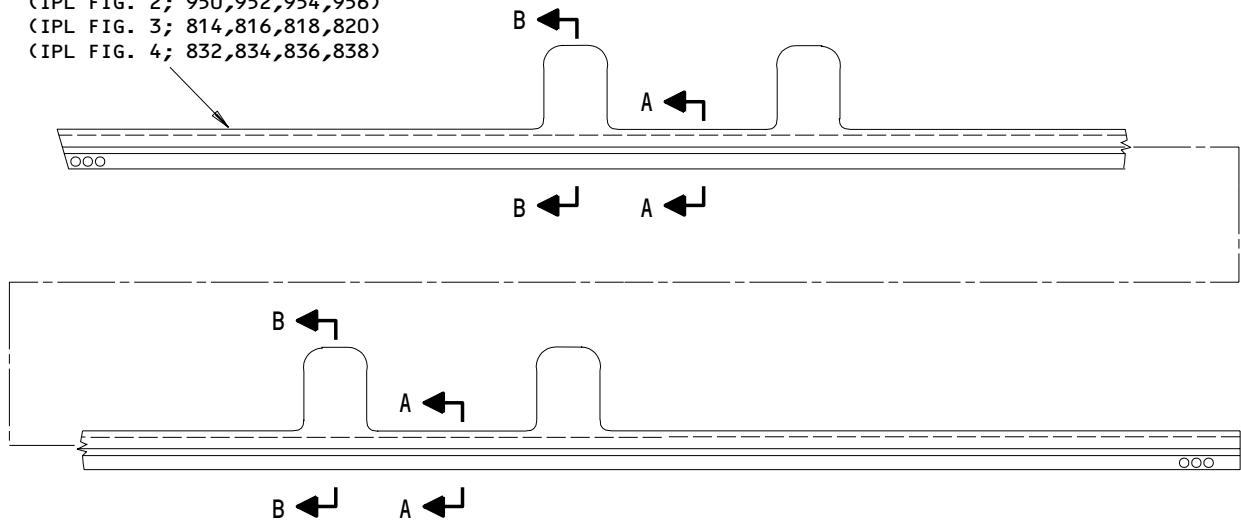
Nov 01/00

01.1

- 1 CHEMICAL TREAT (F-17.40), THEN MECHANICALLY POLISH
- 2 APPLY AZTEC 649 PROTECTIVE FINISH AS SPECIFIED BY SOPM 20-44-02
- 3 IF NECESSARY, SEE WEDGE ASSEMBLY REFINISH INFORMATION FOR TREATMENT OF UPPER AND LOWER METAL SKINS
- 4 CHEMICAL TREAT (F-17.10) ANY UNTREATED AREAS OF ALUMINUM OR ALUMINUM RIVET HEADS
- 5 CHEMICAL TREAT (F-17.10) ANY UNTREATED AREAS OF ALUMINUM OR ALUMINUM RIVET HEADS, THEN APPLY BMS 10-79, TYPE 3 PRIMER (F-19.47) AND BMS 10-60, TYPE 2 ENAMEL (F-19.39) IN THE OPERATORS COLOR SCHEME
- 6 CHEMICAL TREAT (F-17.10) ANY UNTREATED AREAS OF ALUMINUM OR ALUMINUM RIVET HEADS, THEN APPLY BMS 10-79, TYPE 3 PRIMER (F-19.47) AND TYPE 27 ABRASION RESISTANT FINISH IN THE OPERATORS COLOR SCHEME (F-14.9624 OR F-14.9625) TO A THICKNESS OF 0.005-0.010 INCH
- 7 CHEMICAL TREAT (F-17.10) ANY UNTREATED AREAS OF ALUMINUM OR ALUMINUM RIVET HEADS, THEN APPLY BMS 10-79, TYPE 1 PRIMER (F-19.47) AND TYPE 27 ABRASION RESISTANT FINISH IN THE OPERATORS COLOR SCHEME (F-14.9624 OR F-14.9625) TO A THICKNESS OF 0.002-0.005 INCH
- 8 APPLY BMS 10-79, TYPE 3 PRIMER (F-19.47) AND BMS 10-60, TYPE 2 ENAMEL (F-19.39) IN THE OPERATORS COLOR SCHEME
- 9 APPLY BMS 10-79, TYPE 2 PRIMER AND BMS 10-60, TYPE 2 ENAMEL (F-19.39) IN THE OPERATORS COLOR SCHEME
- 10 APPLY BMS 10-79, TYPE 3 PRIMER (F-19.47) AND TYPE 27 ABRASION RESISTANT FINISH IN THE OPERATORS COLOR SCHEME (F-14.9624 OR F-14.9625) TO A THICKNESS OF 0.005-0.010 INCH
- 11 APPLY BMS 10-60, TYPE 2 ENAMEL (F-19.39) IN THE OPERATORS COLOR SCHEME
- 12 NO FINISH ON THIS AREA
- 13 APPLY BMS 10-79, TYPE 3 PRIMER (F-19.47) AND BMS 10-60, TYPE 2 ENAMEL (F-19.39) IN THE OPERATORS COLOR SCHEME
- 14 BEFORE YOU APPLY PROTECTIVE FINISHES, FILL ALL SKIN JOINTS WITH AERODYNAMIC SMOOTHER BMS 5-95 AS SPECIFIED BY SOPM 20-50-11, METHOD 2. AERO SMOOTHER MUST BE FLUSH OR BELOW THE SKIN SURFACE. REMOVE EXCESS AS SPECIFIED BY SOPM 20-50-11

Slat Structure Assembly Refinish
Figure 601 (Sheet 3)

CLOSURE PANEL
 (IPL FIG. 2; 950,952,954,956)
 (IPL FIG. 3; 814,816,818,820)
 (IPL FIG. 4; 832,834,836,838)



REFINISH

PREPARE THE SURFACE (SRF-14.672) THEN APPLY COATING 1.

1 APPLY BMS 10-21, CONDUCTIVE COATING (F-14.685), THEN APPLY BMS 10-79, TYPE 2 PRIMER (F-19.46)

Slat Structure Assembly Refinish
 Figure 602

57-43-51

REPAIR 10-1
 Page 614
 Nov 01/00

01.1

OUTBOARD SLAT STRUCTURE ASSEMBLY NO. 3 AND 10 - REPAIR 12-1

114T4103-13SP, -14SP, -21SP, -22SP, -23, -24, -25SP, -26SP,
-27 THRU -30, -31SP, -32SP, -37SP, -38SP, -39 THRU -42,
-45 THRU -54, -401SP, -402SP, -57SP THRU -60SP

NOTE: Refer to REPAIR-GENERAL for a list of applicable standard practices.

1. Wedge Assembly (428, 430, 432, 434, IPL Fig. 2), (392, 394, IPL Fig. 3), (393, 395, IPL Fig. 4) Replacement (Fig. 601)

NOTE: Use wedge alignment tool assembly A57003 at OSS 734.941 and 781.537. OSS locations are shown in Fig. 602.

- A. Use plywood or an equivalent material to make a fixture to hold the outboard slat structure assembly. The 757 fixture can be used with small changes.
- B. Put the slat structure assembly (1, 5, IPL Fig. 2, 3, and 4) in the fixture to prevent the slat structure assembly from movement during the repair.
- C. Install The Wedge Alignment Tool Assembly

- (1) Put wedge alignment tool assembly in position on the auxiliary arm/rib assembly (692, 694, 696, 698, IPL Fig. 2), (596, 597, 598, 599, 600, 601, 602, 603, IPL Fig. 3), (613, 615, 617, 619, IPL Fig. 4) at OSS 734.941.

NOTE: Make sure the wedge alignment tool assembly is used at the correct OSS location shown in Fig. 602.

- (2) Put the ball-lock pin thru the bushing hole at the end of the auxiliary arm assembly, with the dowel pin on the auxiliary arm.

57-43-51

REPAIR 12-1

01.1

Page 601

Mar 01/00

- (3) Add shim blocks between the auxiliary arm forks to not let them bend during the next step. Shim blocks are included in the wedge alignment tool assembly kit.
- (4) Use C-clamps to hold the wedge alignment tool assembly to the auxiliary arm. Install the C-clamps between the contour locators.
- (5) Do steps 1.C.(1) thru (4) again for the other auxiliary arm/rib assembly at OSS 781.537.
- (6) Adjust the two contour locators on each wedge alignment tool assembly to the contour of the slat. Do not move or bend the wedge assembly during this procedure. Tighten the knobs.

NOTE: The contour locations are for reference only, to help you hold the wedge.

- (7) Adjust the trailing edge locator on each wedge alignment tool assembly to the trailing edge of the wedge assembly. Do not move or bend the wedge assembly during this procedure. Tighten the knobs.

D. Remove Wedge Alignment Tool Assembly

- (1) Tag the wedge alignment tool assemblies to show the OSS locations.

CAUTION: THE WEDGE ALIGNMENT TOOL ASSEMBLIES WILL BE USED TO HELP GET THE CORRECT LOCATION FOR THE NEW WEDGE ASSEMBLY. MAKE SURE THAT THE KNOBS ARE TIGHT. DO NOT LOOSEN THE KNOBS OR MOVE THE TRAILING EDGE LOCATORS DURING THE FOLLOWING STEPS.

- (2) Loosen and remove the C-clamps and the shim blocks.
- (3) Remove the ball-lock pins from the bushing holes in the auxiliary arms.
- (4) Remove the wedge alignment tool assemblies.

E. Remove The Damaged Wedge Assembly

NOTE: Make a note of the location of parts as you remove them to help during re-assembly.

- (1) Remove the seal retainers (16, 18, 20, 22, 24, 26, IPL Fig. 2), (16, 18, 20, 22, 24, 26, 27, IPL Fig. 3), (11, IPL Fig. 4), and bulb seals (28, 30, 32, 34, 36, 38, IPL Fig. 2), (28, 30, 32, 34, 36, 38, IPL Fig. 3), (13, 15, 17, 19, 21, 23, IPL Fig. 4) with bolts (10, IPL Fig. 2 and 3), (5, IPL Fig. 4) and washers (12, IPL Fig. 2 and 3), (7, IPL Fig. 4).

57-43-51

REPAIR 12-1

01.1

Page 602

Mar 01/98

(2) Make a note of the locations of the cove panels (170, 172, 188, 190, 228, 230, 246, 248, 278, 280, 302, 304, 334, 336, 352, 354, 384, 386, IPL Fig. 2), (174, 176, 188A, 189, 190, 191, 224, 226, 242, 244, 270, 272, 288, 290, 316, 318, 334, 335, 336, 337, 370, 372, IPL Fig. 3), (175, 177, 189, 191, 225, 227, 243, 245, 271, 273, 289, 291, 317, 319, 335, 319, 335, 337, 371, 373, IPL Fig. 4), stiffeners (192, 196, 197, 232, 250, 282, 306, 338, 358, 360, 362, 388, IPL Fig. 2), (192, 196, 197, 228, 246, 274, 292, 320, 340, 342, 344, 374, IPL Fig. 3), (193, 197, 199, 229, 247, 275, 293, 321, 345, 341, 343, 375, IPL Fig. 4) and fasteners to help during assembly.

(3) Remove all the fasteners along the lower and upper surfaces of the wedge assembly.

(4) Remove cove panels and stiffeners. Removal of some attaching parts could be necessary to let you remove the cove panels.

NOTE: Some stiffeners are attached to the back of the cove panels. Removal of these from the cove panels is not necessary.

(5) Remove the sealant from the gap between the leading edge skin and the wedge assembly.

(6) Lift and remove the wedge assembly from the slat. To help get it out, you can gently move it back and forth. Keep the damaged wedge assembly as a guide for nutplate replacement.

(7) Remove the shims between the lower surface of the wedge assembly and the slat ribs. Make a note of the shim locations. Some shims can be used again.

F. Prepare to Install the New Wedge Assembly

(1) Prepare the surface of the slat structure assembly.

(2) Put the new wedge assembly in position on the slat structure assembly. Align the ends of the wedge assembly with the ends of the slat structure assembly.

CAUTION: DO NOT MOVE OR CHANGE THE POSITION OF THE TRAILING EDGE LOCATORS ON THE WEDGE ALIGNMENT TOOL ASSEMBLIES.

(3) Install the tagged wedge alignment tool assemblies on the applicable auxiliary arms. (Refer to Step 1.C.)

57-43-51

REPAIR 12-1

01.1

Page 603

Mar 01/98

CAUTION: WHEN YOU USE CLAMPS, DO NOT APPLY TOO MUCH PRESSURE, OR YOU COULD PUT DENTS IN THE NEW WEDGE ASSEMBLY.

- (4) Apply pressure to keep the wedge assembly against the trailing edge locators. Adjust the position of the wedge assembly to the wedge tip location dimensions and the allowable short fastener hole dimensions as shown in Fig. 602. When you use clamps, use wood blocks in them to prevent damage to the upper surface of the wedge assembly. Use the contour locators to help hold the wedge in the correct position.
- (5) Measure the shim gaps between the ribs and the lower chord of the new wedge assembly. Make note of the shim thickness and location.

NOTE: No shims are permitted between the upper chord of wedge assembly and the leading edge skin of the slat structure assembly.

- (6) Remove the wedge alignment tool assemblies. (Refer to Step 1.D.)
- (7) Remove the wedge assembly.
- (8) Install the BACS40R*C*F shims on the ribs with wet or dry BMS 10-11, type 1 primer mixed per SOPM 20-41-02 and F-20.05. If necessary, remove layers from the shims to get the correct thickness measured in Step 1.F.(5). Maximum unshimmed gap is 0.0010 inch.
- (9) Install the tagged wedge alignment tool assemblies on the applicable auxiliary arm assemblies. (Refer to Step 1.C.)
- (10) Put the new wedge assembly in position on the slat structure assembly. Align the ends of the wedge assembly with the ends of the slat structure assembly.
- (11) Apply pressure to keep the wedge assembly against the trailing edge locators and the contour locators during the following steps. When you use clamps, use wood blocks in them to prevent damage to the upper surface of the wedge assembly.
- (12) Drill new holes along the upper chord of the wedge assembly to agree with the holes of the leading edge skin of the slat. Start in the middle and go toward the ends.
- (13) Install a sufficient number of temporary fasteners to hold the wedge assembly in position.

57-43-51

REPAIR 12-1

01.1

Page 604

Nov 01/01

- (14) Install the cove panels and stiffeners on the slat structure assembly with a sufficient number of screws and temporary fasteners to hold them in position.
- (15) Drill new holes along the lower chord of the wedge assembly to agree with the holes of the cove panels. Start in the middle and go toward the ends.
- (16) Remove the wedge alignment tool assemblies. (Refer to Step 1.D.)
- (17) Remove all temporary fasteners.
- (18) Remove the cove panels and stiffeners.
- (19) Remove the wedge assembly from the slat structure assembly. To help get it out, you can gently move it back and forth.
- (20) Install the nutplates on the new wedge assembly.
 - (a) Drill nutplate rivet holes on the lower surface of the wedge assembly. Use the old wedge assembly as a guide for nutplate replacement.
 - (b) Countersink the bolt holes and remove burrs.
 - (c) Chemical treat and apply BMS 10-11, type 1 primer to shims and all bare metal surfaces.
 - (d) Install the nutplates with rivets.
- (21) Clean and prepare the slat structure and the wedge assembly for final assembly of the wedge assembly.

G. Final Installation of New Wedge Assembly

- (1) Put the new wedge assembly in position on the slat structure assembly. Make sure the ends of the wedge assembly align with ends of the slat structure assembly. Make sure the holes on the new wedge assembly are aligned with the holes on the slat leading edge skin and cover panels.
- (2) Install a sufficient number of temporary fasteners to hold the cove panels, stiffeners, and the wedge assembly in position.

- | (3) Install the final fasteners.
- | (4) Remove all temporary fasteners and install the final fasteners.
- | (5) Fill skin joints with aerodynamic smoother BMS 5-95 per SOPM 20-50-11 method 2. Aerodynamic smoother must be flush or below skin surface. Remove unwanted smoother.
- | (6) Apply final finish. (Refer to MISCELLANEOUS PARTS REFINISH, REPAIR 10-1.)
- | (7) Install all other parts you removed.

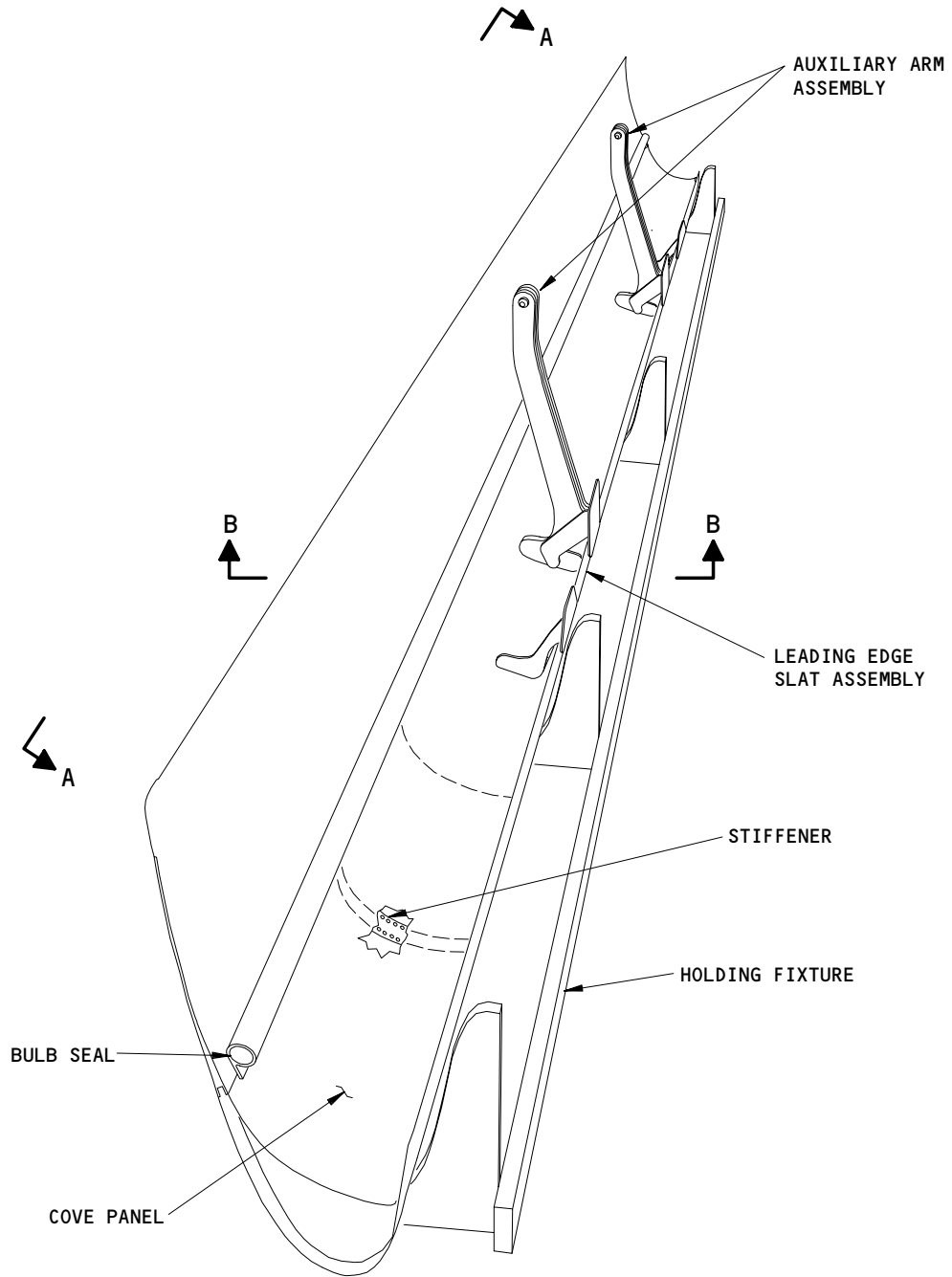
57-43-51

REPAIR 12-1

01.1

Page 606

Mar 01/98



(SHOWN WITHOUT LOCATOR TOOLS)

Wedge Assembly Replacement
Figure 601 (Sheet 1)

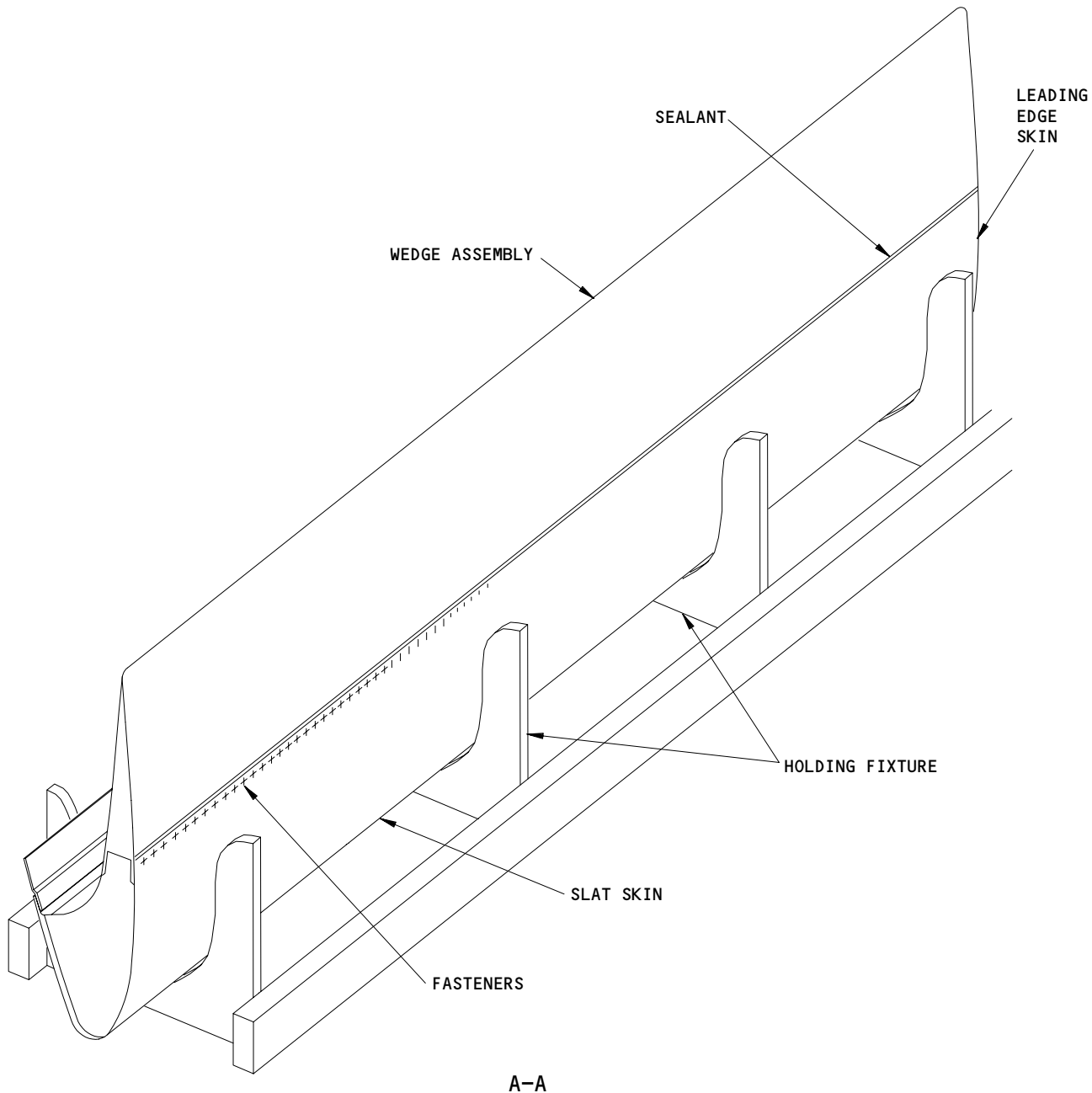
57-43-51

REPAIR 12-1

01.1

Page 607

Jun 01/97

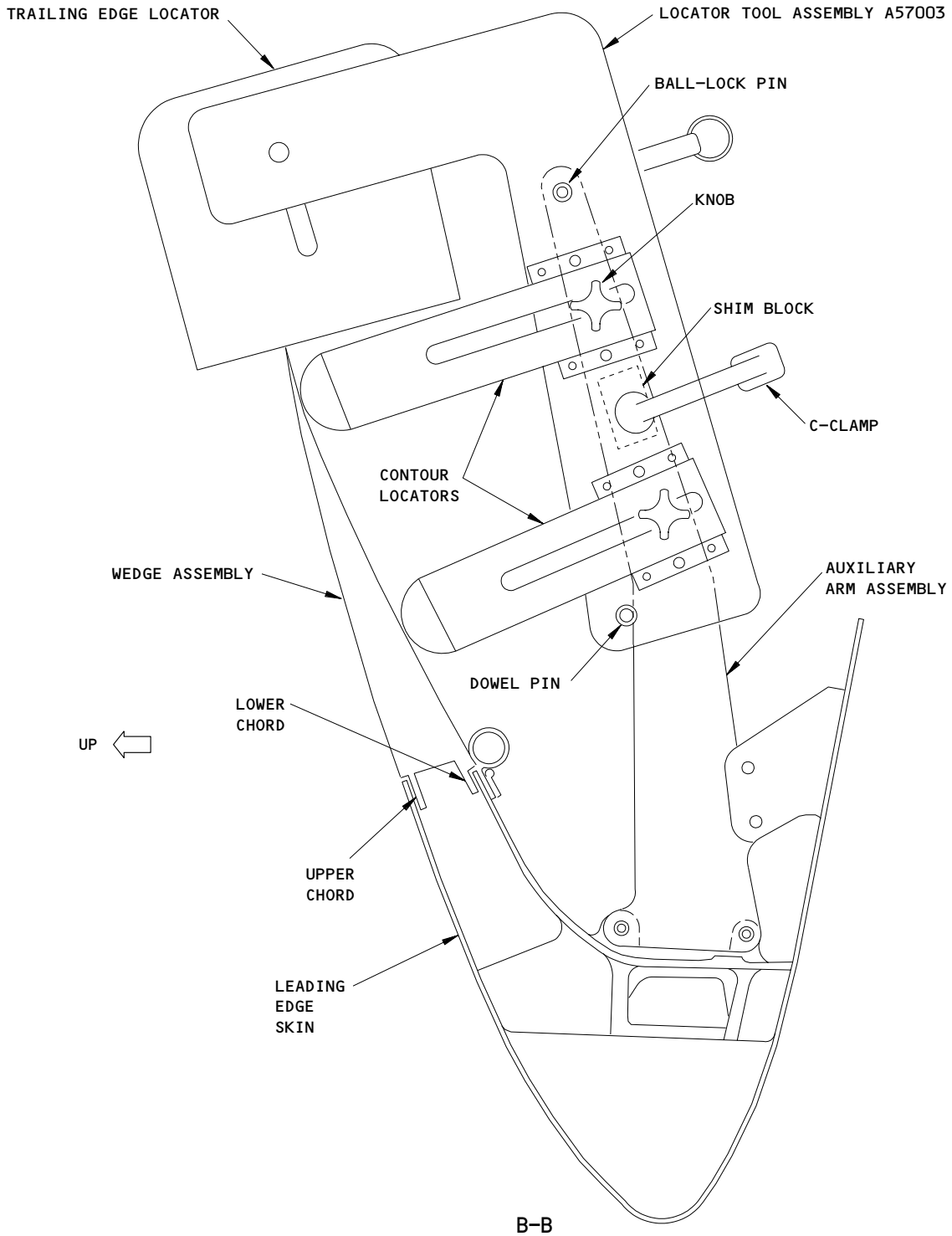


Wedge Assembly Replacement
Figure 601 (Sheet 2)

57-43-51

REPAIR 12-1
Page 608
Jun 01/97

01.1



Wedge Assembly Replacement
Figure 601 (Sheet 3)

57-43-51

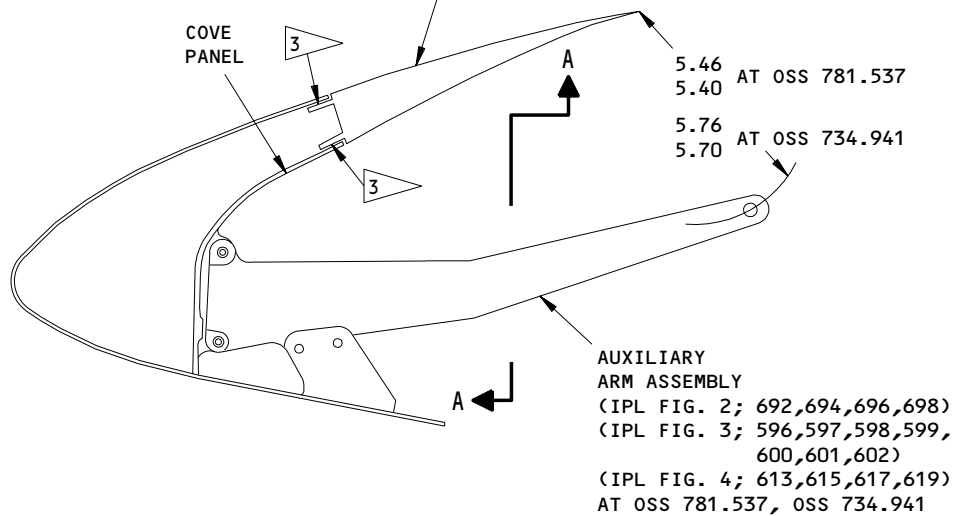
REPAIR 12-1

Page 609

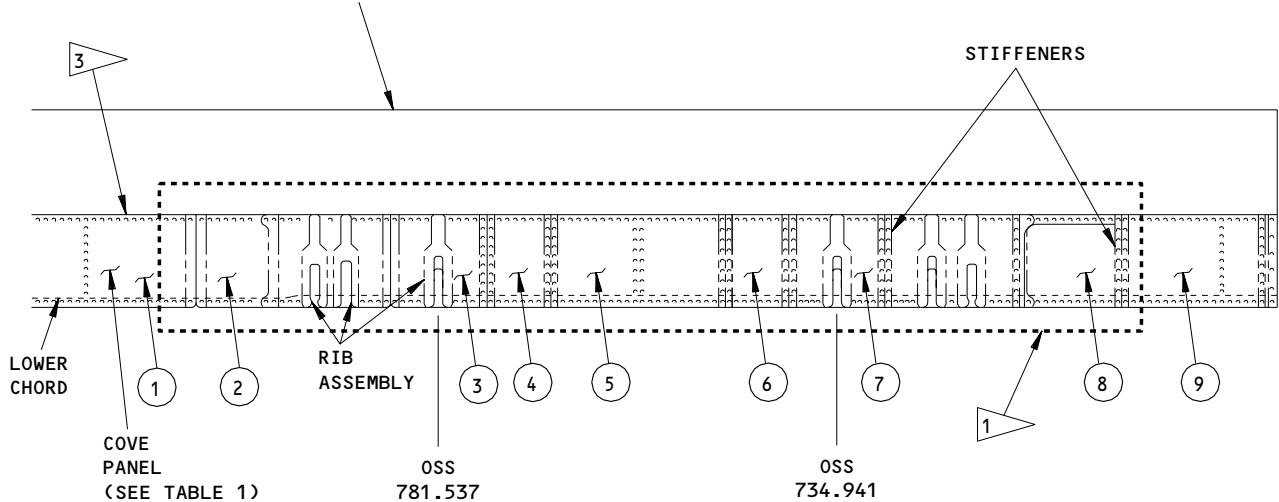
Jun 01/97

01.1

WEDGE ASSEMBLY
 (IPL FIG. 2; 428,430,432,434)
 (IPL FIG. 3; 392,394)
 (IPL FIG. 4; 393,395)



WEDGE ASSEMBLY
 (IPL FIG. 2; 428,430,432,434)
 (IPL FIG. 3; 392,394)
 (IPL FIG. 4; 393,395)



INBD

LEFT SIDE SHOWN
 (RIGHT SIDE OPPOSITE)
 (AUXILIARY ARMS NOT SHOWN)
 A-A

ALL DIMENSIONS ARE IN INCHES

Rivet Substitution
 Figure 602 (Sheet 1)

57-43-51

REPAIR 12-1

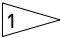
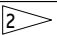
01.1

Page 610

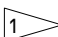
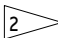
Nov 01/01

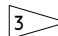
COVE PANEL LOCATION	IPL FIG. 2 ITEM NO.	IPL FIG. 3 ITEM NO.	IPL FIG. 4 ITEM NO.
①	170,172	174,176	175,177
②	188,190	188A,189,190,191	189,191
③	228,230	224,226	225,227
④	246,248	242,244	243,245
⑤	278,280	270,272	271,273
⑥	302,304	288,290	289,291
⑦	334,336	316,318	317,319
⑧	352,354	334,335,336,337	335,337
⑨	384,386	370,372	371,373

COVE PANEL IDENTIFICATION
 TABLE 1

SUBSTITUTION FASTENER 	SUBSTITUTION AREA
NAS1398MW*A*, NAS1738E*, BACR15FR*E	AREA COMMON TO COVE PANEL AND THE RIB
NAS1398D*A*, NAS1398MW*A*, NAS1738E*, BACR15FR*E	AREA COMMON TO COVE PANEL AND THE WEDGE
MS21141U**P OPTIONAL: HILOKS BACB30VT*K* IN CLASS I HOLES (HILOKS INSTALLED WITH MANUFACTURED HEAD ON THE INSIDE OF THE SLAT BODY)	AREA COMMON TO COVE PANEL, RIB, AND THE WEDGE
MS21141U**P	AREA COMMON TO COVE PANEL AND THE LOWER CHORD
MS21141U**P	AREA COMMON TO COVE PANEL AND STIFFENERS
BACR15CE*AD* OR BACR15CE*D*	AREA WHERE BACR15CE*K* FASTENERS ARE USED. 

SUBSTITUTION
 TABLE 2

-  RIVET SUBSTITUTIONS ALLOWED WITHIN SPECIFIED AREA.
 BLIND RIVET SUBSTITUTIONS ARE NOT PERMITTED FOR BOLTS OR SCREWS
-  SUBSTITUTION IS OPTIONAL. BUT IF YOU SUBSTITUTE, USE ONLY ONE TYPE OF RIVETS FOR ALL SUBSTITUTIONS. DO NOT MIX RIVET TYPES

-  SHORT FASTENER HOLE EDGE DISTANCES ARE PERMITTED IN THIS AREA
1. FASTENER HOLE EDGE DISTANCE OF 1.50 X FASTENER DIAMETER AT ALL LOCATIONS AT ALL LOCATIONS ON WEDGE SPAR CHORDS
 2. FASTENER HOLE EDGE DISTANCE OF 1.25-1.50 X FASTENER DIAMETER IN NO MORE THAN 2 CONSECUTIVE FASTENER HOLES AND IN NO MORE THAN 3 IN ANY 10 CONSECUTIVE FASTENER HOLES
 3. FASTENER HOLE EDGE DISTANCE IS MEASURED FROM CENTER OF HOLE TO FREE EDGE OF CHORD

Rivet Substitution
 Figure 602 (Sheet 2)

ASSEMBLY

1. Materials

NOTE: Equivalent substitutes may be used.

- A. Adhesive -- Type 60 (Ref 20-50-12)
- B. Compound, Corrosion Preventive -- MIL-C-11796, class 3 (Ref 20-60-04)
- C. Enamel -- BMS 10-60, BAC701 black gloss (Ref 20-60-02)
- D. Sealant -- BMS 5-95 (Ref 20-60-04)

2. Assembly

CAUTION: USE ONLY TITANIUM OR CORROSION RESISTANT STEEL FASTENERS WITH GRAPHITE COMPOSITES. SUBSTITUTION OF ALUMINUM OR PLATED ALLOY STEEL FASTENERS WILL CAUSE GALVANIC CORROSION WHICH WILL SHORTEN COMPONENT SERVICE LIFE.

- A. Use standard industry practices for the assembly of this component, plus additional procedures in following steps.
- B. Assembly sequence (IPL Fig. 1).
 - (1) Assemble slat structure assembly (1, 5) except temporarily omit all seals.
 - (2) Paint partially completed slat structure assembly per Miscellaneous Parts - Repair 10-1.
 - (3) Finish assembly of component.
- C. Assemble auxiliary arm and rib assembly (692, 694, 696, 698, IPL Fig. 2).
 - (1) Fay surface seal rub plate (724A, 725) to auxiliary arm assembly (740, 742, 744, 746, 760, 762, 764, 766) using BMS 5-95 sealant.
 - (2) Fay surface seal arms (752, 754, 756, 758, 772, 774, 776, 778) to ribs (790, 792, 794, 796) with sealant BMS 5-95.
 - (3) Fill gaps between rub plate (724A, 725) and bushing (750A, 770A) flanges using BMS 5-95 sealant.
 - (4) Install fasteners (718A, 718B, 720, 722, 722A) using BMS 5-95 sealant.
 - (5) Coat fastener (737) with BMS 5-95 sealant. Entire threaded portion of bolt must be covered with sealant prior to inserting bolt in hole.

57-43-51

ASSEMBLY
Page 701
Jun 01/97

01.1

- (6) Install collar (738A) and clean off excess sealant.
 - (7) Deleted.
- D. Assemble auxiliary rib assembly (596, 597, 598, 599, 600, 601, 602, 603, IPL Fig. 3).
- (1) Lay surface seal rub plates (632, 634) to ribs (640, 641, 642, 643, 644, 645, 646, 647) using BMS 5-95 sealant.
 - (2) Install fasteners (626, 626A) using BMS 5-95 sealant.
 - (3) Fill gaps between rub plates (632, 634) and bushing (624) flanges using BMS 5-95 sealant.
- E. Assemble auxiliary rib assembly (613, 615, 617, 619, IPL Fig. 4).
- (1) Lay surface seal rub plates (653, 655) to ribs (657, 659, 661, 663) using BMS 5-95 sealant.
 - (2) Install fasteners (647, 647A) using BMS 5-95 sealant.
 - (3) Fill gaps between rub plates (653, 655) and bushing (645) flanges using BMS 5-95 sealant.
- F. Stencil cove panels and access panels (Fig. 701).
- (1) Stencil identification numbers per Fig. 701. Use BMS 10-60, BAC701 black gloss enamel. Make letters one-half (1/2) inch high.

57-43-51

ASSEMBLY
Page 702
Jun 01/97

01.1

IPL FIG. & ITEM			NAME	ID NUMBER	LOCATION
<u>FIG. 2</u>	<u>FIG. 3</u>	<u>FIG. 4</u>			
188	188A	189	COVE PANEL	524 EB	*[1]
190	190	191	COVE PANEL	624 EB	*[1]
246	242	243	COVE PANEL	524 DB	*[1]
248	244	245	COVE PANEL	624 DB	*[1]
302	288	289	COVE PANEL	524 CB	*[1]
304	290	291	COVE PANEL	624 CB	*[1]
352	334	335	COVE PANEL	524 BB	*[1]
354	336	337	COVE PANEL	624 BB	*[1]
488	430	435	ACCESS PANEL ASSEMBLY	524 FT	*[2]
490	432	437	ACCESS PANEL ASSEMBLY	624 FT	*[2]
504	446	459	ACCESS PANEL ASSEMBLY	524 AT	*[2]
506	448	461	ACCESS PANEL ASSEMBLY	624 AT	*[2]

- *[1] Lower right quadrant of concave surface.
 *[2] Approximately centered on concave surface.

Identification Numbers
 Figure 701

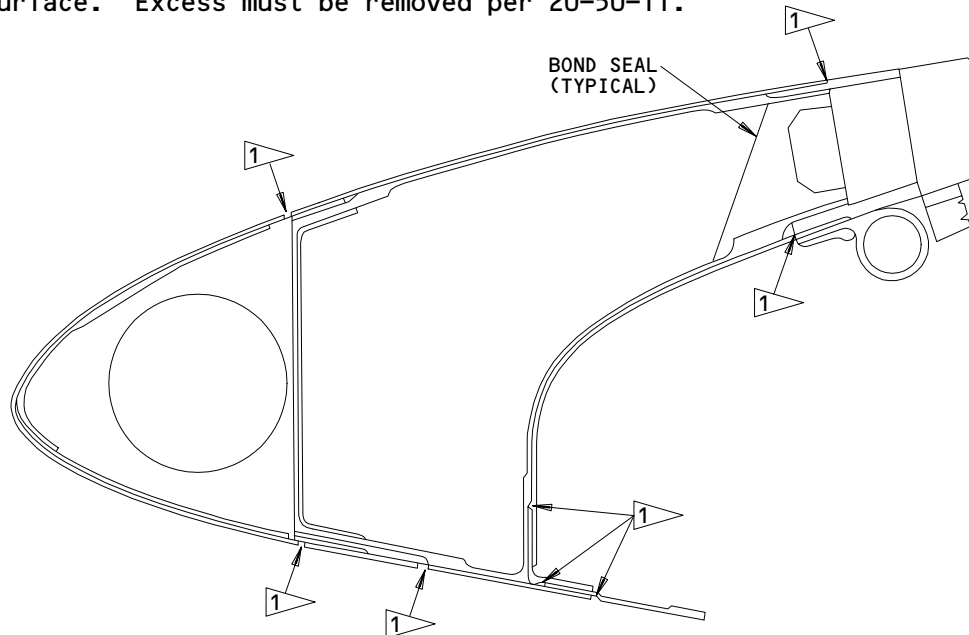
- G. Assemble outboard slat No. 3 and 10 wing leading edge structure assembly (1, 5, IPL Fig. 1).
- (1) Bond seals (82, 86, IPL Fig. 2; 82, 86, IPL Fig. 3; 67, 71, IPL Fig. 4) and slat structure assembly per 20-50-12, type 60.
 - (2) Bond seals (478, 480, 482, 484, 486, IPL Fig. 2; 426, IPL Fig. 3; 433, IPL Fig. 4) per 20-50-12, type 60 and Fig. 702.
 - (3) Bond seals (452 thru 474A, IPL Fig. 2; 408 thru 426, IPL Fig. 3; 415 thru 431, IPL Fig. 4) to shield per 20-50-12, type 60.
 - (4) Install cove panels (170, 172, 188, 190, 228, 230, 246, 248, 278, 280, 302, 304, 334, 336, 352, 354, 384, 386, IPL Fig. 2; 174, 176, 188A, 189, 190, 191, 224, 226, 242, 244, 270, 272, 288, 290, 316, 318, 334, 335, 336, 337, 370, 372, IPL Fig. 3; 175, 177, 189, 191, 225, 227, 243, 245, 271, 273, 289, 291, 317, 319, 335, 337, 371, 373, IPL Fig. 4) access panel assemblies (448, 490, 504, 506, IPL Fig. 2; 430, 432, 446, 448, IPL Fig. 3; 435, 437, 459, 461, IPL Fig. 4), and retainers (16, 20, 24, IPL Fig. 2; 16, 20, 24, IPL Fig. 3).
 - (a) Apply corrosion preventive compound, MIL-C-11796, class 3 to all areas of bolt holes, including any countersink, counterbore, or other recess and immediately install bolt (F-19.11).

57-43-51

ASSEMBLY
 Page 703
 Jun 01/97

01.1

- (5) Fill skin joints (Fig. 702) using aerosmoothen BMS 5-95 per 20-50-12, method 2. Aerosmoothen must be flush or below skin surface. Excess must be removed per 20-50-11.



1 FILL CAVITIES COMPLETELY WITH BMS 5-95 SEALANT. EXTERNAL SEALANT MUST BE FLUSH OR BELOW SKIN SURFACE

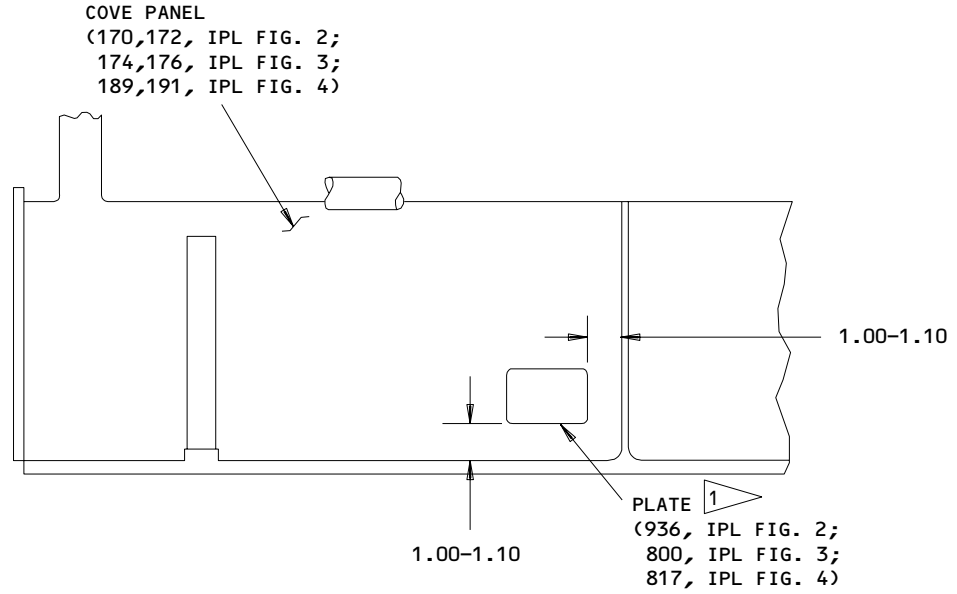
Sealant Application
Figure 702

142999

57-43-51

01.1

ASSEMBLY
Page 704
Jun 01/97



1 FAY SEAL USING BMS 5-95 SEALANT

ALL DIMENSIONS ARE IN INCHES

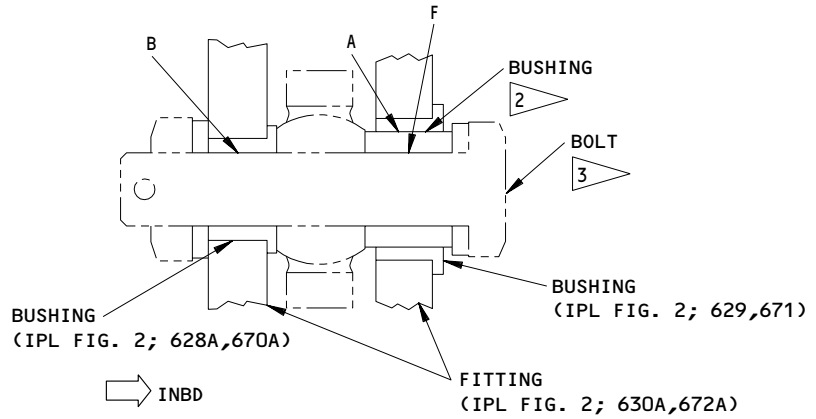
Identification Plate Installation
Figure 703

143389

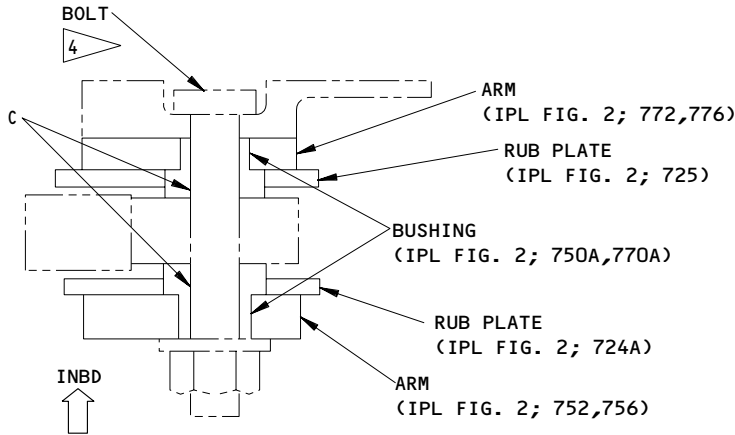
57-43-51

01.1 ASSEMBLY
Page 705
Jun 01/97

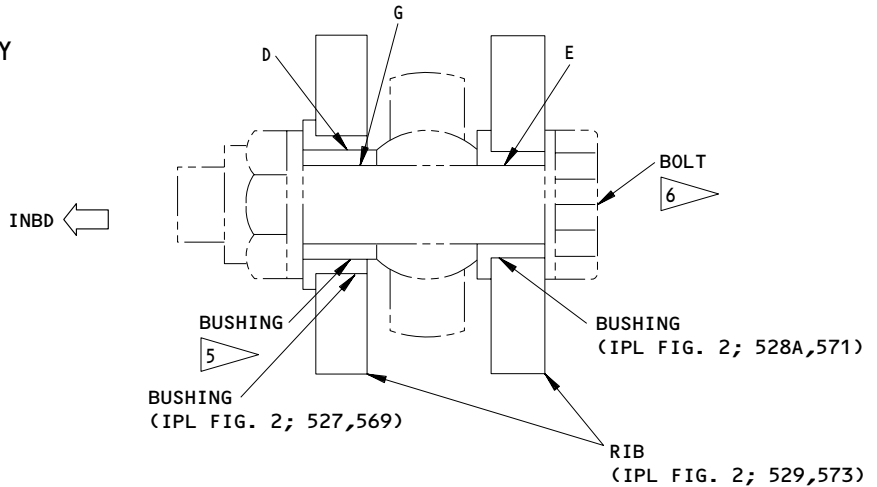
FITS AND CLEARANCES



MAIN TRACK RIB ASSEMBLY



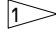
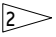
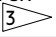
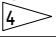

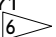
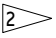
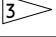


AUXILIARY ARM ASSEMBLY




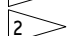

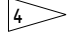
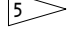
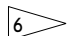
ACTUATOR RIB ASSEMBLY

Fits and Clearances
 Figure 801 (Sheet 1)

57-43-51

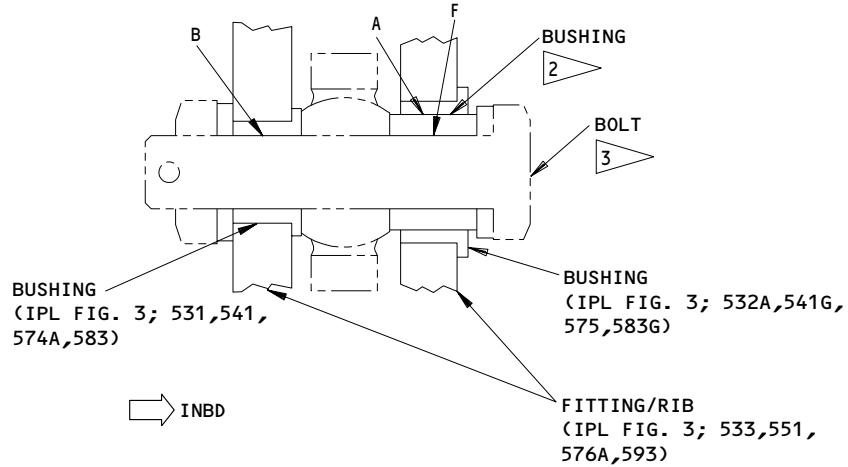
Ref Letter Fig.801	Mating Item No. IPL Fig.2	Design Dimension				Service Wear Limit		
		Dimension		Assembly Clearance 		Dimension		Maximum Clearance
		Min	Max	Min	Max	Min	Max	
A	ID 624,671	0.8120	0.8128	0.0005	0.0018	0.8075	0.8168	0.0053
	OD 	0.8110	0.8115					
B	ID 628A, 670A	0.5620	0.5627	0.0005	0.0017	0.5577	0.5665	0.0050
	OD 	0.5610	0.5615					
C	ID 750A, 770A	0.2500	0.2505	0.0005	0.0020	0.2455	0.2545	0.0050
	OD 	0.2485	0.2495					
D	ID 527,569	0.4375	0.4382	0.0005	0.0017	0.4332	0.4420	0.0050
	OD 	0.4365	0.4370					
E	ID 528A, 571	0.3125	0.3131	0.0005	0.0016	0.3081	0.3170	0.0050
	OD 	0.3115	0.3120					
F	ID 	0.5620	0.5625	0.0005	0.0015			
	OD 	0.5610	0.5615					
G	ID 	0.3125	0.3130	0.0005	0.0015			
	OD 	0.3115	0.3120					

ALL DIMENSIONS ARE IN INCHES

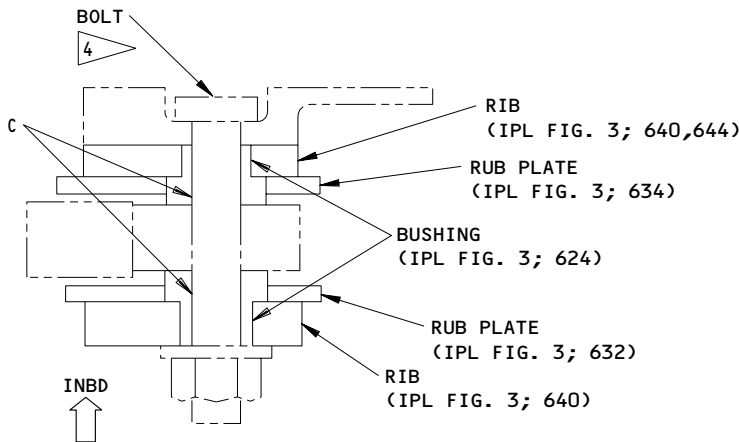
-  NEGATIVE VALUES DENOTE INTERFERENCE FIT
-  INSTALLATION BUSHING, BACB28AK09-058 (REF)
(USED ON 114T4000)
-  INSTALLATION BOLT, BACB30LT9DU27 (REF)
(USED ON 114T4000)
-  INSTALLATION BOLT, 114T4145-() (REF)
(USED ON 114T4000)
-  INSTALLATION BUSHING, BACB28AK05-034 (REF)
(USED ON 114T0202)
-  INSTALLATION BOLT, BACB30LT5DU16 (REF)
(USED ON 114T0202)

Fits and Clearances
Figure 801 (Sheet 2)

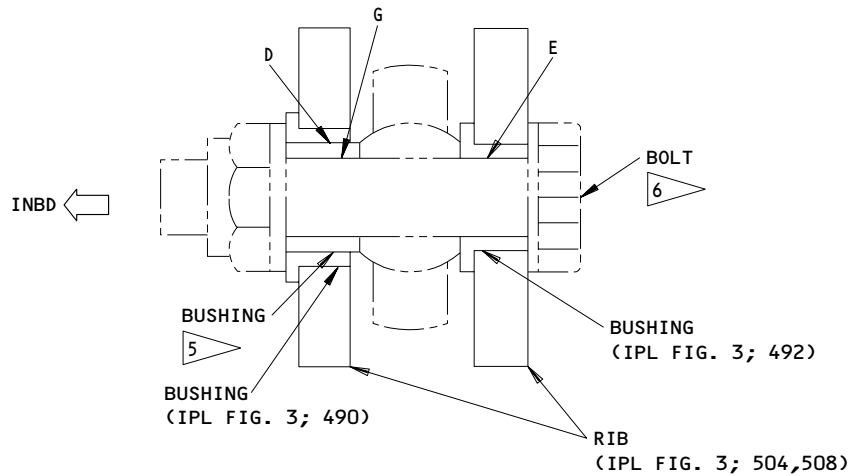
57-43-51



MAIN TRACK RIB ASSEMBLY



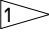
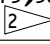


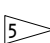
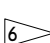
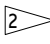
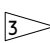

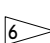
AUXILIARY RIB ASSEMBLY



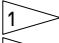
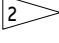
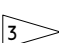
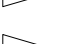
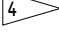
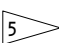
ACTUATOR RIB ASSEMBLY

Fits and Clearances
 Figure 802 (Sheet 1)

57-43-51

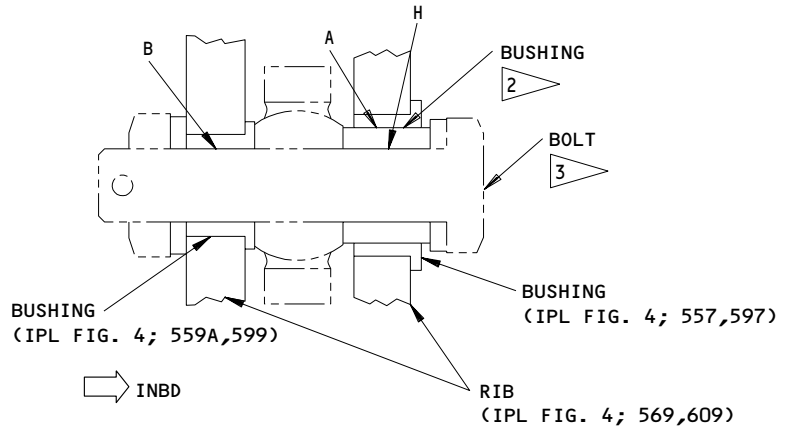
Ref Letter Fig.802	Mating Item No. IPL Fig.3	Design Dimension				Service Wear Limit		
		Dimension		Assembly Clearance 		Dimension		Maximum Clearance
		Min	Max	Min	Max	Min	Max	
A	ID 532A,541G 575,583G OD 	0.8120	0.8128	0.0005	0.0018	0.8075	0.8168	0.0053
		0.8110	0.8115					
B	ID 531,541, 574A,583 OD 	0.5620	0.5627	0.0005	0.0017	0.5577	0.5665	0.0050
		0.5610	0.5615					
C	ID 624 OD 	0.2500	0.2505	0.0005	0.0020	0.2455	0.2545	0.0050
		0.2485	0.2495					
D	ID 490 OD 	0.4375	0.4382	0.0005	0.0017	0.4332	0.4420	0.0050
		0.4365	0.4370					
E	ID 492 OD 	0.3125	0.3131	0.0005	0.0016	0.3081	0.3170	0.0050
		0.3115	0.3120					
F	ID  OD 	0.5620	0.5625	0.0005	0.0015			
		0.5610	0.5615					
G	ID  OD 	0.3125	0.3130	0.0005	0.0015			
		0.3115	0.3120					

*ALL DIMENSIONS ARE IN INCHES

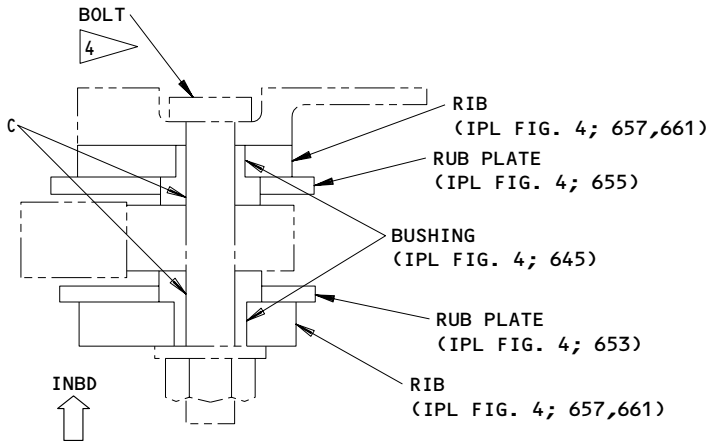
-  NEGATIVE VALUES DENOTE INTERFERENCE FIT
-  INSTALLATION BUSHING, BACB28AK09-058 (REF)
(USED ON 114T4000)
-  INSTALLATION BOLT, BACB30LT9DU27 (REF)
(USED ON 114T4000)
-  INSTALLATION BOLT, 114T4145-() (REF)
(USED ON 114T4000)
-  INSTALLATION BUSHING, BACB28AK05-034 (REF)
(USED ON 114T0202)
-  INSTALLATION BOLT, BACB30LT5DU16 (REF)
(USED ON 114T0202)

Fits and Clearances
 Figure 802 (Sheet 2)

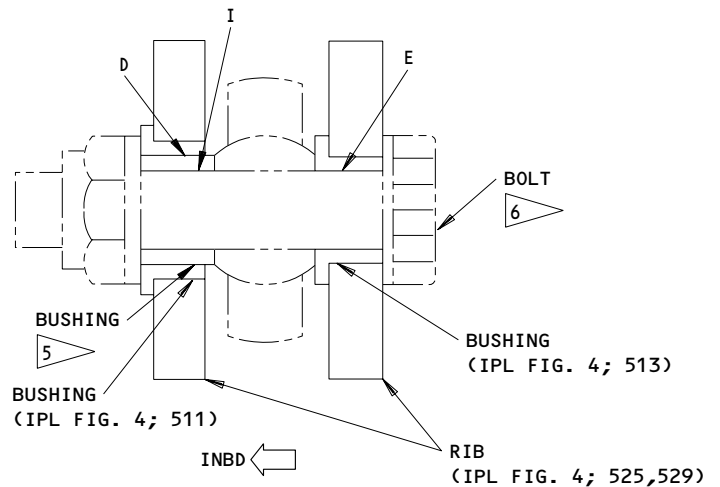
57-43-51



MAIN TRACK RIB ASSEMBLY



AUXILIARY RIB ASSEMBLY

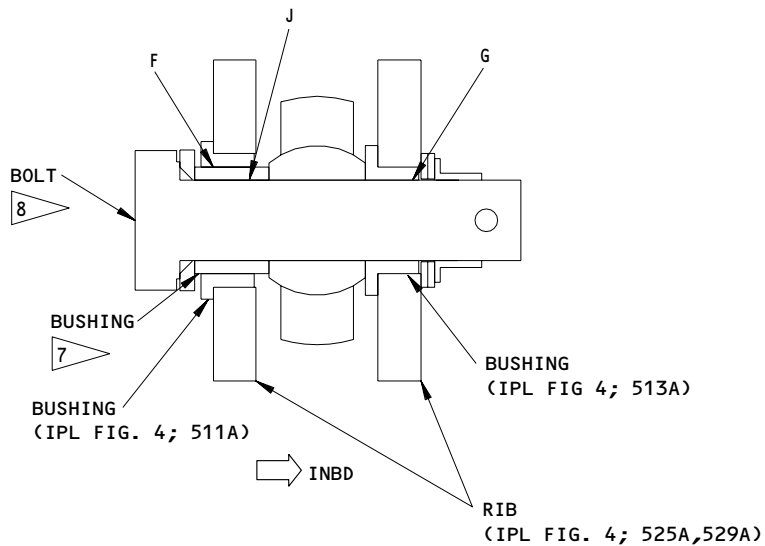


ACTUATOR RIB ASSEMBLY

Fits and Clearances
 Figure 803 (Sheet 1)

57-43-51

FITS AND CLEARANCES
 01.1 Page 805
 Mar 01/04

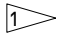
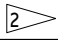
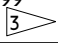
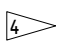
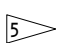
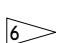
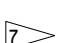
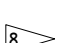
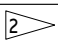
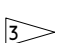
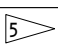
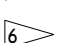
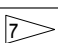
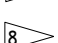


ACTUATOR RIB ASSEMBLY

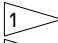
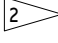
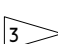
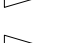
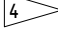
Fits and Clearances
Figure 803 (Sheet 2)

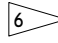
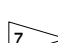
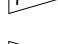
57-43-51

FITS AND CLEARANCES
01.1 Page 806
Mar 01/04

Ref Letter Fig.803	Mating Item No. IPL Fig.4	Design Dimension				Service Wear Limit		
		Dimension		Assembly Clearance 		Dimension		Maximum Clearance
		Min	Max	Min	Max	Min	Max	
A	ID 557,597	0.8120	0.8128	0.0005	0.0018	0.8075	0.8168	0.0053
	OD 	0.8110	0.8115					
B	ID 559A, 599	0.5620	0.5627	0.0005	0.0017	0.5577	0.5665	0.0050
	OD 	0.5610	0.5615					
C	ID 645	0.2500	0.2505	0.0005	0.0020	0.2455	0.2545	0.0050
	OD 	0.2485	0.2495					
D	ID 511	0.4375	0.4382	0.0005	0.0017	0.4332	0.4420	0.0050
	OD 	0.4365	0.4370					
E	ID 513	0.3125	0.3131	0.0005	0.0016	0.3081	0.3170	0.0050
	OD 	0.3115	0.3120					
F	ID 511A	0.5000	0.5007	0.0005	0.0017	0.4957	0.5045	0.0050
	OD 	0.4990	0.4995					
G	ID 513A	0.3750	0.3756	0.0005	0.0016	0.3706	0.3795	0.0050
	OD 	0.3740	0.3745					
H	ID 	0.5620	0.5625	0.0005	0.0015			
	OD 	0.5610	0.5615					
I	ID 	0.3125	0.3130	0.0005	0.0015			
	OD 	0.3115	0.3120					
J	ID 	0.3750	0.3755	0.0005	0.0015			
	OD 	0.3740	0.3745					

*ALL DIMENSIONS ARE IN INCHES

-  NEGATIVE VALUES DENOTE INTERFERENCE FIT
-  INSTALLATION BUSHING, BACB28AK09-058 (REF)
(USED ON 114T4000)
-  INSTALLATION BOLT, BACB30LT9DU27 (REF)
(USED ON 114T4000)
-  INSTALLATION BOLT, 114T4145-() (REF)
(USED ON 114T4000)
-  INSTALLATION BUSHING, BACB28AK05-034 (REF)
(USED ON 114T0202)

-  INSTALLATION BOLT, BACB30LT5DU16 (REF)
(USED ON 114T0202)
-  INSTALLATION BUSHING, 114T0212-6
(USED ON 114T4000)
-  INSTALLATION BOLT, BACB30LTDU18
(USED ON 114T4000)

Fits and Clearances
 Figure 803 (Sheet 3)

57-43-51

SPECIAL TOOLS, FIXTURES, AND EQUIPMENT

NOTE: Equivalent substitutes may be used.

1. A57003-5, -6, -7 - OUTBD LE Slat Wedge Replacement Locating Equipment *[1]
2. Holding Fixture - Slat Structure Assembly Holding Fixture *[2]

*[1] A57003 supersedes MIT114T4111.

*[2] Locally fabricated from wood or equivalent material. Refer to Fig. 601 of REPAIR 12-1.

57-43-51

SPECIAL TOOLS

01.1

Page 901

Jun 01/97

ILLUSTRATED PARTS LIST

1. This section lists and illustrates replaceable or repairable component parts. The Illustrated Parts Catalog contains a complete explanation of the Boeing part numbering system.

2. Indentures show parts relationships as follows:

Assembly

Detail Parts for Assembly

Subassembly

Attaching Parts for Subassembly

Detail Parts for Subassembly

Detail Installation Parts (Included only if installation parts may be returned to shop as part of assembly)

3. One use code letter (A, B, C, etc.) is assigned in the EFF CODE column for each variation of top assembly. All listed parts are used on all top assemblies except when limitations are shown by use code letter opposite individual part entries. The use code letters given in one Figures parts list are not related to the use code letters given in a different Figures parts list.

4. Letter suffixes (alpha-variants) are added to item numbers for optional parts, Service Bulletin modification parts, configuration differences (except left- and right-hand parts), product improvement parts, and parts added between two sequential item numbers. The alpha-variant is not shown on illustrations when appearance and location of all variants of the part are the same.

5. Service Bulletin modifications are shown by the notations PRE SB XXXX and POST SB XXXX.

A. When a new top assembly part number is assigned by Service Bulletin, the notations appear at the top assembly level only. The configuration differences at detail part level are then shown by use code letter.

B. When the top assembly part number is not changed by the Service Bulletin, the notations appear at the detail part level.

6. Parts Interchangeability

Optional
(OPT)

The parts are optional to and interchangeable with other parts having the same item number.

Supersedes, Superseded By
(SUPSDS, SUPSD BY)

The part supersedes and is not interchangeable with the original part.

Replaces, Replaced By
(REPLS, REPLD BY)

The part replaces and is interchangeable with, or is an alternate to, the original part.

7. Boeing Proprietary Color-Coded Parts

- A. Color-coded parts are identified with an alpha or "SP" suffix. The entry represents consolidation of all color codes applicable for a given usage. Orders for color-coded parts should include the registry number of the airplane for which the parts are ordered.

8. Limited Usage

- A. When a part is identified as "LIMITED", the part is used on some, not all, of the configurations of the next higher assembly. Refer to the Illustrated Parts Catalogue (IPC) to determine the airplanes and assemblies these parts are used on.

57-43-51

ILLUSTRATED PARTS LIST
01.1 Page 1002
Nov 01/00

VENDORS

OPTK6 SPS TECHNOLOGIES INC AEROSPACE PRODUCTS DIV
5195 W 4700 SPO BOX 18459
KEARNS, UTAH 84118

06725 AIR INDUSTRIES CORPORATION
12570 KNOTT STREET
GARDEN GROVE, CALIFORNIA 92641-3932
FORMERLY AIR INDUSTRIES OF CALIF IN GARDENA, CALIF.

08524 DEUTSCH FASTENER CORP SEE CODE V97928

11815 CHERRY AEROSPACE FASTENERS DIV OF TEXTRON
1224 EAST WARNER AVENUE PO BOX 2157
SANTA ANA, CALIFORNIA 92707-0157
FORMERLY IN LOS ANGELES, CALIF, FORMERLY CHERRY FASTENERS
TOWNSEND DIV OF TEXTRON INC V71087

15653 FAIRCHILD FASTENERS KAYNAR PRODUCTS DIV
800 S STATE COLLEGE BLVD
FULLERTON, CALIFORNIA 92831-3001
FORMERLY VK6405 MICRODOT AEROSP LTD; FORMERLY KAYNAR TECH
KAYNAR DIV

5M902 FAIRCHILD IND INC FAIRCHILD AEROSPACE FASTENER DIV
3016 W LOMITA BLVD
TORRANCE, CALIFORNIA 90505-5103
FMLY IN REDONDO BEACH, CALIF

52828 REPUBLIC FASTENER MFG CORP
1300 RANCHO CONEJO BLVD
NEWBURY PARK, CALIFORNIA 91320-1405
FORMERLY IN SYLMAR, CALIFORNIA

56878 SPS TECHNOLOGIES INC AEROSPACE AND INDUSTRIAL PRODUCTS DIV
301 HIGHLAND AVE
JENKINTOWN, PENNSYLVANIA 19046
FORMERLY STANDARD PRESSED STEEL

60516 WEST COAST AEROSPACE INC
812 MIRAFLORES STREET
SAN PEDRO, CALIFORNIA 90731-1439

71087 BOOTS ACFT NUT DIV TOWNSEND CO SEE TEXTRON INC CHERRY
FASTENER TOWNSEND DIV V11815

57-43-51

ILLUSTRATED PARTS LIST
01.1 Page 1003
Mar 01/04

VENDORS

72962 HARVARD INDUSTRIES INC
3 WERNER WAY SUITE 210
LEBANON, NEW JERSEY 08833
FORMERLY AMERACE CORP ESNA DIV
FORMERLY ELASTIC STOP NUT IN UNION, NJ

73197 HI-SHEAR TECHNOLOGY CORP
2600 SKYPARK DRIVE
TORRANCE, CALIFORNIA 90509

80539 SPS TECHNOLOGIES INC AEROSPACE PRODUCTS DIV
2701 SOUTH HARBOR BOULEVARD PO BOX 1259
SANTA ANA, CALIFORNIA 92702-1259
FORMERLY NUTT-SHEL DIV OF SPC WESTERN CO V80539
AND STANDARD PRESSED STEEL WESTERN DIV V17279

92215 FAIRCHILD IND INC FAIRCHILD AEROSPACE FASTENER DIV
3010 W LOMITA BLVD
TORRANCE, CALIFORNIA 90505-5102
FORMERLY VOI-SHAN IN CULVER CITY, CALIF

97928 SEE V17446 HUCK INTL
SEE V17446 HUCK INTL
HUCK INTL SEE V17446 HUCK INTL

57-43-51

ILLUSTRATED PARTS LIST
01.1 Page 1004
Mar 01/04

015T0165
 015T1507
 114T4103
 DASH NUMBERS LIMITED

 **BOEING**
 COMPONENT
 MAINTENANCE MANUAL

PART NUMBER	AIRLINE PART NO.	FIG.	ITEM	TTL REQ	
AN960PD10		2	220	2	
		2	326	2	
		2	402	16	
		2	852	1	
		2	896	1	
		3	218	6	
		3	310	6	
		3	384	16	
		3	716	2	
		3	760	1	
		4	219	6	
		4	311	6	
		4	385	16	
		4	733	2	
		4	777	1	
	AN960PD10L		2	12	61
			2	58	22
			2	108	2
		2	122	24	
		2	834	48	
		2	854A	13	
		2	898	18	
		3	12	61	
		3	58	22	
		3	108	2	
		3	698	48	
		3	718A	16	
		3	762	18	
		4	7	55	
		4	7T	6	
		4	43	22	
		4	93	2	
		4	715	48	
		4	735	16	
		4	779	18	
AN960PD8L			2	720	8
		3	628	8	
		4	649	8	
BACB28AM07B020A		2	527	1	
		2	569	1	
		3	490	2	
		4	511	2	

57-43-51

ILLUSTRATED PARTS LIST
 01.1 Page 1005
 Mar 01/04

PART NUMBER	AIRLINE PART NO.	FIG.	ITEM	TTL REQ
BACB28AM13B023A		2	629	1
		2	671	1
		3	532A	1
BACB28AM13B023A		3	575	1
		3	541G	1
BACB28AM13B040A		3	583G	1
BACB28AP05P019		4	557	1
		4	597	1
		2	528A	1
		2	571	1
		3	492	2
BACB28AP09B039		4	513	2
		4	559A	1
		3	541	1
		3	583	1
BACB28AP09P039		4	599	1
		4	511A	2
		3	806M	12
BACB28AT08B019C		2	718B	8
BACB30FK6A5		3	626A	8
BACB30FN5A3		4	647A	8
BACB30FN5A3N		3	626	8
		4	647	8
BACB30LL3-9X		2	624A	1
		2	666A	1
		3	527	1
		3	570A	1
		2	106A	2
BACB30LR3-6		2	184A	18
		2	242A	5
		2	272A	2
		2	298A	5
		2	348A	16
		2	617	1
		2	659	1
		3	520A	1
BACB30MY12K10		3	563	1
		2	615	1
		2	657	1
		3	519	1
BACB30MY12K11		3	562A	1
		2	737	4
		2	557	10
BACB30MY14K22		2	600A	10
BACB30MY5K5		2	853	1
BACB30MY6K		4	865	2
		4		

57-43-51

 ILLUSTRATED PARTS LIST
 01.1 Page 1006
 Mar 01/04

015T0165
 015T1507
 114T4103
 DASH NUMBERS LIMITED

 **BOEING**
 COMPONENT
 MAINTENANCE MANUAL

PART NUMBER	AIRLINE PART NO.	FIG.	ITEM	TTL REQ
BACB30MY6K5		4	842	8
BACB30MY6K7		2	607	4
		2	649	4
		3	511	4
		3	554A	4
BACB30ND5A3		2	718A	8
BACB30NM3K10		2	626A	4
		2	668A	4
		3	529	4
		3	572A	4
BACB30NN3K3		2	88	1
BACB30NN3K4		2	56	2
		2	120	25
		3	56	2
		3	120	25
		3	461	4
		4	41	2
		4	105	25
		4	481	4
BACB30NN3K5		2	118	4
		2	492	28
		2	508	27
		2	509B	1
		2	509C	2
		2	519	4
		3	118	4
		3	434	28
		3	434A	29
		3	450	28
		3	450A	30
		4	103	4
		4	439	29
		4	463	30

57-43-51

ILLUSTRATED PARTS LIST
 01.1 Page 1007
 Mar 01/04

PART NUMBER	AIRLINE PART NO.	FIG.	ITEM	TTL REQ
BACB30NN3K6		2	106	2
		2	184	18
		2	242	5
		2	272	2
		2	298	5
		2	348	16
BACB30NN3K6		2	543	2
		2	581	2
		3	106	2
		3	184	18
		3	238	5
		3	260	2
		3	284	5
		3	330	16
		4	91	2
		4	185	18
		4	239	5
		4	261	2
		4	285	5
		4	331	16
BACB30NN3K8		4	5L	2
BACB30NN3K9		2	627	2
		2	669	2
		3	530A	2
		3	573	2
		4	5T	2

57-43-51

ILLUSTRATED PARTS LIST
 01.1 Page 1008
 Mar 01/04

015T0165
 015T1507
 114T4103
 DASH NUMBERS LIMITED

 **BOEING**
 COMPONENT
 MAINTENANCE MANUAL

PART NUMBER	AIRLINE PART NO.	FIG.	ITEM	TTL REQ
BACB30NT3K2		3	166	3
		3	362	3
		4	167	3
		4	363	3
		4	363	3
BACB30NT3K3		2	52	2
		2	164	1
		2	214	2
		2	274	2
		2	320	2
		2	378	1
		3	52	2
		3	168	17
		3	214	2
		3	262	2
		3	306	2
		3	364	17
		4	37	2
		4	169	17
		4	215	2
		4	263	2
		4	307	2
	4	365	17	
BACB30NT3K4		2	54	8
		2	277A	2
		2	850	14
BACB30NT3K4		2	894	14
		3	54	8
		3	714	14
		3	758	14
		4	39	8
		4	731	14
		4	775	14

57-43-51

ILLUSTRATED PARTS LIST
 01.1 Page 1009
 Mar 01/04

PART NUMBER	AIRLINE PART NO.	FIG.	ITEM	TTL REQ
BACB30NT3K5		2	166	20
		2	216	3
		2	322	3
		2	380	20
		3	170	1
		3	216	8
		3	217	6
		3	264	6
		3	308	8
		3	309	6
		3	366	1
		4	171	1
		4	217	8
		4	265	6
		4	309	8
		4	367	1
BACB30NT3K6		2	218	1
		2	262	12
		2	324	1
		3	215	2
		3	307	2
BACB30NT3K7		2	10	59
		2	186	59
		2	244	20
		2	264	6
		2	300	20
		2	350	59
		2	545	16
		2	583	18
		2	832	48
		3	10	59
		3	186	77
		3	240	20
		3	286	20
		3	332	77
		3	696	48
BACB30NT3K7		4	5	55
		4	6	4
		4	187	77
		4	241	20
		4	287	20
		4	315L	4
		4	333	77
		4	713	48

57-43-51

 ILLUSTRATED PARTS LIST
 01.1 Page 1010
 Mar 01/04

015T0165
 015T1507
 114T4103
 DASH NUMBERS LIMITED

 **BOEING**
 COMPONENT
 MAINTENANCE MANUAL

PART NUMBER	AIRLINE PART NO.	FIG.	ITEM	TTL REQ
BACB30NU3K4		3	88	2
		3	162	10
		3	358	10
		4	73	2
		4	163	10
		4	359	10
BACB30NU3K5		2	88A	1
		2	89	1
		2	162	11
		2	212	8
		2	270	12
		2	318	8
		2	376	11
		3	164	1
		3	212	8
		3	258	12
		3	304	8
		3	360	1
		4	165	1
		4	213	8
		4	259	12
		4	305	8
	4	361	1	
BACB30NW5K		2	410	10
BACB30NW6K		2	400	30
		2	946	10
	3	382	34	
	3	810	10	
	4	383	34	
	4	828	10	
BACB30NW6K4		2	401	4
BACB30NW6K9X		2	622A	2
		2	664A	2
		3	525	2
		3	568A	2

57-43-51

ILLUSTRATED PARTS LIST
 01.1 Page 1011
 Mar 01/04

PART NUMBER	AIRLINE PART NO.	FIG.	ITEM	TTL REQ
BACB30VF3K4		4	73A	2
		4	163A	10
		4	359A	10
BACB30VF3K5		4	165A	1
		4	213A	8
BACB30VF3K5		4	259A	12
		4	305A	8
		4	361A	1
		4	853H	5
		4	865H	4
BACB30VT6K5		4	842A	8
		4	10	4
BACB30YP6K2		4	618A	2
		2	660A	2
BACC10DK4		3	521	2
		3	564A	2
		4	855H	5
BACC30AG12		4	867H	4
		4	738A	4
BACC30BL6		2	412	10
		2	559	10
BACC30M14		2	602A	10
		2	404	34
BACC30M5		2	623	2
		2	665	2
		2	948	10
		3	386	34
		3	526A	2
		3	569	2
		3	812	10
		4	387	34
		4	830	10
		4	855	1
BACC30M6		4	867	2

57-43-51

 ILLUSTRATED PARTS LIST
 01.1 Page 1012
 Mar 01/04

015T0165
 015T1507
 114T4103
 DASH NUMBERS LIMITED

 **BOEING**
 COMPONENT
 MAINTENANCE MANUAL

PART NUMBER	AIRLINE PART NO.	FIG.	ITEM	TTL REQ
BACC30R6		3	807	12
BACF3F008E080NN		2	42	2
BACF3F008E149NN		2	40	2
BACF3F008E200NN		2	44	1
BACF3F009E080NN		3	42	2
		4	27	2
BACF3F009E179NN		2	40B	2
		3	40A	2
		4	25	2
BACF3F009E200NN		3	44	1
		4	29	1
BACK15BA3AD		2	308	50
BACN10JC08		2	722A	8
		3	630A	8
		4	651A	8
BACN10JC08CD		2	722	8
		3	630	8
		4	651	8

57-43-51

ILLUSTRATED PARTS LIST
 01.1 Page 1013
 Mar 01/04

PART NUMBER	AIRLINE PART NO.	FIG.	ITEM	TTL REQ
BACN10JC3		2	14	2
		2	60	12
		2	110	2
		2	124	24
		2	222	2
		2	328	2
		2	608A	4
		2	612A	2
		2	625	1
		2	650A	4
		2	654A	2
		2	667	1
		2	858	12
		2	902	12
		3	14	2
		3	60	12
		3	110	2
		3	220	6
		3	312	6
		3	512A	4
		3	516A	2
		3	528A	1
		3	555A	4
		3	559	2
		3	571	1
		3	722	10
		3	766	12
		4	9	2
		4	45	12
		4	95	2
		4	221	6
		4	313	6
		4	739	10
	4	844	12	
	4	783	12	
BACN10JC3AL BACN10JC3CD		4	9L	2
		4	45A	12
		4	95A	2
		4	221A	6
		4	313A	6
		4	739A	10

57-43-51

ILLUSTRATED PARTS LIST
 01.1 Page 1014
 Mar 01/04

015T0165
 015T1507
 114T4103
 DASH NUMBERS LIMITED

 **BOEING**
 COMPONENT
 MAINTENANCE MANUAL

PART NUMBER	AIRLINE PART NO.	FIG.	ITEM	TTL REQ	
BACN10JN3		2	49	3	
		2	128	5	
		2	290	2	
		2	392A	2	
		2	822	1	
		2	842	9	
		3	128	5	
		3	129D	5	
		3	129H	4	
		3	129L	3	
		3	145D	5	
		3	145H	4	
		3	145L	3	
		3	464	4	
		3	654	4	
		3	670	4	
		3	686	5	
		3	706	9	
		4	109	5	
		4	119	12	
		4	145	12	
		4	485	4	
		4	671	4	
		4	687	4	
		4	703	5	
		4	723	9	
	BACN10JP3A		2	555	8
			2	598A	8
	BACN10JQ32		2	48	51
			2	49B	4
			2	178	1
			2	236	2
			2	288	2
			2	342	2
			2	394	1
			2	514	6
			2	515A	2
			3	48	55
			3	98	2
			3	180	24
			3	232	2
			3	278	2
			3	324	2
			3	378	23
		3	456	7	

57-43-51

ILLUSTRATED PARTS LIST
 01.1 Page 1015
 Mar 01/04

PART NUMBER	AIRLINE PART NO.	FIG.	ITEM	TTL REQ	
BACN10JQ32		3	664	1	
		3	680	1	
		4	33	55	
		4	83	2	
		4	181	24	
		4	233	2	
		4	279	2	
		4	325	2	
		4	379	23	
		4	469	7	
		4	681	1	
		4	697	1	
	BACN10JQ33		2	97A	1
			2	98	1
		2	176	8	
		2	177	2	
		2	200	3	
		2	238	4	
		2	254	1	
		2	286	1	
		2	286B	2	
		2	287	17	
		2	310	2	
		2	344	4	
		2	366	3	
		2	392	3	
		2	393	7	
		2	498	7	
		2	522	4	
		2	553	8	
		2	597	8	
		2	640	14	
		2	682	14	
		2	804	3	
		2	818	3	
		2	844	39	
	3	200	3		
	3	234	4		
	3	250	1		
	3	280	10		
	3	296	2		
	3	326	4		
	3	348	3		
	3	440A	7		
	3	496	20		

57-43-51

ILLUSTRATED PARTS LIST
 01.1 Page 1016
 Mar 01/04

015T0165
 015T1507
 114T4103
 DASH NUMBERS LIMITED

 **BOEING**
 COMPONENT
 MAINTENANCE MANUAL

PART NUMBER	AIRLINE PART NO.	FIG.	ITEM	TTL REQ	
BACN10JQ33		3	544	14	
		3	545	16	
		3	586	16	
		3	587	18	
		3	666	1	
		3	682	1	
		3	708	39	
		4	203	3	
		4	235	4	
		4	251	1	
		4	281	10	
		4	297	2	
		4	327	4	
		4	349	3	
		4	447	7	
		4	517	20	
		4	563	16	
		4	603	18	
		4	683	1	
		4	699	1	
		4	725	39	
	BACN10JQ34		2	180	13
			2	204	13
			2	256	4
			2	312	3
			2	368	14
		2	396	12	
		2	496	15	
		2	512	15	
		2	554	2	
		2	596	4	
		2	806	6	
		2	820	6	
		3	204	13	
		3	252	4	
		3	298	3	
		3	350	14	
		3	438	15	
		3	438A	16	
		3	454	15	
		3	454A	17	
	3	498	12		
	3	668	2		
	3	684	2		
	4	205	13		

57-43-51

ILLUSTRATED PARTS LIST
 01.1 Page 1017
 Mar 01/04

PART NUMBER	AIRLINE PART NO.	FIG.	ITEM	TTL REQ
BACN10JQ34		4	253	4
		4	299	3
		4	351	14
		4	445	16
		4	467	17
		4	519	12
		4	685	2
		4	701	2
BACN10JQ35		2	206	27
		2	258	14
		2	314	14
		2	370	26
		3	206	27
		3	254	14
		3	300	14
		3	352	26
		4	207	27
		4	255	14
		4	301	14
		4	353	26
BACN10JQ36		2	208	10
		2	260	6
		2	316	6
		2	372	10
		3	208	10
		3	256	6
		3	302	6
		3	354	10
		4	209	10
		4	257	6
		4	303	6
		4	355	10
BACN10KH3		2	49A	1
		2	50	2
		2	97	1
		2	177A	2
		2	182	2
		2	210	4
		2	240	6
		2	286A	1
		2	292	12
		2	346	6
		2	374	4
		2	392B	1
	2	398A	2	

57-43-51

 ILLUSTRATED PARTS LIST
 01.1 Page 1018
 Mar 01/04

015T0165
 015T1507
 114T4103
 DASH NUMBERS LIMITED

 **BOEING**
 COMPONENT
 MAINTENANCE MANUAL

PART NUMBER	AIRLINE PART NO.	FIG.	ITEM	TTL REQ
BACN10KH3		2	500	2
		2	515	1
		2	516	2
		2	642	4
		2	684	4
		2	808	3
		2	824	3
		3	50	2
		3	182	1
		3	210	4
		3	236	6
		3	282	4
		3	328	4
		3	356	4
		3	380A	1
		3	442	2
		3	458	2
		3	500	4
		3	546	6
		3	547	2
		3	588	4
		3	589	2
		3	656	2
		3	672	5
		3	688	5
		4	35	2
		4	183	1
		4	211	4
		4	237	6
		4	283	4
		4	329	4
		4	357	4
		4	381	1
		4	449	2
		4	471	2
		4	521	4
		4	565	2
		4	605	2
		4	673	2
		4	689	5
	4	705	5	

57-43-51

ILLUSTRATED PARTS LIST
 01.1 Page 1019
 Mar 01/04

PART NUMBER	AIRLINE PART NO.	FIG.	ITEM	TTL REQ
BACN10YF32		4	33A	55
		4	83A	2
		4	181A	24
		4	233A	2
BACN10YF32		4	279A	2
		4	325A	2
		4	379A	23
		4	469A	7
BACN10YF33		4	203A	3
		4	235A	4
		4	251A	1
		4	281A	10
		4	297A	2
		4	327A	4
		4	349A	3
		4	447A	7
		4	517A	20
		4	725A	39
BACN10YF34		4	205A	13
		4	253A	4
		4	299A	3
		4	351A	14
		4	445A	16
		4	467A	17
		4	519A	12
BACN10YF35		4	207A	27
		4	255A	14
		4	301A	14
		4	353A	26
BACN10YF36		4	209A	10
		4	257A	6
		4	303A	6
		4	316L	4
		4	355A	10

57-43-51

ILLUSTRATED PARTS LIST
 01.1 Page 1020
 Mar 01/04

015T0165
 015T1507
 114T4103
 DASH NUMBERS LIMITED

 **BOEING**
 COMPONENT
 MAINTENANCE MANUAL

PART NUMBER	AIRLINE PART NO.	FIG.	ITEM	TTL REQ
BACR15BA3AD		2	46	114
		2	46A	8
		2	96	2
		2	96A	4
		2	126	10
		2	174	52
		2	174A	4
		2	198	114
		2	234	24
		2	284	64
		2	284A	2
		2	284B	4
		2	340	24
		2	364	114
	2	390	50	

57-43-51

ILLUSTRATED PARTS LIST
 01.1 Page 1021
 Mar 01/04

PART NUMBER	AIRLINE PART NO.	FIG.	ITEM	TTL REQ
BACR15BA3AD		2	390A	6
		2	494	48
		2	503	2
		2	510	50
		2	510A	4
		2	510G	2
		2	518M	2
		2	520	8
		2	552	36
		2	594	40
		2	638	36
		2	680	36
		2	802	24
		2	816	26
		2	840	96
		3	46	114
		3	96	4
		3	126	10
		3	129	72
		3	145	72
		3	178	52
		3	198	114
		3	230	24
		3	248	50
		3	276	28
		3	294	50
		3	322	24
		3	346	114
		3	376	48
		3	436	44
		3	452	48
		3	452A	52
		3	462	8
		3	494	72
		3	542	40
		3	543	36
		3	584	40
		3	652	12
		3	662	26
		3	678	28
		3	704	96
		4	31	114
		4	81	4
		4	107	10
	4	117	72	

57-43-51

ILLUSTRATED PARTS LIST
 01.1 Page 1022
 Mar 01/04

015T0165
 015T1507
 114T4103
 DASH NUMBERS LIMITED

 **BOEING**
 COMPONENT
 MAINTENANCE MANUAL

PART NUMBER	AIRLINE PART NO.	FIG.	ITEM	TTL REQ	
BACR15BA3AD		4	143	72	
		4	179	52	
		4	201	114	
		4	231	24	
		4	249	50	
		4	277	28	
		4	295	50	
		4	316	8	
		4	323	24	
		4	347	114	
		4	377	48	
		4	441	44	
		4	465	52	
		4	483	8	
		4	515	72	
		4	561	36	
		4	601	40	
		4	669	12	
		4	679	26	
		4	695	28	
		4	721	96	
	BACR15BA5AD		2	194	2
			2	356	2
			3	194	2
		3	338	2	
		3	445G	2	
		3	460T	2	
		4	195	2	
		4	339	2	
		4	457	2	
		4	479	2	
BACR15BB3A			3	437	4
			3	437A	6
		4	443	6	
BACR15BB3AD		2	934	4	
		3	798	4	
BACR15BB4A		4	815	4	
		2	940	3	
BACR15BB4AD		3	804	3	
		4	822	3	
		2	938	1	
		3	802	1	
	4	820	1		

57-43-51

ILLUSTRATED PARTS LIST
 01.1 Page 1023
 Mar 01/04

PART NUMBER	AIRLINE PART NO.	FIG.	ITEM	TTL REQ
BACR15CE5AD		2	613	4
		2	655	4
BACR15CE5AD		3	517	4
		3	560A	4
BACR15CE5KE		4	846	8
		2	90	16
		2	406	120
		2	414	10
		2	944	16
		3	90	16
		3	388	130
		3	808	16
		4	75	16
		4	389	130
BACR15CE6KE		4	826	16
		4	860	6
		2	942	122
		3	806	122
		3	806G	110
		4	824	122
BACR15FT5AD		2	168	7
		2	276	31
		2	277	2
		2	332	38
		2	382	8
		3	172	7
		3	266	43
		3	368	8
		4	173	7
		4	267	43
		4	369	8

57-43-51

ILLUSTRATED PARTS LIST
 01.1 Page 1024
 Mar 01/04

015T0165
 015T1507
 114T4103
 DASH NUMBERS LIMITED

 **BOEING**
 COMPONENT
 MAINTENANCE MANUAL

PART NUMBER	AIRLINE PART NO.	FIG.	ITEM	TTL REQ
BACR15FT6AD		2	224	35
		3	222	31
		3	314	32
		4	223	31
		4	315	28
		4	315F	4
BACR15FT6AD8		3	223H	6
		3	315H	6
BACR15FT7AD7		3	221	21
BACR15FT7AD8		3	313	22
		3	223	2
BACR15RA3AD		3	315	2
		2	252	50
BACS12ER3C15		2	611	2
		2	653	2
BACS12ER3C15		3	515A	2
		3	558A	2
BACS12ER3K16		4	840	4
BACS40R009C009F		4	397A	2
BACS40R009C017F		4	399A	1
BACS40R009C019F		4	401A	6
BACS40R08C17F		2	426	1
BACS40R08C34F		2	424	2
BACS40R08D31F		2	551	2
BACS40R08D34F		2	634A	1
		2	676A	1
BACS40R09C09F		3	536E	1
		3	578J	1
		2	418	2
BACS40R09C17F		3	394G	2
		4	397	2
BACS40R09C17F		2	422	1
		3	395	1
		4	399	1

57-43-51

ILLUSTRATED PARTS LIST
 01.1 Page 1025
 Mar 01/04

PART NUMBER	AIRLINE PART NO.	FIG.	ITEM	TTL REQ
BACS4OR09C19F		2	420	6
		3	395A	6
		4	401	6
BACS4OR09D10F		2	589	2
		2	547	1
BACS4OR10E20F		2	585	1
		2	619	1
BACS4OR12D24F		2	661	1
		3	522A	1
		3	565	1
BACS4OR18D20F		2	549	1
		2	587	1
BACS4OR19E20F		2	856	7
		2	900	7
BACW10P43AL		3	720	7
		3	764	7
		4	737	7
BRFM20A3		4	781	7
		2	49	3
		2	128	5
BRFM20A3		2	290	2
		2	392A	2
		2	822	1
BRFM20A3		2	842	9
		3	128	5
		3	129D	5
BRFM20A3		3	129H	4
		3	129L	3
		3	145D	5
BRFM20A3		3	145H	4
		3	145L	3
		3	464	4
BRFM20A3		3	654	4
		3	670	4
		3	686	5
BRFM20A3		3	706	9
		4	109	5
		4	119	12
BRFM20A3		4	145	12
		4	485	4
		4	671	4
BRFM20A3		4	687	4
		4	703	5
		4	723	9

57-43-51

 ILLUSTRATED PARTS LIST
 01.1 Page 1026
 Mar 01/04

015T0165
 015T1507
 114T4103
 DASH NUMBERS LIMITED

 **BOEING**
 COMPONENT
 MAINTENANCE MANUAL

PART NUMBER	AIRLINE PART NO.	FIG.	ITEM	TTL REQ
BRFM22A3-3		2	97A	1
		2	98	1
		2	176	8
		2	177	2
		2	200	3
		2	238	4
		2	254	1
		2	286	1
		2	286B	2
		2	287	17
		2	310	2
		2	344	4
		2	366	3
		2	392	3
		2	393	7
		2	498	7
		2	522	4
		2	553	8
		2	597	8
		2	640	14
		2	682	14
		2	804	3
		2	818	3
	2	844	39	
	3	200	3	
	3	234	4	
	3	250	1	

57-43-51

ILLUSTRATED PARTS LIST
 01.1 Page 1027
 Mar 01/04

PART NUMBER	AIRLINE PART NO.	FIG.	ITEM	TTL REQ
BRFM22A3-3		3	280	10
		3	296	2
		3	326	4
		3	348	3
		3	440A	7
		3	496	20
		3	544	14
		3	545	16
		3	586	16
		3	587	18
		3	666	1
		3	682	1
		3	708	39
		4	203	3
		4	235	4
		4	251	1
		4	281	10
		4	297	2
		4	327	4
		4	349	3
		4	447	7
		4	517	20
		4	563	16
		4	603	18
	4	683	1	
	4	699	1	
	4	725	39	
BRFM22A4-3		2	180	13
		2	204	13
		2	256	4
		2	312	3
		2	368	14
		2	396	12
		2	496	15
		2	512	15
		2	554	2
		2	596	4
		2	806	6
		2	820	6
		3	204	13
		3	252	4
		3	298	3
	3	350	14	
	3	438	15	
	3	438A	16	

57-43-51

ILLUSTRATED PARTS LIST
 01.1 Page 1028
 Mar 01/04

015T0165
 015T1507
 114T4103
 DASH NUMBERS LIMITED

 **BOEING**
 COMPONENT
 MAINTENANCE MANUAL

PART NUMBER	AIRLINE PART NO.	FIG.	ITEM	TTL REQ	
BRFM22A4-3		3	454	15	
		3	454A	17	
		3	498	12	
		3	668	2	
		3	684	2	
		4	205	13	
		4	253	4	
		4	299	3	
		4	351	14	
		4	445	16	
		4	467	17	
		4	519	12	
		4	685	2	
		4	701	2	
	BRFM22A5-3		2	206	27
			2	258	14
			2	314	14
		2	370	26	
		3	206	27	
		3	254	14	
		3	300	14	
		3	352	26	
		4	207	27	
		4	255	14	
		4	301	14	
BRH10A08		4	353	26	
		2	722A	8	
		3	630A	8	
		4	651A	8	
BRH10A3		2	14	2	
		2	60	12	
		2	110	2	
		2	124	24	
		2	222	2	
		2	328	2	
		2	608A	4	
		2	612A	2	
		2	625	1	
		2	650A	4	
		2	654A	2	
		2	667	1	
		2	858	12	
		2	902	12	
	3	14	2		
	3	60	12		

57-43-51

ILLUSTRATED PARTS LIST
 01.1 Page 1029
 Mar 01/04

PART NUMBER	AIRLINE PART NO.	FIG.	ITEM	TTL REQ
BRH10A3		3	110	2
		3	220	6
		3	312	6
		3	512A	4
		3	516A	2
		3	528A	1
		3	555A	4
		3	559	2
		3	571	1
		3	722	10
		3	766	12
		4	9	2
		4	45	12
		4	95	2
		4	221	6
		4	313	6
		4	739	10
BRH10C3D		4	844	12
		4	9L	2
		4	45A	12
		4	95A	2
		4	221A	6
		4	313A	6
		4	739A	10
BRM200A3		2	555	8
		2	598A	8
B30MY12K10		2	617	1
		2	659	1
B30MY12K11		3	520A	1
		3	563	1
		2	615	1
		2	657	1
		3	519	1
B30MY14K22		3	562A	1
		2	737	4
B30MY5K5		2	557	10
		2	600A	10
B30MY6K5		4	842	8
B30MY6K7		2	607	4
		2	649	4
		3	511	4
		3	554A	4
B30NW6K4		2	401	4
B30NW6K9X		2	622A	2
		2	664A	2
		3	525	2
B30NW6K9X		3	568A	2

57-43-51

 ILLUSTRATED PARTS LIST
 01.1 Page 1030
 Mar 01/04

015T0165
 015T1507
 114T4103
 DASH NUMBERS LIMITED

 **BOEING**
 COMPONENT
 MAINTENANCE MANUAL

PART NUMBER	AIRLINE PART NO.	FIG.	ITEM	TTL REQ
F29779-3		2	398A	2
		3	380A	1
		3	547	2
		3	589	2
		4	35	2
		4	183	1
		4	211	4
		4	237	6
		4	283	4
		4	329	4
		4	357	4
		4	381	1
		4	449	2
		4	471	2
		4	521	4
		4	565	2
		4	605	2
		4	673	2
		4	689	5
		4	705	5
HL10VAZ12-10		2	617	1
		2	659	1
HL10VAZ12-11		3	520A	1
		3	563	1
		2	615	1
HL10VAZ14-22		2	737	4
	HL10VAZ5-5	2	557	10
		2	600A	10
HL10VAZ6-5	4	842	8	
	HL10VAZ6-7	2	607	4
		2	649	4
	3	511	4	
	3	554A	4	
HL11VAZ6-4	2	401	4	
	HL11VAZ6-9X	2	622A	2
		2	664A	2
	3	525	2	
	3	568A	2	
HL11V6-4	2	401	4	
	HL111VAZ6-9	2	622A	2
		2	664A	2
	3	525	2	
	3	568A	2	

57-43-51

ILLUSTRATED PARTS LIST
 01.1 Page 1031
 Mar 01/04

PART NUMBER	AIRLINE PART NO.	FIG.	ITEM	TTL REQ
HL19-5A3		2	718B	8
		3	626A	8
		4	647A	8
HL19-5A3N		3	626	8
		4	647	8
HL41PY5-3		2	718B	8
		3	626A	8
		4	647A	8
HL441N5-3		2	718B	8
		3	626	8
		4	647	8
HL441UC5-3		2	718B	8
		3	626A	8
		4	647A	8
HL445PB5-3		2	718A	8
		2	412	10
HL70-5		2	559	10
		2	602A	10
		2	738A	4
		2	412	10
		2	559	10
		2	602A	10
HL79-6		2	404	34
		2	623	2
		2	665	2
		2	948	10
		3	386	34
		3	526A	2
		3	569	2
		3	812	10
		4	387	34
		4	830	10
	4	855	1	
	4	867	2	

57-43-51

 ILLUSTRATED PARTS LIST
 01.1 Page 1032
 Mar 01/04

015T0165
 015T1507
 114T4103
 DASH NUMBERS LIMITED

 **BOEING**
 COMPONENT
 MAINTENANCE MANUAL

PART NUMBER	AIRLINE PART NO.	FIG.	ITEM	TTL REQ
HL82-12APBW		2	618A	2
		2	660A	2
		3	521	2
		3	564A	2
		3	807	12
HL84-6		3	807	12
HST10AG6-5		4	853H	5
		4	865H	4
HST79-6		4	855H	5
		4	867H	4
HST79CY6		4	855H	5
		4	867H	4

57-43-51

ILLUSTRATED PARTS LIST
 01.1 Page 1033
 Mar 01/04

PART NUMBER	AIRLINE PART NO.	FIG.	ITEM	TTL REQ
H10-08BAC		2	722A	8
		3	630A	8
		4	651A	8
H10-3BAC		2	14	2
		2	60	12
		2	110	2
		2	124	24
		2	222	2
		2	328	2
		2	608A	4
		2	612A	2
		2	625	1
		2	650A	4
		2	654A	2
		2	667	1
		2	858	12
		2	902	12
		3	14	2
		3	60	12
		3	110	2
		3	220	6
		3	312	6
		3	512A	4
		3	516A	2
		3	528A	1
		3	555A	4
		3	559	2
		3	571	1
		3	722	10
		3	766	12
		4	9	2
		4	45	12
		4	95	2
		4	221	6
		4	313	6
		4	739	10
4	844	12		
H51650-3BAC		4	9L	2
		4	45A	12
		4	95A	2
		4	221A	6
		4	313A	6
		4	739A	10

57-43-51

 ILLUSTRATED PARTS LIST
 01.1 Page 1034
 Mar 01/04

015T0165
 015T1507
 114T4103
 DASH NUMBERS LIMITED

 **BOEING**
 COMPONENT
 MAINTENANCE MANUAL

PART NUMBER	AIRLINE PART NO.	FIG.	ITEM	TTL REQ
L803-6-4		2	401	4
L803-6K9X		2	622A	2
		2	664A	2
		3	525	2
		3	568A	2
L839-5A3		2	718B	8
		3	626A	8
		4	647A	8
L839-5A3N		3	626	8
		4	647	8
MF1000-3BAC		2	49	3
		2	128	5
		2	290	2
		2	392A	2
		2	822	1
		2	842	9
		3	128	5
		3	129D	5
		3	129H	4
		3	129L	3
		3	145D	5
		3	145H	4
		3	145L	3
		3	464	4
		3	654	4
		3	670	4
		3	686	5
		3	706	9
		4	109	5
		4	119	12
		4	145	12
		4	485	4
		4	671	4
		4	687	4
		4	703	5
		4	723	9

57-43-51

ILLUSTRATED PARTS LIST
 01.1 Page 1035
 Mar 01/04

PART NUMBER	AIRLINE PART NO.	FIG.	ITEM	TTL REQ
MF19058-3-2BAC		4	33A	55
		4	83A	2
		4	181A	24
		4	233A	2
		4	279A	2
		4	325A	2
		4	379A	23
		4	469A	7
MF19058-3-3BAC		2	97A	1
		2	98	1
		2	176	8
		2	177	2
		2	200	3
		2	238	4
		2	254	1
		2	286	1
		2	286B	2
		2	287	17
		2	310	2
		2	344	4
		2	366	3
		2	392	3
		2	393	7
		2	498	7
		2	522	4
		2	553	8
		2	597	8
		2	640	14
	2	682	14	
	2	804	3	
	2	818	3	
	2	844	39	

57-43-51

ILLUSTRATED PARTS LIST
 01.1 Page 1036
 Mar 01/04

015T0165
 015T1507
 114T4103
 DASH NUMBERS LIMITED

 **BOEING**
 COMPONENT
 MAINTENANCE MANUAL

PART NUMBER	AIRLINE PART NO.	FIG.	ITEM	TTL REQ	
MF19058-3-3BAC		3	200	3	
		3	234	4	
		3	250	1	
		3	280	10	
		3	296	2	
		3	326	4	
		3	348	3	
		3	440A	7	
		3	496	20	
		3	544	14	
		3	545	16	
		3	586	16	
		3	587	18	
		3	666	1	
		3	682	1	
		3	708	39	
		4	203	3	
		4	235	4	
		4	251	1	
		4	281	10	
		4	297	2	
		4	327	4	
		4	349	3	
		4	447	7	
		4	517	20	
		4	563	16	
		4	603	18	
		4	683	1	
		4	699	1	
		4	725	39	
	MF19058-3-4BAC		2	180	13
			2	204	13
			2	256	4
		2	312	3	
		2	368	14	

57-43-51

ILLUSTRATED PARTS LIST
 01.1 Page 1037
 Mar 01/04

PART NUMBER	AIRLINE PART NO.	FIG.	ITEM	TTL REQ
MF19058-3-4BAC		2	396	12
		2	496	15
		2	512	15
		2	554	2
		2	596	4
		2	806	6
		2	820	6
		3	204	13
		3	252	4
		3	298	3
		3	350	14
		3	438	15
		3	438A	16
		3	454	15
		3	454A	17
		3	498	12
		3	668	2
		3	684	2
		4	205	13
		4	253	4
		4	299	3
		4	351	14
		4	445	16
		4	467	17
		4	519	12
		4	685	2
		4	701	2
MF19058-3-5BAC		2	206	27
		2	258	14
		2	314	14
		2	370	26
		3	206	27
		3	254	14
		3	300	14
		3	352	26
		4	207	27
		4	255	14
MF19058-3-6BAC		4	301	14
		4	353	26
		4	209A	10
		4	257A	6
		4	303A	6
		4	316L	4
	4	355A	10	

57-43-51

 ILLUSTRATED PARTS LIST
 01.1 Page 1038
 Mar 01/04

015T0165
 015T1507
 114T4103
 DASH NUMBERS LIMITED

 **BOEING**
 COMPONENT
 MAINTENANCE MANUAL

PART NUMBER	AIRLINE PART NO.	FIG.	ITEM	TTL REQ	
MF53049-3		2	49	3	
		2	128	5	
		2	290	2	
		2	392A	2	
		2	822	1	
		2	842	9	
		3	128	5	
		3	129D	5	
		3	129H	4	
		3	129L	3	
		3	145D	5	
		3	145H	4	
		3	145L	3	
		3	464	4	
		3	654	4	
		3	670	4	
		3	686	5	
		3	706	9	
		4	109	5	
		4	119	12	
		4	145	12	
		4	485	4	
		4	671	4	
		4	687	4	
		4	703	5	
		4	723	9	
	MK1000-3BAC		2	555	8
			2	598A	8
	MS27253-1		2	936	1
			3	800	1
			4	817	1
	NAS1149DN816J		4	649A	8
	NAS1149D0316J		4	7A	55
		4	715A	48	
		4	735A	16	
NAS1149D0332J		4	7L	1	
		4	43A	22	
		4	93A	2	

57-43-51

ILLUSTRATED PARTS LIST
 01.1 Page 1039
 Mar 01/04

PART NUMBER	AIRLINE PART NO.	FIG.	ITEM	TTL REQ
NAS1149D0363J		4	219A	6
		4	311A	6
		4	385A	16
		4	733A	2
NAS1195DD3KH		2	502	2
		2	515G	2
		2	518	2
		2	644	8
		2	686	6
		2	810	7
		2	826	7
		3	444	2
		3	460	2
		3	502	8
		3	548	14
		3	590	6
		3	591	2
		3	690	4
		4	451	2
		4	473	2
		4	523	8
		4	567	2
		4	607	2
		4	707	4
NAS1195DD3KM		2	294	6
NAS1195DD3XH		2	556A	8
		2	599	8
NAS1398D6		2	933	24
NAS1399D5A2		4	875	8
NS103197-02		2	555	8
		2	598A	8
NS103218-02		2	49	3
		2	128	5
		2	290	2
		2	392A	2
		2	822	1
		2	842	9
		3	128	5
		3	129D	5
		3	129H	4
		3	129L	3
	3	145D	5	

57-43-51

 ILLUSTRATED PARTS LIST
 01.1 Page 1040
 Mar 01/04

015T0165
 015T1507
 114T4103
 DASH NUMBERS LIMITED

 **BOEING**
 COMPONENT
 MAINTENANCE MANUAL

PART NUMBER	AIRLINE PART NO.	FIG.	ITEM	TTL REQ	
NS103218-02		3	145H	4	
		3	145L	3	
		3	464	4	
		3	654	4	
		3	670	4	
		3	686	5	
		3	706	9	
		4	109	5	
		4	119	12	
		4	145	12	
		4	485	4	
		4	671	4	
		4	687	4	
		4	703	5	
		4	723	9	
	NS103225-02		2	49A	1
			2	50	2
		2	97	1	
		2	177A	2	
		2	182	2	
		2	210	4	
		2	240	6	
		2	286A	1	
		2	292	12	
		2	346	6	
		2	374	4	
		2	392B	1	
		2	398A	2	
		2	500	2	
		2	515	1	
		2	516	2	
		2	642	4	
		2	684	4	
		2	808	3	
		2	824	3	
		3	50	2	
		3	182	1	
		3	210	4	
	3	236	6		
	3	282	4		
	3	328	4		
	3	356	4		
	3	380A	1		
	3	442	2		
	3	458	2		

57-43-51

ILLUSTRATED PARTS LIST
 01.1 Page 1041
 Mar 01/04

PART NUMBER	AIRLINE PART NO.	FIG.	ITEM	TTL REQ
NS103225-02		3	500	4
		3	546	6
		3	547	2
		3	588	4
		3	589	2
		3	656	2
		3	672	5
		3	688	5
		4	35	2
		4	183	1
		4	211	4
		4	237	6
		4	283	4
		4	329	4
		4	357	4
		4	381	1
		4	449	2
		4	471	2
		4	521	4
		4	565	2
	4	605	2	
	4	673	2	
	4	689	5	
	4	705	5	
NS202101-02		2	14	2
		2	60	12
		2	110	2
		2	124	24
		2	222	2
		2	328	2
		2	608A	4
		2	612A	2
		2	625	1
		2	650A	4
		2	654A	2
		2	667	1
		2	858	12
		2	902	12
		3	14	2
		3	60	12
		3	110	2
	3	220	6	
	3	312	6	
	3	512A	4	
	3	516A	2	

57-43-51

ILLUSTRATED PARTS LIST
 01.1 Page 1042
 Mar 01/04

015T0165
 015T1507
 114T4103
 DASH NUMBERS LIMITED

 **BOEING**
 COMPONENT
 MAINTENANCE MANUAL

PART NUMBER	AIRLINE PART NO.	FIG.	ITEM	TTL REQ	
NS202101-02		3	528A	1	
		3	555A	4	
		3	559	2	
		3	571	1	
		3	722	10	
		3	766	12	
		4	9	2	
		4	45	12	
		4	95	2	
		4	221	6	
		4	313	6	
		4	739	10	
		4	844	12	
	NS202101-82		2	722A	8
			3	630A	8
	NS202486-02		4	651A	8
		4	9L	2	
RMA9201M3		4	45A	12	
		4	95A	2	
		4	221A	6	
		4	313A	6	
		4	739A	10	
		2	555	8	
		2	598A	8	
	RMF9201M3		2	49	3
			2	128	5
			2	290	2
		2	392A	2	
		2	822	1	
		2	842	9	
		3	128	5	
		3	129D	5	
		3	129H	4	
		3	129L	3	
		3	145D	5	
		3	145H	4	
		3	145L	3	
		3	464	4	
		3	654	4	
		3	670	4	
	3	686	5		
	3	706	9		
	4	109	5		
	4	119	12		
	4	145	12		

57-43-51

ILLUSTRATED PARTS LIST
 01.1 Page 1043
 Mar 01/04

PART NUMBER	AIRLINE PART NO.	FIG.	ITEM	TTL REQ
RMF9201M3		4	485	4
		4	671	4
		4	687	4
		4	703	5
		4	723	9

57-43-51

015T0165
 015T1507
 114T4103
 DASH NUMBERS LIMITED

 **BOEING**
 COMPONENT
 MAINTENANCE MANUAL

PART NUMBER	AIRLINE PART NO.	FIG.	ITEM	TTL REQ
RMF9209M3		2	49A	1
		2	50	2
		2	97	1
		2	177A	2
		2	182	2
		2	210	4
		2	240	6
		2	286A	1
		2	292	12
		2	346	6
		2	374	4
		2	392B	1
		2	398A	2
		2	500	2
		2	515	1
		2	516	2
		2	642	4
		2	684	4
		2	808	3
		2	824	3
		3	50	2
		3	182	1
		3	210	4
		3	236	6
		3	282	4
		3	328	4
		3	356	4
		3	380A	1
		3	442	2
		3	458	2
		3	500	4
		3	546	6
		3	547	2
		3	588	4
		3	589	2
		3	656	2
		3	672	5
		3	688	5
		4	35	2
		4	183	1
		4	211	4
		4	237	6
		4	283	4
		4	329	4
	4	357	4	
	4	381	1	

57-43-51

ILLUSTRATED PARTS LIST
 01.1 Page 1045
 Mar 01/04

PART NUMBER	AIRLINE PART NO.	FIG.	ITEM	TTL REQ
		4	449	2
		4	471	2
		4	521	4
		4	565	2
		4	605	2
		4	673	2
		4	689	5
		4	705	5
RMF9209M3		2	14	2
		2	60	12
		2	110	2
		2	124	24
		2	222	2
		2	328	2
		2	608A	4
		2	612A	2
		2	625	1
		2	650A	4
		2	654A	2
		2	667	1
		2	858	12
		2	902	12
		3	14	2
		3	60	12
		3	110	2
		3	220	6
		3	312	6
		3	512A	4
		3	516A	2
		3	528A	1
		3	555A	4
		3	559	2
		3	571	1
		3	722	10
		3	766	12
		4	9	2
		4	45	12
		4	95	2
		4	221	6
		4	313	6
		4	739	10
		4	844	12

57-43-51

ILLUSTRATED PARTS LIST
 01.1 Page 1046
 Mar 01/04

015T0165
 015T1507
 114T4103
 DASH NUMBERS LIMITED

 **BOEING**
 COMPONENT
 MAINTENANCE MANUAL

PART NUMBER	AIRLINE PART NO.	FIG.	ITEM	TTL REQ
RMLH9075-82W		2	722A	8
		3	630A	8
		4	651A	8
T6C1032JCD		4	9L	2
		4	45A	12
		4	95A	2
		4	221A	6
		4	313A	6
		4	739A	10
T6C1032JCD T6S1032J		2	14	2
		2	60	12
		2	110	2
		2	124	24
		2	222	2
		2	328	2
		2	608A	4
		2	612A	2
		2	625	1
		2	650A	4
		2	654A	2
		2	667	1
		2	858	12
		2	902	12
		3	14	2
		3	60	12
		3	110	2
		3	220	6
		3	312	6
		3	512A	4
		3	516A	2
		3	528A	1
		3	555A	4
		3	559	2
		3	571	1
		3	722	10
		3	766	12
		4	9	2
		4	45	12
		4	95	2
		4	221	6
		4	313	6
		4	739	10
	4	844	12	

57-43-51

ILLUSTRATED PARTS LIST
 01.1 Page 1047
 Mar 01/04

PART NUMBER	AIRLINE PART NO.	FIG.	ITEM	TTL REQ
T6S832J		2	722A	8
		3	630A	8
		4	651A	8
T8076S1032		2	555	8
		2	598A	8
VN202A1-02		2	555	8
		2	598A	8
VN252A02		2	49	3
		2	128	5
VN252A02		2	290	2
		2	392A	2
		2	822	1
		2	842	9
		3	128	5
		3	129D	5
		3	129H	4
		3	129L	3
		3	145D	5
		3	145H	4
		3	145L	3
		3	464	4
		3	654	4
		3	670	4
		3	686	5
		3	706	9
4	109	5		
4	119	12		
4	145	12		
4	485	4		
4	671	4		
4	687	4		
4	703	5		
4	723	9		

57-43-51

ILLUSTRATED PARTS LIST
 01.1 Page 1048
 Mar 01/04

015T0165
 015T1507
 114T4103
 DASH NUMBERS LIMITED

 **BOEING**
 COMPONENT
 MAINTENANCE MANUAL

PART NUMBER	AIRLINE PART NO.	FIG.	ITEM	TTL REQ	
VN303A02		2	14	2	
		2	60	12	
		2	110	2	
		2	124	24	
		2	222	2	
		2	328	2	
		2	608A	4	
		2	612A	2	
		2	625	1	
		2	650A	4	
		2	654A	2	
		2	667	1	
		2	858	12	
		2	902	12	
		3	14	2	
		3	60	12	
		3	110	2	
		3	220	6	
		3	312	6	
		3	512A	4	
		3	516A	2	
		3	528A	1	
	VN303A02		3	555A	4
			3	559	2
			3	571	1
			3	722	10
			3	766	12
			4	9	2
			4	45	12
			4	95	2
			4	221	6
			4	313	6
			4	739	10
		4	844	12	

57-43-51

ILLUSTRATED PARTS LIST
 01.1 Page 1049
 Mar 01/04

PART NUMBER	AIRLINE PART NO.	FIG.	ITEM	TTL REQ
VN303A82		2	722A	8
		3	630A	8
		4	651A	8
WC331K6-2		4	842A	8
		2	628A	1
		2	670A	1
012T2400-43		3	531	1
		3	574A	1
		2	750A	2
012T2400-45		2	770A	2
		3	624	4
		4	645	4
015T0165-7		1	1Q	RF
015T0165-8		3	1D	RF
		1	5Q	RF
015T1507-301		3	5D	RF
		1	1V	RF
015T1507-302		2	1A	RF
		1	5V	RF
015T1507-303		2	5A	RF
		1	1W	RF
015T1507-304		2	1B	RF
		1	5W	RF
015T1507-305		2	5B	RF
		1	1X	RF
015T1507-306		2	1C	RF
		1	5X	RF
015T1507-307		2	5C	RF
		1	2A	RF
015T1507-308		3	1E	RF
		1	6A	RF
015T1507-309		3	5E	RF
		1	2B	RF
015T1507-309		3	1F	RF
015T1507-310		1	6B	RF
015T1507-311		3	5F	RF
		1	2C	RF
		3	1G	RF

57-43-51

 ILLUSTRATED PARTS LIST
 01.1 Page 1050
 Mar 01/04

015T0165
 015T1507
 114T4103
 DASH NUMBERS LIMITED

 **BOEING**
 COMPONENT
 MAINTENANCE MANUAL

PART NUMBER	AIRLINE PART NO.	FIG.	ITEM	TTL REQ
015T1507-312		1	6C	RF
		3	5G	RF
015T1507-313		1	2G	RF
		3	1L	RF
015T1507-314		1	6G	RF
		3	5L	RF
015T1507-315		1	2J	RF
		3	1N	RF
015T1507-316		1	6J	RF
		3	5N	RF
015T1507-317		1	2K	RF
		3	1P	RF
015T1507-318		1	6K	RF
		3	5P	RF
015T1507-319		1	2Q	RF
		4	1P	RF
015T1507-320		1	6Q	RF
		4	3P	RF
015T1507-321		1	2S	RF
		4	1R	RF
015T1507-322		1	6S	RF
		4	3R	RF
015T1507-323		1	2U	RF
		4	1T	RF
015T1507-324		1	6U	RF
		4	3T	RF
015T1507-325		1	2W	RF
		4	1V	RF
015T1507-326		1	6W	RF
		4	3V	RF
015T1507-327		1	2X	RF
		4	1W	RF
015T1507-328		1	6X	RF
		4	3W	RF
015T1507-329		1	2Y	RF
		4	1X	RF
015T1507-330		1	6Y	RF
		4	3X	RF
015T1507-331		1	3B	RF
		4	2A	RF
015T1507-332		1	7B	RF
		4	4A	RF

57-43-51

ILLUSTRATED PARTS LIST
 01.1 Page 1051
 Mar 01/04

PART NUMBER	AIRLINE PART NO.	FIG.	ITEM	TTL REQ
015T1507-333		1	3D	RF
		4	2C	RF
015T1507-334		1	7D	RF
		4	4C	RF
015T1507-335		1	3F	RF
		4	2E	RF
015T1507-336		1	7F	RF
		4	4E	RF
015T1507-337		1	3H	RF
		4	2G	RF
015T1507-338		1	7H	RF
		4	4G	RF
015T1507-339		1	3K	RF
		4	2J	RF
015T1507-340		1	7K	RF
		4	4J	RF
015T1507-341		1	3M	RF
		4	2L	RF
015T1507-342		1	7M	RF
		4	4L	RF
015T1507-343		1	1Y	RF
		2	1D	RF
015T1507-344		1	5Y	RF
		2	5D	RF
015T1507-345		1	1Z	RF
		2	1E	RF
015T1507-346		1	5Z	RF
		2	5E	RF
015T1507-347		1	2	RF
		2	1F	RF
015T1507-348		1	6	RF
		2	5F	RF
015T1507-349		1	2D	RF
		3	1H	RF
015T1507-350		1	6D	RF
		3	5H	RF

57-43-51

 ILLUSTRATED PARTS LIST
 01.1 Page 1052
 Mar 01/04

015T0165
 015T1507
 114T4103
 DASH NUMBERS LIMITED

 **BOEING**
 COMPONENT
 MAINTENANCE MANUAL

PART NUMBER	AIRLINE PART NO.	FIG.	ITEM	TTL REQ
015T1507-351		1	2E	RF
		3	1J	RF
015T1507-352		1	6E	RF
		3	5J	RF
015T1507-353		1	2F	RF
		3	1K	RF
015T1507-354		1	6F	RF
015T1507-354		3	5K	RF
015T1507-355		1	2H	RF
		3	1M	RF
015T1507-356		1	6H	RF
		3	5M	RF
015T1507-357		1	2L	RF
		3	1Q	RF
015T1507-358		1	6L	RF
		3	5Q	RF
015T1507-359		1	2M	RF
		3	1R	RF
015T1507-360		1	6M	RF
		3	5R	RF
015T1507-361		1	2R	RF
		4	1Q	RF
015T1507-362		1	6R	RF
		4	3Q	RF
015T1507-363		1	2T	RF
		4	1S	RF
015T1507-364		1	6T	RF
		4	3S	RF
015T1507-365		1	2V	RF
		4	1U	RF
015T1507-366		1	6V	RF
		4	3U	RF
015T1507-367		1	2Z	RF
		4	1Y	RF
015T1507-368		1	6Z	RF
		4	3Y	RF

57-43-51

ILLUSTRATED PARTS LIST
 01.1 Page 1053
 Mar 01/04

PART NUMBER	AIRLINE PART NO.	FIG.	ITEM	TTL REQ
015T1507-369		1	3	RF
		4	1Z	RF
015T1507-370		1	7	RF
		4	3Z	RF
015T1507-371		1	3A	RF
		4	2	RF
015T1507-372		1	7A	RF
		4	4	RF
015T1507-373		1	3C	RF
		4	2B	RF
015T1507-374		1	7C	RF
		4	4B	RF
015T1507-375		1	3E	RF
		4	2D	RF
015T1507-376		1	7E	RF
		4	4D	RF
015T1507-377		1	3G	RF
		4	2F	RF
015T1507-378		1	7G	RF
		4	4F	RF
015T1507-379		1	3J	RF
		4	2H	RF
015T1507-380		1	7J	RF
		4	4H	RF
015T1507-381		1	3L	RF
		4	2K	RF
015T1507-382		1	7L	RF
		4	4K	RF
015T1507-383		1	3N	RF
		4	2M	RF
015T1507-384		1	7N	RF
		4	4M	RF
015T1507-385		1	2N	RF
		3	1S	RF
015T1507-386		1	6N	RF
		3	5S	RF

57-43-51

 ILLUSTRATED PARTS LIST
 01.1 Page 1054
 Mar 01/04

015T0165
 015T1507
 114T4103
 DASH NUMBERS LIMITED

 **BOEING**
 COMPONENT
 MAINTENANCE MANUAL

PART NUMBER	AIRLINE PART NO.	FIG.	ITEM	TTL REQ
015T1507-387		1	2P	RF
		3	1T	RF
015T1507-388		1	6P	RF
		3	5T	RF
102LH9075-3W		4	9L	2
		4	45A	12
		4	95A	2
		4	221A	6
		4	313A	6
		4	739A	10
1114T4222-24		3	734	1
114T4101-23		2	408	39
		2	416	3
		3	390	42
		4	391	42
114T4103-11		2	226	1
		2	330	1
114T4103-13SP		1	1	RF
		2	1	RF
114T4103-14SP		1	5	RF
		2	5	RF
114T4103-19		2	296	8
114T4103-2		3	5	RF
114T4103-21SP		1	1A	RF
		3	1	RF
114T4103-22SP		1	5A	RF
		3	5	RF
114T4103-23		1	1B	RF
		3	1A	RF
114T4103-24		1	5B	RF
		3	5A	RF
114T4103-25SP		1	1C	RF
		3	1B	RF
114T4103-26SP		1	5C	RF
		3	5B	RF
114T4103-27		1	1D	RF
		4	1C	RF
114T4103-28		1	5D	RF
		4	3C	RF
114T4103-29		1	1F	RF
		4	1	RF
114T4103-30		1	5F	RF
		4	3	RF
114T4103-31SP		1	1H	RF
		4	1B	RF

57-43-51

ILLUSTRATED PARTS LIST
 01.1 Page 1055
 Mar 01/04

PART NUMBER	AIRLINE PART NO.	FIG.	ITEM	TTL REQ
114T4103-32SP		1	5H	RF
		4	3B	RF
114T4103-37SP		1	1J	RF
		4	1D	RF
114T4103-38SP		1	5J	RF
		4	3D	RF
114T4103-39		1	1K	RF
		4	1E	RF
114T4103-40		1	5K	RF
		4	3E	RF
114T4103-401G		1	3Z	RF
		4	2Y	RF
114T4103-402G		1	7Z	RF
		4	4Z	RF
114T4103-403G		1	3S	RF
		4	2R	RF
114T4103-404G		1	7S	RF
		4	4R	RF
114T4103-405G		1	3T	RF
		4	2S	RF
114T4103-406G		1	7T	RF
		4	4S	RF
114T4103-407G		1	3U	RF
		4	2T	RF
114T4103-408G		1	7U	RF
114T4103-408G		4	4T	RF
114T4103-409G		1	3V	RF
		4	2U	RF
114T4103-41		1	1L	RF
		4	1F	RF
114T4103-410G		1	7V	RF
		4	4U	RF
114T4103-411G		1	3W	RF
		4	2V	RF
114T4103-412G		1	7W	RF
		4	4W	RF
114T4103-42		1	5L	RF
		4	3F	RF
114T4103-45		1	1N	RF
		4	1H	RF
114T4103-46		1	5N	RF
		4	3H	RF

57-43-51

 ILLUSTRATED PARTS LIST
 01.1 Page 1056
 Mar 01/04

PART NUMBER	AIRLINE PART NO.	FIG.	ITEM	TTL REQ
114T4103-47		1	1P	RF
		4	1J	RF
114T4103-48		1	5P	RF
		4	3J	RF
114T4103-49		1	1R	RF
		4	1K	RF
114T4103-50		1	5R	RF
		4	3K	RF
114T4103-5001		2	7	1
114T4103-5002		2	8	1
114T4103-5003		2	7A	1
114T4103-5004		2	8A	1
114T4103-5005		2	7B	1
114T4103-5006		2	8B	1
114T4103-5007		3	6	1
114T4103-5008		3	8	1
114T4103-5009		3	7	1
114T4103-5010		3	9	1
114T4103-5011		3	7A	1
114T4103-5012		3	9A	1
114T4103-51		1	1S	RF
		4	1L	RF
114T4103-52		1	5S	RF
		4	3L	RF
114T4103-53		1	1T	RF
114T4103-53		4	1M	RF
114T4103-54		1	5T	RF
		4	3M	RF
114T4103-57G		1	3X	RF
		4	2W	RF
114T4103-58G		1	7X	RF
		4	4X	RF
114T4103-59G		1	3Y	RF
		4	2X	RF

57-43-51

ILLUSTRATED PARTS LIST
01.1 Page 1057
Mar 01/04

PART NUMBER	AIRLINE PART NO.	FIG.	ITEM	TTL REQ
114T4103-60G		1	7Y	RF
		4	4Y	RF
114T4110-37		2	192	1
		3	192	1
		4	193	1
114T4110-39		2	196	1
		3	196	1
		4	197	1
114T4110-40		2	197	1
		3	197	1
		4	199	1
114T4110-41		2	232	1
		3	228	1
		4	229	1
114T4110-43		2	250	1
		3	246	1
		4	247	1
114T4110-45		2	282	1
		3	274	1
		4	275	1
114T4110-47		2	306	1
		3	292	1
		4	293	1
114T4110-49		2	338	1
		3	320	1
		4	321	1
114T4110-51		2	362	1
		3	344	1
		4	345	1
114T4110-53		2	358	1
		3	340	1
		4	341	1
114T4110-54		2	360	1
		3	342	1
		4	343	1

57-43-51

 ILLUSTRATED PARTS LIST
 01.1 Page 1058
 Mar 01/04

015T0165
 015T1507
 114T4103
 DASH NUMBERS LIMITED

 **BOEING**
 COMPONENT
 MAINTENANCE MANUAL

PART NUMBER	AIRLINE PART NO.	FIG.	ITEM	TTL REQ
114T4110-55		2	388	1
114T4110-55		3	374	1
		4	375	1
114T4113-1		2	428	1
114T4113-10		2	434A	1
		3	394A	1
		4	395A	1
114T4113-11		4	393B	1
114T4113-12		4	395B	1
114T4113-17		2	428A	1
		3	392B	1
		4	393C	1
114T4113-18		2	432A	1
		3	394B	1
		4	395C	1
114T4113-19		2	430B	1
		3	392C	1
		4	393D	1
114T4113-2		2	432	1
114T4113-20		2	434B	1
		3	394C	1
		4	395D	1
114T4113-7		2	430	1
		3	392	1
		4	393	1
114T4113-8		2	434	1
		3	394	1
		4	395	1
114T4113-9		2	430A	1
		3	392A	1
		4	393A	1
114T4118-1		4	880	2
114T4118-2		4	885	2
114T4119-3		2	836	3
		3	700	3
		4	717	3

57-43-51

ILLUSTRATED PARTS LIST
 01.1 Page 1059
 Mar 01/04

PART NUMBER	AIRLINE PART NO.	FIG.	ITEM	TTL REQ
114T4119-4		2	838	3
		3	702	3
		4	719	3
114T4123-100		4	711	1
114T4123-105		4	709A	1
114T4123-106		4	711A	1
114T4123-19		2	828	1
114T4123-20		2	830	1
114T4123-35		2	828A	1
114T4123-36		2	830A	1
114T4123-401		4	709B	1
114T4123-402		4	711B	1
114T4123-71		3	692	1
114T4123-72		3	694	1
114T4123-81		3	693	1
114T4123-82		3	695	1
114T4123-99		4	709	1
114T4136-1		2	609	1
		2	651	1
		3	513A	1
		3	556A	1
		4	848	2
		2	610A	1
		2	652A	1
114T4136-2		3	514A	1
		3	557A	1
		4	850	2
		2	561	1
		2	563	1
		2	603	1
		2	605	1
114T4138-1		2	740	1
114T4138-2		2	742	1
114T4139-1		2	740	1
114T4139-2		2	742	1
114T4140-113		2	760	1
114T4140-114		2	762	1
114T4140-115		2	752	1
114T4140-116		2	754	1
114T4140-117		2	754	1
114T4140-118		2	772	1
114T4140-119		2	772	1
114T4140-120		2	774	1
114T4140-121		2	744	1
114T4140-122		2	744	1
114T4140-123		2	746	1
114T4140-124		2	764	1
114T4140-125		2	766	1
114T4140-126		2	756	1
114T4140-127		2	758	1
114T4140-128		2	776	1
		2	778	1

57-43-51

 ILLUSTRATED PARTS LIST
 01.1 Page 1060
 Mar 01/04

015T0165
 015T1507
 114T4103
 DASH NUMBERS LIMITED

 **BOEING**
 COMPONENT
 MAINTENANCE MANUAL

PART NUMBER	AIRLINE PART NO.	FIG.	ITEM	TTL REQ
114T4149-1		2	724A	2
		3	632	2
		4	653	2
114T4149-2		2	725	2
		3	634	2
		4	655	2
114T4151-10		2	952	1
		3	816	1
114T4151-10		4	834	1
		2	954	1
114T4151-11		3	818	1
		4	836	1
		2	956	1
114T4151-12		3	820	1
		4	838	1
		2	950	1
114T4151-9		3	814	1
		4	832	1
		2	488	1
114T4158-1		3	430	1
		4	435	1
		2	490	1
114T4158-2		3	432	1
		4	437	1
		2	504	1
114T4158-3		3	446	1
		4	459	1
		2	506	1
114T4158-4		3	448	1
		4	461	1
		2	480	2
114T4173-1		2	482	3
		2	478	13
114T4173-2		2	486	3
		3	426	16
		4	433	16
114T4173-6		2	484	1
		2	470	1
114T4174-10		2	456	4
		3	418	4
		4	425	4
114T4174-12		2	458	2
		3	422	2
		4	429	2
114T4174-13		2	460	2
		3	412	2
		4	419	2

57-43-51

ILLUSTRATED PARTS LIST
 01.1 Page 1060A
 Mar 01/04

PART NUMBER	AIRLINE PART NO.	FIG.	ITEM	TTL REQ
114T4174-17		2	462	2
		3	414	2
		4	421	2
114T4174-18		2	464	1
		2	474A	1
		3	424	2
114T4174-18		4	431	2
		2	474	1
114T4174-19		2	470A	1
114T4174-20		3	408	1
114T4174-21		4	415	1
		2	467A	1
		3	410	1
114T4174-3		4	417	1
		2	452	2
		3	420	2
114T4174-6		4	427A	2
		2	467	1
		2	454	2
114T4174-7		3	416	2
114T4175-15		4	423	2
		2	440A	1
		3	396	1
114T4175-16		4	403	1
		2	444A	1
		3	398	1
114T4175-17		4	405	1
		2	450	1
		3	400	1
114T4175-18		4	407	1
		2	446A	1
		2	448A	1
114T4175-3		3	402	1
		4	409	1
		2	436	2
114T4175-31		3	404	2
		4	411	2
		2	440	1
114T4175-32		2	444	1
114T4175-33		2	446	1
114T4175-34		2	448	1
114T4175-4		2	438	2
		3	406	2
		4	413	2

57-43-51

 ILLUSTRATED PARTS LIST
 01.1 Page 1060B
 Mar 01/04

015T0165
 015T1507
 114T4103
 DASH NUMBERS LIMITED

 **BOEING**
 COMPONENT
 MAINTENANCE MANUAL

PART NUMBER	AIRLINE PART NO.	FIG.	ITEM	TTL REQ
114T4177-3		2	266	1
114T4183-1		1	1	RF
		2	1	RF
		2	524C	1
		2	566C	1
114T4183-1		2	620A	1
		2	662A	1
		3	1	RF
		3	523A	1
		3	566A	1

57-43-51

ILLUSTRATED PARTS LIST
 01.1 Page 1060C
 Mar 01/04

PART NUMBER	AIRLINE PART NO.	FIG.	ITEM	TTL REQ
114T4183-1,		2	401	4
		2	523	2
		2	543	2
		2	545	16
		2	547	1
		2	549	1
		2	551	2
		2	552	36
		2	553	8
		2	554	2
		2	555	8
		2	556A	8
		2	557	10
		2	559	10
		2	561	1
		2	563	1
		2	581	2
		2	583	18
		2	585	1
		2	587	1
		2	589	2
		2	594	40
		2	596	4
		2	597	8
		2	598A	8
		2	599	8
		2	600A	10
		2	602A	10
		2	603	1
		2	605	1
	2	607	4	
	2	608A	4	
	2	609	1	
	2	610A	1	
	2	611	2	
	2	612A	2	
	2	613	4	
	2	614A	2	
	2	615	1	

57-43-51

ILLUSTRATED PARTS LIST
 01.1 Page 1060D
 Mar 01/04

015T0165
 015T1507
 114T4103
 DASH NUMBERS LIMITED

 **BOEING**
 COMPONENT
 MAINTENANCE MANUAL

PART NUMBER	AIRLINE PART NO.	FIG.	ITEM	TTL REQ
114T4183-1,		2	617	1
		2	618A	2
		2	619	1
		2	622A	2
		2	623	2
		2	624A	1
		2	625	1
		2	626A	4
		2	627	2
		2	632A	1
		2	633	2
		2	634A	1
		2	649	4
		2	650A	4
		2	651	1
		2	652A	1
		2	653	2
		2	654A	2
		2	655	4
		2	656A	2
		2	657	1
		2	659	1
		2	660A	2
		2	661	1
		2	664A	2
		2	665	2
		2	666A	1
		2	667	1
		2	668A	4
		2	669	2
		2	674A	1
		2	675	2
		2	676A	1
		2	718A	8
		2	724A	2
		2	725	2
		2	737	4
		2	738A	4
		2	750A	2
		2	770A	2
	2	933	24	
	2	933G	2	
	3	511	4	
	3	512A	4	

57-43-51

ILLUSTRATED PARTS LIST
 01.1 Page 1060E
 Mar 01/04

PART NUMBER	AIRLINE PART NO.	FIG.	ITEM	TTL REQ
114T4183-1,		3	513A	1
		3	514A	1
		3	515A	2
		3	516A	2
		3	517	4
		3	518B	2
		3	519	1
		3	520A	1
		3	521	2
		3	522A	1
		3	525	2
		3	526A	2
		3	527	1
		3	528A	1
		3	529	4
		3	530A	2
		3	535	1
		3	536A	2
		3	536E	1
		3	554A	4
		3	555A	4
		3	556A	1
		3	557A	1
		3	558A	2
		3	559	2
		3	560A	4
		3	561	2
		3	562A	1
		3	563	1
		3	564A	2
	3	565	1	
	3	568A	2	
	3	569	2	
	3	570A	1	
	3	571	1	
	3	572A	4	
	3	573	2	
	3	578A	1	
	3	578E	2	
	3	578J	1	

57-43-51

ILLUSTRATED PARTS LIST
 01.1 Page 1060F
 Mar 01/04

015T0165
 015T1507
 114T4103
 DASH NUMBERS LIMITED

 **BOEING**
 COMPONENT
 MAINTENANCE MANUAL

PART NUMBER	AIRLINE PART NO.	FIG.	ITEM	TTL REQ
114T4183-2		1	5	RF
		2	5	RF
114T4183-2		2	401	4
		2	523	2
		2	526C	1
		2	543	2
		2	545	16
		2	547	1
		2	549	1
		2	551	2
		2	552	36
		2	553	8
		2	554	2
		2	555	8
		2	556A	8
		2	557	10
		2	559	10
		2	561	1
		2	563	1
		2	568C	1
		2	581	2
		2	583	18
		2	585	1
		2	587	1
		2	589	2
		2	594	40
		2	596	4
		2	597	8
		2	598A	8
2	599	8		
2	600A	10		
2	602A	10		
2	603	1		
2	605	1		
2	607	4		
2	608A	4		
2	609	1		
2	610A	1		
2	611	2		
2	612A	2		
2	613	4		
2	614A	2		
2	615	1		
2	617	1		
2	618A	2		
2	619	1		

57-43-51

ILLUSTRATED PARTS LIST
 01.1 Page 1060G
 Mar 01/04

PART NUMBER	AIRLINE PART NO.	FIG.	ITEM	TTL REQ
114T4183-2		2	621	1
		2	622A	2
		2	623	2
		2	624A	1
		2	625	1
		2	626A	4
		2	627	2
		2	632A	1
		2	633	2
		2	634A	1
		2	649	4
		2	650A	4
		2	651	1
		2	652A	1
		2	653	2
		2	654A	2
		2	655	4
		2	656A	2
		2	657	1
		2	659	1
		2	660A	2
		2	661	1
		2	663	1
		2	664A	2
		2	665	2
		2	666A	1
		2	667	1
		2	668A	4
		2	669	2
		2	674A	1
		2	675	2
		2	676A	1
		2	718A	8
		2	724A	2
		2	725	2
		2	737	4
		2	738A	4
		2	750A	2
		2	770A	2
		2	933	24
	2	933G	2	
	3	5A	RF	
	3	511	4	
	3	512A	4	
	3	513A	1	
	3	514A	1	

57-43-51

 ILLUSTRATED PARTS LIST
 01.1 Page 1060H
 Mar 01/04

015T0165
 015T1507
 114T4103
 DASH NUMBERS LIMITED

 **BOEING**
 COMPONENT
 MAINTENANCE MANUAL

PART NUMBER	AIRLINE PART NO.	FIG.	ITEM	TTL REQ	
114T4183-2		3	515A	2	
		3	516A	2	
		3	517	4	
		3	518B	2	
		3	519	1	
		3	520A	1	
		3	521	2	
		3	522A	1	
		3	524A	1	
		3	525	2	
		3	526A	2	
		3	527	1	
		3	528A	1	
		3	529	4	
		3	530A	2	
		3	535	1	
		3	536A	2	
		3	536E	1	
		3	554A	4	
		3	555A	4	
		3	556A	1	
		3	557A	1	
		3	558A	2	
		3	559	2	
		3	560A	4	
		3	561	2	
		3	562A	1	
		3	563	1	
		3	564A	2	
		3	565	1	
		3	567	1	
		3	568A	2	
		3	569	2	
		3	570A	1	
		3	571	1	
		3	572A	4	
		3	573	2	
		3	578A	1	
		3	578E	2	
		3	578J	1	
		3	581A	1	
	114T4183-3		2	635	1
			3	537	1
	114T4183-4		2	637	1
			3	539A	1
	114T4183-5		2	677	1
			3	579	1

57-43-51

ILLUSTRATED PARTS LIST
 01.1 Page 1060I
 Mar 01/04

PART NUMBER	AIRLINE PART NO.	FIG.	ITEM	TTL REQ
114T4183-6		2	679	1
114T4183-8		2	523	2
114T4184-7		2	933G	2
114T4190-1		2	620A	1
		3	523A	1
114T4190-2		2	621	1
		3	524A	1
114T4190-3		2	630A	1
		3	533	1
114T4190-4		2	631	1
		3	534A	1
114T4191-1		2	662A	1
		3	566A	1
114T4191-2		2	663	1
		3	567	1
114T4191-3		2	672A	1
		3	576A	1
114T4191-4		2	673	1
		3	577	1
114T4196-1		2	524C	1
114T4196-2		2	526C	1
114T4196-3		2	529	1
114T4196-4		2	530A	1
114T4197-1		2	566C	1
114T4197-2		2	568C	1
114T4197-3		2	573	1
114T4197-4		2	575	1
114T4200-10		2	848	1
114T4200-11		2	890	1
		3	754	1
		4	771	1
114T4200-12		2	892	1
		3	756	1
		4	773	1
114T4200-25		3	710	1
		4	727	1
114T4200-26		3	712	1
		4	729	1
114T4200-31		4	727A	1
114T4200-32		4	729A	1
114T4200-9		2	846	1
114T4221-11		2	904	1
		3	768	1
114T4221-11		4	785	1

57-43-51

 ILLUSTRATED PARTS LIST
 01.1 Page 1060J
 Mar 01/04

015T0165
 015T1507
 114T4103
 DASH NUMBERS LIMITED

 **BOEING**
 COMPONENT
 MAINTENANCE MANUAL

PART NUMBER	AIRLINE PART NO.	FIG.	ITEM	TTL REQ
114T4221-12		2	906	1
		3	770	1
		4	787	1
114T4221-19		2	872	1
		3	736	1
114T4221-20		2	874	1
		3	738	1
114T4221-21		2	916	1
		3	780	1
		4	753A	1
		4	797	1
114T4221-22		3	782	1
		4	755A	1
		4	799	1
		4	753B	1
114T4221-25		4	755B	1
114T4221-26		4	755B	1
114T4221-7		2	860	1
		3	724	1
114T4221-8		4	741	1
		2	862	1
		3	726	1
		4	743	1
114T4222-16		2	880A	1
		3	744A	1
114T4222-17		2	924	1
		3	788	1
		4	761B	1
		4	805	1
114T4222-23		3	732	1
		4	749	1
114T4222-24		4	751	1
114T4222-25		2	912	1
		3	776	1
		4	793	1

57-43-51

ILLUSTRATED PARTS LIST
 01.1 Page 1060K
 Mar 01/04

PART NUMBER	AIRLINE PART NO.	FIG.	ITEM	TTL REQ
114T4222-26		2	914	1
		3	778	1
		4	795	1
114T4222-7		2	868	1
114T4222-8		2	870	1
114T4223-25		2	908	1
		3	772	1
		4	789	1
114T4223-26		2	910	1
		3	774	1
114T4223-26		4	791	1
114T4223-27		2	876	1
		3	740	1
114T4223-28		2	878	1
		3	742	1
114T4223-29		2	864	1
		3	728	1
		4	745	1
114T4223-30		2	866	1
		3	730	1
		4	747	1
114T4223-37		2	920	1
		3	784	1
		4	801	1
114T4223-38		2	922	1
		3	786	1
		4	803	1
114T4223-39		4	757A	1
114T4223-40		4	759A	1
114T4224-3		2	80	1
		3	80	1
		4	65	1

57-43-51

 ILLUSTRATED PARTS LIST
 01.1 Page 1060L
 Mar 01/04

015T0165
 015T1507
 114T4103
 DASH NUMBERS LIMITED

 **BOEING**
 COMPONENT
 MAINTENANCE MANUAL

PART NUMBER	AIRLINE PART NO.	FIG.	ITEM	TTL REQ
114T4224-4		2	84	1
		3	84	1
		4	69	1
114T4224-8		4	65A	1
114T4224-9		4	69A	1
114T4225-5		2	92	1
		3	92	1
		4	77	1
114T4225-6		2	94	1
		3	94	1
		4	79	1
114T4226-2		2	100	2
		3	100	2
		4	85	2
114T4230-10		2	142	1
		3	142A	1
		4	133	1
114T4230-11		2	158	1
		3	158	1
		4	159	1
114T4230-14		2	144	1
		3	144	1
		4	135	1
114T4230-15		2	160	1
		3	160	1
		4	161	1
114T4230-2		2	138	1
		3	138	1
		4	129	1
114T4230-3		2	154	1
		3	154	1
		4	155	1
114T4230-6		2	140	1
		3	140	1
		4	131	1

57-43-51

ILLUSTRATED PARTS LIST
 01.1 Page 1060M
 Mar 01/04

PART NUMBER	AIRLINE PART NO.	FIG.	ITEM	TTL REQ
114T4230-7		2	156	1
		3	156	1
		4	157	1
114T4231-10		2	134	1
		3	134	1
		4	125	1
114T4231-11		2	150	1
		3	150	1
		4	151	1
114T4231-14		2	136	1
		3	136	1
		4	127	1
114T4231-15		2	152	1
		3	152	1
		4	153	1
114T4231-2		2	130	1
		3	130	1
		4	121	1
114T4231-27		2	102	1
		2	104	1
			146	1
114T4231-28		2	146	1
		3	146	1
		4	147	1
114T4231-46		3	128G	1
		4	111	1
		3	144G	1
4	137		1	
114T4231-47		3	128K	1
		4	113	1
		3	144K	1
4	139		1	
114T4231-50		3	128P	1
		4	115	1
		3	144P	1
4	141		1	
114T4231-51		2	132	1
		3	132	1
		4	123	1
114T4231-54		2	148	1
		3	148	1
		4	149	1
114T4231-55		2	28	1
		3	28	1
		4	13	1
114T4232-13		2	30	1
		3	30	1
		4	15	1
114T4232-14		2	30	1
		3	30	1
		4	15	1

57-43-51

 ILLUSTRATED PARTS LIST
 01.1 Page 1060N
 Mar 01/04

015T0165
 015T1507
 114T4103
 DASH NUMBERS LIMITED

 **BOEING**
 COMPONENT
 MAINTENANCE MANUAL

PART NUMBER	AIRLINE PART NO.	FIG.	ITEM	TTL REQ
114T4232-15		2	32	1
		3	32	1
		4	17	1
114T4232-16		2	34	1
		3	34	1
		4	19	1
114T4232-17		2	36	1
		3	36	1
		4	21	1
114T4232-18		2	38	1
		3	38	1
		4	23	1
114T4233-13		2	16	1
		3	16	1
114T4233-14		2	18	1
		3	18	1
114T4233-15		2	20	1
		3	20	1
114T4233-16		2	22	1
		3	22	1
114T4233-17		2	24	1
		3	24	1
114T4233-18		2	26	1
		3	26	1
114T4233-31		2	62	2
		3	62	2
		4	47	2
114T4233-32		3	27	59
		4	11	55
		4	11L	4
114T4233-33		4	12D	1
114T4234-11		2	64	1
		3	64	1
		4	49	1
114T4234-12		2	66	1
		3	66	1
		4	51	1
114T4234-3		2	76	1
		3	76	1
		4	61	1
114T4234-4		2	78	1
		3	78	1
		4	63	1

57-43-51

ILLUSTRATED PARTS LIST
 01.1 Page 10600
 Mar 01/04

PART NUMBER	AIRLINE PART NO.	FIG.	ITEM	TTL REQ
114T4234-5		2	70	1
		3	70	1
		4	55	1
114T4234-6		2	72	1
		3	72	1
		4	57	1
114T4235-2		2	68	1
		3	68	1
		4	53	1
114T4235-3		2	74	1
		3	74	1
		4	59	1
114T4235-8		2	112	1
		3	112	1
		4	97	1
114T4236-10		4	71A	1
114T4236-3		2	82	1
		3	82	1
		4	67	1
114T4236-4		2	86	1
		3	86	1
		4	71	1
114T4236-9		4	67A	1
114T4237-10		2	116	1
		3	116	1
		4	101	1
114T4237-9		2	114	1
		3	114	1
		4	99	1
114T4240-45		2	882	1
114T4240-46		2	884	1

57-43-51

 ILLUSTRATED PARTS LIST
 01.1 Page 1060P
 Mar 01/04

015T0165
 015T1507
 114T4103
 DASH NUMBERS LIMITED

 **BOEING**
 COMPONENT
 MAINTENANCE MANUAL

PART NUMBER	AIRLINE PART NO.	FIG.	ITEM	TTL REQ
114T4240-47		2	886	1
114T4240-48		2	888	1
114T4240-49		2	926	1
		3	790	1
		4	807	1
114T4240-50		2	928	1
		3	792	1
		4	809	1
114T4240-51		2	930	1
		3	794	1
		4	811	1
114T4240-52		2	932	1
		3	796	1
		4	813	1
114T4240-73		3	746	1
		4	763	1
114T4240-74		3	748	1
		4	765	1
114T4240-75		3	750	1
		4	767	1
114T4240-76		3	752	1
		4	769	1
114T4242-10		2	104A	1
		3	104	1
		4	89	1
114T4242-9		2	102A	1
		3	102	1
		4	87	1
114T4263-1		2	170	1
		3	174	1
		4	175	1
114T4263-10		2	280	1
		3	272	1
		4	273	1

57-43-51

ILLUSTRATED PARTS LIST
 01.1 Page 1060Q
 Mar 01/04

PART NUMBER	AIRLINE PART NO.	FIG.	ITEM	TTL REQ
114T4263-11		2	302	1
		3	288	1
		4	289	1
114T4263-12		2	304	1
		3	290	1
		4	291	1
114T4263-13		2	334	1
		2	336	1
114T4263-14		2	352	1
		3	334	1
114T4263-15		2	354	1
		3	336	1
114T4263-16		2	384	1
		3	370	1
114T4263-17		4	371	1
		2	386	1
114T4263-18		3	372	1
		4	373	1
114T4263-2		2	172	1
		3	176	1
114T4263-21		4	177	1
		3	224	1
114T4263-22		4	225	1
		3	226	1
114T4263-23		4	227	1
		3	316	1
114T4263-24		4	317	1
		3	318	1
114T4263-25		4	319	1
		3	189	1
114T4263-26		4	189	1
		3	191	1
114T4263-27		4	191	1
		3	335	1
		4	335	1

57-43-51

ILLUSTRATED PARTS LIST
 01.1 Page 1060R
 Mar 01/04

015T0165
 015T1507
 114T4103
 DASH NUMBERS LIMITED

 **BOEING**
 COMPONENT
 MAINTENANCE MANUAL

PART NUMBER	AIRLINE PART NO.	FIG.	ITEM	TTL REQ
114T4263-28		3	337	1
		4	337	1
114T4263-3		2	188	1
		3	188A	1
114T4263-4		2	190	1
		3	190	1
114T4263-5		2	228	1
114T4263-6		2	230	1
114T4263-7		2	246	1
		3	242	1
		4	243	1
114T4263-8		2	248	1
		3	244	1
		4	245	1
114T4263-9		2	278	1
		3	270	1
		4	271	1
114T4301-109		4	868	1
114T4301-110		4	870	1
114T4301-111		4	862	1
114T4301-112		4	864	1
114T4301-115		4	856	1
114T4301-116		4	858	1
114T4301-161		4	868A	1
114T4301-162		4	870A	1
114T4301-163		4	862A	1
114T4301-164		4	864A	1
114T4301-167		4	856A	1
114T4301-168		4	858A	1
114T4302-4		2	268B	1
		3	268C	1
		4	269	1
114T4404-10		3	539A	1
114T4404-11		3	550	1
114T4404-12		3	552	1
114T4404-13		3	538A	1
114T4404-14		3	540A	1
114T4404-15		3	551	1
114T4404-16		3	553	1
114T4404-17		4	533	1
114T4404-18		4	535	1
114T4404-19		4	569	1
114T4404-20		4	571	1
114T4404-21		4	533A	1
114T4404-22		4	535A	1
114T4404-5		2	635	1
114T4404-6		2	637	1

57-43-51

ILLUSTRATED PARTS LIST
 01.1 Page 1060S
 Mar 01/04

PART NUMBER	AIRLINE PART NO.	FIG.	ITEM	TTL REQ
114T4404-7		2	646	1
114T4404-8		2	648	1
114T4404-9		3	537	1
114T4405-10		3	581A	1
114T4405-11		3	592	1
114T4405-12		3	594	1
114T4405-13		3	580A	1
114T4405-14		3	582A	1
114T4405-15		3	593	1
114T4405-16		3	595	1
114T4405-17		4	573	1
114T4405-18		4	575	1
114T4405-19		4	609	1
114T4405-20		4	611	1
114T4405-21		4	573A	1
114T4405-22		4	575A	1
114T4405-5		2	677	1
114T4405-6		2	679	1
114T4405-7		2	688	1
114T4405-8		2	690	1
114T4405-9		3	579	1
114T4504-5		2	780	1
114T4504-6		2	782	1
114T4504-7		2	790	1
114T4504-8		2	792	1
114T4505-5		2	784	1
114T4505-6		2	786	1
114T4505-7		2	794	1
114T4505-8		2	796	1
114T4510-29		2	692	1
114T4510-30		2	694	1
114T4510-31		2	696	1
114T4510-32		2	698	1
114T4516-1		3	596	1
114T4516-10		3	598A	1
114T4516-11		3	640A	1
114T4516-12		3	642A	1
114T4516-13		4	613	1
114T4516-14		4	615	1
114T4516-15		4	657	1
114T4516-16		4	659	1
114T4516-17		4	613A	1
114T4516-18		4	615A	1
114T4516-19		3	596B	1
114T4516-2		3	598	1

57-43-51

 ILLUSTRATED PARTS LIST
 01.1 Page 1060T
 Mar 01/04

015T0165
 015T1507
 114T4103
 DASH NUMBERS LIMITED

 **BOEING**
 COMPONENT
 MAINTENANCE MANUAL

PART NUMBER	AIRLINE PART NO.	FIG.	ITEM	TTL REQ
114T4516-20		3	598B	1
114T4516-21		3	640B	1
114T4516-22		3	642B	1
114T4516-3		3	640	1
114T4516-4		3	642	1
114T4516-401		4	613B	1
114T4516-402		4	615B	1
114T4516-403		4	657A	1
114T4516-404		4	659A	1
114T4516-5		3	597	1
114T4516-6		3	599	1
114T4516-7		3	641	1
114T4516-8		3	643	1
114T4516-9		3	596A	1
114T4517-1		3	600	1
114T4517-10		3	602A	1
114T4517-11		3	644A	1
114T4517-12		3	646A	1
114T4517-13		4	617	1
114T4517-14		4	619	1
114T4517-15		4	661	1
114T4517-16		4	663	1
114T4517-17		4	617A	1
114T4517-18		4	619A	1
114T4517-19		3	600B	1
114T4517-2		3	602	1
114T4517-20		3	602B	1
114T4517-21		3	644B	1
114T4517-22		3	646B	1
114T4517-3		3	644	1
114T4517-4		3	646	1
114T4517-401		4	617B	1
114T4517-402		4	619B	1
114T4517-403		4	661A	1
114T4517-404		4	663A	1

57-43-51

ILLUSTRATED PARTS LIST
 01.1 Page 1060U
 Mar 01/04

PART NUMBER	AIRLINE PART NO.	FIG.	ITEM	TTL REQ
114T4517-5		3	601	1
114T4517-6		3	603	1
114T4517-7		3	645	1
114T4517-8		3	647	1
114T4517-9		3	600A	1
114T4604-13		3	466	1
114T4604-14		3	468	1
114T4604-15		3	504	1
114T4604-16		3	506	1
114T4604-21		4	487	1
114T4604-22		4	489	1
114T4604-23		4	525	1
114T4604-24		4	527	1
114T4604-25		4	487A	1
114T4604-26		4	489A	1
114T4604-401		4	487B	1
114T4604-402		4	489B	1
114T4604-403		4	525A	1
114T4604-404		4	527A	1
114T4605-13		3	470	1
114T4605-14		3	472	1
114T4605-15		3	508	1
114T4605-16		3	510	1
114T4605-21		4	491	1
114T4605-22		4	493	1
114T4605-23		4	529	1
114T4605-24		4	531	1
114T4605-25		4	491A	1
114T4605-26		4	493A	1
114T4605-401		4	491B	1
114T4605-402		4	493B	1
114T4605-403		4	529A	1
114T4605-404		4	531A	1
114T4703-10		4	667	1
114T4703-13		4	665A	1

57-43-51

 ILLUSTRATED PARTS LIST
 01.1 Page 1060V
 Mar 01/04

015T0165
 015T1507
 114T4103
 DASH NUMBERS LIMITED

 **BOEING**
 COMPONENT
 MAINTENANCE MANUAL

PART NUMBER	AIRLINE PART NO.	FIG.	ITEM	TTL REQ
114T4703-14		4	667A	1
114T4703-5		3	648	1
114T4703-6		3	650	1
114T4703-9		4	665	1
114T4905-1		2	798	1
114T4905-10		4	677	1
114T4905-13		4	675A	1
114T4905-14		4	677A	1
114T4905-2		2	800	1
114T4905-5		3	658	1
114T4905-6		3	660	1
114T4905-9		4	675	1
114T4906-1		2	812	1
114T4906-10		4	693	1
114T4906-13		4	691A	1
114T4906-14		4	693A	1
114T4906-2		2	814	1
114T4906-5		3	674	1
114T4906-6		3	676	1
114T4906-9		4	691	1
114T4912-10		2	518G	1
		3	460M	1
		4	477	1
114T4912-7		2	502A	1
		3	444G	1
		4	453	1
114T4912-8		2	502G	1
		3	445	1
		4	455	1
114T4912-9		2	518A	1
		3	460G	1
		4	475	1

57-43-51

ILLUSTRATED PARTS LIST
 01.1 Page 1060W
 Mar 01/04

PART NUMBER	AIRLINE PART NO.	FIG.	ITEM	TTL REQ
114T6415-1		2	614A	2
		2	656A	2
		3	518B	2
114T6415-3		3	561	2
		2	632A	1
		2	674A	1
114T6415-5		3	535	1
		3	578A	1
		2	633	2
114T6415-6		2	675	2
		3	536A	2
		3	578E	2
256T2931-10		4	852	4
256T2931-9		4	12M	1
66013-6		4	12A	1
66014-14		3	807	12
66014-5		2	738A	4
		2	412	10
66014-6		2	559	10
		2	602A	10
		2	404	34
		2	623	2
		2	665	2
		2	948	10
		3	386	34
		3	526A	2
		3	569	2
		3	812	10
		4	387	34
		4	830	10
		4	855	1
		4	867	2

57-43-51

ILLUSTRATED PARTS LIST
 01.1 Page 1060X
 Mar 01/04

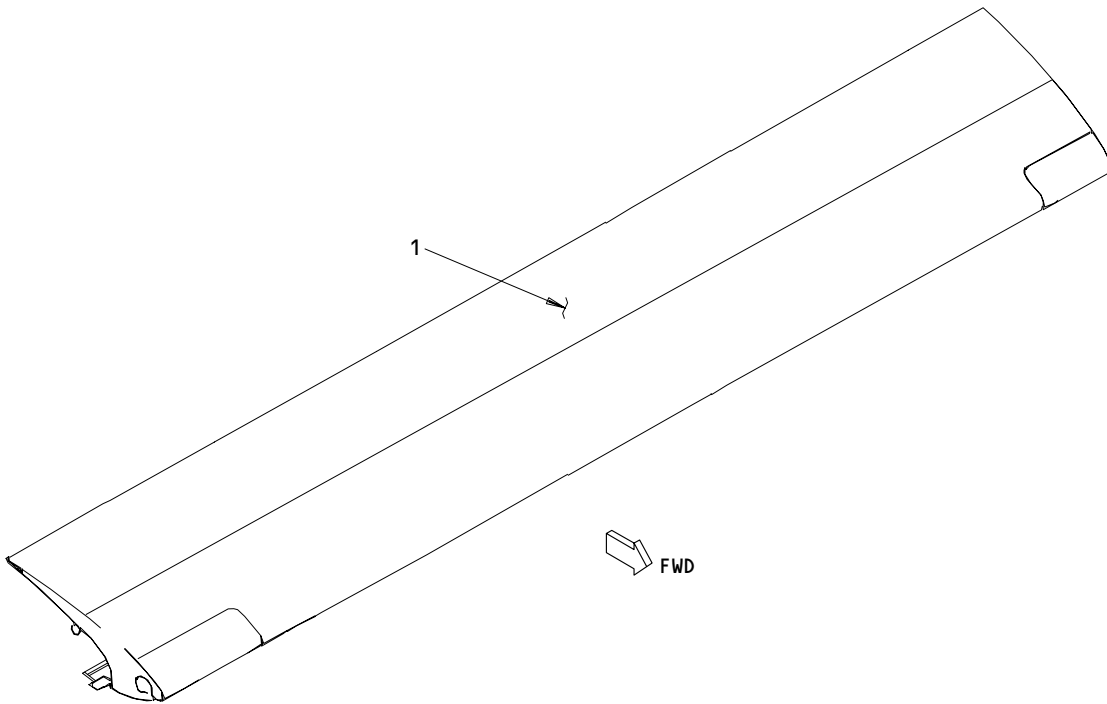
015T0165
 015T1507
 114T4103
 DASH NUMBERS LIMITED

 **BOEING**
 COMPONENT
 MAINTENANCE MANUAL

PART NUMBER	AIRLINE PART NO.	FIG.	ITEM	TTL REQ
67068-5A3		2	718B	8
		3	626A	8
		4	647A	8
69310-5A3 96-02		2	718A	8
		2	14	2
		2	60	12
		2	110	2
		2	124	24
		2	222	2
		2	328	2
		2	608A	4
		2	612A	2
		2	625	1
		2	650A	4
		2	654A	2
		2	667	1
		2	858	12
		2	902	12
96-02		3	14	2
		3	60	12
		3	110	2
		3	220	6
		3	312	6
		3	512A	4
		3	516A	2
		3	528A	1
		3	555A	4
		3	559	2
		3	571	1
		3	722	10
		3	766	12
		4	9	2
		4	45	12
4	95	2		
4	221	6		
4	313	6		
4	739	10		
4	844	12		
96-82		2	722A	8
		3	630A	8
		4	651A	8

57-43-51

ILLUSTRATED PARTS LIST
 01.1 Page 1060Y
 Mar 01/04



Outboard Slat No. 3 Wing Leading Edge Structure Assembly
Figure 1

57-43-51

ILLUSTRATED PARTS LIST
01.1 Page 1060Z
Mar 01/04

FIG. & ITEM	PART NO.	AIRLINE PART NUMBER	NOMENCLATURE 1234567	EFF CODE	QTY PER ASSY
01- -1	114T4103-13SP		STRUCTURE ASSY-OUTBD SLAT NO. 3 WING LE (LH) (REWORK DWG 114T4183-1) (PRE SB 767-32-0107) (PRE SB 767-32-0095) (PRE SB 767-57A0057) (FOR DETAILS SEE FIG. 2)	A	RF
-1A	114T4103-21SP		STRUCTURE ASSY-OUTBD SLAT NO. 3 WING LE (LH) (REWORK DWG 114T4183-1) (PRE SB 767-32-0095) (PRE SB 767-57A0057) (FOR DETAILS SEE FIG. 3)	B	RF
-1B	114T4103-23		STRUCTURE ASSY-OUTBD SLAT NO. 3 WING LE (VARIABLE) (LH) (REWORK DWG 114T4183-1) (PRE SB 767-57A0057) (FOR DETAILS SEE FIG. 3)	C	RF
-1C	114T4103-25SP		STRUCTURE ASSY-OUTBD SLAT NO. 3 WING LE (LH) (POST SB 767-32-0107) (PRE SB 767-57A0057) (FOR DETAILS SEE FIG. 3)	D	RF
-1D	114T4103-27		STRUCTURE ASSY-OUTBD SLAT NO. 3 WING LE (VARIABLE) (LH) (PRE SB 767-57A0057) (FOR DETAILS SEE FIG. 4)	E	RF
-1F	114T4103-29		STRUCTURE ASSY-OUTBD SLAT NO. 3 WING LE (VARIABLE) (LH) (PRE SB 767-57A0057) (FOR DETAILS SEE FIG. 4)	F	RF
-1G	114T4103-31		DELETED		
-1H	114T4103-31SP		STRUCTURE ASSY-OUTBD SLAT NO. 3 WING LE (LH) (POST SB 767-32-0107) (PRE SB 767-57A0057) (FOR DETAILS SEE FIG. 4)	G	RF

57-43-51

FIG. & ITEM	PART NO.	AIRLINE PART NUMBER	NOMENCLATURE 1234567	EFF CODE	QTY PER ASSY
01- -1J	114T4103-37SP		STRUCTURE ASSY-OUTBD SLAT NO. 3 WING LE (LH) (POST SB 767-32-0107) (PRE SB 767-57A0057) (FOR DETAILS SEE FIG. 4)	H	RF
-1K	114T4103-39		STRUCTURE ASSY-OUTBD SLAT NO. 3 WING LE (VARIABLE) (LH) (PRE SB 767-57A0057) (FOR DETAILS SEE FIG. 4)	J	RF
-1L	114T4103-41		STRUCTURE ASSY-OUTBD SLAT NO. 3 WING LE (LH) (POST SB 767-32-0107) (PRE SB 767-57A0057) (FOR DETAILS SEE FIG. 4)	K	RF
-1M	114T4103-43		DELETED		
-1N	114T4103-45		STRUCTURE ASSY-OUTBD SLAT NO. 3 WING LE (VARIABLE) (LH) (PRE SB 767-57A0057) (FOR DETAILS SEE FIG. 4)	Y	RF
-1P	114T4103-47		STRUCTURE ASSY-OUTBD SLAT NO. 3 WING LE (VARIABLE) (LH) (PRE SB 767-57A0057) (FOR DETAILS SEE FIG. 4)	Z	RF
-1Q	015T0165-7		SLAT ASSY-NO. 3 AND NO. 10 WING LE TOP KIT (LH) (POST SB 767-32-0095) (PRE SB 767-57A0057) (FOR DETAILS SEE FIG. 3)	AC	RF
-1R	114T4103-49		STRUCTURE ASSY-OUTBD SLAT NO. 3 WING LE (LH) (PRE SB 767-57A0057) (FOR DETAILS SEE FIG. 4)	AE	RF
-1S	114T4103-51		STRUCTURE ASSY-OUTBD SLAT NO. 3 WING LE (VARIABLE) (LH) (PRE SB 767-57A0057) (FOR DETAILS SEE FIG. 4)	AG	RF
-1T	114T4103-53		STRUCTURE ASSY-OUTBD SLAT NO. 3 WING LE (LH) (FOR DETAILS SEE FIG. 4)	L	RF
-1U	114T4103-55		DELETED		

57-43-51

 ILLUSTRATED PARTS LIST
 01.1 Page 1062
 Mar 01/04

FIG. & ITEM	PART NO.	AIRLINE PART NUMBER	NOMENCLATURE 1234567	EFF CODE	QTY PER ASSY
01- -1V	015T1507-301		STRUCTURE ASSY-OUTBD SLAT NO. 3 WING LE (LH) (POST SB 767-57A0057) (FOR DETAILS SEE FIG. 2)	AL	RF
-1W	015T1507-303		STRUCTURE ASSY-OUTBD SLAT NO. 3 WING LE (LH) (POST SB 767-57A0057) (FOR DETAILS SEE FIG. 2)	AM	RF
-1X	015T1507-305		STRUCTURE ASSY-OUTBD SLAT NO. 3 WING LE (LH) (POST SB 767-57A0057) (FOR DETAILS SEE FIG. 2)	AN	RF
-1Y	015T1507-343		STRUCTURE ASSY-OUTBD SLAT NO. 3 WING LE (LH) (POST SB 767-57A0057) (FOR DETAILS SEE FIG. 2)	AP	RF
-1Z	015T1507-345		STRUCTURE ASSY-OUTBD SLAT NO. 3 WING LE (LH) (POST SB 767-57A0057) (FOR DETAILS SEE FIG. 2)	AQ	RF
-2	015T1507-347		STRUCTURE ASSY-OUTBD SLAT NO. 3 WING LE (LH) (POST SB 767-57A0057) (FOR DETAILS SEE FIG. 2)	AR	RF
-2A	015T1507-307		STRUCTURE ASSY-OUTBD SLAT NO. 3 WING LE (LH) (POST SB 767-57A0057) (FOR DETAILS SEE FIG. 3)	AY	RF
-2B	015T1507-309		STRUCTURE ASSY-OUTBD SLAT NO. 3 WING LE (LH) (POST SB 767-57A0057) (FOR DETAILS SEE FIG. 3)	AZ	RF
-2C	015T1507-311		STRUCTURE ASSY-OUTBD SLAT NO. 3 WING LE (LH) (POST SB 767-57A0057) (FOR DETAILS SEE FIG. 3)	BA	RF
-2D	015T1507-349		STRUCTURE ASSY-OUTBD SLAT NO. 3 WING LE (LH) (POST SB 767-57A0057) (FOR DETAILS SEE FIG. 3)	BB	RF
-2E	015T1507-351		STRUCTURE ASSY-OUTBD SLAT NO. 3 WING LE (LH) (POST SB 767-57A0057) (FOR DETAILS SEE FIG. 3)	BC	RF

57-43-51

FIG. & ITEM	PART NO.	AIRLINE PART NUMBER	NOMENCLATURE 1234567	EFF CODE	QTY PER ASSY
01- -2F	015T1507-353		STRUCTURE ASSY-OUTBD SLAT NO. 3 WING LE (LH) (POST SB 767-57A0057) (FOR DETAILS SEE FIG. 3)	BD	RF
-2G	015T1507-313		STRUCTURE ASSY-OUTBD SLAT NO. 3 WING LE (LH) (POST SB 767-57A0057) (FOR DETAILS SEE FIG. 3)	BE	RF
-2H	015T1507-355		STRUCTURE ASSY-OUTBD SLAT NO. 3 WING LE (LH) (POST SB 767-57A0057) (FOR DETAILS SEE FIG. 3)	BF	RF
-2J	015T1507-315		STRUCTURE ASSY-OUTBD SLAT NO. 3 WING LE (LH) (POST SB 767-57A0057) (FOR DETAILS SEE FIG. 3)	BG	RF
-2K	015T1507-317		STRUCTURE ASSY-OUTBD SLAT NO. 3 WING LE (LH) (POST SB 767-57A0057) (FOR DETAILS SEE FIG. 3)	BH	RF
-2L	015T1507-357		STRUCTURE ASSY-OUTBD SLAT NO. 3 WING LE (LH) (POST SB 767-57A0057) (FOR DETAILS SEE FIG. 3)	BJ	RF
-2M	015T1507-359		STRUCTURE ASSY-OUTBD SLAT NO. 3 WING LE (LH) (POST SB 767-57A0057) (FOR DETAILS SEE FIG. 3)	BK	RF
-2N	015T1507-385		STRUCTURE ASSY-OUTBD SLAT NO. 3 WING LE (LH) (POST SB 767-57A0057) (FOR DETAILS SEE FIG. 3)	BL	RF
-2P	015T1507-387		STRUCTURE ASSY-OUTBD SLAT NO. 3 WING LE (LH) (POST SB 767-57A0057) (FOR DETAILS SEE FIG. 3)	BM	RF
-2Q	015T1507-319		STRUCTURE ASSY-OUTBD SLAT NO. 3 WING LE (LH) (POST SB 767-57A0057) (FOR DETAILS SEE FIG. 4)	DC	RF
-2R	015T1507-361		STRUCTURE ASSY-OUTBD SLAT NO. 3 WING LE (LH) (POST SB 767-57A0057) (FOR DETAILS SEE FIG. 4)	DD	RF

57-43-51

 ILLUSTRATED PARTS LIST
 01.1 Page 1062B
 Mar 01/04

FIG. & ITEM	PART NO.	AIRLINE PART NUMBER	NOMENCLATURE 1234567	EFF CODE	QTY PER ASSY
01- -2S	015T1507-321		STRUCTURE ASSY-OUTBD SLAT NO. 3 WING LE (LH) (POST SB 767-57A0057) (FOR DETAILS SEE FIG. 4)	DE	RF
-2T	015T1507-363		STRUCTURE ASSY-OUTBD SLAT NO. 3 WING LE (LH) (POST SB 767-57A0057) (FOR DETAILS SEE FIG. 4)	DF	RF
-2U	015T1507-323		STRUCTURE ASSY-OUTBD SLAT NO. 3 WING LE (LH) (POST SB 767-57A0057) (FOR DETAILS SEE FIG. 4)	DG	RF
-2V	015T1507-365		STRUCTURE ASSY-OUTBD SLAT NO. 3 WING LE (LH) (POST SB 767-57A0057) (FOR DETAILS SEE FIG. 4)	DH	RF
-2W	015T1507-325		STRUCTURE ASSY-OUTBD SLAT NO. 3 WING LE (LH) (POST SB 767-57A0057) (FOR DETAILS SEE FIG. 4)	DJ	RF
-2X	015T1507-327		STRUCTURE ASSY-OUTBD SLAT NO. 3 WING LE (LH) (POST SB 767-57A0057) (FOR DETAILS SEE FIG. 4)	DK	RF
-2Y	015T1507-329		STRUCTURE ASSY-OUTBD SLAT NO. 3 WING LE (LH) (POST SB 767-57A0057) (FOR DETAILS SEE FIG. 4)	DL	RF
-2Z	015T1507-367		STRUCTURE ASSY-OUTBD SLAT NO. 3 WING LE (LH) (POST SB 767-57A0057) (FOR DETAILS SEE FIG. 4)	DM	RF
-3	015T1507-369		STRUCTURE ASSY-OUTBD SLAT NO. 3 WING LE (LH) (POST SB 767-57A0057) (FOR DETAILS SEE FIG. 4)	DN	RF
-3A	015T1507-371		STRUCTURE ASSY-OUTBD SLAT NO. 3 WING LE (LH) (POST SB 767-57A0057) (FOR DETAILS SEE FIG. 4)	DP	RF
-3B	015T1507-331		STRUCTURE ASSY-OUTBD SLAT NO. 3 WING LE (LH) (POST SB 767-57A0057) (FOR DETAILS SEE FIG. 4)	DQ	RF

57-43-51

ILLUSTRATED PARTS LIST
01.1 Page 1062C
Mar 01/04

FIG. & ITEM	PART NO.	AIRLINE PART NUMBER	NOMENCLATURE 1234567	EFF CODE	QTY PER ASSY
01- -3C	015T1507-373		STRUCTURE ASSY-OUTBD SLAT NO. 3 WING LE (LH) (POST SB 767-57A0057) (FOR DETAILS SEE FIG. 4)	DR	RF
-3D	015T1507-333		STRUCTURE ASSY-OUTBD SLAT NO. 3 WING LE (LH) (POST SB 767-57A0057) (FOR DETAILS SEE FIG. 4)	DS	RF
-3E	015T1507-375		STRUCTURE ASSY-OUTBD SLAT NO. 3 WING LE (LH) (POST SB 767-57A0057) (FOR DETAILS SEE FIG. 4)	DT	RF
-3F	015T1507-335		STRUCTURE ASSY-OUTBD SLAT NO. 3 WING LE (LH) (POST SB 767-57A0057) (FOR DETAILS SEE FIG. 4)	DU	RF
-3G	015T1507-377		STRUCTURE ASSY-OUTBD SLAT NO. 3 WING LE (LH) (POST SB 767-57A0057) (FOR DETAILS SEE FIG. 4)	DV	RF
-3H	015T1507-337		STRUCTURE ASSY-OUTBD SLAT NO. 3 WING LE (LH) (POST SB 767-57A0057) (FOR DETAILS SEE FIG. 4)	DW	RF
-3J	015T1507-379		STRUCTURE ASSY-OUTBD SLAT NO. 3 WING LE (LH) (POST SB 767-57A0057) (FOR DETAILS SEE FIG. 4)	DX	RF
-3K	015T1507-339		STRUCTURE ASSY-OUTBD SLAT NO. 3 WING LE (LH) (POST SB 767-57A0057) (FOR DETAILS SEE FIG. 4)	DY	RF
-3L	015T1507-381		STRUCTURE ASSY-OUTBD SLAT NO. 3 WING LE (LH) (POST SB 767-57A0057) (FOR DETAILS SEE FIG. 4)	DZ	RF
-3M	015T1507-341		STRUCTURE ASSY-OUTBD SLAT NO. 3 WING LE (LH) (POST SB 767-57A0057) (FOR DETAILS SEE FIG. 4)	EA	RF
-3N	015T1507-383		STRUCTURE ASSY-OUTBD SLAT NO. 3 WING LE (LH) (POST SB 767-57A0057) (FOR DETAILS SEE FIG. 4)	EB	RF
-3P	114T4103-57SP		DELETED		

57-43-51

 ILLUSTRATED PARTS LIST
 01.1 Page 1062D
 Mar 01/04

FIG. & ITEM	PART NO.	AIRLINE PART NUMBER	NOMENCLATURE 1234567	EFF CODE	QTY PER ASSY
01-					
-3Q	114T4103-59SP		DELETED		
-3R	114T4103-401SP		DELETED		
-3S	114T4103-403G		STRUCTURE ASSY-OUTBD SLAT NO. 3 WING LE (LH) (FOR DETAILS SEE FIG. 4)	FJ	RF
-3T	114T4103-405G		STRUCTURE ASSY-OUTBD SLAT NO. 3 WING LE (LH) (FOR DETAILS SEE FIG. 4)	FL	RF
-3U	114T4103-407G		STRUCTURE ASSY-OUTBD SLAT NO. 3 WING LE (LH) (FOR DETAILS SEE FIG. 4)	FM	RF
-3V	114T4103-409G		STRUCTURE ASSY-OUTBD SLAT NO. 3 WING LE (LH) (FOR DETAILS SEE FIG. 4)	FQ	RF
-3W	114T4103-411G		STRUCTURE ASSY-OUTBD SLAT NO. 3 WING LE (LH) (FOR DETAILS SEE FIG. 4)	FR	RF
R -3X	114T4103-57G		STRUCTURE ASSY-OUTBD SLAT NO. 3 WING LE (LH) (FOR DETAILS SEE FIG. 4)	FC	RF
R -3Y	114T4103-59G		STRUCTURE ASSY-OUTBD SLAT NO. 3 WING LE (LH) (FOR DETAILS SEE FIG. 4)	FD	RF
R -3Z	114T4103-401G		STRUCTURE ASSY-OUTBD SLAT NO. 3 WING LE (LH) (FOR DETAILS SEE FIG. 4)	FG	RF
-5	114T4103-14SP		STRUCTURE ASSY-OUTBD SLAT NO. 10 WING LE (RH) (REWORK DWG 114T4183-2) (PRE SB 767-32-0107) (PRE SB 767-32-0095) (PRE SB 767-57A0057) (FOR DETAILS SEE FIG. 2)	M	RF
-5A	114T4103-22SP		STRUCTURE ASSY-OUTBD SLAT NO. 10 WING LE (RH) (REWORK DWG 114T4183-2) (PRE SB 767-32-0095) (PRE SB 767-57A0057) (FOR DETAILS SEE FIG. 3)	N	RF

57-43-51

FIG. & ITEM	PART NO.	AIRLINE PART NUMBER	NOMENCLATURE 1234567	EFF CODE	QTY PER ASSY
01- -5B	114T4103-24		STRUCTURE ASSY-OUTBD SLAT NO. 10 WING LE (VARIABLE) (RH) (REWORK DWG 114T4183-2) (PRE SB 767-57A0057) (FOR DETAILS SEE FIG. 3)	P	RF
-5C	114T4103-26SP		STRUCTURE ASSY-OUTBD SLAT NO. 10 WING LE (RH) (PRE SB 767-57A0057) (FOR DETAILS SEE FIG. 3)	Q	RF
-5D	114T4103-28		STRUCTURE ASSY-OUTBD SLAT NO. 10 WING LE (VARIABLE) (RH) (PRE SB 767-57A0057) (FOR DETAILS SEE FIG. 4)	R	RF
-5F	114T4103-30		STRUCTURE ASSY-OUTBD SLAT NO. 10 WING LE (VARIABLE) (RH) (PRE SB 767-57A0057) (FOR DETAILS SEE FIG. 4)	S	RF
-5G	114T4103-32		DELETED		
-5H	114T4103-32SP		STRUCTURE ASSY-OUTBD SLAT NO. 10 WING LE (RH) (POST SB 767-32-0107) (PRE SB 767-57A0057) (FOR DETAILS SEE FIG. 4)	T	RF
-5J	114T4103-38SP		STRUCTURE ASSY-OUTBD SLAT NO. 10 WING LE (RH) (POST SB 767-32-0107) (PRE SB 767-57A0057) (FOR DETAILS SEE FIG. 4)	U	RF
-5K	114T4103-40		STRUCTURE ASSY-OUTBD SLAT NO. 3 WING LE (VARIABLE) (RH) (PRE SB 767-57A0057) (FOR DETAILS SEE FIG. 4)	V	RF
-5L	114T4103-42		STRUCTURE ASSY-OUTBD SLAT NO. 10 WING LE (RH) (PRE SB 767-57A0057) (FOR DETAILS SEE FIG. 4)	W	RF
-5M	114T4103-44		DELETED		

57-43-51

 ILLUSTRATED PARTS LIST
 01.1 Page 1062F
 Mar 01/04

FIG. & ITEM	PART NO.	AIRLINE PART NUMBER	NOMENCLATURE 1234567	EFF CODE	QTY PER ASSY
01- -5N	114T4103-46		STRUCTURE ASSY-OUTBD SLAT NO. 3 WING LE (VARIABLE) (RH) (PRE SB 767-57A0057) (FOR DETAILS SEE FIG. 4)	AA	RF
-5P	114T4103-48		STRUCTURE ASSY-OUTBD SLAT NO. 3 WING LE (VARIABLE) (RH) (PRE SB 767-57A0057) (FOR DETAILS SEE FIG. 4)	AB	RF
-5Q	015T0165-8		SLAT ASSY-NO. 3 AND NO. 10 WING LE TOP KIT (RH) (POST SB 767-32-0095) (PRE SB 767-57A0057) (FOR DETAILS SEE FIG. 3)	AD	RF
-5R	114T4103-50		STRUCTURE ASSY-OUTBD SLAT NO. 10 WING LE (RH) (PRE SB 767-57A0057) (FOR DETAILS SEE FIG. 4)	AF	RF
-5S	114T4103-52		STRUCTURE ASSY-OUTBD SLAT NO. 3 WING LE (VARIABLE) (RH) (PRE SB 767-57A0057) (FOR DETAILS SEE FIG. 4)	AH	RF
-5T	114T4103-54		STRUCTURE ASSY-OUTBD SLAT NO. 10 WING LE (RH) (FOR DETAILS SEE FIG. 4)	X	RF
-5U -5V	114T4103-56 015T1507-302		DELETED STRUCTURE ASSY-OUTBD SLAT NO. 10 WING LE (RH) (POST SB 767-57A0057) (FOR DETAILS SEE FIG. 2)	AS	RF
-5W	015T1507-304		STRUCTURE ASSY-OUTBD SLAT NO. 10 WING LE (RH) (POST SB 767-57A0057) (FOR DETAILS SEE FIG. 2)	AT	RF
-5X	015T1507-306		STRUCTURE ASSY-OUTBD SLAT NO. 10 WING LE (RH) (POST SB 767-57A0057) (FOR DETAILS SEE FIG. 2)	AU	RF
-5Y	015T1507-344		STRUCTURE ASSY-OUTBD SLAT NO. 10 WING LE (RH) (POST SB 767-57A0057) (FOR DETAILS SEE FIG. 2)	AV	RF

57-43-51

FIG. & ITEM	PART NO.	AIRLINE PART NUMBER	NOMENCLATURE 1234567	EFF CODE	QTY PER ASSY
01-5Z	015T1507-346		STRUCTURE ASSY-OUTBD SLAT NO. 10 WING LE (RH) (POST SB 767-57A0057) (FOR DETAILS SEE FIG. 2)	AW	RF
-6	015T1507-348		STRUCTURE ASSY-OUTBD SLAT NO. 10 WING LE (RH) (POST SB 767-57A0057) (FOR DETAILS SEE FIG. 2)	AX	RF
-6A	015T1507-308		STRUCTURE ASSY-OUTBD SLAT NO. 10 WING LE (RH) (POST SB 767-57A0057) (FOR DETAILS SEE FIG. 3)	BN	RF
-6B	015T1507-310		STRUCTURE ASSY-OUTBD SLAT NO. 10 WING LE (RH) (POST SB 767-57A0057) (FOR DETAILS SEE FIG. 3)	BP	RF
-6C	015T1507-312		STRUCTURE ASSY-OUTBD SLAT NO. 10 WING LE (RH) (POST SB 767-57A0057) (FOR DETAILS SEE FIG. 3)	BQ	RF
-6D	015T1507-350		STRUCTURE ASSY-OUTBD SLAT NO. 10 WING LE (RH) (POST SB 767-57A0057) (FOR DETAILS SEE FIG. 3)	BR	RF
-6E	015T1507-352		STRUCTURE ASSY-OUTBD SLAT NO. 10 WING LE (RH) (POST SB 767-57A0057) (FOR DETAILS SEE FIG. 3)	BS	RF
-6F	015T1507-354		STRUCTURE ASSY-OUTBD SLAT NO. 10 WING LE (RH) (POST SB 767-57A0057) (FOR DETAILS SEE FIG. 3)	BT	RF
-6G	015T1507-314		STRUCTURE ASSY-OUTBD SLAT NO. 10 WING LE (RH) (POST SB 767-57A0057) (FOR DETAILS SEE FIG. 3)	BU	RF
-6H	015T1507-356		STRUCTURE ASSY-OUTBD SLAT NO. 10 WING LE (RH) (POST SB 767-57A0057) (FOR DETAILS SEE FIG. 3)	BV	RF
-6J	015T1507-316		STRUCTURE ASSY-OUTBD SLAT NO. 10 WING LE (RH) (POST SB 767-57A0057) (FOR DETAILS SEE FIG. 3)	BW	RF

57-43-51

 ILLUSTRATED PARTS LIST
 01.1 Page 1062H
 Mar 01/04

FIG. & ITEM	PART NO.	AIRLINE PART NUMBER	NOMENCLATURE 1234567	EFF CODE	QTY PER ASSY
01- -6K	015T1507-318		STRUCTURE ASSY-OUTBD SLAT NO. 10 WING LE (RH) (POST SB 767-57A0057) (FOR DETAILS SEE FIG. 3)	BX	RF
-6L	015T1507-358		STRUCTURE ASSY-OUTBD SLAT NO. 10 WING LE (RH) (POST SB 767-57A0057) (FOR DETAILS SEE FIG. 3)	BY	RF
-6M	015T1507-360		STRUCTURE ASSY-OUTBD SLAT NO. 10 WING LE (RH) (POST SB 767-57A0057) (FOR DETAILS SEE FIG. 3)	BZ	RF
-6N	015T1507-386		STRUCTURE ASSY-OUTBD SLAT NO. 10 WING LE (RH) (POST SB 767-57A0057) (FOR DETAILS SEE FIG. 3)	DA	RF
-6P	015T1507-388		STRUCTURE ASSY-OUTBD SLAT NO. 10 WING LE (RH) (POST SB 767-57A0057) (FOR DETAILS SEE FIG. 3)	DB	RF
-6Q	015T1507-320		STRUCTURE ASSY-OUTBD SLAT NO. 10 WING LE (RH) (POST SB 767-57A0057) (FOR DETAILS SEE FIG. 4)	EC	RF
-6R	015T1507-362		STRUCTURE ASSY-OUTBD SLAT NO. 10 WING LE (RH) (POST SB 767-57A0057) (FOR DETAILS SEE FIG. 4)	ED	RF
-6S	015T1507-322		STRUCTURE ASSY-OUTBD SLAT NO. 10 WING LE (RH) (POST SB 767-57A0057) (FOR DETAILS SEE FIG. 4)	EE	RF
-6T	015T1507-364		STRUCTURE ASSY-OUTBD SLAT NO. 10 WING LE (RH) (POST SB 767-57A0057) (FOR DETAILS SEE FIG. 4)	EF	RF
-6U	015T1507-324		STRUCTURE ASSY-OUTBD SLAT NO. 10 WING LE (RH) (POST SB 767-57A0057) (FOR DETAILS SEE FIG. 4)	EG	RF
-6V	015T1507-366		STRUCTURE ASSY-OUTBD SLAT NO. 10 WING LE (RH) (POST SB 767-57A0057) (FOR DETAILS SEE FIG. 4)	EH	RF

57-43-51

ILLUSTRATED PARTS LIST
01.1 Page 1062I
Mar 01/04

FIG. & ITEM	PART NO.	AIRLINE PART NUMBER	NOMENCLATURE 1234567	EFF CODE	QTY PER ASSY
01- -6W	015T1507-326		STRUCTURE ASSY-OUTBD SLAT NO. 10 WING LE (RH) (POST SB 767-57A0057) (FOR DETAILS SEE FIG. 4)	EJ	RF
-6X	015T1507-328		STRUCTURE ASSY-OUTBD SLAT NO. 10 WING LE (RH) (POST SB 767-57A0057) (FOR DETAILS SEE FIG. 4)	EK	RF
-6Y	015T1507-330		STRUCTURE ASSY-OUTBD SLAT NO. 10 WING LE (RH) (POST SB 767-57A0057) (FOR DETAILS SEE FIG. 4)	EL	RF
-6Z	015T1507-368		STRUCTURE ASSY-OUTBD SLAT NO. 10 WING LE (RH) (POST SB 767-57A0057) (FOR DETAILS SEE FIG. 4)	EM	RF
-7	015T1507-370		STRUCTURE ASSY-OUTBD SLAT NO. 10 WING LE (RH) (POST SB 767-57A0057) (FOR DETAILS SEE FIG. 4)	EN	RF
-7A	015T1507-372		STRUCTURE ASSY-OUTBD SLAT NO. 10 WING LE (RH) (POST SB 767-57A0057) (FOR DETAILS SEE FIG. 4)	EP	RF
-7B	015T1507-332		STRUCTURE ASSY-OUTBD SLAT NO. 10 WING LE (RH) (POST SB 767-57A0057) (FOR DETAILS SEE FIG. 4)	EQ	RF
-7C	015T1507-374		STRUCTURE ASSY-OUTBD SLAT NO. 10 WING LE (RH) (POST SB 767-57A0057) (FOR DETAILS SEE FIG. 4)	ER	RF
-7D	015T1507-334		STRUCTURE ASSY-OUTBD SLAT NO. 10 WING LE (RH) (POST SB 767-57A0057) (FOR DETAILS SEE FIG. 4)	ES	RF
-7E	015T1507-376		STRUCTURE ASSY-OUTBD SLAT NO. 10 WING LE (RH) (POST SB 767-57A0057) (FOR DETAILS SEE FIG. 4)	ET	RF
-7F	015T1507-336		STRUCTURE ASSY-OUTBD SLAT NO. 10 WING LE (RH) (POST SB 767-57A0057) (FOR DETAILS SEE FIG. 4)	EU	RF

57-43-51

 ILLUSTRATED PARTS LIST
 01.1 Page 1062J
 Mar 01/04

FIG. & ITEM	PART NO.	AIRLINE PART NUMBER	NOMENCLATURE 1234567	EFF CODE	QTY PER ASSY
01- -7G	015T1507-378		STRUCTURE ASSY-OUTBD SLAT NO. 10 WING LE (RH) (POST SB 767-57A0057) (FOR DETAILS SEE FIG. 4)	EV	RF
-7H	015T1507-338		STRUCTURE ASSY-OUTBD SLAT NO. 10 WING LE (RH) (POST SB 767-57A0057) (FOR DETAILS SEE FIG. 4)	EW	RF
-7J	015T1507-380		STRUCTURE ASSY-OUTBD SLAT NO. 10 WING LE (RH) (POST SB 767-57A0057) (FOR DETAILS SEE FIG. 4)	EX	RF
-7K	015T1507-340		STRUCTURE ASSY-OUTBD SLAT NO. 10 WING LE (RH) (POST SB 767-57A0057) (FOR DETAILS SEE FIG. 4)	EY	RF
-7L	015T1507-382		STRUCTURE ASSY-OUTBD SLAT NO. 10 WING LE (RH) (POST SB 767-57A0057) (FOR DETAILS SEE FIG. 4)	EZ	RF
-7M	015T1507-342		STRUCTURE ASSY-OUTBD SLAT NO. 10 WING LE (RH) (POST SB 767-57A0057) (FOR DETAILS SEE FIG. 4)	FA	RF
-7N	015T1507-384		STRUCTURE ASSY-OUTBD SLAT NO. 10 WING LE (RH) (POST SB 767-57A0057) (FOR DETAILS SEE FIG. 4)	FB	RF
-7P	114T4103-58SP		DELETED		
-7Q	114T4103-60SP		DELETED		
-7R	114T4103-402SP		DELETED		
-7S	114T4103-404G		STRUCTURE ASSY-OUTBD SLAT NO. 10 WING LE (RH) (FOR DETAILS SEE FIG. 4)	FK	RF
-7T	114T4103-406G		STRUCTURE ASSY-OUTBD SLAT NO. 10 WING LE (RH) (FOR DETAILS SEE FIG. 4)	FN	RF
-7U	114T4103-408G		STRUCTURE ASSY-OUTBD SLAT NO. 10 WING LE (RH) (FOR DETAILS SEE FIG. 4)	FP	RF
-7V	114T4103-410G		STRUCTURE ASSY-OUTBD SLAT NO. 10 WING LE (RH) (FOR DETAILS SEE FIG. 4)	FS	RF

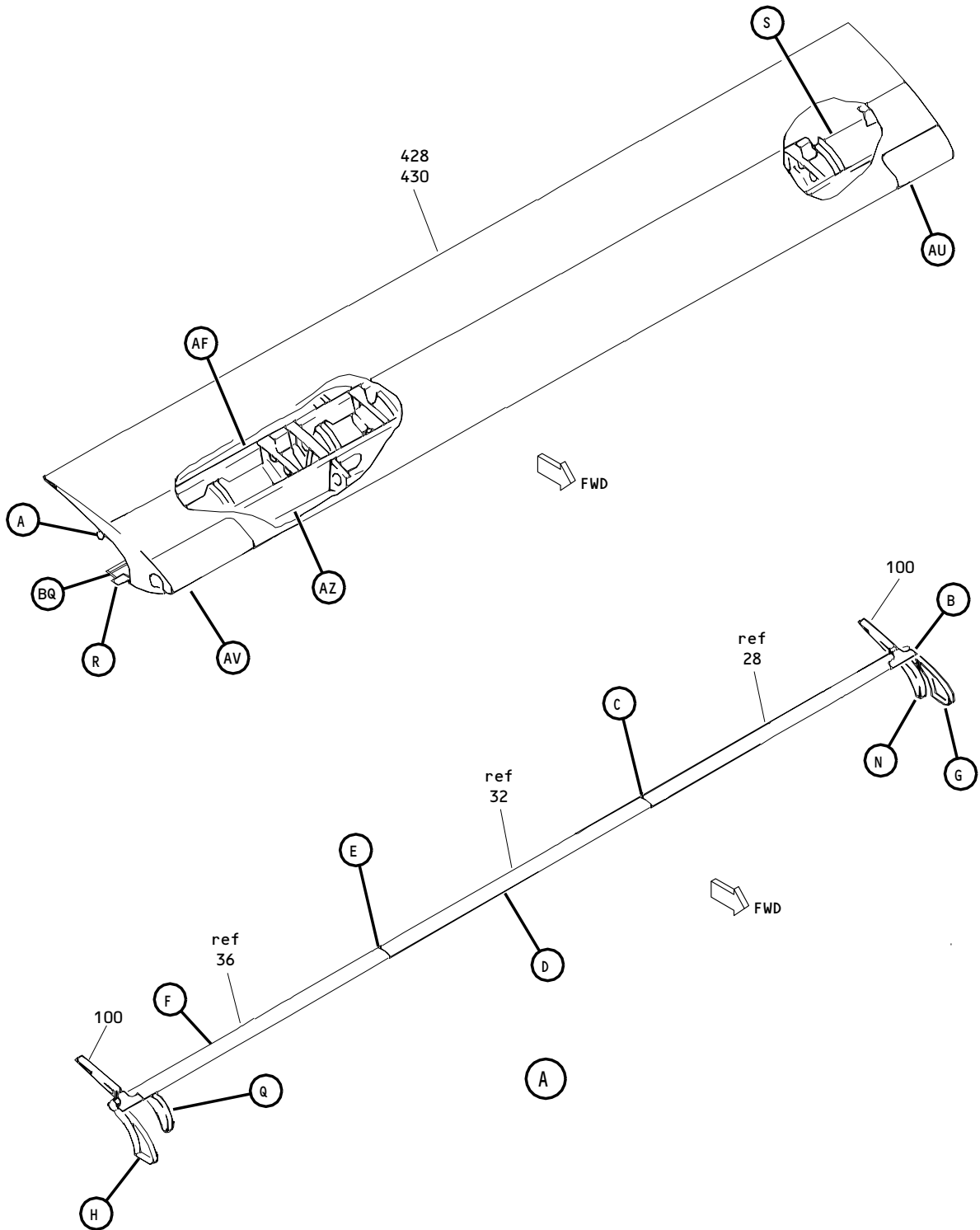
57-43-51

FIG. & ITEM	PART NO.	AIRLINE PART NUMBER	NOMENCLATURE 1234567	EFF CODE	QTY PER ASSY
01- -7W	114T4103-412G		STRUCTURE ASSY-OUTBD SLAT NO. 10 WING LE (RH) (FOR DETAILS SEE FIG. 4)	FT	RF
R -7X	114T4103-58G		STRUCTURE ASSY-OUTBD SLAT NO. 10 WING LE (RH) (FOR DETAILS SEE FIG. 4)	FE	RF
R -7Y	114T4103-60G		STRUCTURE ASSY-OUTBD SLAT NO. 10 WING LE (RH) (FOR DETAILS SEE FIG. 4)	FF	RF
R -7Z	114T4103-402G		STRUCTURE ASSY-OUTBD SLAT NO. 10 WING LE (RH) (FOR DETAILS SEE FIG. 4)	FH	RF
R					

- Item Not Illustrated

57-43-51

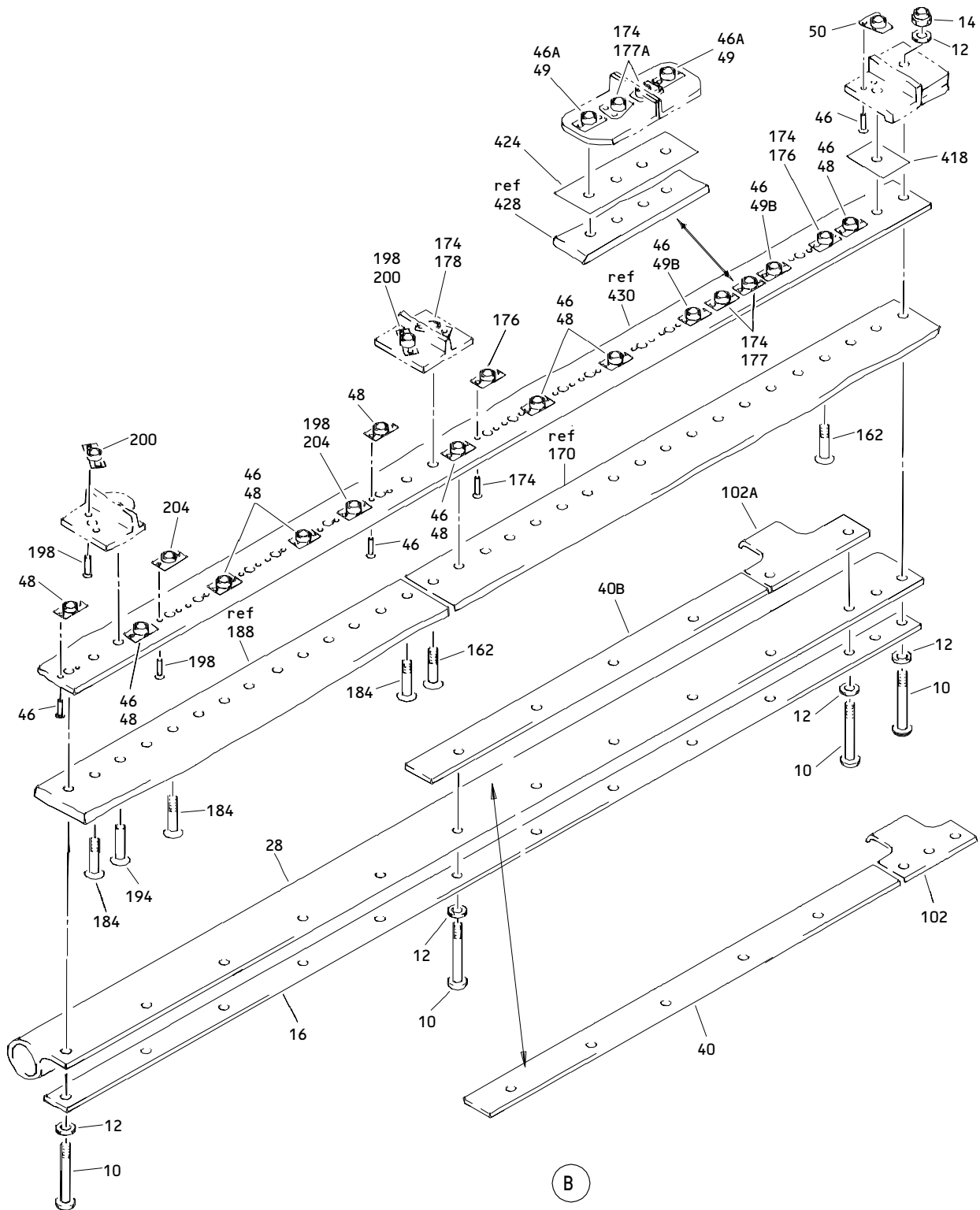
ILLUSTRATED PARTS LIST
 01.1 Page 1062L
 Mar 01/04



Outboard Slat No. 3 Wing Leading Edge Structure Assembly
Figure 2 (Sheet 1)

57-43-51

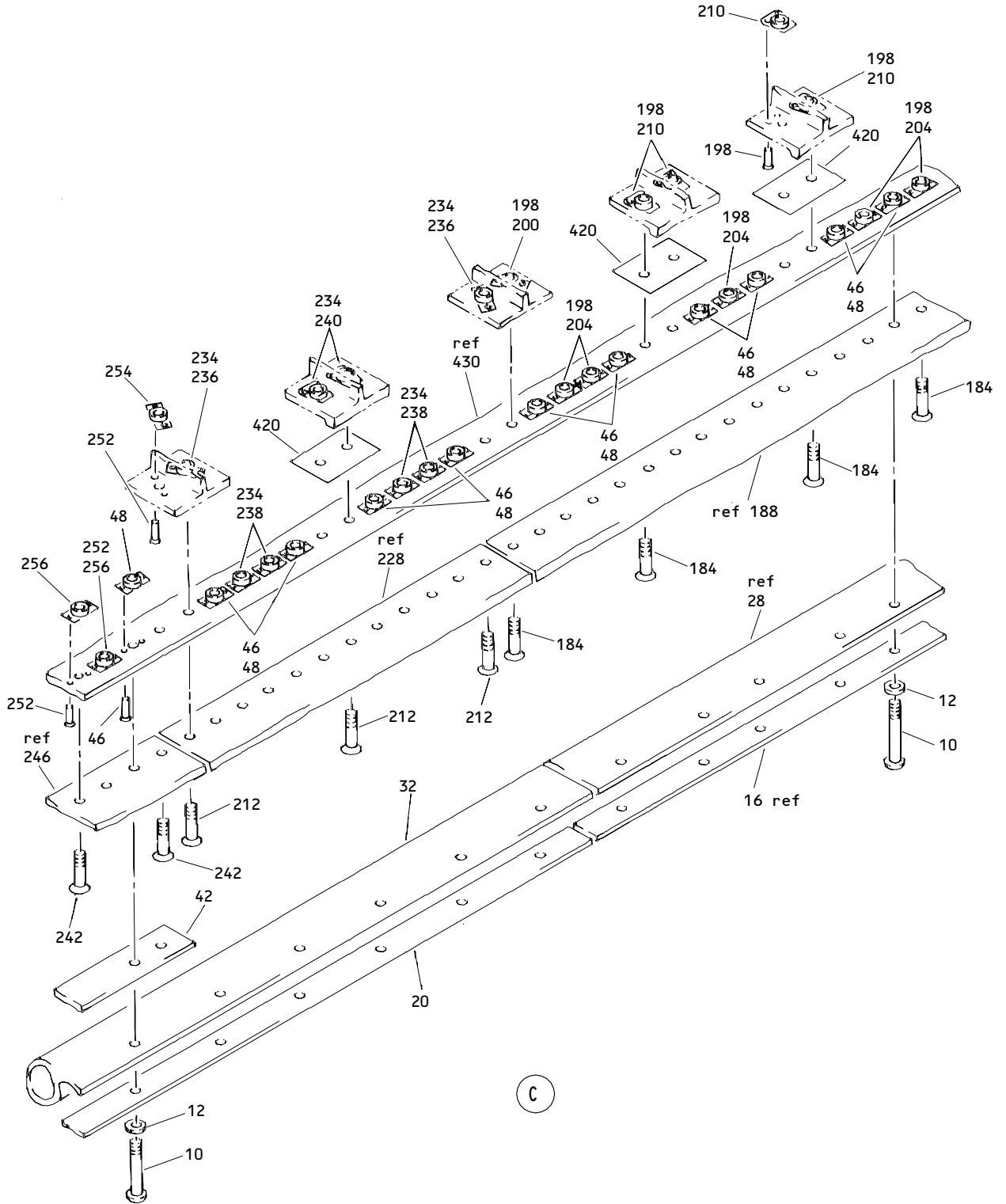
ILLUSTRATED PARTS LIST
01.1 Page 1062M
Mar 01/04



Outboard Slat No. 3 Wing Leading Edge Structure Assembly
 Figure 2 (Sheet 2)

57-43-51

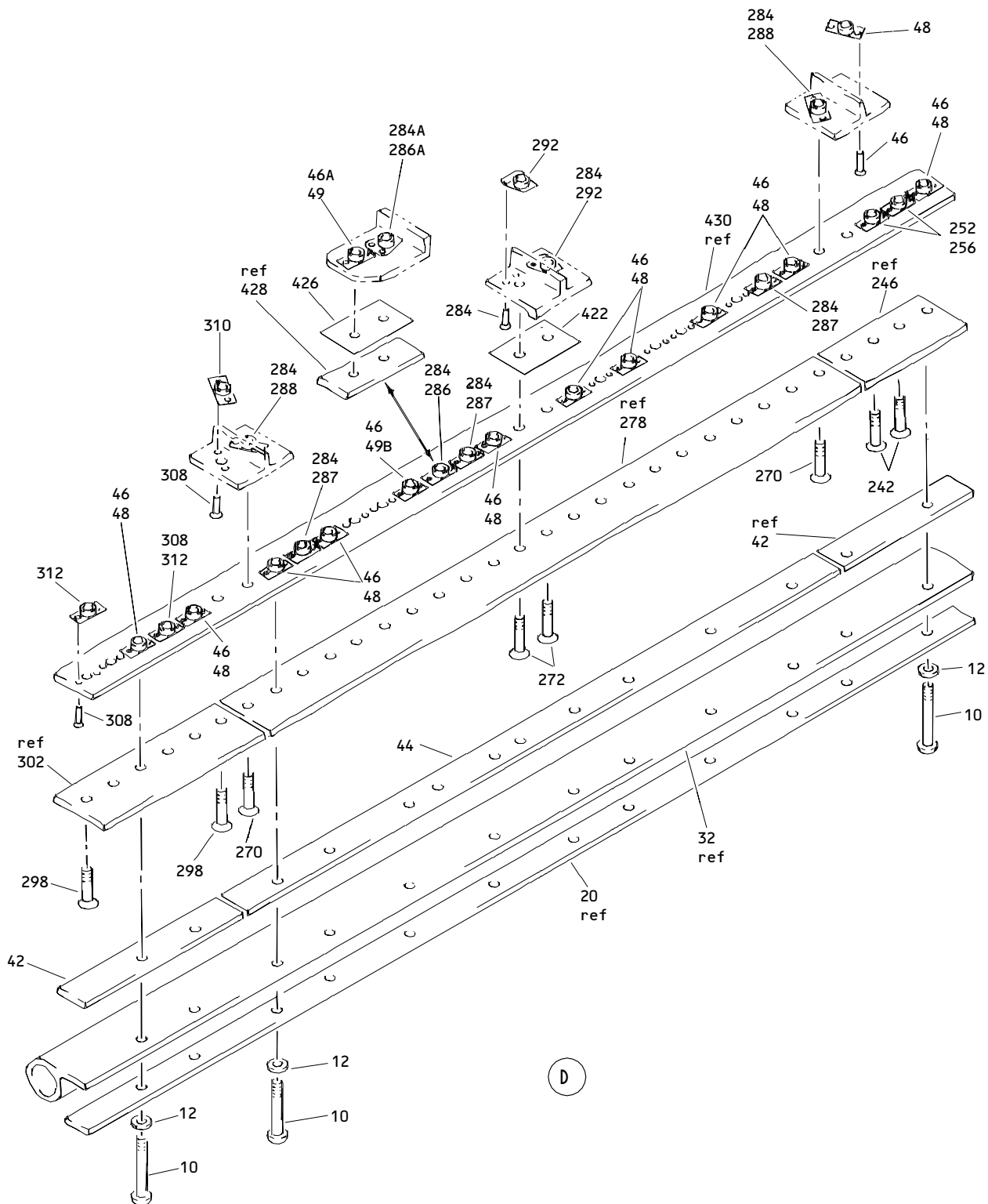
ILLUSTRATED PARTS LIST
 01.1 Page 1062N
 Mar 01/04



Outboard Slat No. 3 Wing Leading Edge Structure Assembly
Figure 2 (Sheet 3)

57-43-51

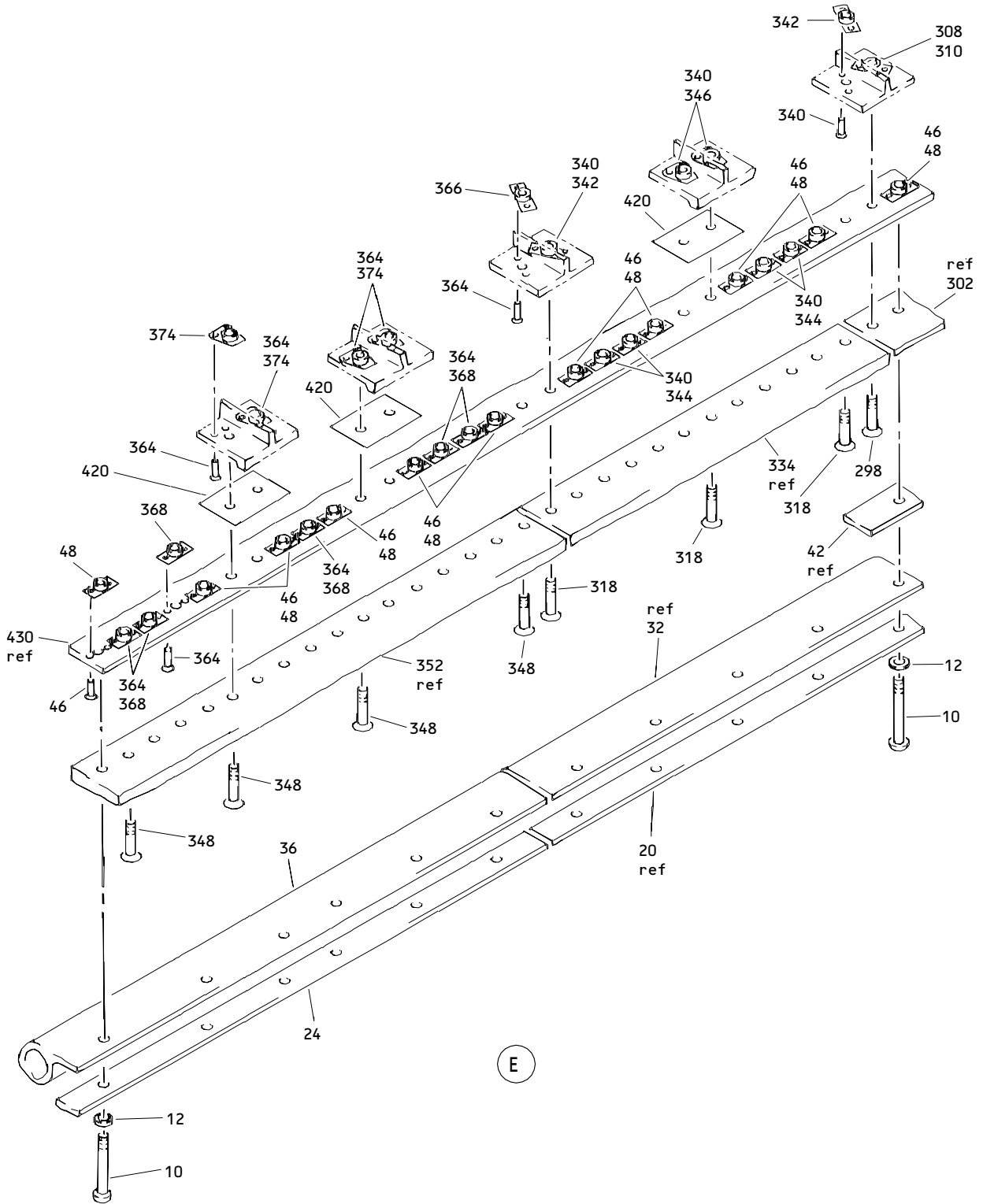
ILLUSTRATED PARTS LIST
01.1 Page 10620
Mar 01/04



Outboard Slat No. 3 Wing Leading Edge Structure Assembly
 Figure 2 (Sheet 4)

57-43-51

ILLUSTRATED PARTS LIST
 01.1 Page 1062P
 Mar 01/04



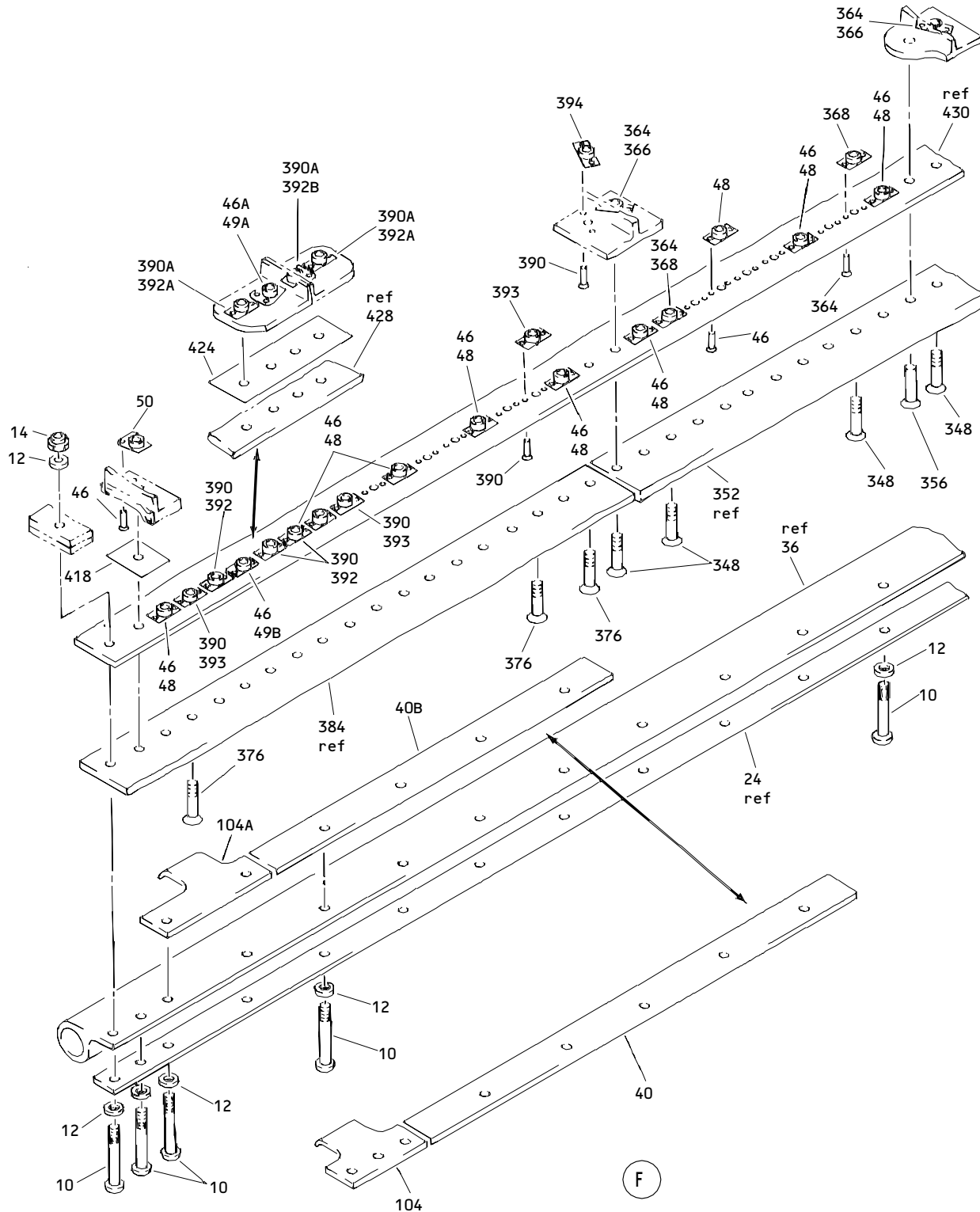
(E)

Outboard Slat No. 3 Wing Leading Edge Structure Assembly
Figure 2 (Sheet 5)

57-43-51

ILLUSTRATED PARTS LIST
01.1 Page 1062Q
Mar 01/04

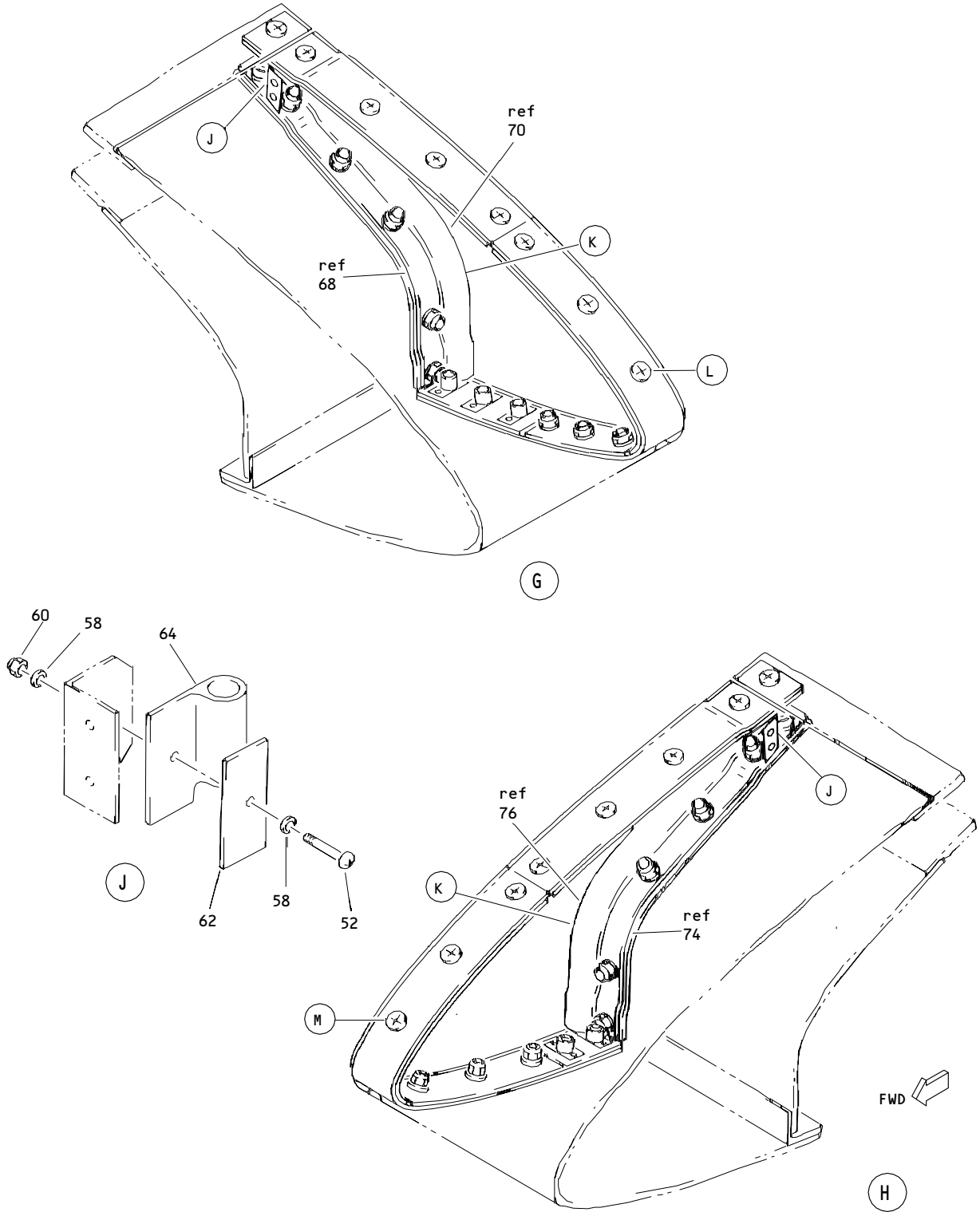
T77904



Outboard Slat No. 3 Wing Leading Edge Structure Assembly
 Figure 2 (Sheet 6)

57-43-51

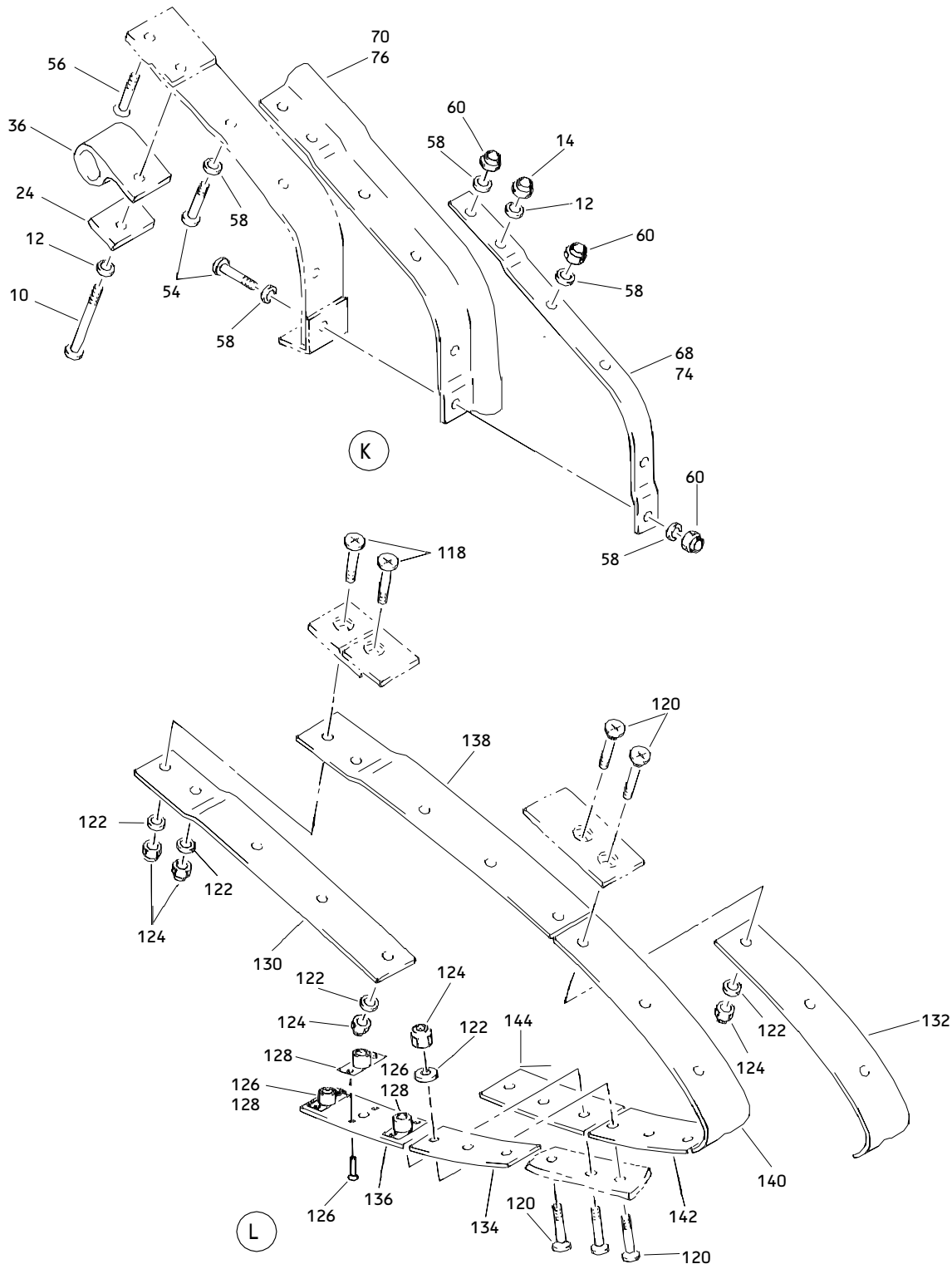
ILLUSTRATED PARTS LIST
 01.1 Page 1062R
 Mar 01/04



Outboard Slat No. 3 Wing Leading Edge Structure Assembly
Figure 2 (Sheet 7)

57-43-51

ILLUSTRATED PARTS LIST
01.1 Page 1062S
Mar 01/04

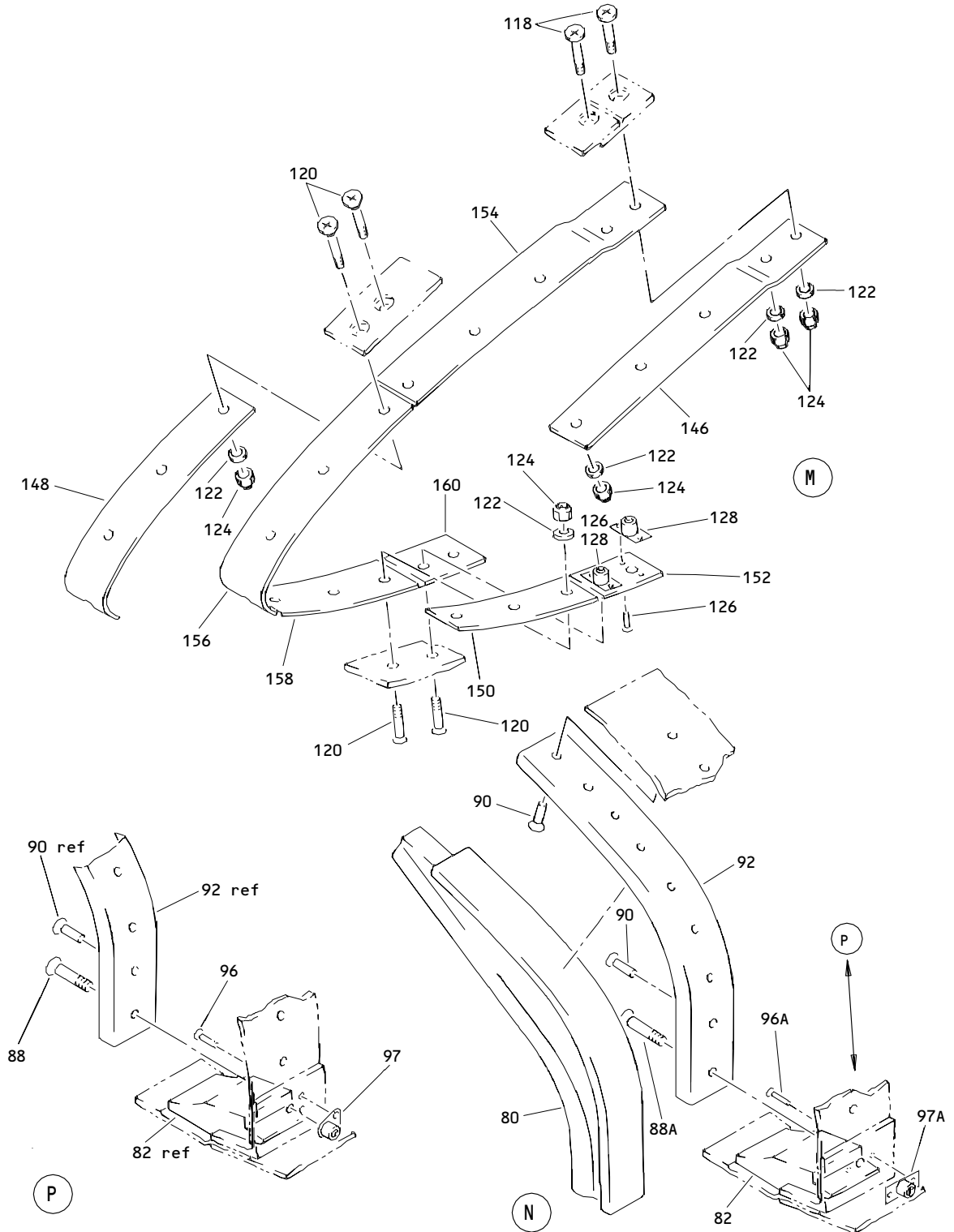


Outboard Slat No. 3 Wing Leading Edge Structure Assembly
 Figure 2 (Sheet 8)

57-43-51

ILLUSTRATED PARTS LIST
 01.1 Page 1062T
 Mar 01/04

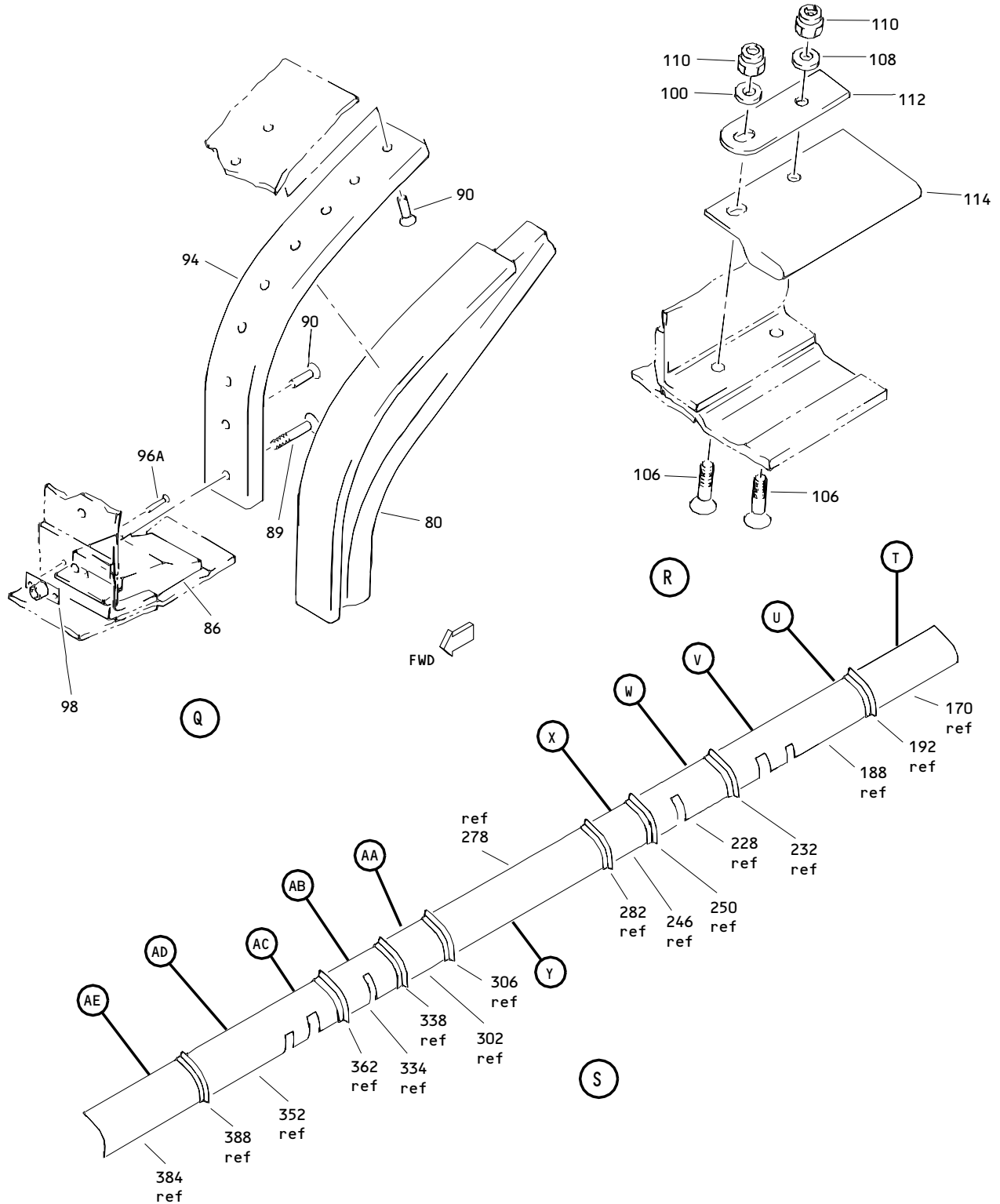
T77907



Outboard Slat No. 3 Wing Leading Edge Structure Assembly
Figure 2 (Sheet 9)

57-43-51

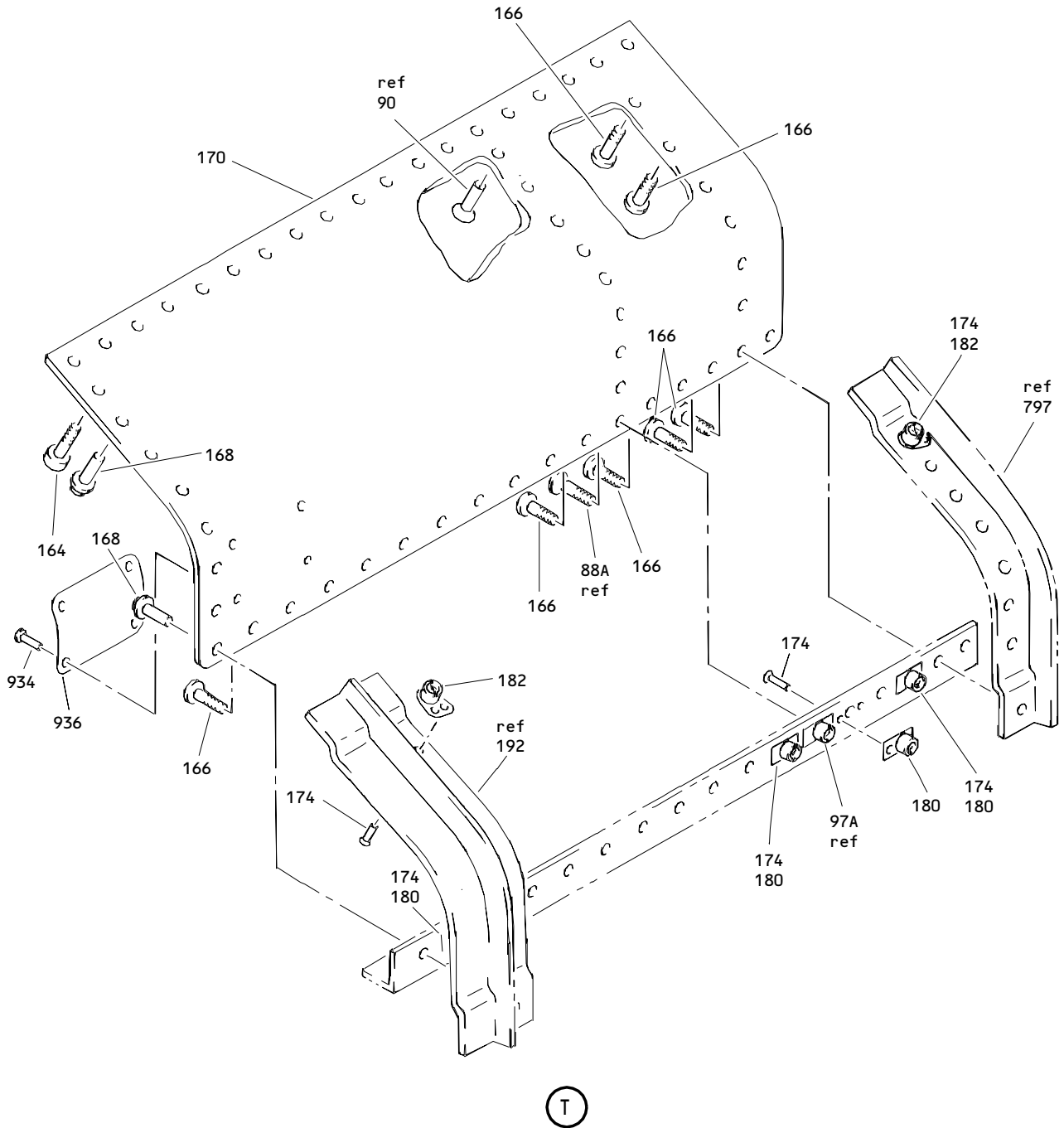
ILLUSTRATED PARTS LIST
01.1 Page 1062U
Mar 01/04



Outboard Slat No. 3 Wing Leading Edge Structure Assembly
 Figure 2 (Sheet 10)

57-43-51

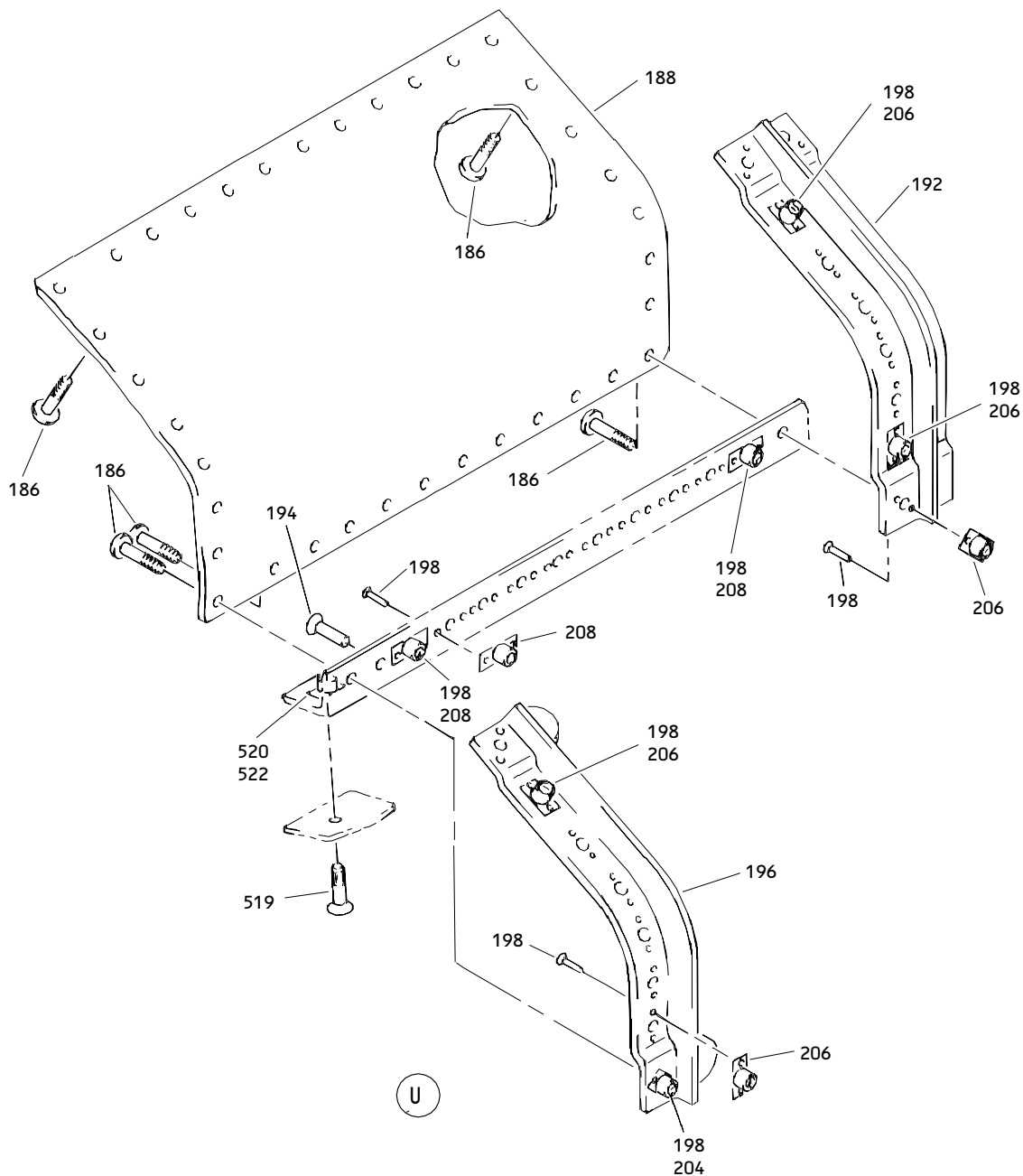
ILLUSTRATED PARTS LIST
 01.1 Page 1062V
 Mar 01/04



Outboard Slat No. 3 Wing Leading Edge Structure Assembly
Figure 2 (Sheet 11)

57-43-51

ILLUSTRATED PARTS LIST
01.1 Page 1062W
Mar 01/04

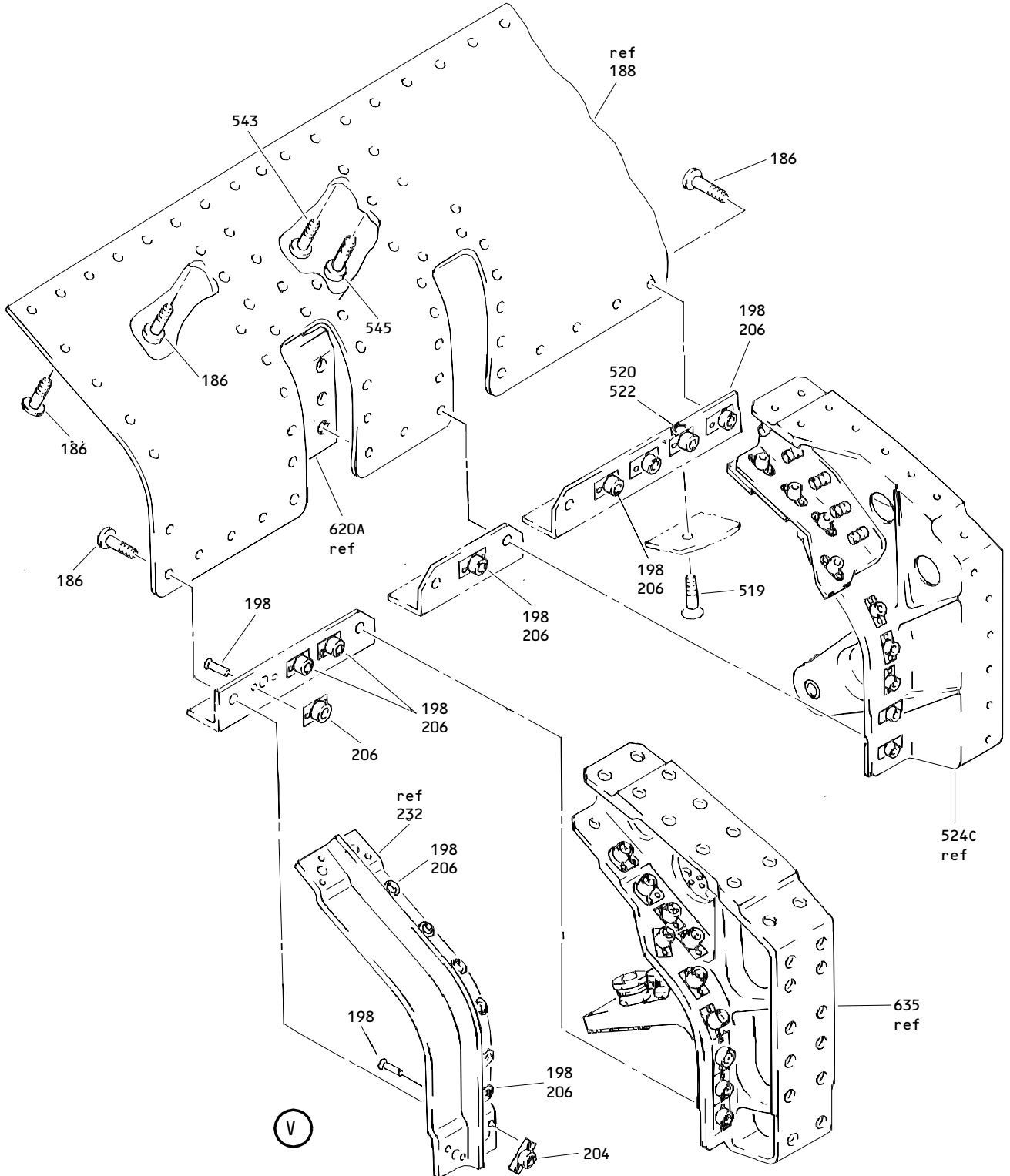


Outboard Slat No. 3 Wing Leading Edge Structure Assembly
 Figure 2 (Sheet 12)

57-43-51

ILLUSTRATED PARTS LIST
 01.1 Page 1062X
 Mar 01/04

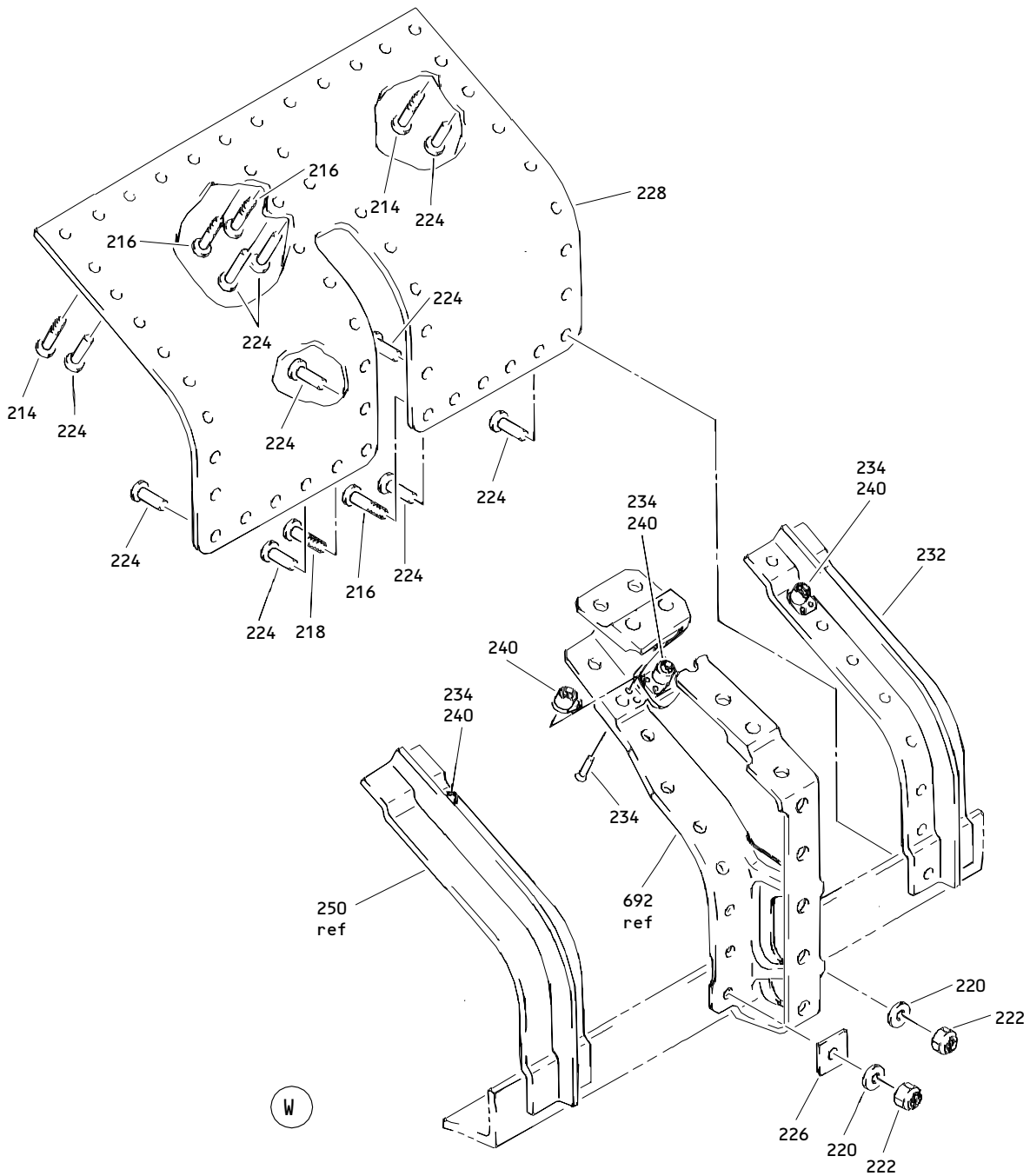
T77911



Outboard Slat No. 3 Wing Leading Edge Structure Assembly
Figure 2 (Sheet 13)

57-43-51

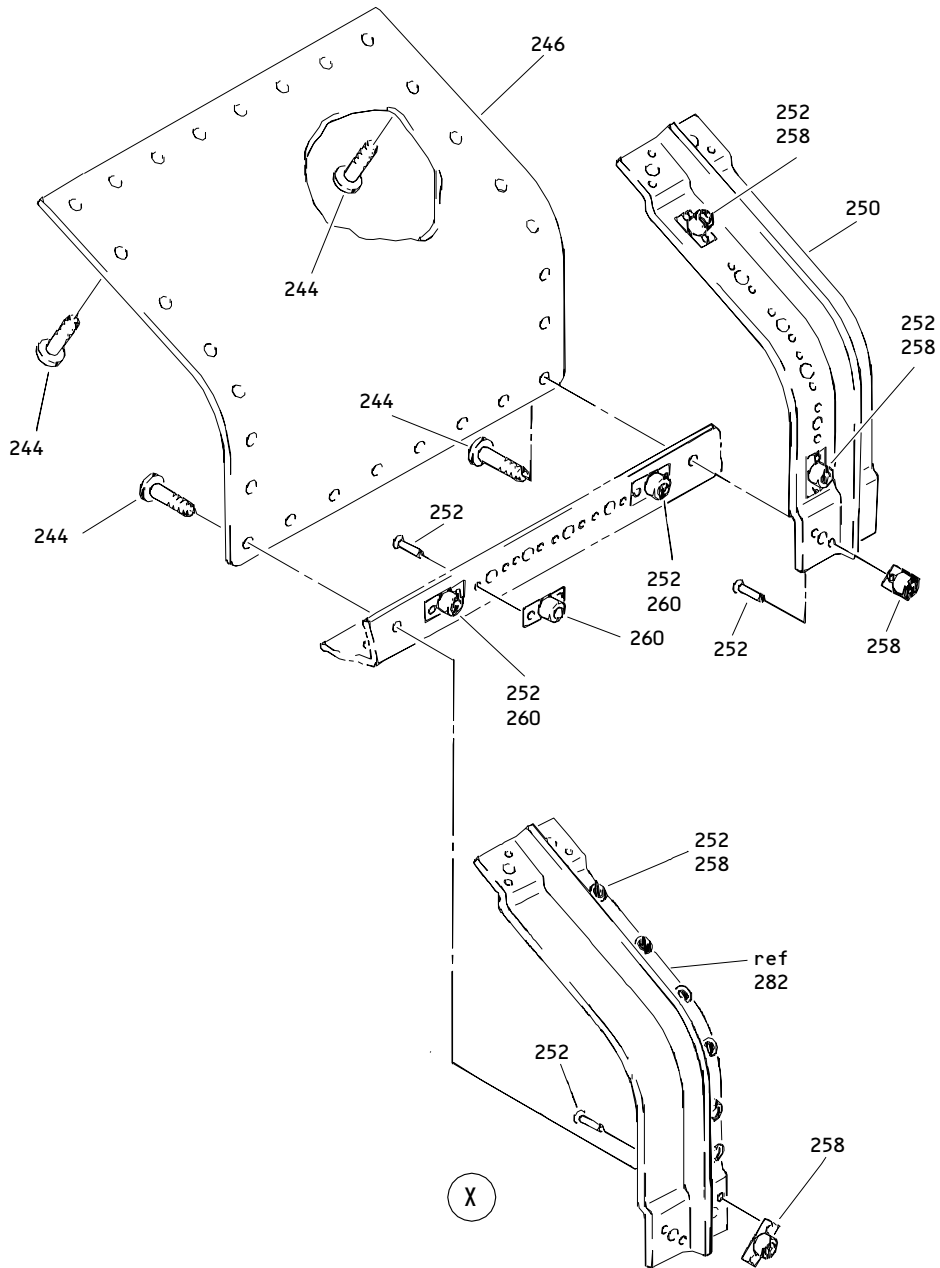
ILLUSTRATED PARTS LIST
01.1 Page 1062Y
Mar 01/04



Outboard Slat No. 3 Wing Leading Edge Structure Assembly
 Figure 2 (Sheet 14)

57-43-51

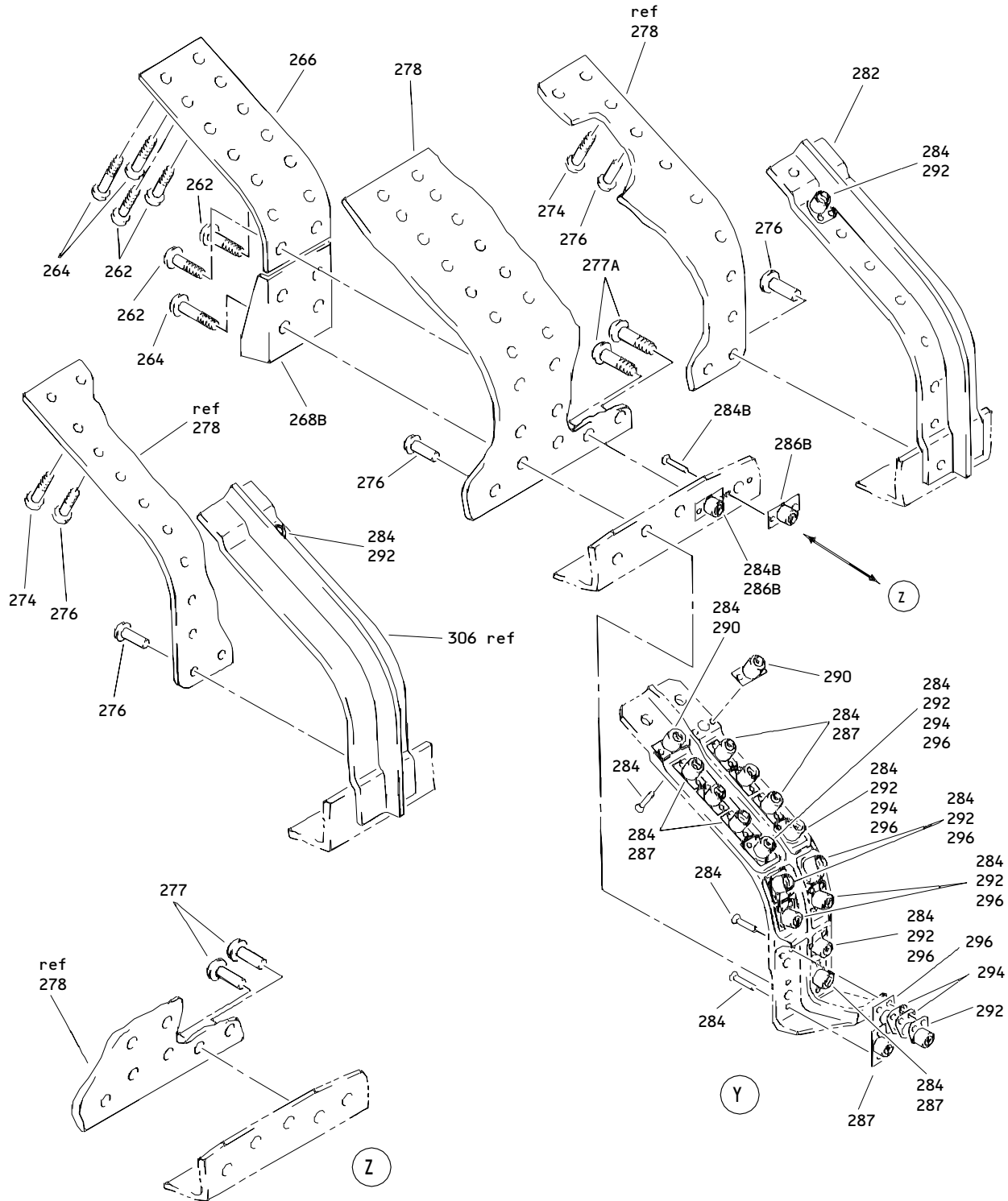
ILLUSTRATED PARTS LIST
 01.1 Page 1062Z
 Mar 01/04



Outboard Slat No. 3 Wing Leading Edge Structure Assembly
Figure 2 (Sheet 15)

57-43-51

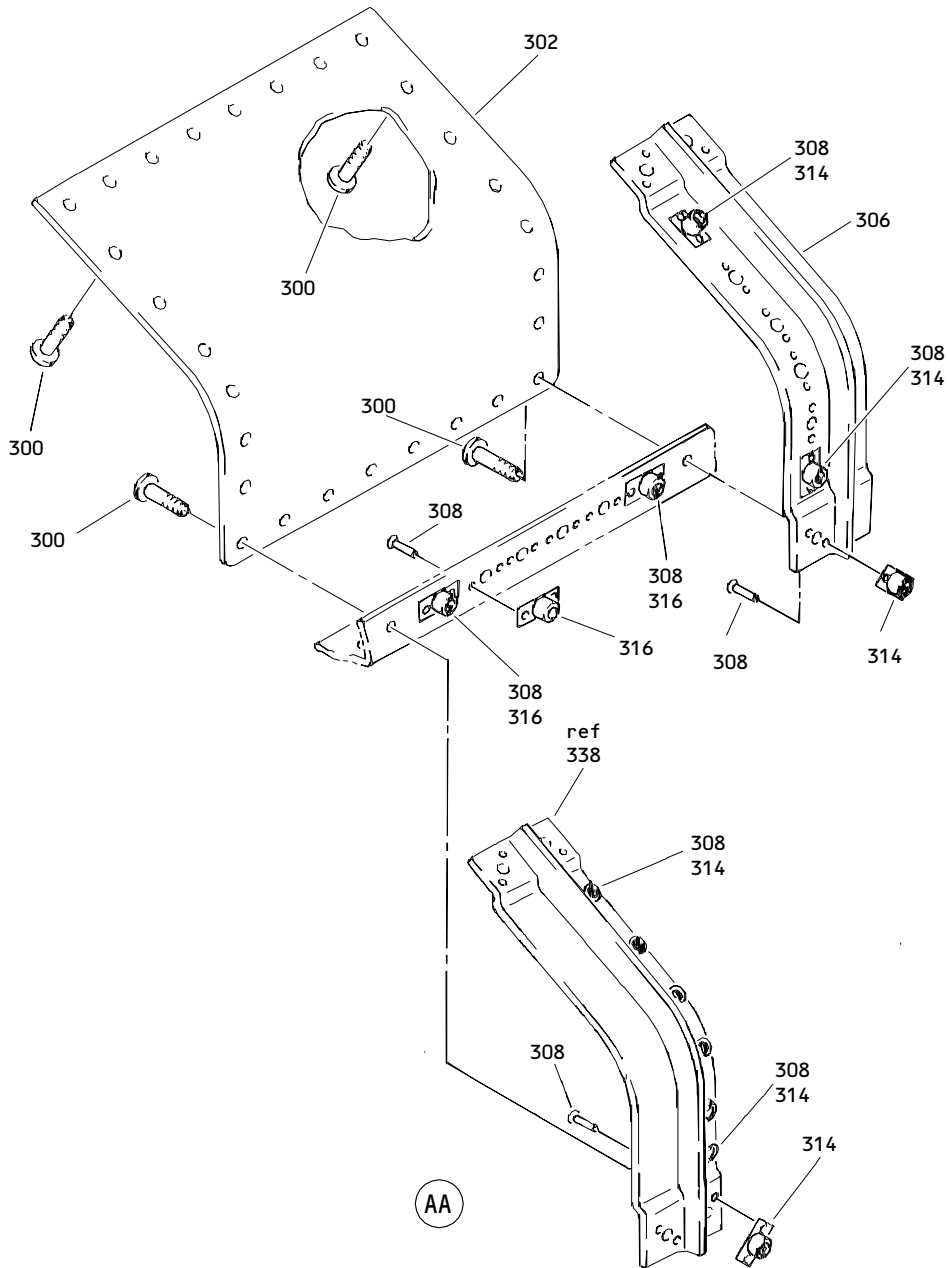
ILLUSTRATED PARTS LIST
01.1 Page 1063
Mar 01/04



Outboard Slat No. 3 Wing Leading Edge Structure Assembly
 Figure 2 (Sheet 16)

57-43-51

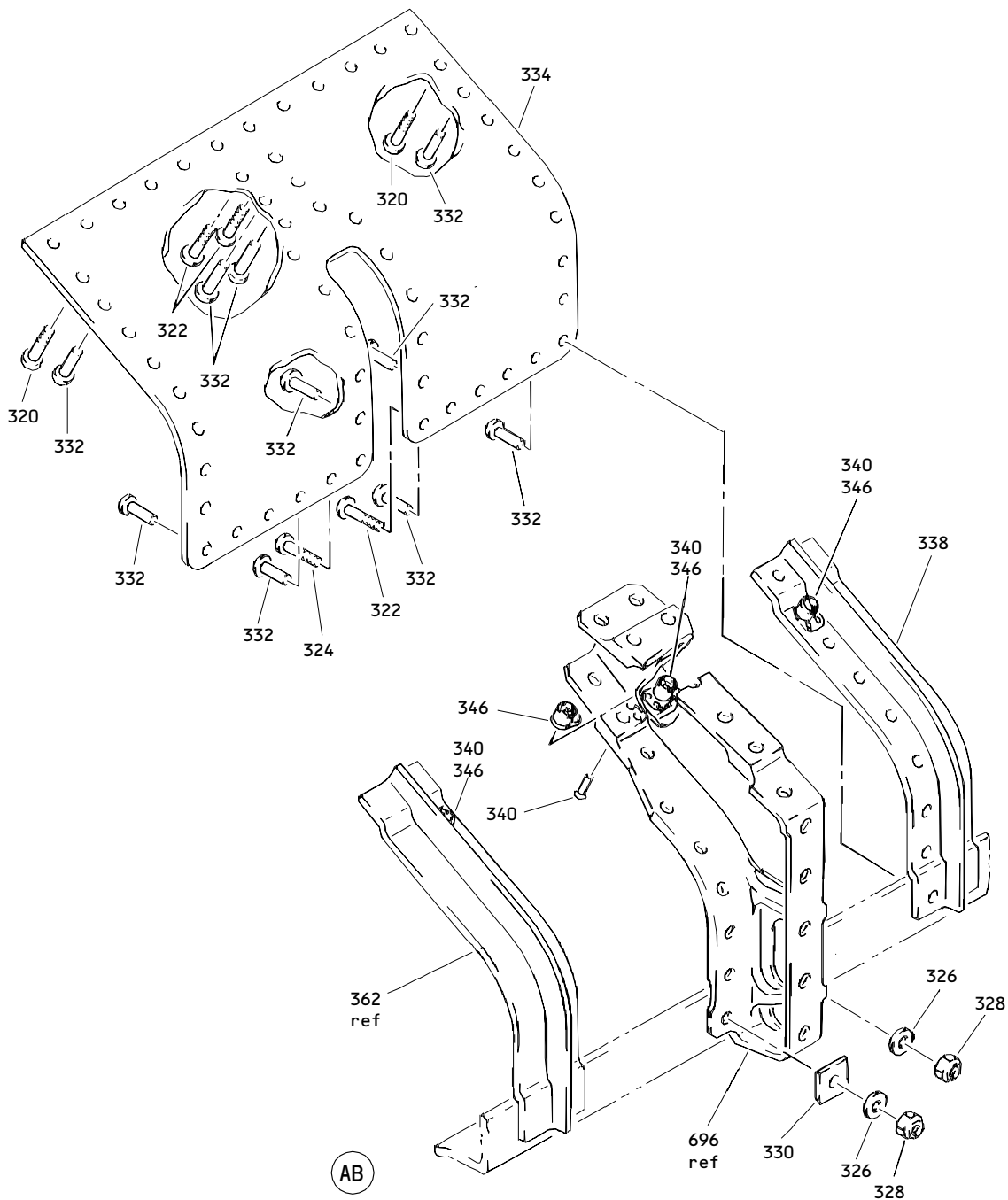
ILLUSTRATED PARTS LIST
 01.1 Page 1064
 Mar 01/04



Outboard Slat No. 3 Wing Leading Edge Structure Assembly
Figure 2 (Sheet 17)

57-43-51

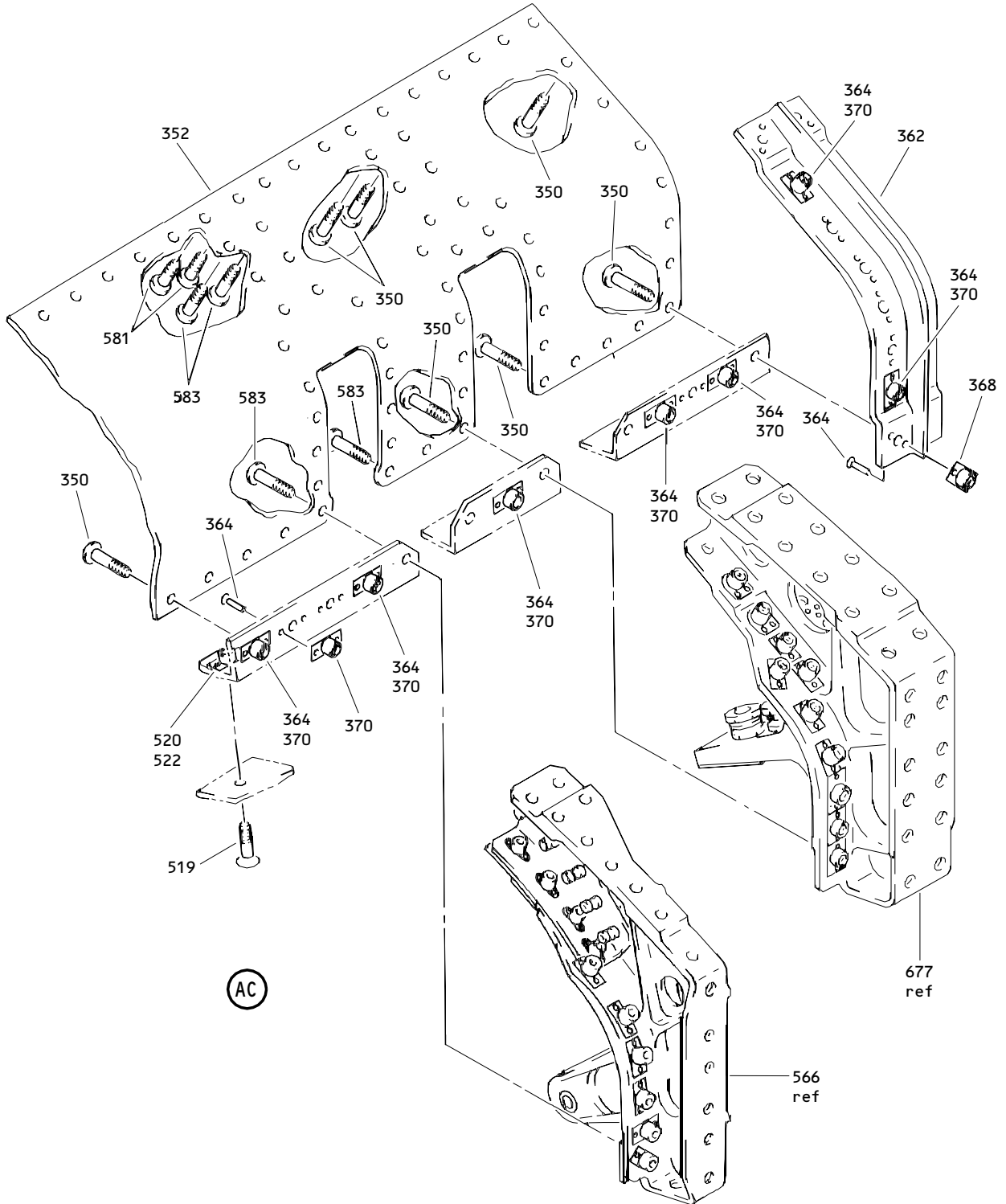
ILLUSTRATED PARTS LIST
01.1 Page 1064A
Mar 01/04



Outboard Slat No. 3 Wing Leading Edge Structure Assembly
 Figure 2 (Sheet 18)

57-43-51

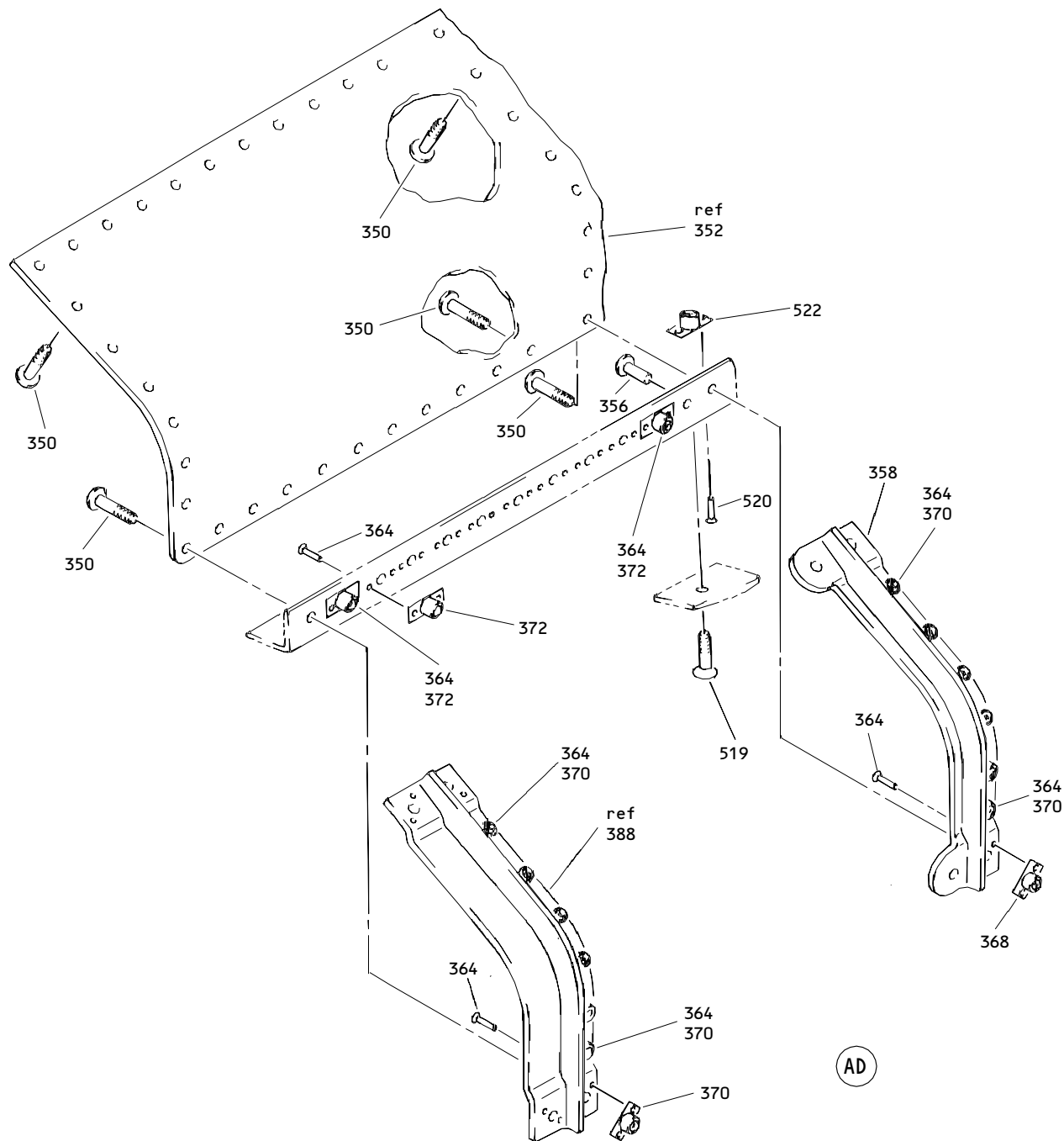
ILLUSTRATED PARTS LIST
 01.1 Page 1064B
 Mar 01/04



Outboard Slat No. 3 Wing Leading Edge Structure Assembly
Figure 2 (Sheet 19)

57-43-51

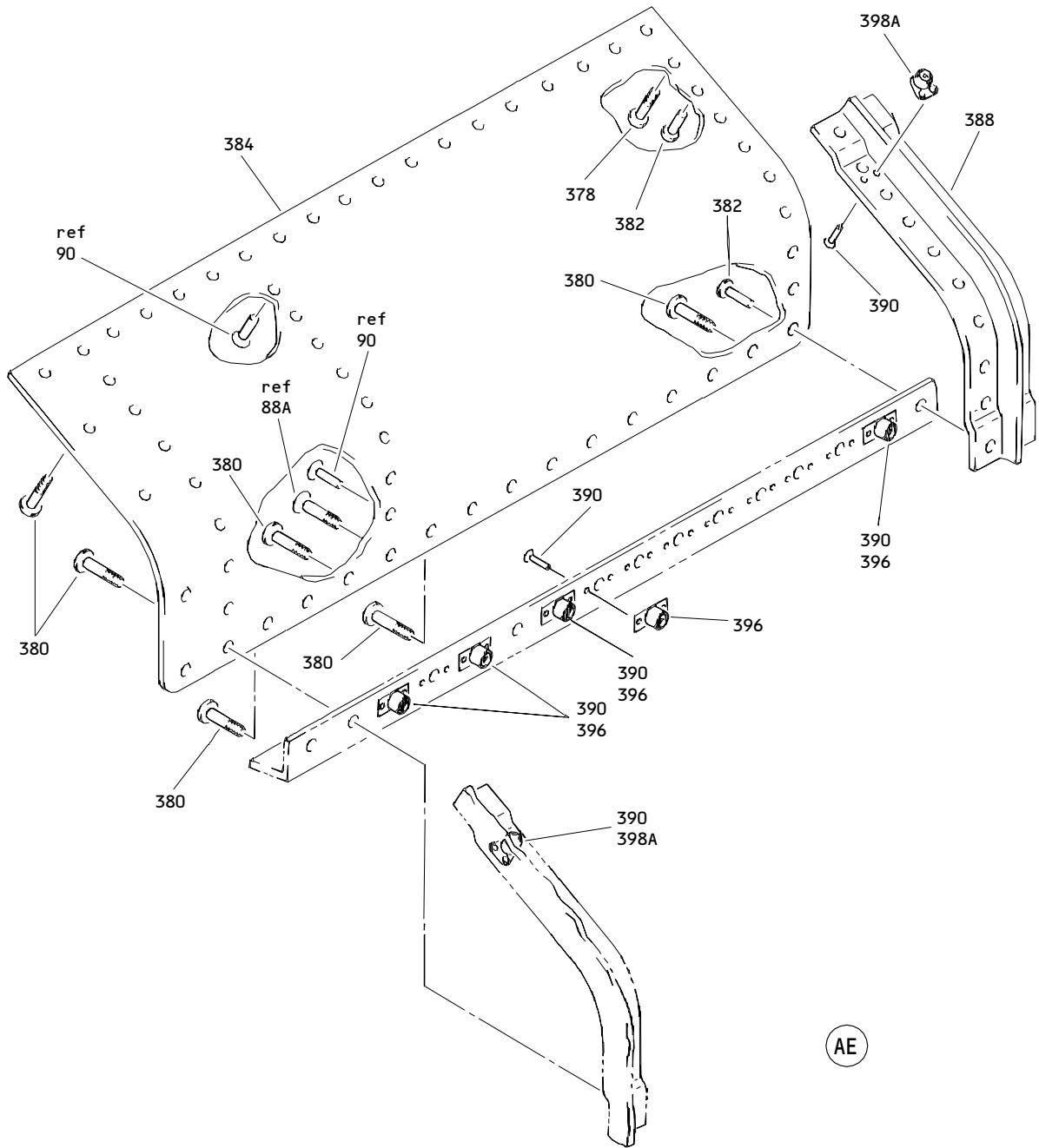
ILLUSTRATED PARTS LIST
01.1 Page 1064C
Mar 01/04



Outboard Slat No. 3 Wing Leading Edge Structure Assembly
 Figure 2 (Sheet 20)

57-43-51

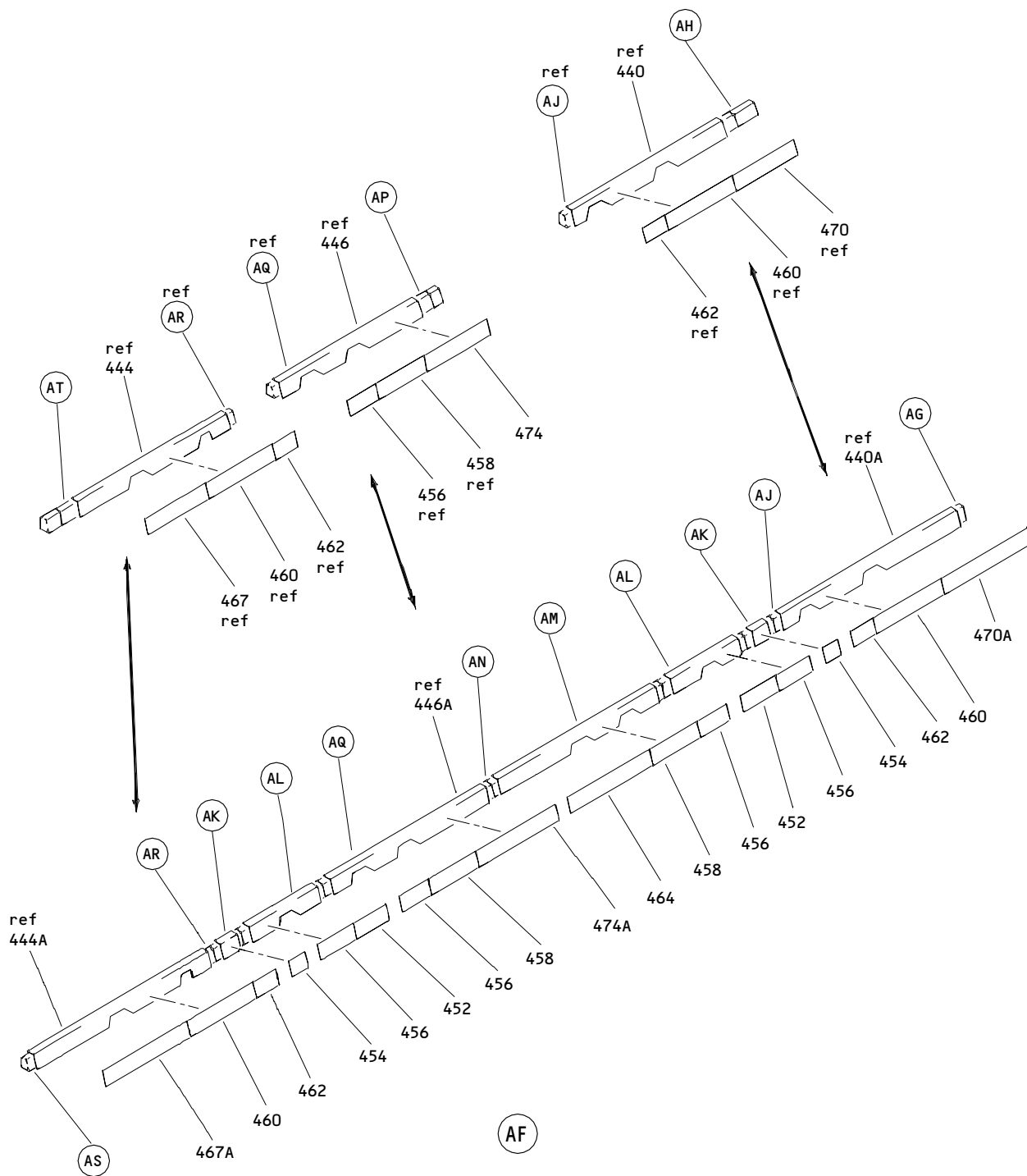
ILLUSTRATED PARTS LIST
 01.1 Page 1064D
 Mar 01/04



Outboard Slat No. 3 Wing Leading Edge Structure Assembly
Figure 2 (Sheet 21)

57-43-51

ILLUSTRATED PARTS LIST
01.1 Page 1064E
Mar 01/04

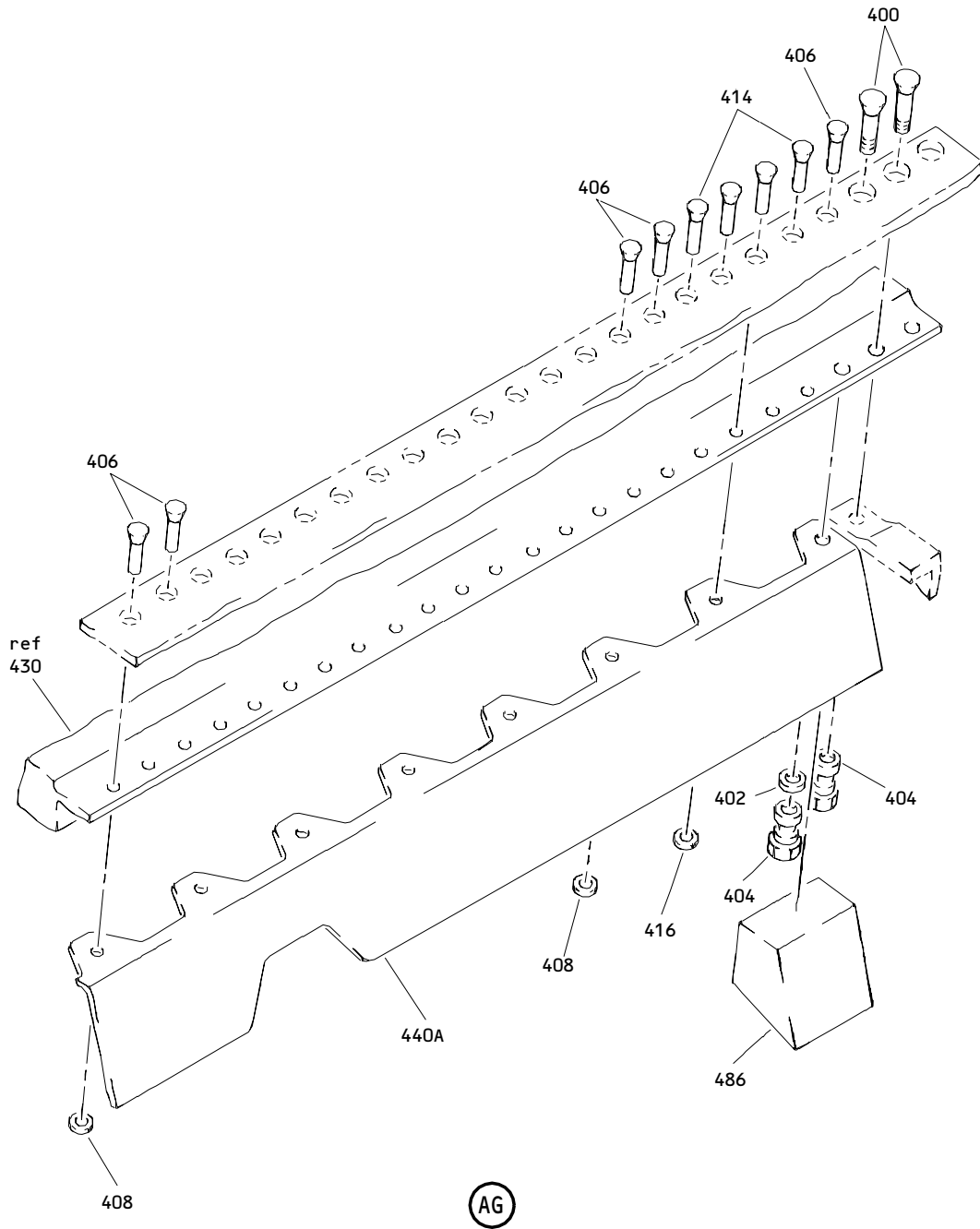


Outboard Slat No. 3 Wing Leading Edge Structure Assembly
 Figure 2 (Sheet 22)

57-43-51

ILLUSTRATED PARTS LIST
 01.1 Page 1064F
 Mar 01/04

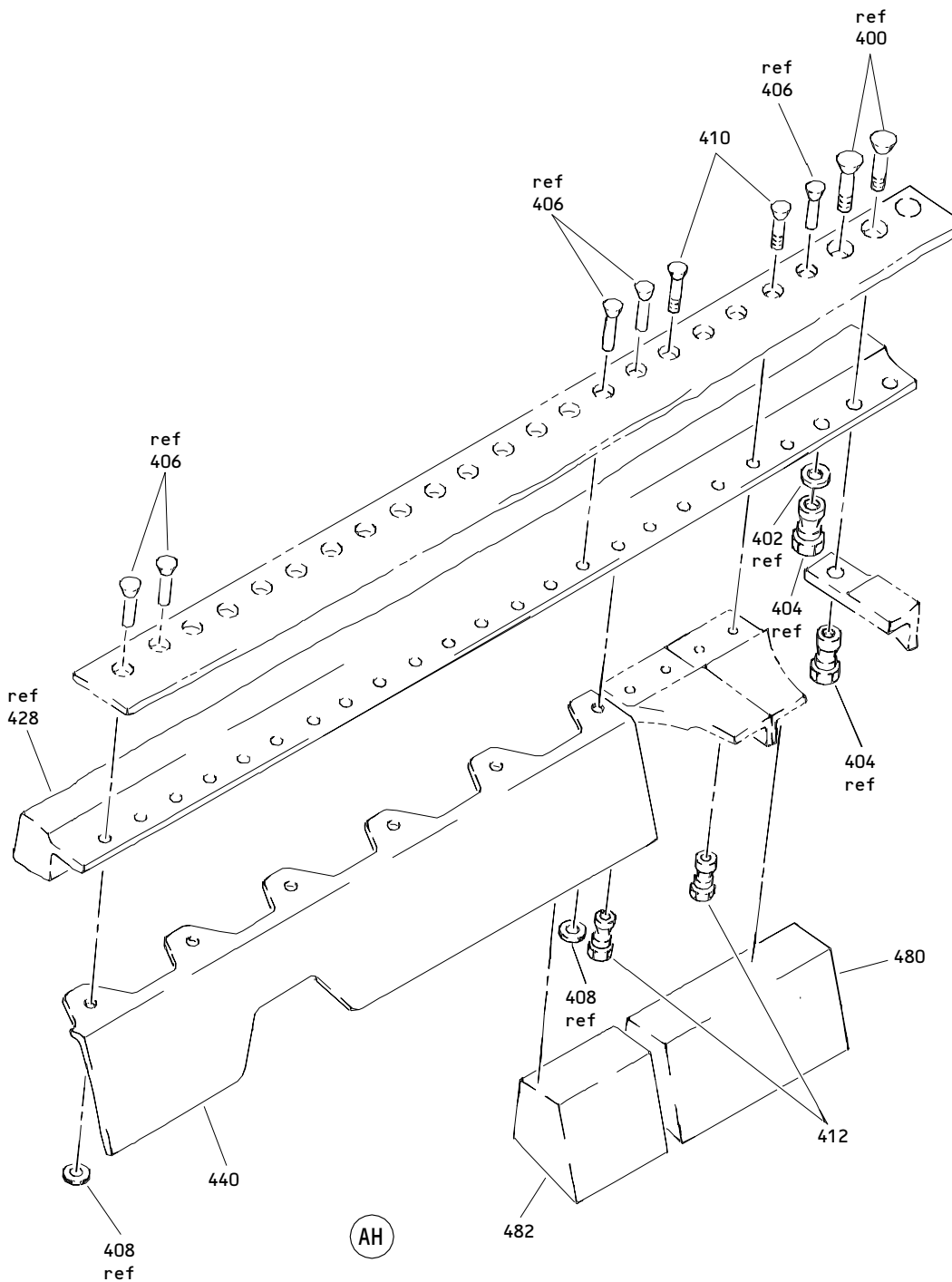
T77921



Outboard Slat No. 3 Wing Leading Edge Structure Assembly
Figure 2 (Sheet 23)

57-43-51

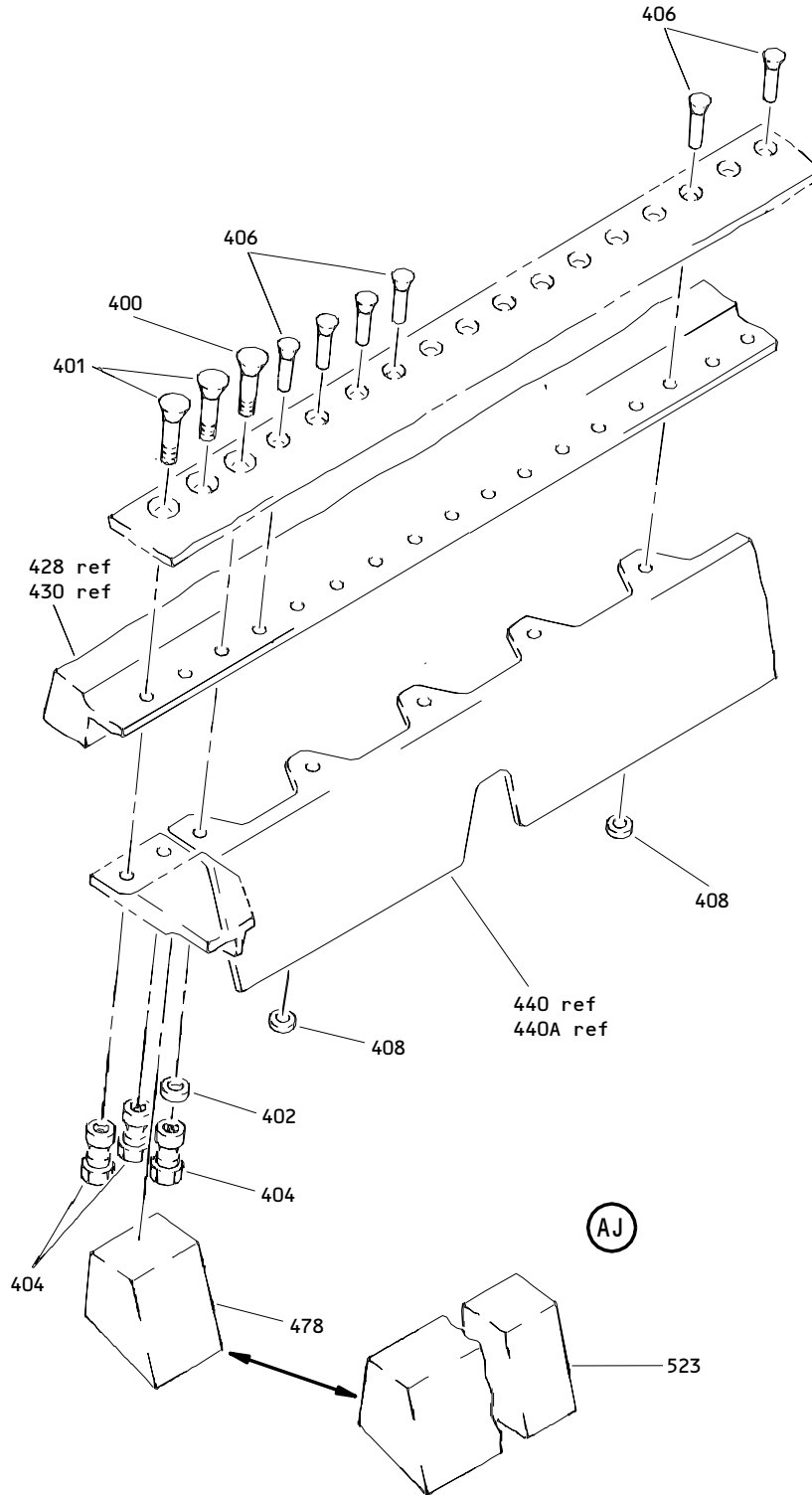
ILLUSTRATED PARTS LIST
01.1 Page 1064G
Mar 01/04



Outboard Slat No. 3 Wing Leading Edge Structure Assembly
 Figure 2 (Sheet 24)

57-43-51

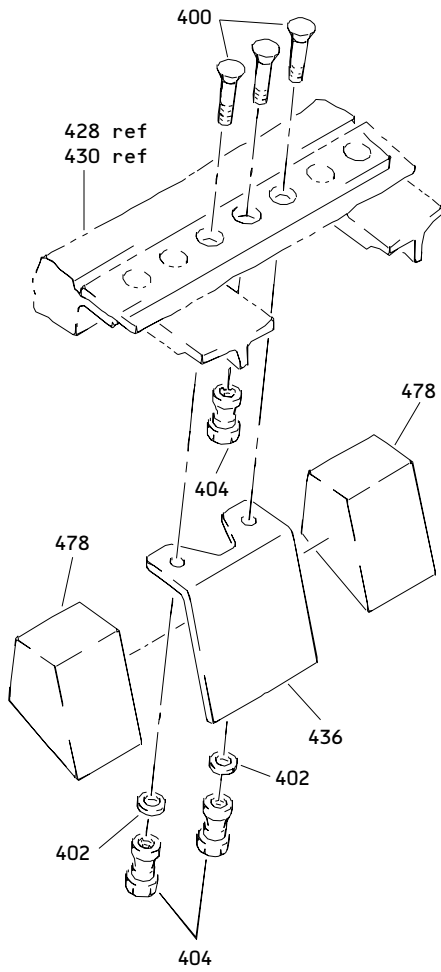
ILLUSTRATED PARTS LIST
 01.1 Page 1064H
 Mar 01/04



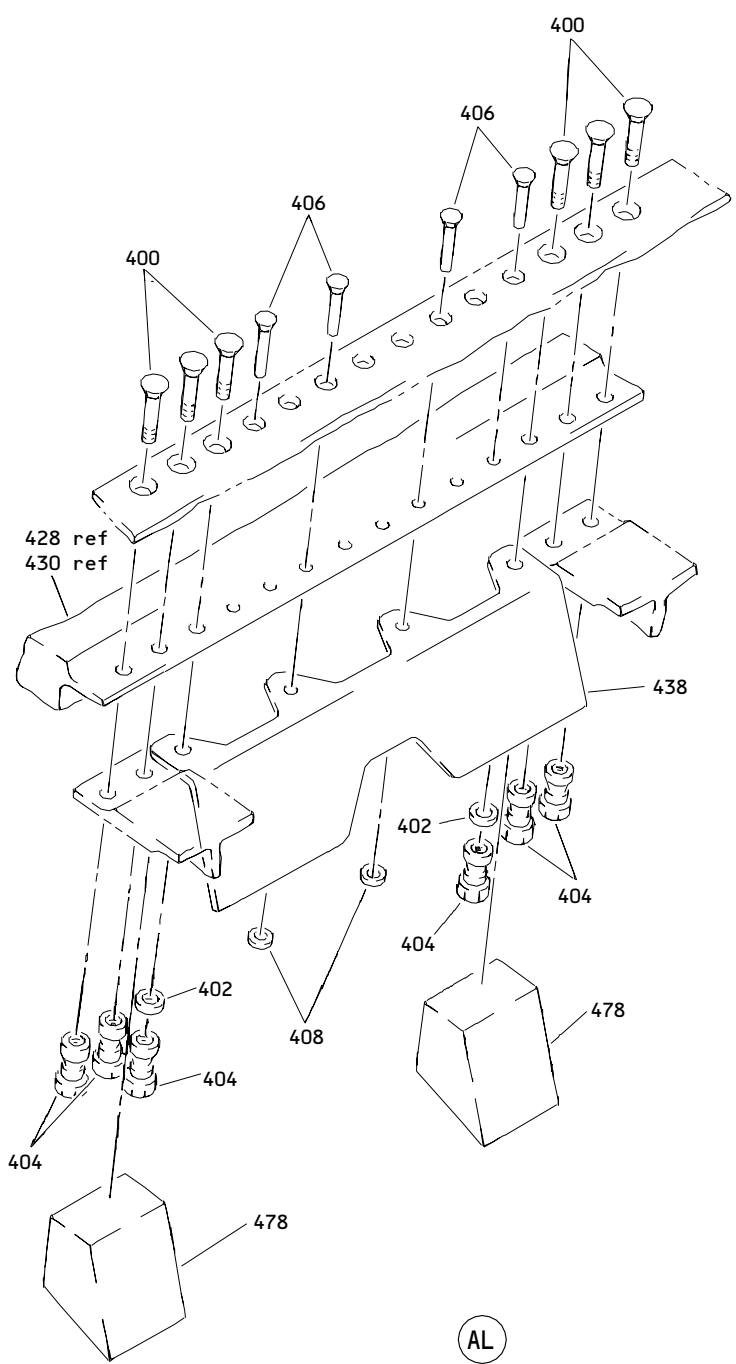
Outboard Slat No. 3 Wing Leading Edge Structure Assembly
Figure 2 (Sheet 25)

57-43-51

ILLUSTRATED PARTS LIST
01.1 Page 1064I
Mar 01/04



AK

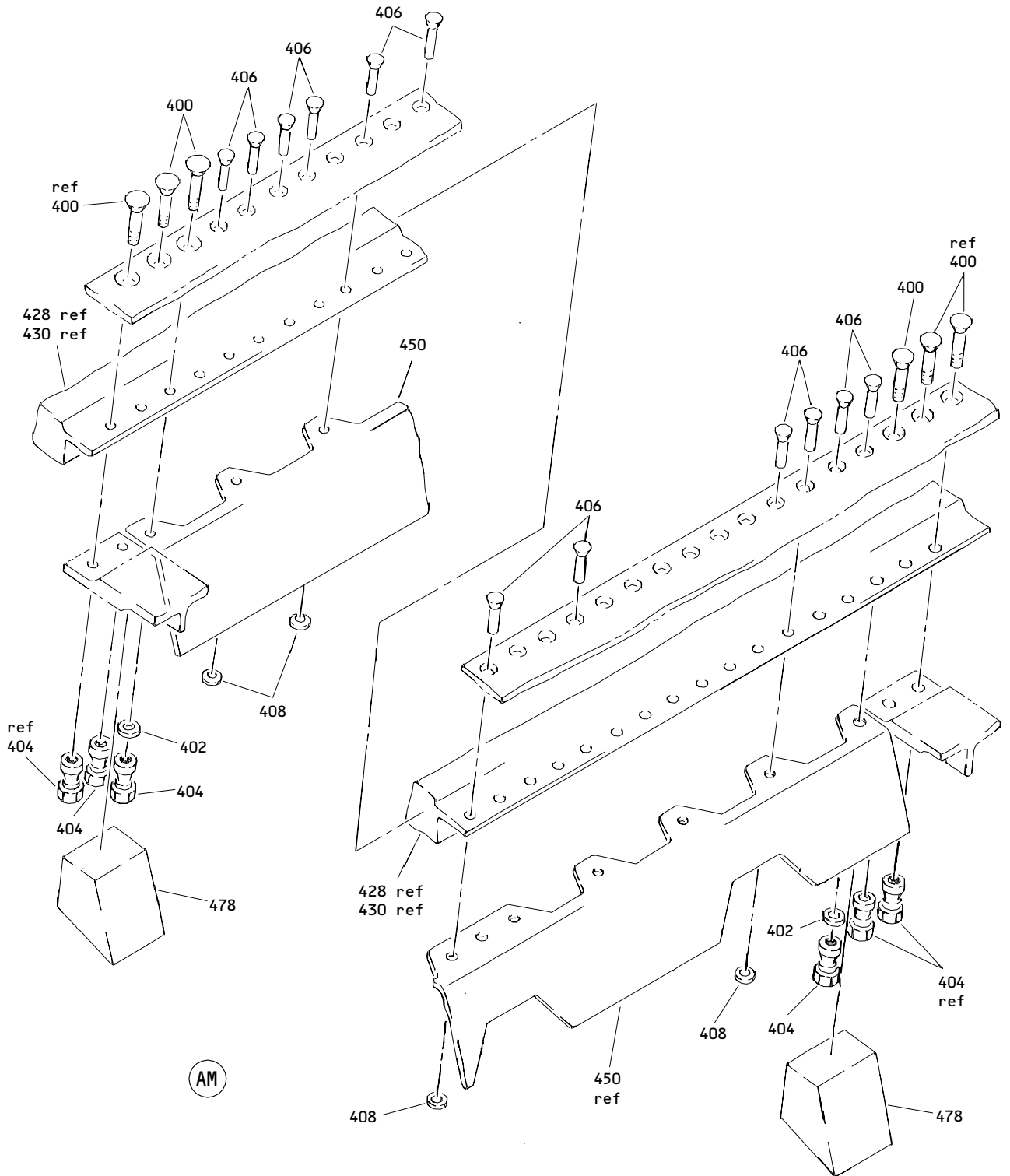


AL

Outboard Slat No. 3 Wing Leading Edge Structure Assembly
 Figure 2 (Sheet 26)

57-43-51

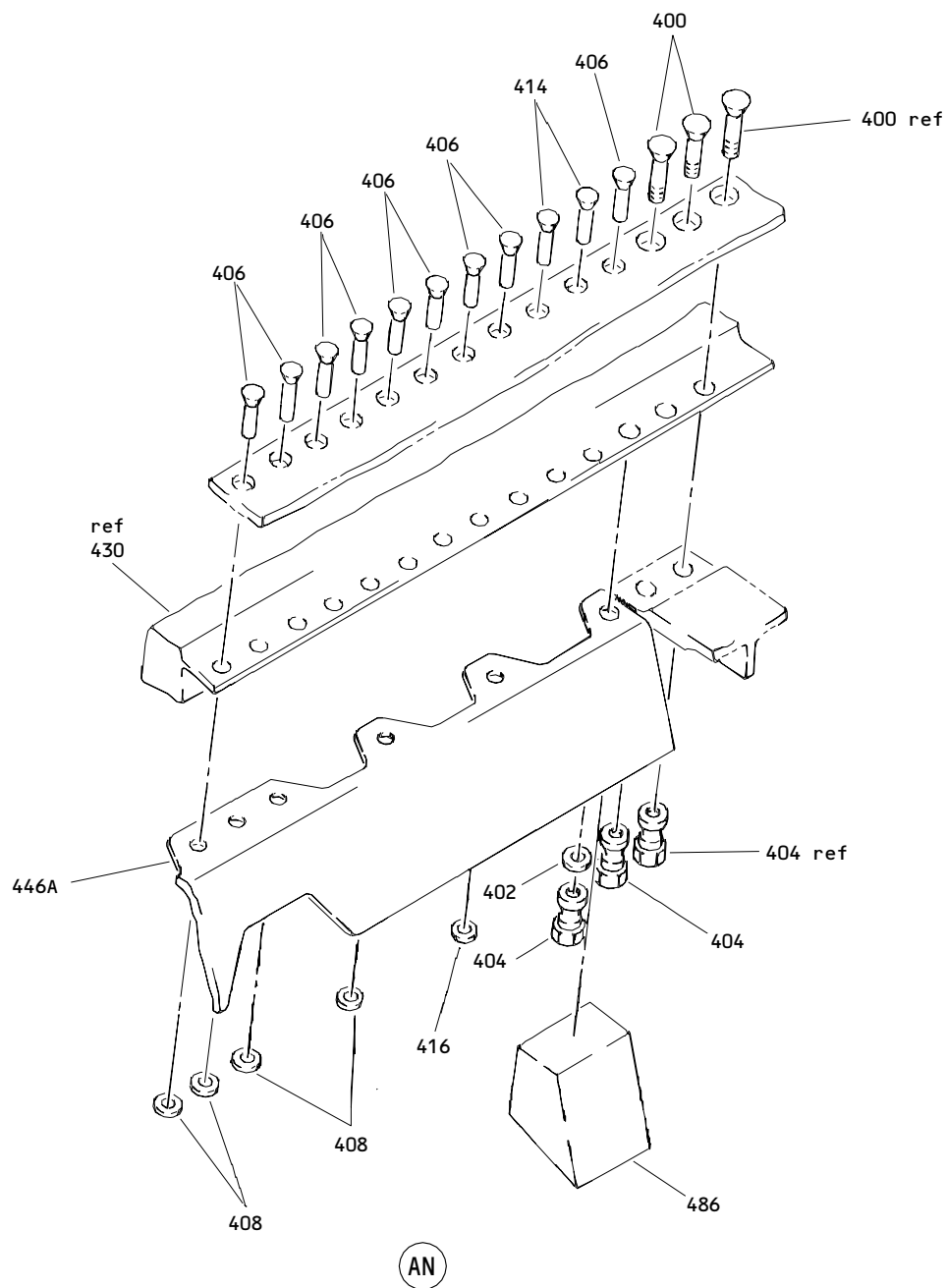
ILLUSTRATED PARTS LIST
 01.1 Page 1064J
 Mar 01/04



Outboard Slat No. 3 Wing Leading Edge Structure Assembly
Figure 2 (Sheet 27)

57-43-51

ILLUSTRATED PARTS LIST
01.1 Page 1064K
Mar 01/04

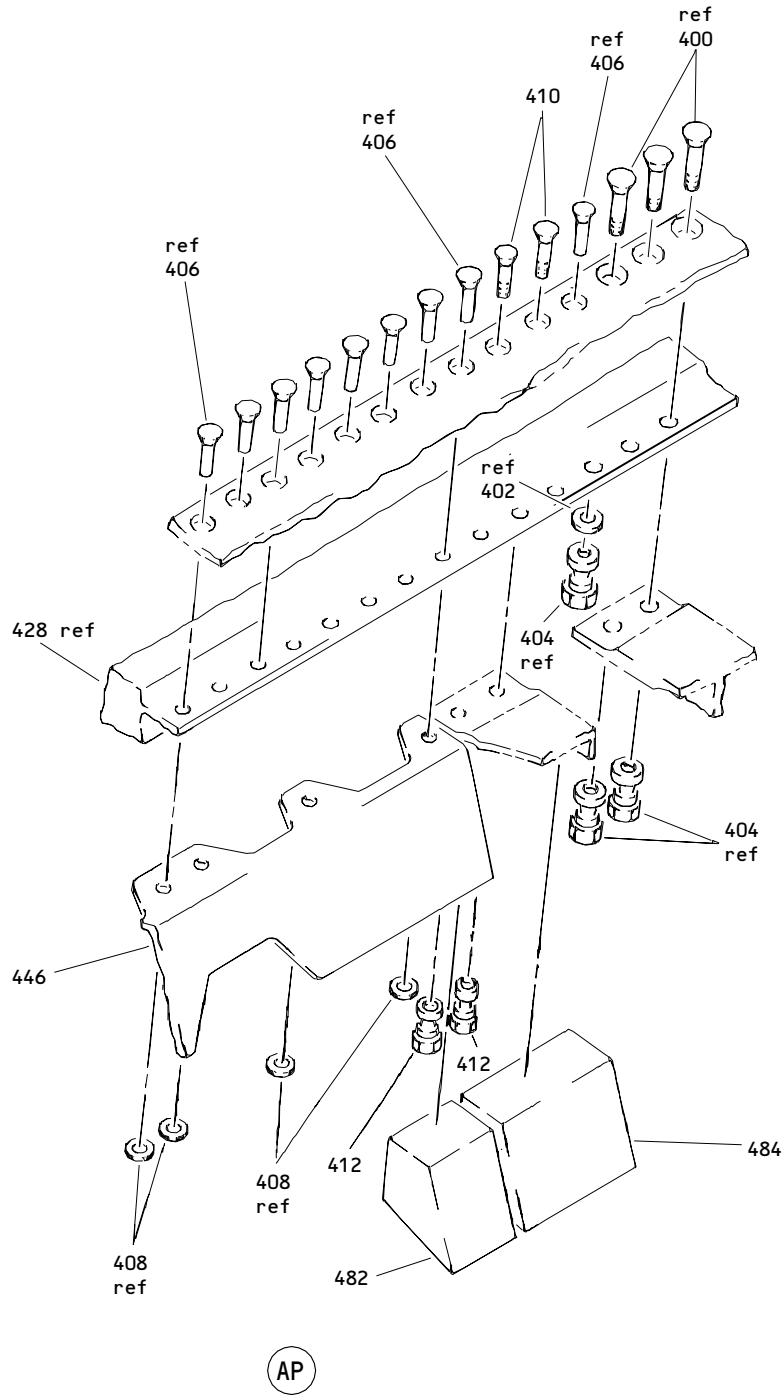


Outboard Slat No. 3 Wing Leading Edge Structure Assembly
 Figure 2 (Sheet 28)

57-43-51

ILLUSTRATED PARTS LIST
 01.1 Page 1064L
 Mar 01/04

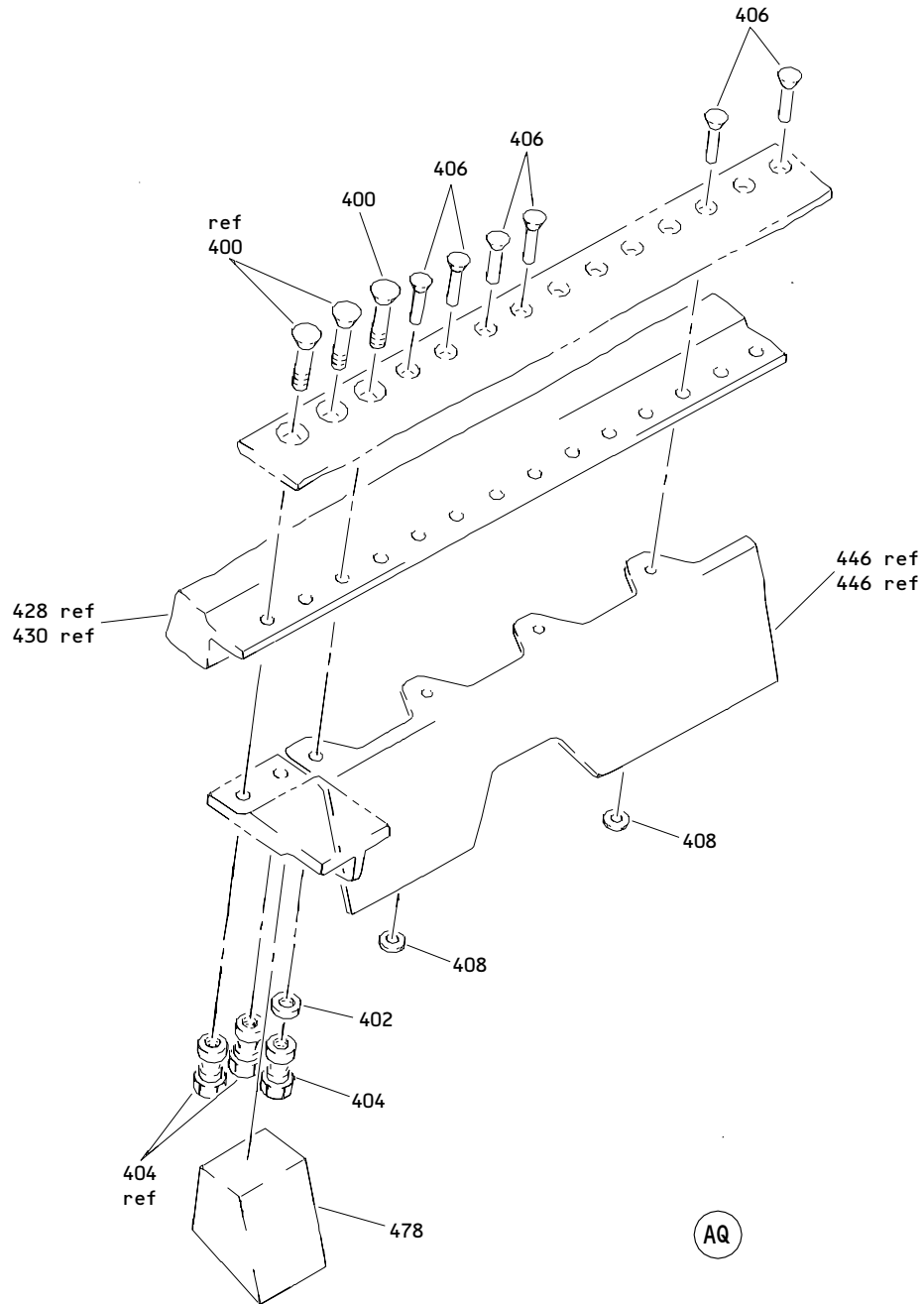
TT7927



Outboard Slat No. 3 Wing Leading Edge Structure Assembly
Figure 2 (Sheet 29)

57-43-51

ILLUSTRATED PARTS LIST
01.1 Page 1064M
Mar 01/04

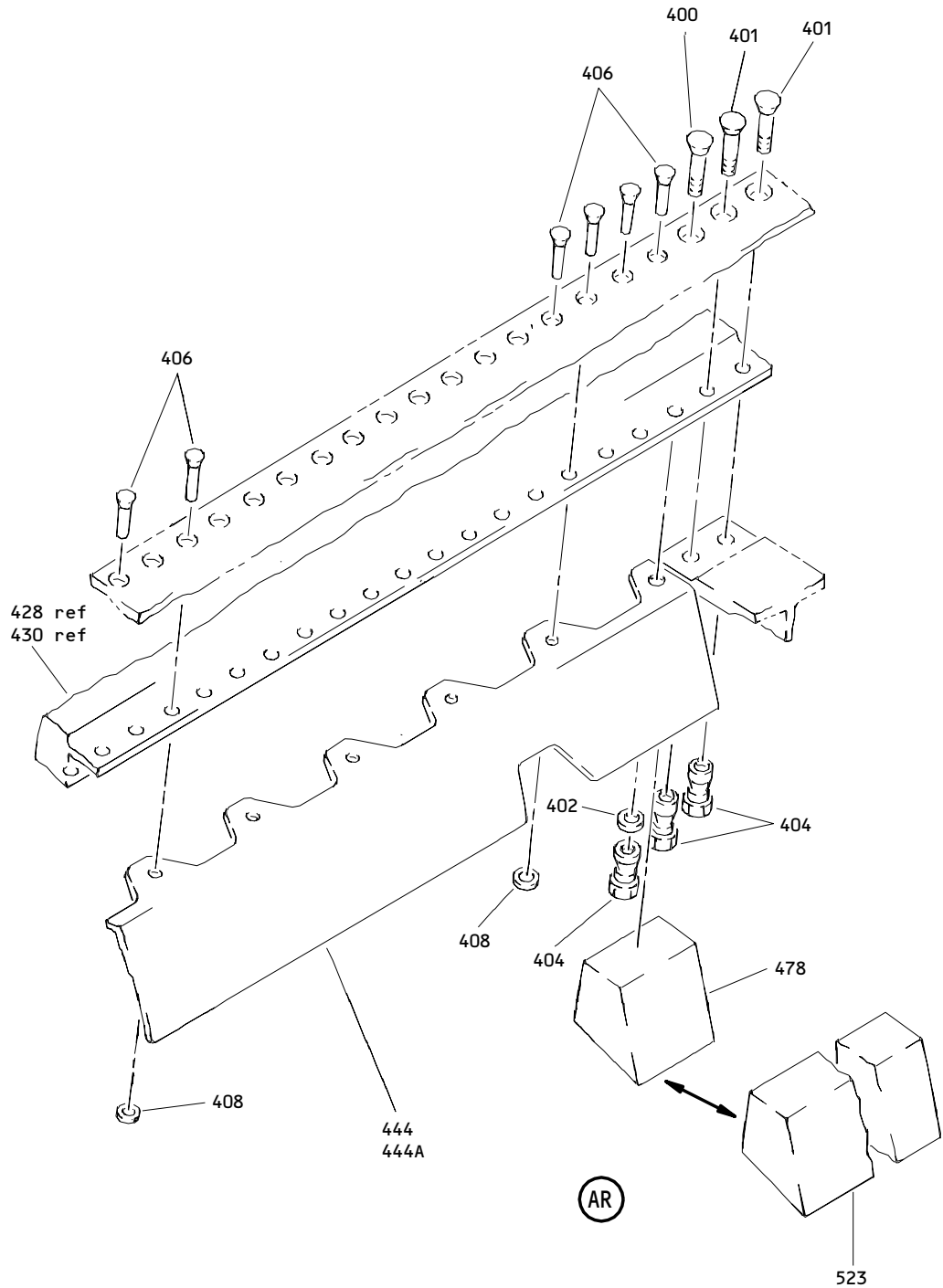


Outboard Slat No. 3 Wing Leading Edge Structure Assembly
 Figure 2 (Sheet 30)

57-43-51

ILLUSTRATED PARTS LIST
 01.1 Page 1064N
 Mar 01/04

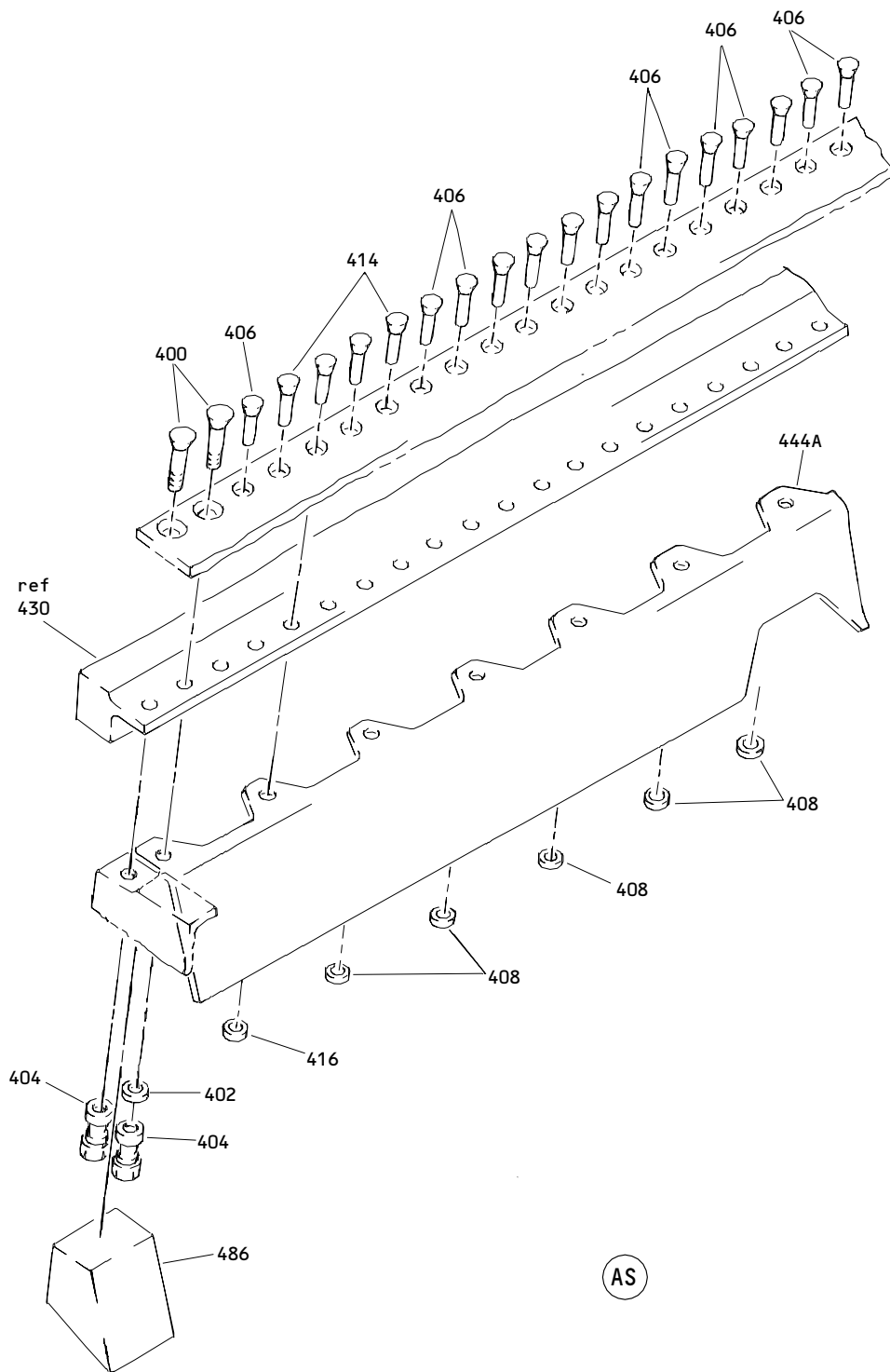
TT7929



Outboard Slat No. 3 Wing Leading Edge Structure Assembly
Figure 2 (Sheet 31)

57-43-51

ILLUSTRATED PARTS LIST
01.1 Page 10640
Mar 01/04

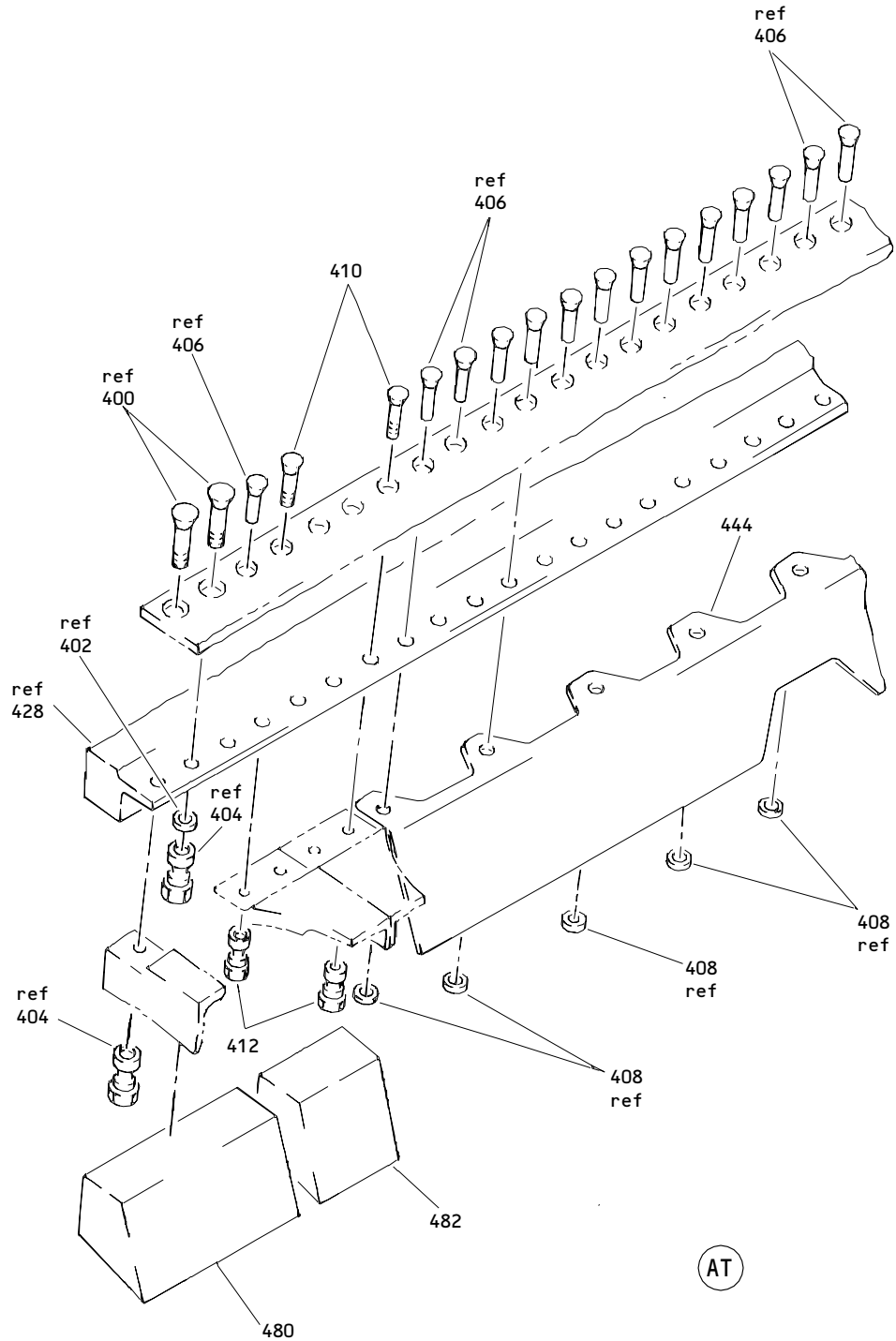


Outboard Slat No. 3 Wing Leading Edge Structure Assembly
 Figure 2 (Sheet 32)

57-43-51

ILLUSTRATED PARTS LIST
 01.1 Page 1064P
 Mar 01/04

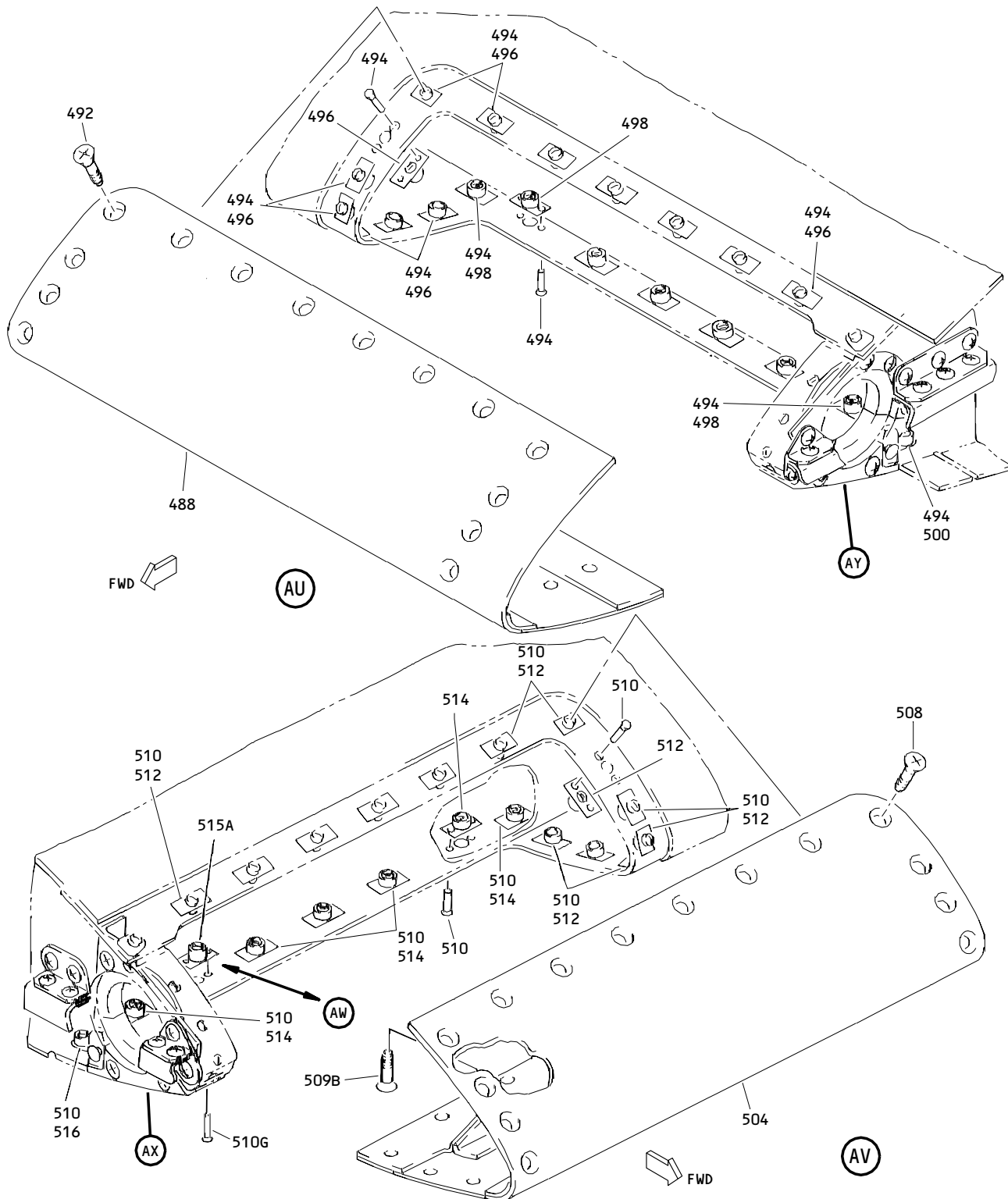
T77931



Outboard Slat No. 3 Wing Leading Edge Structure Assembly
Figure 2 (Sheet 33)

57-43-51

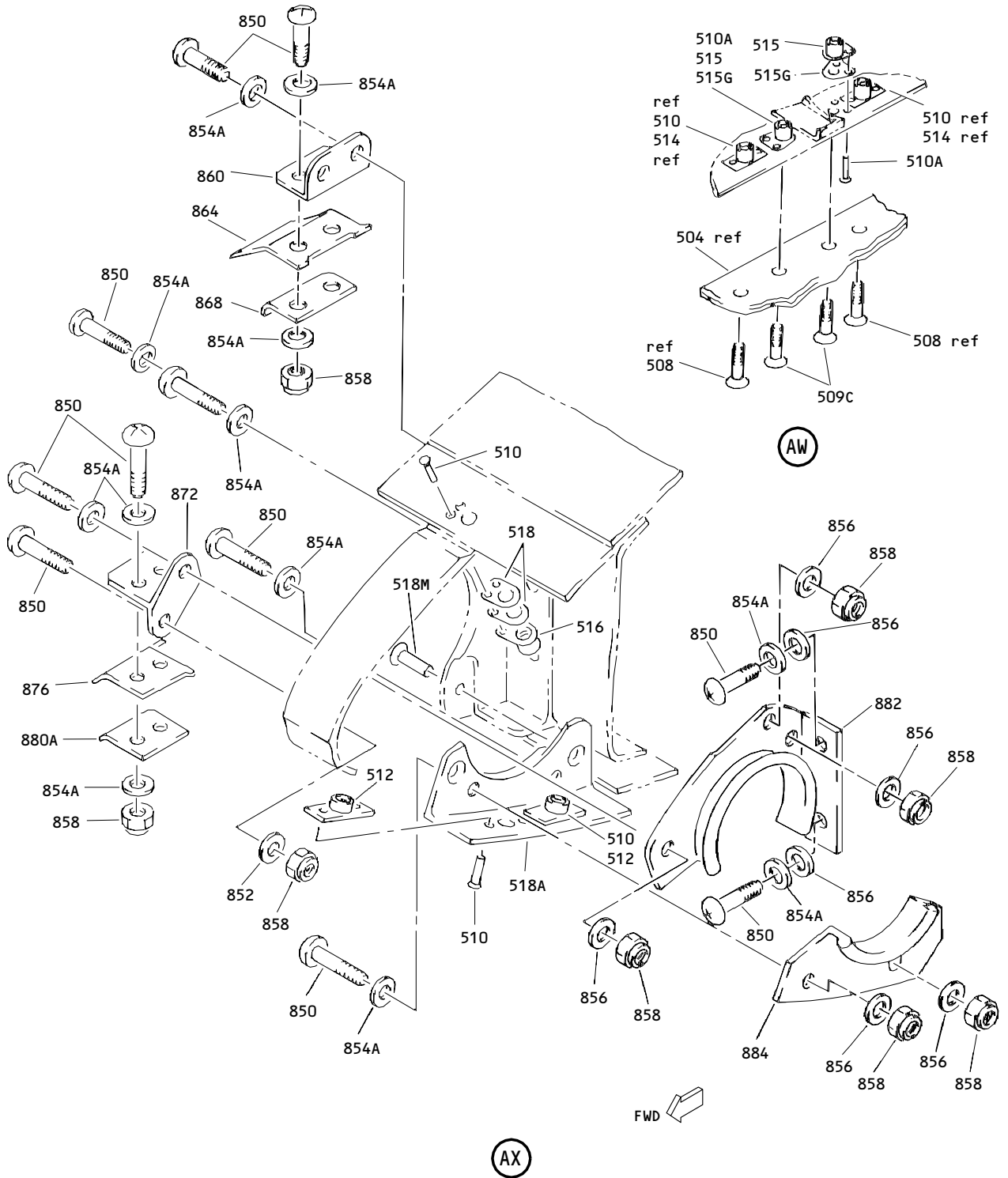
ILLUSTRATED PARTS LIST
01.1 Page 1064Q
Mar 01/04



Outboard Slat No. 3 Wing Leading Edge Structure Assembly
 Figure 2 (Sheet 34)

57-43-51

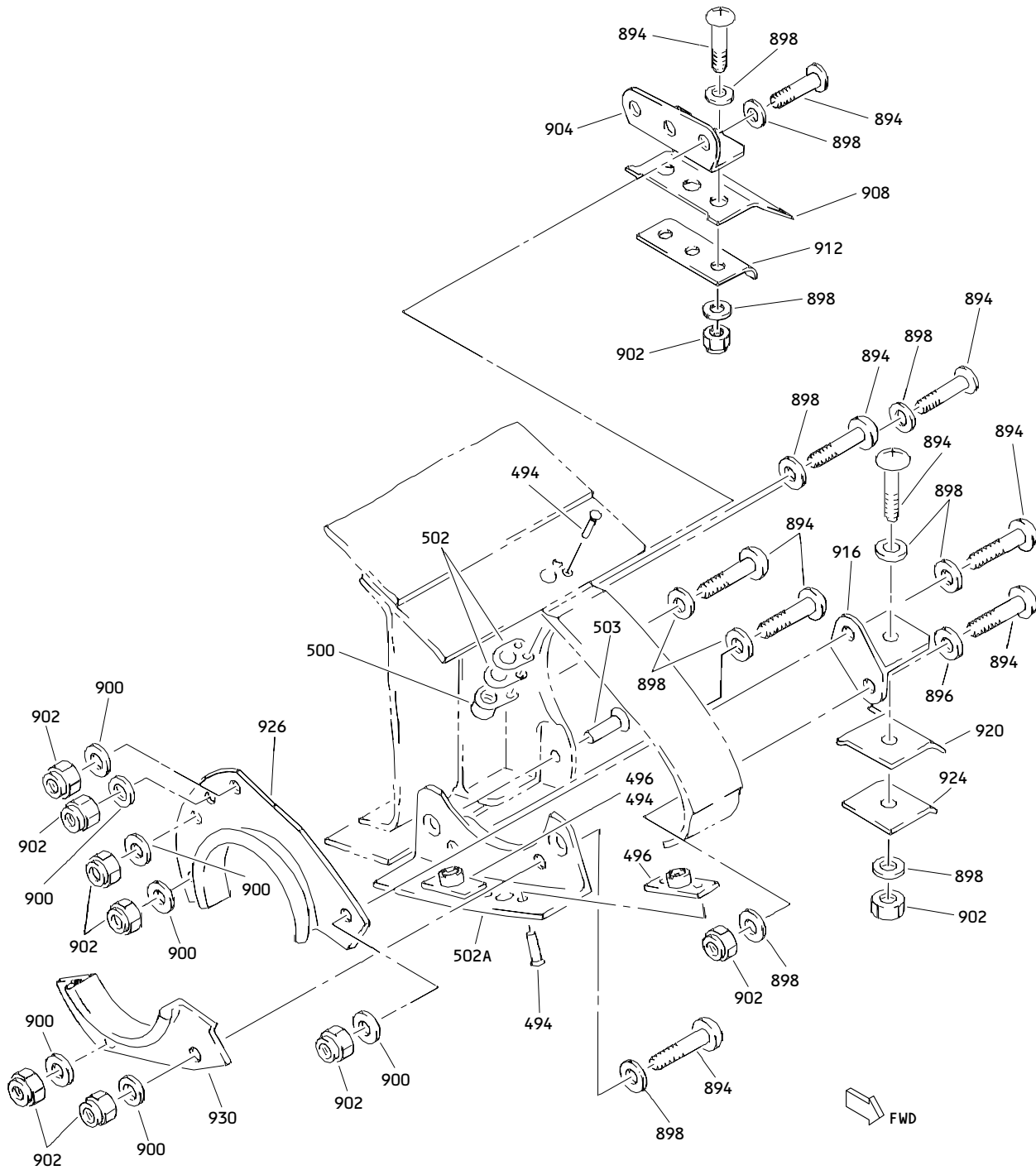
ILLUSTRATED PARTS LIST
 01.1 Page 1064R
 Mar 01/04



Outboard Slat No. 3 Wing Leading Edge Structure Assembly
 Figure 2 (Sheet 35)

57-43-51

ILLUSTRATED PARTS LIST
 01.1 Page 1064S
 Mar 01/04

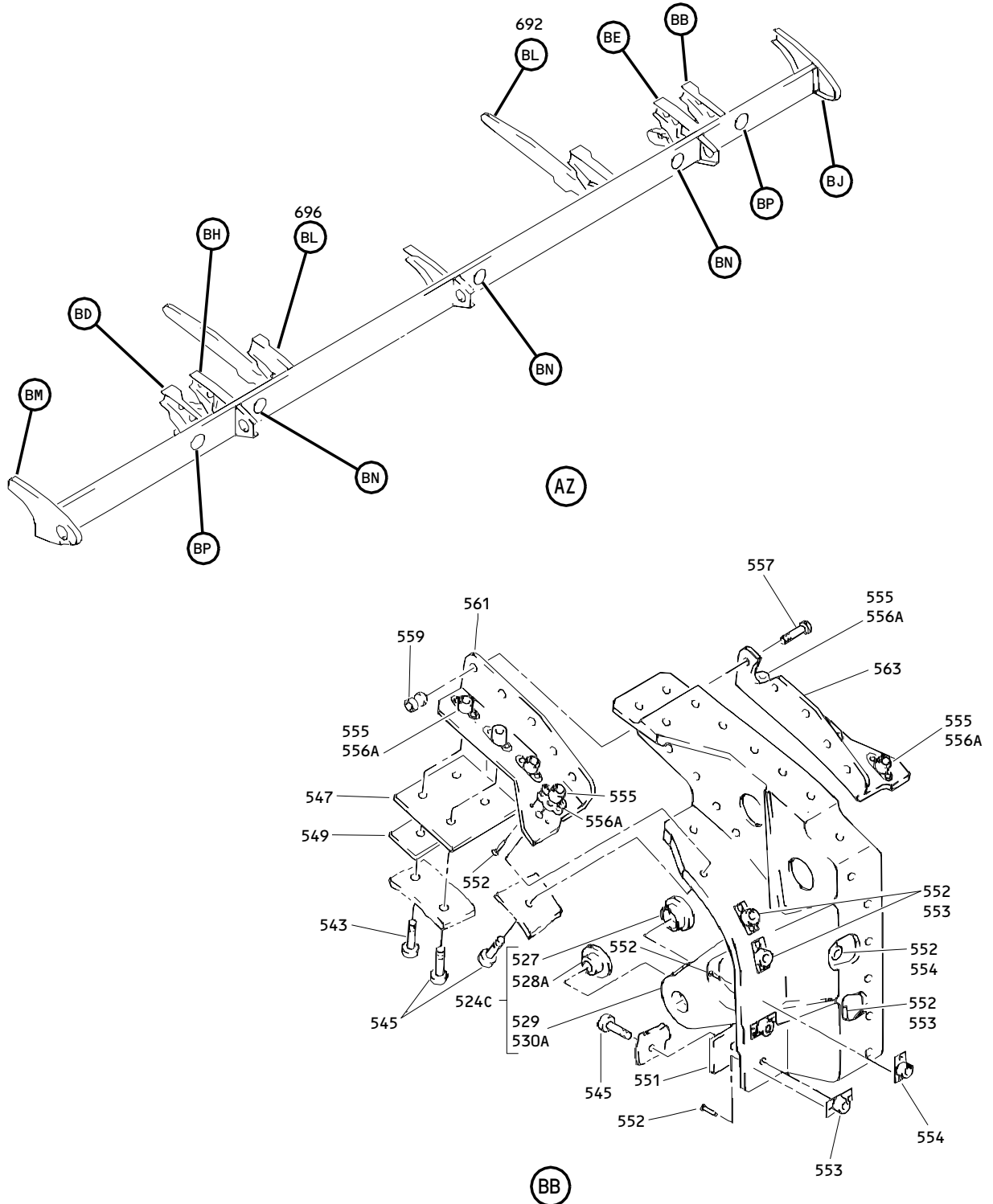


AY

Outboard Slat No. 3 Wing Leading Edge Structure Assembly
 Figure 2 (Sheet 36)

57-43-51

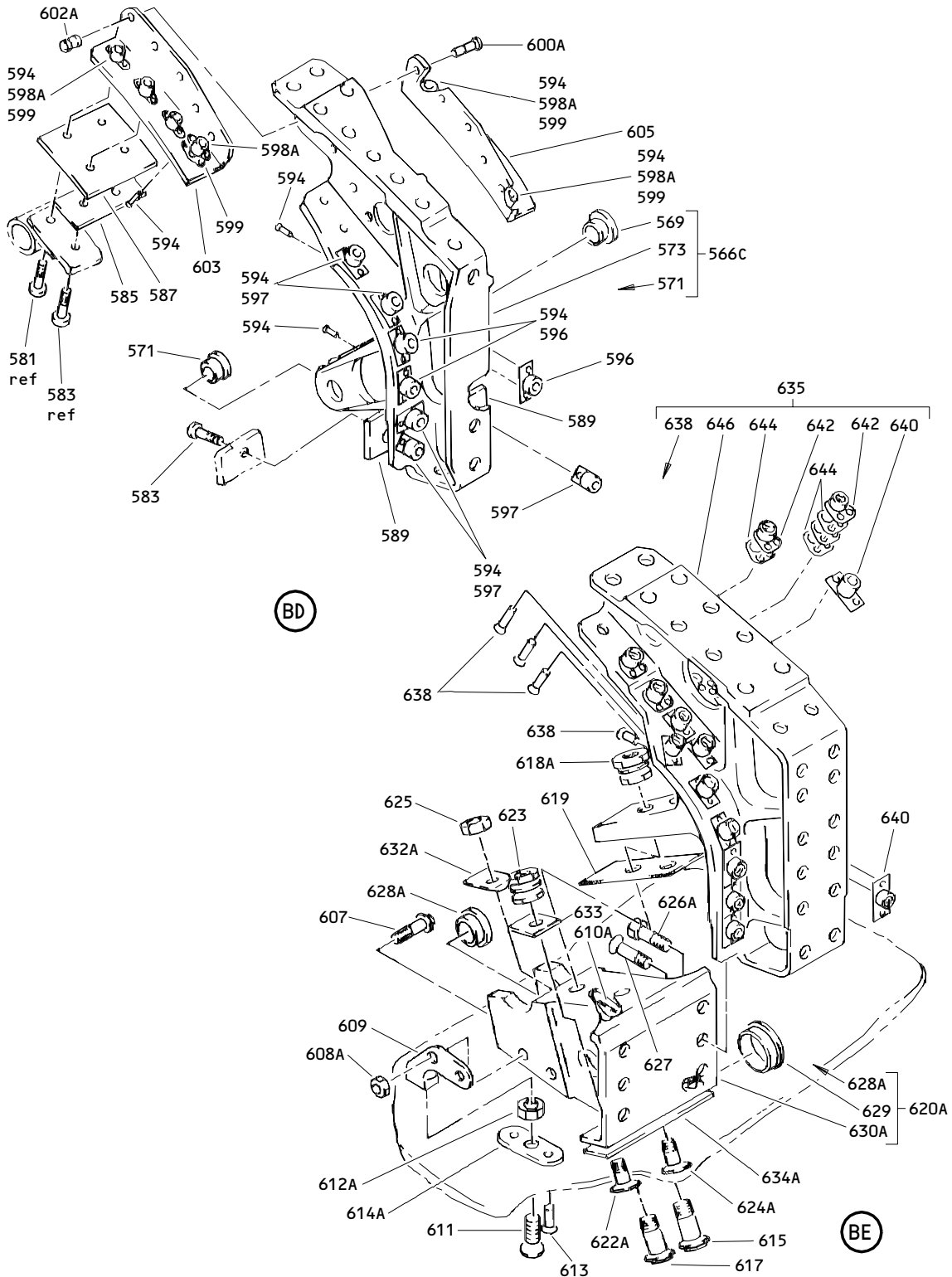
ILLUSTRATED PARTS LIST
 01.1 Page 1064T
 Mar 01/04



Outboard Slat No. 3 Wing Lead Edge Structure Assembly
Figure 2 (Sheet 37)

57-43-51

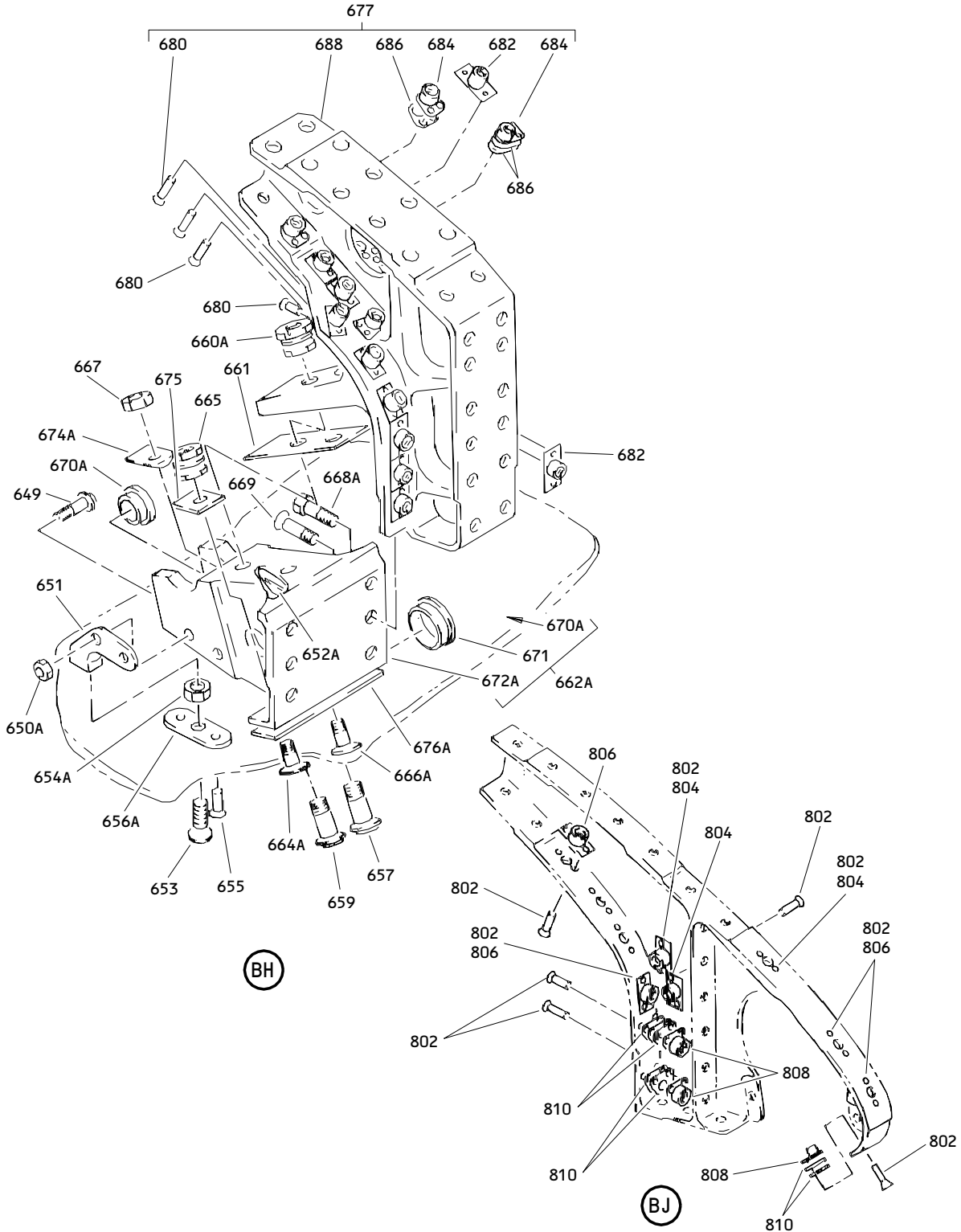
ILLUSTRATED PARTS LIST
01.1 Page 1064U
Mar 01/04



Outboard Slat No. 3 Wing Leading Edge Structure Assembly
 Figure 2 (Sheet 38)

57-43-51

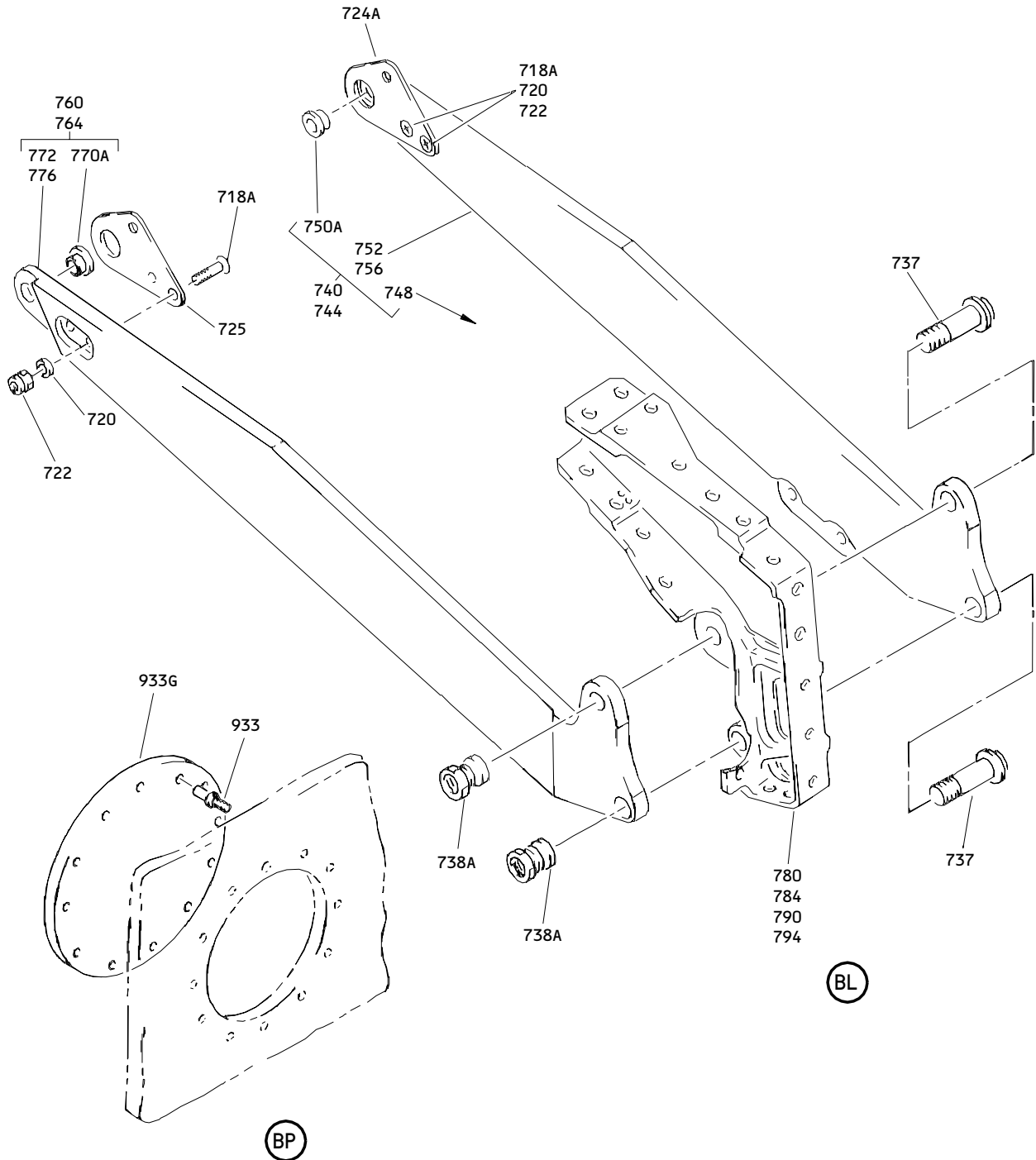
ILLUSTRATED PARTS LIST
 01.1 Page 1064V
 Mar 01/04



Outboard Slat No. 3 Wing Leading Edge Structure Assembly
 Figure 2 (Sheet 39)

57-43-51

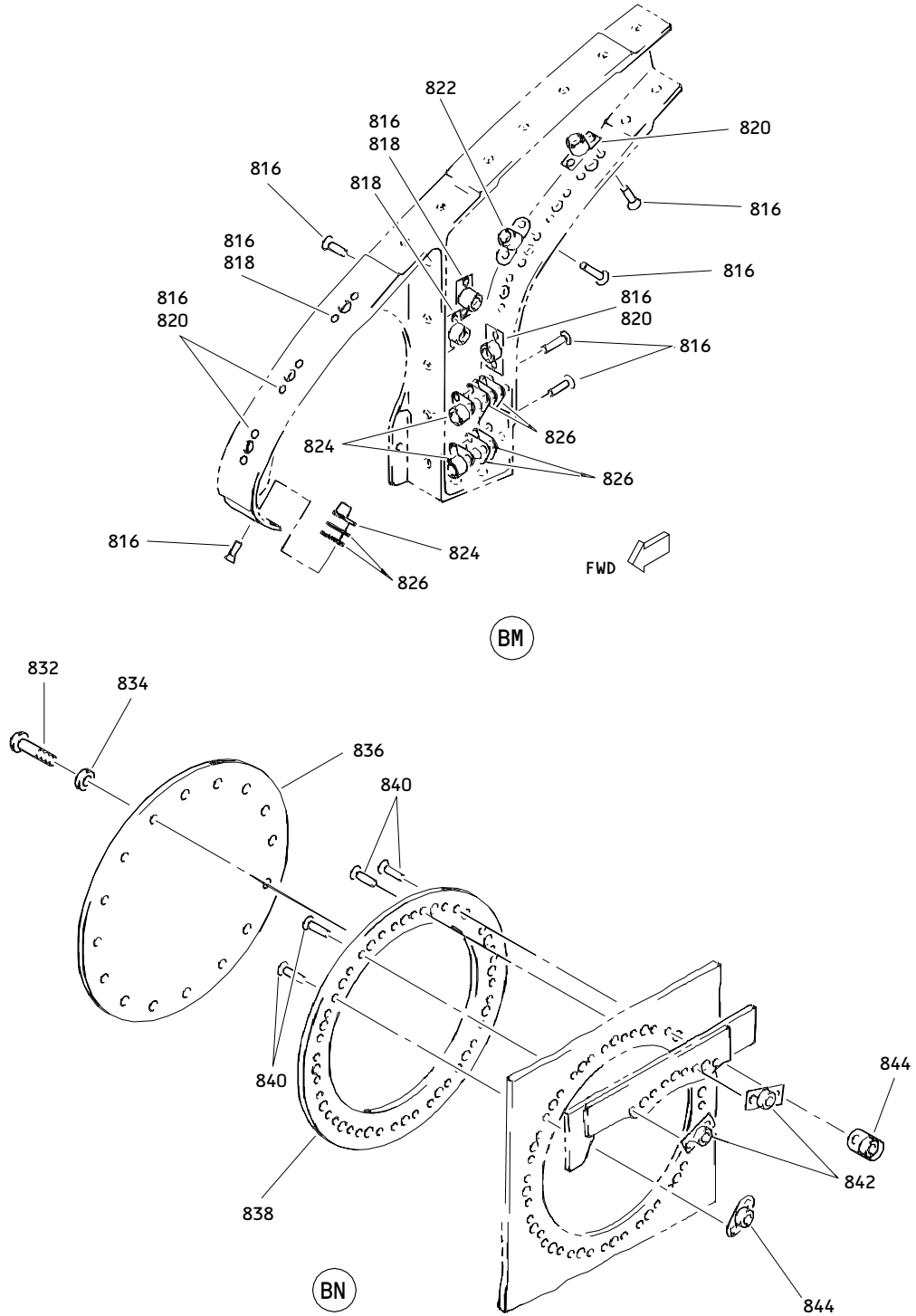
ILLUSTRATED PARTS LIST
 01.1 Page 1064W
 Mar 01/04



Outboard Slat No. Wing Leading Edge Structure Assembly
 Figure 2 (Sheet 40)

57-43-51

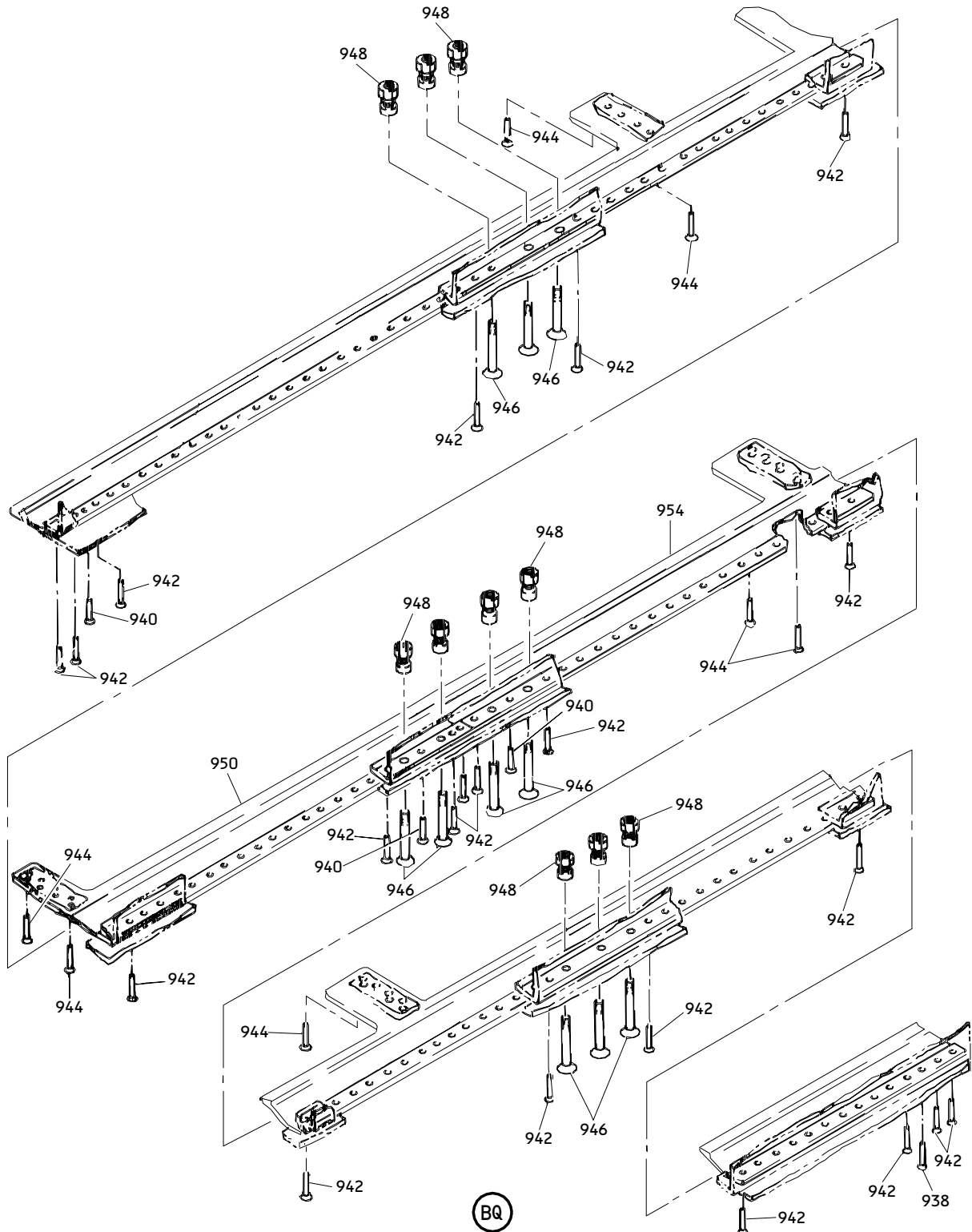
ILLUSTRATED PARTS LIST
 01.1 Page 1064X
 Mar 01/04



Outboard Slat No. 3 Wing Leading Edge Structure Assembly
 Figure 2 (Sheet 41)

57-43-51

ILLUSTRATED PARTS LIST
 01.1 Page 1064Y
 Mar 01/04



Outboard Slat No. 3 Wing Leading Edge Structure Assembly
 Figure 2 (Sheet 42)

57-43-51

ILLUSTRATED PARTS LIST
 01.1 Page 1064Z
 Mar 01/04

FIG. & ITEM	PART NO.	AIRLINE PART NUMBER	NOMENCLATURE 1234567	EFF CODE	QTY PER ASSY
02- -1	114T4103-13SP		STRUCTURE ASSY-OUTBD SLAT NO. 3 WING LE (LH) (REWORK DWG 114T4183-1) (PRE SB 767-32-0107) (PRE SB 767-32-0095) (PRE SB 767-57A0057)	A	RF
-1A	015T1507-301		STRUCTURE ASSY-OUTBD SLAT NO. 3 WING LE (LH) (POST SB 767-57A0057)	AL	RF
-1B	015T1507-303		STRUCTURE ASSY-OUTBD SLAT NO. 3 WING LE (LH) (POST SB 767-57A0057)	AM	RF
-1C	015T1507-305		STRUCTURE ASSY-OUTBD SLAT NO. 3 WING LE (LH) (POST SB 767-57A0057)	AN	RF
-1D	015T1507-343		STRUCTURE ASSY-OUTBD SLAT NO. 3 WING LE (LH) (POST SB 767-57A0057)	AP	RF
-1E	015T1507-345		STRUCTURE ASSY-OUTBD SLAT NO. 3 WING LE (LH) (POST SB 767-57A0057)	AQ	RF
-1F	015T1507-347		STRUCTURE ASSY-OUTBD SLAT NO. 3 WING LE (LH) (POST SB 767-57A0057)	AR	RF
-5	114T4103-14SP		STRUCTURE ASSY-OUTBD SLAT NO. 10 WING LE (RH) (REWORK DWG 114T4183-2) (PRE SB 767-32-0107) (PRE SB 767-32-0095) (PRE SB 767-57A0057)	M	RF
-5A	015T1507-302		STRUCTURE ASSY-OUTBD SLAT NO. 10 WING LE (RH) (POST SB 767-57A0057)	AS	RF
-5B	015T1507-304		STRUCTURE ASSY-OUTBD SLAT NO. 10 WING LE (RH) (POST SB 767-57A0057)	AT	RF
-5C	015T1507-306		STRUCTURE ASSY-OUTBD SLAT NO. 10 WING LE (RH) (POST SB 767-57A0057)	AU	RF
-5D	015T1507-344		STRUCTURE ASSY-OUTBD SLAT NO. 10 WING LE (RH) (POST SB 767-57A0057)	AV	RF

57-43-51

ILLUSTRATED PARTS LIST
01.1 Page 1065
Mar 01/04

FIG. & ITEM	PART NO.	AIRLINE PART NUMBER	NOMENCLATURE 1234567	EFF CODE	QTY PER ASSY
02- -5E	015T1507-346		STRUCTURE ASSY-OUTBD SLAT NO. 10 WING LE (RH) (POST SB 767-57A0057)	AW	RF
-5F	015T1507-348		STRUCTURE ASSY-OUTBD SLAT NO. 10 WING LE (RH) (POST SB 767-57A0057)	AX	RF
-7	114T4103-5001		.STRUCTURE ASSY- (REPLD BY ITEMS 7A, 7B)	A,A L-AR	1
-7A	114T4103-5003		.STRUCTURE ASSY- (REPLD BY ITEM 7B) (REPLS ITEM 7)	A,A L-AR	1
-7B	114T4103-5005		.STRUCTURE ASSY- (REPLS ITEMS 7, 7A)	A,A L-AR	1
-8	114T4103-5002		.STRUCTURE ASSY- (REPLD BY ITEMS 8A, 8B)	M,A S-AX	1
-8A	114T4103-5004		.STRUCTURE ASSY- (REPLD BY ITEM 8B) (REPLS ITEM 8)	M,A S-AX	1
-8B	114T4103-5006		.STRUCTURE ASSY- (REPLS ITEMS 8, 8A)	M,A S-AX	1
10	BACB30NT3K7		..BOLT	A,M,A L-AX	59
12	AN960PD10L		..WASHER	A,M,A L-AX	61
14	H10-3BAC		..NUT- (V15653) (SPEC BACN10JC3) (OPT NS202101-02 (V80539)) (OPT RMLH9075-3W (V72962)) (OPT T6S1032J (V71087)) (OPT VN303A02 (V92215)) (OPT 96-02 (V80539)) (OPT BRH10A3 (V52828))	A,M,A L-AX	2

57-43-51

 ILLUSTRATED PARTS LIST
 01.1 Page 1066
 Mar 01/04

FIG. & ITEM	PART NO.	AIRLINE PART NUMBER	NOMENCLATURE 1234567	EFF CODE	QTY PER ASSY
02-16	114T4233-13		..RETAINER-SEAL	A,A L-AR	1
-18	114T4233-14		..RETAINER-SEAL	M,A S-AX	1
20	114T4233-15		..RETAINER-SEAL	A,A L-AR	1
-22	114T4233-16		..RETAINER-SEAL	M,A S-AX	1
24	114T4233-17		..RETAINER-SEAL	A,A L-AR	1
-26	114T4233-18		..RETAINER-SEAL	M,A S-AX	1
28	114T4232-13		..SEAL-BULB (MFD FROM EXTR RUBBER F25.01 10-60754-319 47.50 IN.)	A,A L-AR	1
-30	114T4232-14		..SEAL-BULB (MFD FROM EXTR RUBBER F25.01 10-60754-319 47.50 IN.)	M,A S-AX	1
32	114T4232-15		..SEAL-BULB (MFD FROM EXTR RUBBER F25.01 10-60754-319 58.00 IN.)	A,A L-AR	1
-34	114T4232-16		..SEAL-BULB (MFD FROM EXTR RUBBER F25.01 10-60754-319 58.00 IN.)	M,A S-AX	1
36	114T4232-17		..SEAL-BULB (MFD FROM EXTR RUBBER F25.01 10-60754-319 47.50 IN.)	A,A L-AR	1
-38	114T4232-18		..SEAL-BULB (MFD FROM EXTR RUBBER F25.01 10-60754-319 47.50 IN.)	M,A S-AX	1

57-43-51

FIG. & ITEM	PART NO.	AIRLINE PART NUMBER	NOMENCLATURE 1234567	EFF CODE	QTY PER ASSY
02-40	BACF3F008E149NN		..FILLER- (USED ON ITEMS 7, 8)	A,M,A L-AX	2
40A	BACF3F009E118NN		DELETED		
40B	BACF3F009E179NN		..FILLER- (USED ON ITEMS 7A, 7B, 8A, 8B)	A,M,A L-AX	2
42	BACF3F008E080NN		..FILLER	A,M,A L-AX	2
44	BACF3F008E200NN		..FILLER	A,M,A L-AX	1
46	BACR15BA3AD		..RIVET- (SIZE DETERMINE ON INST) (USED WITH ITEMS 48, 49B, 50)	A,M,A L-AX	114
46A	BACR15BA3AD		..RIVET- (SIZE DETERMINE ON INST) (USED WITH ITEMS 49, 49A)	A,M,A L-AX	8
48	BACN10JQ32		..NUTPLATE	A,M,A L-AX	51
49	BRFM20A3		..NUTPLATE- (V52828) (SPEC BACN10JN3) (OPT MF1000-3BAC (V15653)) (OPT NS103218-02 (V80539)) (OPT RMF9201M3 (V72962)) (OPT VN252A02 (V92215)) (OPT MF1000-3BAC (V15653)) (OPT MF53049-3 (V15653)) (REPLD BY ITEM 49B)	A,M,A L-AX	3

57-43-51

 ILLUSTRATED PARTS LIST
 01.1 Page 1066B
 Mar 01/04

FIG. & ITEM	PART NO.	AIRLINE PART NUMBER	NOMENCLATURE 1234567	EFF CODE	QTY PER ASSY
02-49A	NS103225-02		..NUTPLATE- (V80539) (SPEC BACN10KH3) (OPT RMF9209M3 (V72962)) (OPT RMF9209M3 (V72962)) (REPLD BY ITEM 49B)	A,M,A L-AX	1
49B	BACN10JQ32		..NUTPLATE- (REPLS ITEMS 49, 49A)	A,M,A L-AX	4
50	NS103225-02		..NUTPLATE- (V80539) (SPEC BACN10KH3) (OPT RMF9209M3 (V72962)) (OPT RMF9209M3 (V72962))	A,M,A L-AX	2
52	BACB30NT3K3		..BOLT	A,M,A L-AX	2
54	BACB30NT3K4		..BOLT	A,M,A L-AX	8
56	BACB30NN3K4		..BOLT	A,M,A L-AX	2
58	AN960PD10L		..WASHER	A,M,A L-AX	22
60	H10-3BAC		..NUT- (V15653) (SPEC BACN10JC3) (OPT NS202101-02 (V80539)) (OPT RMLH9075-3W (V72962)) (OPT T6S1032J (V71087)) (OPT VN303A02 (V92215)) (OPT 96-02 (V80539)) (OPT BRH10A3 (V52828))	A,M,A L-AX	12

57-43-51

FIG. & ITEM	PART NO.	AIRLINE PART NUMBER	NOMENCLATURE 1234567	EFF CODE	QTY PER ASSY
02-62	114T4233-31		..RETAINER-SEAL	A,M,A L-AX	2
64	114T4234-11		..SEAL-BULB (MFD FROM EXTR RUBBER F25.01 10-60754-15 1.50 IN.)	A,M,A L-AX	1
66	114T4234-12		..SEAL-BULB (MFD FROM EXTR RUBBER F25.01 10-60754-15 1.50 IN.)	A,M,A L-AX	1
68	114T4235-2		..RETAINER-SEAL	A,M,A L-AX	1
70	114T4234-5		..SEAL-BULB (MFD FROM EXTR RUBBER F25.01 10-60754-15 9.50 IN.)	A,A L-AR	1
-72	114T4234-6		..SEAL-BULB (MFD FROM EXTR RUBBER F25.01 10-60754-15 9.50 IN.)	M,A S-AX	1
74	114T4235-3		..RETAINER-SEAL	A,M,A L-AX	1
76	114T4234-3		..SEAL-BULB (MFD FROM EXTR RUBBER F25.01 10-60754-15 10.20 IN.)	A,A L-AR	1
-78	114T4234-4		..SEAL-BULB (MFD FROM EXTR RUBBER F25.01 10-60754-15 10.20 IN.)	M,A S-AX	1
80	114T4224-3		..SEAL-MOLDED BULB	A,M,A L-AX	1

57-43-51

 ILLUSTRATED PARTS LIST
 01.1 Page 1066D
 Mar 01/04

FIG. & ITEM	PART NO.	AIRLINE PART NUMBER	NOMENCLATURE 1234567	EFF CODE	QTY PER ASSY
02-82	114T4236-3		..SEAL-SPONGE (MFD FROM SH SPONGE RUBBER BMS1-23 20.60 IN. 1.00 IN 2.60 IN.)	A,M,A L-AX	1
84	114T4224-4		..SEAL-MOLDED BULB	A,M,A L-AX	1
86	114T4236-4		..SEAL-SPONGE (MFD FROM SH SPONGE RUBBER BMS1-23 20.73 IN. 1.00 IN 3.10 IN.)	A,M,A L-AX	1
88	BACB30NN3K3		..BOLT- (REPLD BY ITEM 88A) (USED ON ITEMS 7, 8)	A,M,A L-AX	1
88A	BACB30NU3K5		..BOLT- (REPLS ITEM 88) (USED ON ITEMS 7, 8)	A,M,A L-AX	1
89	BACB30NU3K5		..BOLT- (USED ON ITEMS 7A, 7B, 8A, 8B)	A,M,A L-AX	1
90	BACR15CE5KE		..RIVET- (SIZE DETERMINE ON INST)	A,M,A L-AX	16
92	114T4225-5		..RETAINER-SEAL	A,M,A L-AX	1
94	114T4225-6		..RETAINER-SEAL	A,M,A L-AX	1
96	BACR15BA3AD		..RIVET- (SIZE DETERMINE ON INST) (USED WITH ITEM 97)	A,M,A L-AX	2
96A	BACR15BA3AD		..RIVET- (SIZE DETERMINE ON INST) (USED WITH 97A, 98)	A,M,A L-AX	4

57-43-51

FIG. & ITEM	PART NO.	AIRLINE PART NUMBER	NOMENCLATURE 1234567	EFF CODE	QTY PER ASSY
02-97	NS103225-02		..NUTPLATE- (V80539) (SPEC BACN10KH3) (OPT RMF9209M3 (V72962)) (OPT RMF9209M3 (V72962)) (REPLD BY ITEM 97A)	A,M,A L-AX	1
97A	BRFM22A3-3		..NUTPLATE- (V52828) (SPEC BACN10JQ33) (OPT MF19058-3-3BAC (V15653)) (REPLS ITEM 97)	A,M,A L-AX	1
98	BRFM22A3-3		..NUTPLATE- (V52828) (SPEC BACN10JQ33) (OPT MF19058-3-3BAC (V15653))	A,M,A L-AX	1
100	114T4226-2		..SEAL-WEDGE	A,M,A L-AX	2
102	114T4231-27		..RETAINER- (USED ON ITEMS 7, 8)	A,M,A L-AX	1
102A	114T4242-9		..RETAINER- (USED ON ITEMS 7A, 7B, 8A, 8B)	A,M,A L-AX	1
104	114T4231-28		..RETAINER- (USED ON ITEMS 7, 8)	A,M,A L-AX	1
104A	114T4242-10		..RETAINER- (USED ON ITEMS 7A, 7B, 8A, 8B)	A,M,A L-AX	1

57-43-51

 ILLUSTRATED PARTS LIST
 01.1 Page 1066F
 Mar 01/04

FIG. & ITEM	PART NO.	AIRLINE PART NUMBER	NOMENCLATURE 1234567	EFF CODE	QTY PER ASSY
02-106	BACB30NN3K6		..BOLT- (OPT ITEM 106A) (USED ON ITEMS 7, 8)	A,M,A L-AX	2
-106A	BACB30LR3-6		..BOLT- (OPT ITEM 106) (USED ON ITEMS 7, 8)	A,M,A L-AX	2
-106G	BACB30NN3K6		..BOLT- (USED ON ITEMS 7A, 7B, 8A, 8B)	A,M,A L-AX	2
108	AN960PD10L		..WASHER	A,M,A L-AX	2
110	H10-3BAC		..NUT- (V15653) (SPEC BACN10JC3) (OPT NS202101-02 (V80539)) (OPT RMLH9075-3W (V72962)) (OPT T6S1032J (V71087)) (OPT VN303A02 (V92215)) (OPT 96-02 (V80539)) (OPT BRH10A3 (V52828))	A,M,A L-AX	2
112	114T4235-8		..RETAINER	A,M,A L-AX	1
114	114T4237-9		..SEAL	A,A L-AR	1
-116	114T4237-10		..SEAL	M,A S-AX	1
118	BACB30NN3K5		..BOLT	A,M,A L-AX	4
120	BACB30NN3K4		..BOLT	A,M,A L-AX	25
122	AN960PD10L		..WASHER	A,M,A L-AX	24

57-43-51

FIG. & ITEM	PART NO.	AIRLINE PART NUMBER	NOMENCLATURE 1234567	EFF CODE	QTY PER ASSY
02-124	H10-3BAC		..NUT- (V15653) (SPEC BACN10JC3) (OPT NS202101-02 (V80539)) (OPT RMLH9075-3W (V72962)) (OPT T6S1032J (V71087)) (OPT VN303A02 (V92215)) (OPT 96-02 (V80539)) (OPT BRH10A3 (V52828))	A,M,A L-AX	24
126	BACR15BA3AD		..RIVET- (SIZE DETERMINE ON INST)	A,M,A L-AX	10
128	BRFM20A3		..NUTPLATE- (V52828) (SPEC BACN10JN3) (OPT MF1000-3BAC (V15653)) (OPT NS103218-02 (V80539)) (OPT RMF9201M3 (V72962)) (OPT VN252A02 (V92215)) (OPT MF1000-3BAC (V15653)) (OPT MF53049-3 (V15653))	A,M,A L-AX	5
130	114T4231-2		..RETAINER-SEAL	A,M,A L-AX	1
132	114T4231-6		..RETAINER-SEAL	A,M,A L-AX	1
134	114T4231-10		..RETAINER-SEAL	A,M,A L-AX	1

57-43-51

 ILLUSTRATED PARTS LIST
 01.1 Page 1066H
 Mar 01/04

FIG. & ITEM	PART NO.	AIRLINE PART NUMBER	NOMENCLATURE 1234567	EFF CODE	QTY PER ASSY
02-136	114T4231-14		..RETAINER-SEAL	A,M,A L-AX	1
138	114T4230-2		..SEAL-WEATHER (MFD FROM SH RUBBER BMS1-50 TYPE II GRADE 60 F25.01 0.094 IN. 1.25 IN. 7.20 IN.)	A,M,A L-AX	1
140	114T4230-6		..SEAL-WEATHER (MFD FROM SH RUBBER BMS1-50 TYPE II GRADE 60 F25.01 0.094 IN. 1.25 IN. 7.50 IN.)	A,M,A L-AX	1
142	114T4230-10		..SEAL-WEATHER (MFD FROM SH RUBBER BMS1-50 TYPE II GRADE 60 F25.01 0.094 IN. 1.25 IN. 3.95 IN.)	A,M,A L-AX	1
144	114T4230-14		..SEAL-WEATHER (MFD FROM SH RUBBER BMS1-50 TYPE II GRADE 60 F25.01 0.094 IN. 1.25 IN. 2.85 IN.)	A,M,A L-AX	1
146	114T4231-3		..RETAINER-SEAL	A,M,A L-AX	1
148	114T4231-7		..RETAINER-SEAL	A,M,A L-AX	1
150	114T4231-11		..RETAINER-SEAL	A,M,A L-AX	1

57-43-51

FIG. & ITEM	PART NO.	AIRLINE PART NUMBER	NOMENCLATURE 1234567	EFF CODE	QTY PER ASSY
02-152	114T4231-15		..RETAINER-SEAL	A,M,A L-AX	1
154	114T4230-3		..SEAL-WEATHER (MFD FROM SH RUBBER BMS1-50 TYPE II GRADE 60 F25.01 0.094 IN. 1.25 IN. 7.45 IN.)	A,M,A L-AX	1
156	114T4230-7		..SEAL-WEATHER (MFD FROM SH RUBBER BMS1-50 TYPE II GRADE 60 F25.01 0.094 IN. 1.25 IN. 7.90 IN.)	A,M,A L-AX	1
158	114T4230-11		..SEAL-WEATHER (MFD FROM SH RUBBER BMS1-50 TYPE II GRADE 60 F25.01 0.094 IN. 1.25 IN. 5.00 IN.)	A,M,A L-AX	1
160	114T4230-15		..SEAL-WEATHER (MFD FROM SH RUBBER BMS1-50 TYPE II GRADE 60 F25.01 0.094 IN. 1.25 IN. 1.70 IN.)	A,M,A L-AX	1
162	BACB30NU3K5		..BOLT	A,M,A L-AX	11
164	BACB30NT3K3		..BOLT	A,M,A L-AX	1
166	BACB30NT3K5		..BOLT	A,M,A L-AX	20

57-43-51

 ILLUSTRATED PARTS LIST
 01.1 Page 1066J
 Mar 01/04

FIG. & ITEM	PART NO.	AIRLINE PART NUMBER	NOMENCLATURE 1234567	EFF CODE	QTY PER ASSY
02-168	BACR15FT5AD		..RIVET- (SIZE DETERMINE ON INST)	A,M,A L-AX	7
170	114T4263-1		..PANEL-COVE	A,A L-AR	1
-172	114T4263-2		..PANEL-COVE	M,A S-AX	1
174	BACR15BA3AD		..RIVET- (SIZE DETERMINE ON INST) (USED WITH ITEMS 176, 178, 177, 180, 182)	A,M,A L-AX	52
174A	BACR15BA3AD		..RIVET- (SIZE DETERMINE ON INST) (USED WITH ITEM 177A)	A,M,A L-AX	4
176	BRFM22A3-3		..NUTPLATE- (V52828) (SPEC BACN10JQ33) (OPT MF19058-3-3BAC (V15653))	A,M,A L-AX	8
177	BRFM22A3-3		..NUTPLATE- (V52828) (SPEC BACN10JQ33) (OPT MF19058-3-3BAC (V15653)) (REPLS ITEM 177A)	A,M,A L-AX	2
177A	NS103225-02		..NUTPLATE- (V80539) (SPEC BACN10KH3) (OPT RMF9209M3 (V72962)) (OPT RMF9209M3 (V72962)) (REPLD BY ITEM 177)	A,M,A L-AX	2
178	BACN10JQ32		..NUTPLATE	A,M,A L-AX	1
180	BRFM22A4-3		..NUTPLATE- (V52828) (SPEC BACN10JQ34) (OPT MF19058-3-4BAC (V15653))	A,M,A L-AX	13

57-43-51

FIG. & ITEM	PART NO.	AIRLINE PART NUMBER	NOMENCLATURE 1234567	EFF CODE	QTY PER ASSY
02-182	NS103225-02		..NUTPLATE- (V80539) (SPEC BACN10KH3) (OPT RMF9209M3 (V72962)) (OPT RMF9209M3 (V72962))	A,M,A L-AX	2
184	BACB30NN3K6		..BOLT- (OPT ITEM 184A) (USED ON ITEMS 7, 8)	A,M,A L-AX	18
-184A	BACB30LR3-6		..BOLT- (OPT ITEM 184) (USED ON ITEMS 7, 8)	A,M,A L-AX	18
-184G	BACB30NN3K6		..BOLT- (USED ON ITEMS 7A, 7B, 8A, 8B)	A,M,A L-AX	18
186	BACB30NT3K7		..BOLT	A,M,A L-AX	59
188	114T4263-3		..PANEL-COVE	A,A L-AR	1
-190	114T4263-4		..PANEL-COVE	M,A S-AX	1
192	114T4110-37		..STIFFENER-COVE PNL	A,M,A L-AX	1
194	BACR15BA5AD		..RIVET- (SIZE DETERMINE ON INST)	A,M,A L-AX	2
196	114T4110-39		..STIFFENER-COVE PNL	A,A L-AR	1
-197	114T4110-40		..STIFFENER-COVE PNL	M,A S-AX	1
198	BACR15BA3AD		..RIVET- (SIZE DETERMINE ON INST)	A,M,A L-AX	114
200	BRFM22A3-3		..NUTPLATE- (V52828) (SPEC BACN10JQ33) (OPT MF19058-3-3BAC (V15653))	A,M,A L-AX	3
204	BRFM22A4-3		..NUTPLATE- (V52828) (SPEC BACN10JQ34) (OPT MF19058-3-4BAC (V15653))	A,M,A L-AX	13

57-43-51

 ILLUSTRATED PARTS LIST
 01.1 Page 1066L
 Mar 01/04

FIG. & ITEM	PART NO.	AIRLINE PART NUMBER	NOMENCLATURE 1234567	EFF CODE	QTY PER ASSY
02-206	BRFM22A5-3		..NUTPLATE- (V52828) (SPEC BACN10JQ35) (OPT MF19058-3-5BAC (V15653))	A,M,A L-AX	27
208	BACN10JQ36		..NUTPLATE	A,M,A L-AX	10
210	NS103225-02		..NUTPLATE- (V80539) (SPEC BACN10KH3) (OPT RMF9209M3 (V72962)) (OPT RMF9209M3 (V72962))	A,M,A L-AX	4
212	BACB30NU3K5		..BOLT	A,M,A L-AX	8
214	BACB30NT3K3		..BOLT	A,M,A L-AX	2
216	BACB30NT3K5		..BOLT	A,M,A L-AX	3
218	BACB30NT3K6		..BOLT	A,M,A L-AX	1
220	AN960PD10		..WASHER	A,M,A L-AX	2
222	H10-3BAC		..NUT- (V15653) (SPEC BACN10JC3) (OPT NS202101-02 (V80539)) (OPT RMLH9075-3W (V72962)) (OPT T6S1032J (V71087)) (OPT VN303A02 (V92215)) (OPT 96-02 (V80539)) (OPT BRH10A3 (V52828))	A,M,A L-AX	2

57-43-51

FIG. & ITEM	PART NO.	AIRLINE PART NUMBER	NOMENCLATURE 1234567	EFF CODE	QTY PER ASSY
02-224	BACR15FT6AD		..RIVET- (SIZE DETERMINE ON INST)	A,M,A L-AX	35
226	114T4103-11		..FILLER	A,M,A L-AX	1
228	114T4263-5		..PANEL-COVE	A,A L-AR	1
-230	114T4263-6		..PANEL-COVE	M,A S-AX	1
232	114T4110-41		..STIFFENER-COVE PNL	A,M,A L-AX	1
234	BACR15BA3AD		..RIVET- (SIZE DETERMINE ON INST)	A,M,A L-AX	24
236	BACN10JQ32		..NUTPLATE	A,M,A L-AX	2
238	BRFM22A3-3		..NUTPLATE- (V52828) (SPEC BACN10JQ33) (OPT MF19058-3-3BAC (V15653))	A,M,A L-AX	4
240	NS103225-02		..NUTPLATE- (V80539) (SPEC BACN10KH3) (OPT RMF9209M3 (V72962)) (OPT RMF9209M3 (V72962))	A,M,A L-AX	6
242	BACB30NN3K6		..BOLT- (OPT ITEM 242A) (USED ON ITEMS 7, 8)	A,M,A L-AX	5
-242A	BACB30LR3-6		..BOLT- (OPT ITEM 242) (USED ON ITEMS 7, 8)	A,M,A L-AX	5
-242G	BACB30NN3K6		..BOLT- (USED ON ITEMS 7A, 7B, 8A, 8B)	A,M,A L-AX	5

57-43-51

 ILLUSTRATED PARTS LIST
 01.1 Page 1066N
 Mar 01/04

FIG. & ITEM	PART NO.	AIRLINE PART NUMBER	NOMENCLATURE 1234567	EFF CODE	QTY PER ASSY
02-244	BACB30NT3K7		..BOLT	A,M,A L-AX	20
246	114T4263-7		..PANEL-COVE	A,A L-AR	1
-248	114T4263-8		..PANEL-COVE	M,A S-AX	1
250	114T4110-43		..STIFFENER-COVE PNL	A,M,A L-AX	1
252	BACR15RA3AD		..RIVET- (SIZE DETERMINE ON INST)	A,M,A L-AX	50
254	BRFM22A3-3		..NUTPLATE- (V52828) (SPEC BACN10JQ33) (OPT MF19058-3-3BAC (V15653))	A,M,A L-AX	1
256	BRFM22A4-3		..NUTPLATE- (V52828) (SPEC BACN10JQ34) (OPT MF19058-3-4BAC (V15653))	A,M,A L-AX	4
258	BRFM22A5-3		..NUTPLATE- (V52828) (SPEC BACN10JQ35) (OPT MF19058-3-5BAC (V15653))	A,M,A L-AX	14
260	BACN10JQ36		..NUTPLATE	A,M,A L-AX	6
262	BACB30NT3K6		..BOLT	A,M,A L-AX	12
264	BACB30NT3K7		..BOLT	A,M,A L-AX	6

57-43-51

ILLUSTRATED PARTS LIST
01.1 Page 10660
Mar 01/04

FIG. & ITEM	PART NO.	AIRLINE PART NUMBER	NOMENCLATURE 1234567	EFF CODE	QTY PER ASSY
02-266	114T4177-3		..STRAP	A,M,A L-AX	1
268	114T4302-1		DELETED		
268A	114T4302-3		DELETED		
268B	114T4302-4		..FITTING-ALIGNMENT	A,M,A L-AX	1
270	BACB30NU3K5		..BOLT	A,M,A L-AX	12
272	BACB30NN3K6		..BOLT- (OPT ITEM 272A) (USED ON ITEMS 7, 8)	A,M,A L-AX	2
-272A	BACB30LR3-6		..BOLT- (OPT ITEM 272) (USED ON ITEMS 7, 8)	A,M,A L-AX	2
-272G	BACB30NN3K6		..BOLT- (USED ON ITEMS 7A, 7B, 8A, 8B)	A,M,A L-AX	2
274	BACB30NT3K3		..BOLT	A,M,A L-AX	2
276	BACR15FT5AD		..RIVET- (SIZE DETERMINE ON INST)	A,M,A L-AX	31
277	BACR15FT5AD		..RIVET- (SIZE DETERMINE ON INST) (REPLS ITEM 277A)	A,M,A L-AX	2
277A	BACB30NT3K4		..BOLT- (REPLD BY ITEM 277)	A,M,A L-AX	2
278	114T4263-9		..PANEL-COVE	A,A L-AR	1
-280	114T4263-10		..PANEL-COVE	M,A S-AX	1
282	114T4110-45		..STIFFENER	A,M,A L-AX	1
284	BACR15BA3AD		..RIVET- (SIZE DETERMINE ON INST) (USED WITH ITEMS 286, 287, 288, 290, 292)	A,M,A L-AX	64
284A	BACR15BA3AD		..RIVET- (SIZE DETERMINE ON INST) (USED WITH ITEM 286A)	A,M,A L-AX	2
284B	BACR15BA3AD		..RIVET- (SIZE DETERMINE ON INST) (USED WITH ITEM 286B)	A,M,A L-AX	4

57-43-51

 ILLUSTRATED PARTS LIST
 01.1 Page 1066P
 Mar 01/04

FIG. & ITEM	PART NO.	AIRLINE PART NUMBER	NOMENCLATURE 1234567	EFF CODE	QTY PER ASSY
02-286	BRFM22A3-3		..NUTPLATE- (V52828) (SPEC BACN10JQ33) (OPT MF19058-3-3BAC (V15653)) (REPLS ITEM 286A)	A,M,A L-AX	1
286A	NS103225-02		..NUTPLATE- (V80539) (SPEC BACN10KH3) (OPT RMF9209M3 (V72962)) (OPT RMF9209M3 (V72962)) (REPLD BY ITEM 286)	A,M,A L-AX	1
286B	BRFM22A3-3		..NUTPLATE- (V52828) (SPEC BACN10JQ33) (OPT MF19058-3-3BAC (V15653)) (USED WITH ITEM 277A)	A,M,A L-AX	2
287	BRFM22A3-3		..NUTPLATE- (V52828) (SPEC BACN10JQ33) (OPT MF19058-3-3BAC (V15653))	A,M,A L-AX	17
288	BACN10JQ32		..NUTPLATE	A,M,A L-AX	2
290	BRFM20A3		..NUTPLATE- (V52828) (SPEC BACN10JN3) (OPT MF1000-3BAC (V15653)) (OPT NS103218-02 (V80539)) (OPT RMF9201M3 (V72962)) (OPT VN252A02 (V92215)) (OPT MF1000-3BAC (V15653)) (OPT MF53049-3 (V15653))	A,M,A L-AX	2

57-43-51

FIG. & ITEM	PART NO.	AIRLINE PART NUMBER	NOMENCLATURE 1234567	EFF CODE	QTY PER ASSY
02-292	NS103225-02		..NUTPLATE- (V80539) (SPEC BACN10KH3) (OPT RMF9209M3 (V72962)) (OPT RMF9209M3 (V72962))	A,M,A L-AX	12
294	NAS1195DD3KM		..SHIM	A,M,A L-AX	6
296	114T4103-19		..SHIM	A,M,A L-AX	8
298	BACB30NN3K6		..BOLT- (OPT ITEM 298A) (USED ON ITEMS 7, 8)	A,M,A L-AX	5
-298A	BACB30LR3-6		..BOLT- (OPT ITEM 298) (USED ON ITEMS 7, 8)	A,M,A L-AX	5
-298G	BACB30NN3K6		..BOLT- (USED ON ITEMS 7A, 7B, 8A, 8B)	A,M,A L-AX	5
300	BACB30NT3K7		..BOLT	A,M,A L-AX	20
302	114T4263-11		..PANEL-COVE	A,A L-AR	1
-304	114T4263-12		..PANEL-COVE	M,A S-AX	1
306	114T4110-47		..STIFFENER	A,M,A L-AX	1
308	BACK15BA3AD		..RIVET- (SIZE DETERMINE ON INST)	A,M,A L-AX	50

57-43-51

 ILLUSTRATED PARTS LIST
 01.1 Page 1066R
 Mar 01/04

FIG. & ITEM	PART NO.	AIRLINE PART NUMBER	NOMENCLATURE 1234567	EFF CODE	QTY PER ASSY
02-310	BRFM22A3-3		..NUTPLATE- (V52828) (SPEC BACN10JQ33) (OPT MF19058-3-3BAC (V15653))	A,M,A L-AX	2
312	BRFM22A4-3		..NUTPLATE- (V52828) (SPEC BACN10JQ34) (OPT MF19058-3-4BAC (V15653))	A,M,A L-AX	3
314	BRFM22A5-3		..NUTPLATE- (V52828) (SPEC BACN10JQ35) (OPT MF19058-3-5BAC (V15653))	A,M,A L-AX	14
316	BACN10JQ36		..NUTPLATE	A,M,A L-AX	6
318	BACB30NU3K5		..BOLT	A,M,A L-AX	8
320	BACB30NT3K3		..BOLT	A,M,A L-AX	2
322	BACB30NT3K5		..BOLT	A,M,A L-AX	3
324	BACB30NT3K6		..BOLT	A,M,A L-AX	1
326	AN960PD10		..WASHER	A,M,A L-AX	2
328	H10-3BAC		..NUT- (V15653) (SPEC BACN10JC3) (OPT NS202101-02 (V80539)) (OPT RMLH9075-3W (V72962)) (OPT T6S1032J (V71087)) (OPT VN303A02 (V92215)) (OPT 96-02 (V80539)) (OPT BRH10A3 (V52828))	A,M,A L-AX	2

57-43-51

FIG. & ITEM	PART NO.	AIRLINE PART NUMBER	NOMENCLATURE 1234567	EFF CODE	QTY PER ASSY
02-330	114T4103-11		..FILLER	A,M,A L-AX	1
332	BACR15FT5AD		..RIVET- (SIZE DETERMINE ON INST)	A,M,A L-AX	38
334	114T4263-13		..PANEL-COVE	A,A L-AR	1
-336	114T4263-14		..PANEL-COVE	M,A S-AX	1
338	114T4110-49		..STIFFENER	A,M,A L-AX	1
340	BACR15BA3AD		..RIVET- (SIZE DETERMINE ON INST)	A,M,A L-AX	24
342	BACN10JQ32		..NUTPLATE	A,M,A L-AX	2
344	BRFM22A3-3		..NUTPLATE- (V52828) (SPEC BACN10JQ33) (OPT MF19058-3-3BAC (V15653))	A,M,A L-AX	4
346	NS103225-02		..NUTPLATE- (V80539) (SPEC BACN10KH3) (OPT RMF9209M3 (V72962)) (OPT RMF9209M3 (V72962))	A,M,A L-AX	6
348	BACB30NN3K6		..BOLT- (OPT ITEM 348A) (USED ON ITEMS 7, 8)	A,M,A L-AX	16
-348A	BACB30LR3-6		..BOLT- (OPT ITEM 348) (USED ON ITEMS 7, 8)	A,M,A L-AX	16
-348G	BACB30NN3K6		..BOLT- (USED ON ITEMS 7A, 7B, 8A, 8B)	A,M,A L-AX	16

57-43-51

 ILLUSTRATED PARTS LIST
 01.1 Page 1066T
 Mar 01/04

FIG. & ITEM	PART NO.	AIRLINE PART NUMBER	NOMENCLATURE 1234567	EFF CODE	QTY PER ASSY
02-350	BACB30NT3K7		..BOLT	A,M,A L-AX	59
352	114T4263-15		..PANEL-COVE	A,A L-AR	1
-354	114T4263-16		..PANEL-COVE	M,A S-AX	1
356	BACR15BA5AD		..RIVET- (SIZE DETERMINE ON INST)	A,M,A L-AX	2
358	114T4110-53		..STIFFENER-COVE PNL	A,A L-AR	1
-360	114T4110-54		..STIFFENER-COVE PNL	M,A S-AX	1
362	114T4110-51		..STIFFENER-COVE PNL	A,M,A L-AX	1
364	BACR15BA3AD		..RIVET- (SIZE DETERMINE ON INST)	A,M,A L-AX	114
366	BRFM22A3-3		..NUTPLATE- (V52828) (SPEC BACN10JQ33) (OPT MF19058-3-3BAC (V15653))	A,M,A L-AX	3
368	BRFM22A4-3		..NUTPLATE- (V52828) (SPEC BACN10JQ34) (OPT MF19058-3-4BAC (V15653))	A,M,A L-AX	14
370	BRFM22A5-3		..NUTPLATE- (V52828) (SPEC BACN10JQ35) (OPT MF19058-3-5BAC (V15653))	A,M,A L-AX	26
372	BACN10JQ36		..NUTPLATE	A,M,A L-AX	10
374	NS103225-02		..NUTPLATE- (V80539) (SPEC BACN10KH3) (OPT RMF9209M3 (V72962)) (OPT RMF9209M3 (V72962))	A,M,A L-AX	4

57-43-51

FIG. & ITEM	PART NO.	AIRLINE PART NUMBER	NOMENCLATURE 1234567	EFF CODE	QTY PER ASSY
02-376	BACB30NU3K5		..BOLT	A,M,A L-AX	11
378	BACB30NT3K3		..BOLT	A,M,A L-AX	1
380	BACB30NT3K5		..BOLT	A,M,A L-AX	20
382	BACR15FT5AD		..RIVET- (SIZE DETERMINE ON INST)	A,M,A L-AX	8
384	114T4263-17		..PANEL-COVE	A,A L-AR	1
-386	114T4263-18		..PANEL-COVE	M,A S-AX	1
388	114T4110-55		..STIFFENER-COVE PNL	A,M,A L-AX	1
390	BACR15BA3AD		..RIVET- (SIZE DETERMINE ON INST) (USED WITH ITEMS 392, 393, 394, 396, 398)	A,M,A L-AX	50
390A	BACR15BA3AD		..RIVET- (SIZE DETERMINE ON INST) (USED WITH ITEMS 392A, 392B)	A,M,A L-AX	6
392	BRFM22A3-3		..NUTPLATE- (V52828) (SPEC BACN10JQ33) (OPT MF19058-3-3BAC (V15653)) (REPLS ITEMS 392A, 392B)	A,M,A L-AX	3

57-43-51

 ILLUSTRATED PARTS LIST
 01.1 Page 1066V
 Mar 01/04

FIG. & ITEM	PART NO.	AIRLINE PART NUMBER	NOMENCLATURE 1234567	EFF CODE	QTY PER ASSY
02-392A	BRFM20A3		..NUTPLATE- (V52828) (SPEC BACN10JN3) (OPT MF1000-3BAC (V15653)) (OPT NS103218-02 (V80539)) (OPT RMF9201M3 (V72962)) (OPT VN252A02 (V92215)) (OPT MF1000-3BAC (V15653)) (OPT MF53049-3 (V15653)) (REPLD BY ITEM 392)	A,M,A L-AX	2
392B	NS103225-02		..NUTPLATE- (V80539) (SPEC BACN10KH3) (OPT RMF9209M3 (V72962)) (OPT RMF9209M3 (V72962)) (REPLD BY ITEM 392)	A,M,A L-AX	1
393	BRFM22A3-3		..NUTPLATE- (V52828) (SPEC BACN10JQ33) (OPT MF19058-3-3BAC (V15653))	A,M,A L-AX	7

57-43-51

ILLUSTRATED PARTS LIST
 01.1 Page 1066W
 Mar 01/04

FIG. & ITEM	PART NO.	AIRLINE PART NUMBER	NOMENCLATURE 1234567	EFF CODE	QTY PER ASSY
02-394	BACN10JQ32		..NUTPLATE	A,M,A L-AX	1
396	BRFM22A4-3		..NUTPLATE- (V52828) (SPEC BACN10JQ34) (OPT MF19058-3-4BAC (V15653))	A,M,A L-AX	12
398 398A	BACN10KH NS103225-02		DELETED ..NUTPLATE- (V80539) (SPEC BACN10KH3) (OPT RMF9209M3 (V72962)) (OPT F29779-3 (V15653))	A,M,A L-AX	2
400	BACB30NW6K		..BOLT- (SIZE DETERMINE ON INST)	A,M,A L-AX	30
401	HL11VAZ6-4		..BOLT- (V60516) (SPEC BACB30NW6K4) (OPT HL11V6-4 (V92215)) (OPT HL11V6-4 (V97928)) (OPT L803-6-4 (V06725)) (OPT B30NW6K4 (V97928)) (OPT HL11VAZ6-4 (V73197)) (OPT HL11VAZ6-4 (V92215)) (OPT HL11VAZ6-4 (V56878)) (SIZE DETERMINE ON INST) (REWORK DWG 114T4183-1, 114T4183-2)	A,M,A L-AX	4
402	AN960PD10		..WASHER	A,M,A L-AX	16

57-43-51

 ILLUSTRATED PARTS LIST
 01.1 Page 1066X
 Mar 01/04

FIG. & ITEM	PART NO.	AIRLINE PART NUMBER	NOMENCLATURE 1234567	EFF CODE	QTY PER ASSY
02-404	HL79-6		..COLLAR- (V5M902) (SPEC BACC30M6) (OPT HL79-6 (V73197)) (OPT HL79-6 (V92215)) (OPT 66014-6 (V56878)) (OPT HL79-6 (V56878))	A,M,A L-AX	34
406	BACR15CE5KE		..RIVET- (SIZE DETERMINE ON INST)	A,M,A L-AX	120
408	114T4101-23		..WASHER	A,M,A L-AX	39
410	BACB30NW5K		..BOLT- (SIZE DETERMINE ON INST) (REPLD BY ITEM 414)	A,M,A L-AX	10
412	HL79-5		..COLLAR- (V5M902) (SPEC BACC30M5) (OPT HL70-5 (V73197)) (OPT HL70-5 (V92215)) (OPT 66014-5 (V56878)) (OPT HL70-5 (V56878)) (USED WITH ITEM 410)	A,M,A L-AX	10
414	BACR15CE5KE		..RIVET- (SIZE DETERMINE ON INST) (REPLS ITEM 410)	A,M,A L-AX	10
416	114T4101-23		..WASHER- (USED WITH ITEM 414)	A,M,A L-AX	3
418	BACS40R09C09F		..SHIM	A,M,A L-AX	2
420	BACS40R09C19F		..SHIM	A,M,A L-AX	6
422	BACS40R09C17F		..SHIM	A,M,A L-AX	1
424	BACS40R08C34F		..SHIM- (USED WITH ITEMS 428, 432)	A,M,A L-AX	2

57-43-51

FIG. & ITEM	PART NO.	AIRLINE PART NUMBER	NOMENCLATURE 1234567	EFF CODE	QTY PER ASSY
02-426	BACS40R08C17F		..SHIM- (USED WITH ITEMS 428, 432)	A,M,A L-AX	1
428	114T4113-1		..WEDGE ASSY-TE (USED ON ITEM 7) (PRE SB 767-57A0039) (PRE SB 767-57A0057)	A	1
-428A	114T4113-17		..WEDGE ASSY-TE (POST SB 767-57A0057)	AL-AN	1
430	114T4113-7		..WEDGE ASSY-TE (USED ON ITEMS 7A, 7B) (OPT ITEM 430A) (PRE SB 767-57A0039) (PRE SB 767-57A0057)	A	1
-430A	114T4113-9		..WEDGE ASSY-TE (USED ON ITEMS 7A, 7B) (OPT ITEM 430) (PRE SB 767-57A0039) (PRE SB 767-57A0057)	A	1
-430B	114T4113-19		..WEDGE ASSY-TE (POST SB 767-57A0057)	AP-AR	1
-432	114T4113-2		..WEDGE ASSY-TE (USED ON ITEM 8) (PRE SB 767-57A0039) (PRE SB 767-57A0057)	M	1
-432A	114T4113-18		..WEDGE ASSY-TE (POST SB 767-57A0057)	AS-AU	1
-434	114T4113-8		..WEDGE ASSY-TE (USED ON ITEMS 8A, 8B) (OPT ITEM 434A) (PRE SB 767-57A0039) (PRE SB 767-57A0057)	M	1
-434A	114T4113-10		..WEDGE ASSY-TE (USED ON ITEMS 8A, 8B) (OPT ITEM 434) (PRE SB 767-57A0039) (PRE SB 767-57A0057)	M	1
-434B	114T4113-20		..WEDGE ASSY-TE (POST SB 767-57A0057)	AV-AX	1

57-43-51

 ILLUSTRATED PARTS LIST
 01.1 Page 1066Z
 Mar 01/04

FIG. & ITEM	PART NO.	AIRLINE PART NUMBER	NOMENCLATURE 1234567	EFF CODE	QTY PER ASSY
02-436	114T4175-3		..SHIELD-THRM BARRIER	A,M,A L-AX	2
438	114T4175-4		..SHIELD-THRM BARRIER	A,M,A L-AX	2
440	114T4175-31		..SHIELD-THRM BARRIER (USED ON ITEMS 7, 8)	A,M,A L-AX	1
440A	114T4175-15		..SHIELD-THRM BARRIER (USED ON ITEMS 7A, 7B, 8A, 8B)	A,M,A L-AX	1
444	114T4175-32		..SHIELD-THRM BARRIER (USED ON ITEMS 7, 8)	A,M,A L-AX	1
444A	114T4175-16		..SHIELD-THRM BARRIER (USED ON ITEMS 7A, 7B, 8A, 8B)	A,M,A L-AX	1
446	114T4175-33		..SHIELD-THRM BARRIER (USED ON ITEM 7)	A,A L-AR	1
446A	114T4175-18		..SHIELD-THRM BARRIER (USED ON ITEMS 7A, 7B)	A,A L-AR	1
448	114T4175-34		..SHIELD-THRM BARRIER (USED ON ITEM 8)	M,A S-AX	1
448A	114T4175-18		..SHIELD-THRM BARRIER (USED ON ITEMS 8A, 8B)	M,A S-AX	1
450	114T4175-17		..SHIELD-THRM BARRIER	A,M,A L-AX	1
452	114T4174-3		..SEAL-RUBBER	A,M,A L-AX	2
454	114T4174-7		..SEAL-RUBBER	A,M,A L-AX	2
456	114T4174-12		..SEAL-RUBBER	A,M,A L-AX	4
458	114T4174-13		..SEAL-RUBBER	A,M,A L-AX	2
460	114T4174-16		..SEAL-RUBBER	A,M,A L-AX	2

57-43-51

FIG. & ITEM	PART NO.	AIRLINE PART NUMBER	NOMENCLATURE 1234567	EFF CODE	QTY PER ASSY
02-462	114T4174-17		..SEAL-RUBBER	A,M,A L-AX	2
464	114T4174-18		..SEAL-RUBBER	A,M,A L-AX	1
467	114T4174-6		..SEAL-RUBBER (USED ON ITEMS 7, 8)	A,M,A L-AX	1
467A	114T4174-21		..SEAL-RUBBER (USED ON ITEMS 7A, 7B, 8A, 8B)	A,M,A L-AX	1
470	114T4174-10		..SEAL-RUBBER (USED ON ITEMS 7, 8)	A,M,A L-AX	1
470A	114T4174-20		..SEAL-RUBBER (USED ON ITEMS 7A, 7B, 8A, 8B)	A,M,A L-AX	1
474	114T4174-19		..SEAL-RUBBER (USED ON ITEMS 7, 8)	A,M,A L-AX	1
474A	114T4174-18		..SEAL-RUBBER (USED ON ITEMS 7A, 7B, 8A, 8B)	A,M,A L-AX	1
478	114T4173-3		..SEAL-SPONGE	A,M,A L-AX	13
480	114T4173-1		..SEAL-SPONGE (USED ON ITEMS 7, 8)	A,M,A L-AX	2
482	114T4173-2		..SEAL-SPONGE (USED ON ITEMS 7, 8)	A,M,A L-AX	3
484	114T4173-6		..SEAL-SPONGE (USED ON ITEMS 7, 8)	A,M,A L-AX	1
486	114T4173-3		..SEAL-SPONGE (USED ON ITEMS 7A, 7B, 8A, 8B)	A,M,A L-AX	3
488	114T4158-1		..PANEL ASSY-ACCESS	A,A L-AR	1

57-43-51

 ILLUSTRATED PARTS LIST
 01.1 Page 1068
 Mar 01/04

FIG. & ITEM	PART NO.	AIRLINE PART NUMBER	NOMENCLATURE 1234567	EFF CODE	QTY PER ASSY
02- -490	114T4158-2		..PANEL ASSY-ACCESS	M,A S-AX	1
492	BACB30NN3K5		ATTACHING PARTS ..BOLT	A,M,A L-AX	28
494	BACR15BA3AD		-----*----- ..RIVET- (SIZE DETERMINE ON INST)	A,M,A L-AX	48
496	BRFM22A4-3		..NUTPLATE- (V52828) (SPEC BACN10JQ34) (OPT MF19058-3-4BAC (V15653))	A,M,A L-AX	15
498	BRFM22A3-3		..NUTPLATE- (V52828) (SPEC BACN10JQ33) (OPT MF19058-3-3BAC (V15653))	A,M,A L-AX	7
500	NS103225-02		..NUTPLATE- (V80539) (SPEC BACN10KH3) (OPT RMF9209M3 (V72962)) (OPT RMF9209M3 (V72962))	A,M,A L-AX	2
502	NAS1195DD3KH		..SHIM	A,M,A L-AX	2
502A	114T4912-7		..FITTING-INSERT	A,A L-AR	1
-502G	114T4912-8		..FITTING-INSERT	M,A S-AX	1
503	BACR15BA3AD		..RIVET- (SIZE DETERMINE ON INST)	A,M,A L-AX	2
504	114T4158-3		..PANEL ASSY-ACCESS	A,A L-AR	1
-506	114T4158-4		..PANEL ASSY-ACCESS	M,A S-AX	1
508	BACB30NN3K5		ATTACHING PARTS ..BOLT -----*-----	A,M,A L-AX	27

57-43-51

FIG. & ITEM	PART NO.	AIRLINE PART NUMBER	NOMENCLATURE 1234567	EFF CODE	QTY PER ASSY
02-					
509	BACB30NW3K5		DELETED		
509A	BACB30NW3K5		DELETED		
509B	BACB30NN3K5		..BOLT- (USED WITH ITEM 515)	A,M,A L-AX	1
509C	BACB30NN3K5		..BOLT- (USED WITH ITEM 515A)	A,M,A L-AX	2
510	BACR15BA3AD		..RIVET- (SIZE DETERMINE ON INST) (USED WITH ITEMS 512, 514, 515A, 516)	A,M,A L-AX	50
510A	BACR15BA3AD		..RIVET- (SIZE DETERMINE ON INST) (USED WITH 515)	A,M,A L-AX	4
510G	BACR15BA3AD		..RIVET- (SIZE DETERMINE ON INST) (USED WITH ITEM 515A)	A,M,A L-AX	2
512	BRFM22A4-3		..NUTPLATE- (V52828) (SPEC BACN10JQ34) (OPT MF19058-3-4BAC (V15653))	A,M,A L-AX	15
514	BACN10JQ32		..NUTPLATE	A,M,A L-AX	6
515	NS103225-02		..NUTPLATE- (V80539) (SPEC BACN10KH3) (OPT RMF9209M3 (V72962)) (OPT RMF9209M3 (V72962)) (USED WITH ITEM 509B)	A,M,A L-AX	1

57-43-51

ILLUSTRATED PARTS LIST
01.1 Page 1068B
Mar 01/04

FIG. & ITEM	PART NO.	AIRLINE PART NUMBER	NOMENCLATURE 1234567	EFF CODE	QTY PER ASSY
02- -515A	BACN10JQ32		..NUTPLATE- (USED WITH ITEM 509C)	A,M,A L-AX	2
515G	NAS1195DD3KH		..SHIM- (USED WITH ITEM 515)	A,M,A L-AX	2
516	NS103225-02		..NUTPLATE- (V80539) (SPEC BACN10KH3) (OPT RMF9209M3 (V72962)) (OPT RMF9209M3 (V72962))	A,M,A L-AX	2
518	NAS1195DD3KH		..SHIM	A,M,A L-AX	2
518A	114T4912-9		..FITTING-INSERT	A,A L-AR	1
-518G	114T4912-10		..FITTING-INSERT	M,A S-AX	1
518M	BACR15BA3AD		..RIVET- (SIZE DETERMINE ON INST)	A,M,A L-AX	2
519	BACB30NN3K5		..BOLT	A,M,A L-AX	4
520	BACR15BA3AD		..RIVET- (SIZE DETERMINE ON INST)	A,M,A L-AX	8
522	BRFM22A3-3		..NUTPLATE- (V52828) (SPEC BACN10JQ33) (OPT MF19058-3-3BAC (V15653))	A,M,A L-AX	4
523	114T4183-8		..SEAL- (REWORK DWG 114T4183-1, 114T4183-2)	A,M,A L-AX	2
524	114T4604-17		DELETED		

57-43-51

FIG. & ITEM	PART NO.	AIRLINE PART NUMBER	NOMENCLATURE 1234567	EFF CODE	QTY PER ASSY
02-					
-524A	114T4604-5		DELETED		
-524B	114T4604-5		DELETED		
524C	114T4196-1		..RIB ASSY-ACTR (REWORK DWG 114T4183-1)	A,A L-AR	1
-526	114T4604-18		DELETED		
-526A	114T4604-6		DELETED		
-526B	114T4604-6		DELETED		
-526C	114T4196-2		..RIB ASSY-ACTR (REWORK DWG 114T4183-2)	M,A S-AX	1
527	BACB28AM07B020A		...BUSHING ATTACHING PARTS	A,M,A L-AX	1
528	BACB30NU3K5		DELETED		
528A	BACB28AP05P019		...BUSHING	A,M,A L-AX	1
529	114T4196-3		...RIB	A,A L-AR	1
530	AN960PD10		DELETED		
530A	114T4196-4		...RIB	M,A S-AX	1
532	H10-3BAC		DELETED		
534	BACB30NW5K		DELETED		
536	HL70-5		DELETED		
538	BACB30MY6K		DELETED		
540	HL79-6		DELETED		
542	BACR15FT5AD		DELETED		
543	BACB30NN3K6		..BOLT- (REWORK DWG 114T4183-1, 114T4183-2)	A,M,A L-AX	2
544	BACS40R09C19F		DELETED		
545	BACB30NT3K7		..BOLT- (REWORK DWG 114T4183-1, 114T4183-2)	A,M,A L-AX	16

57-43-51

FIG. & ITEM	PART NO.	AIRLINE PART NUMBER	NOMENCLATURE 1234567	EFF CODE	QTY PER ASSY
02- 546 547	BACS40R10C16F BACS40R10E20F		DELETED ..SHIM- (REWORK DWG 114T4183-1, 114T4183-2)	A,M,A L-AX	1
548 549	BACB28AM07B015A BACS40R18D20F		DELETED ..SHIM- (REWORK DWG 114T4183-1, 114T4183-2)	A,M,A L-AX	1
550 551	BACB28AP05P014 BACS40R08D31F		DELETED ..SHIM- (REWORK DWG 114T4183-1, 114T4183-2)	A,M,A L-AX	2
552	BACR15BA3AD		..RIVET- (SIZE DETERMINE ON INST) (REWORK DWG 114T4183-1, 114T4183-2)	A,M,A L-AX	36
553	BRFM22A3-3		..NUTPLATE- (V52828) (SPEC BACN10JQ33) (OPT MF19058-3-3BAC (V15653)) (REWORK DWG 114T4183-1, 114T4183-2)	A,M,A L-AX	8
554	BRFM22A4-3		..NUTPLATE- (V52828) (SPEC BACN10JQ34) (OPT MF19058-3-4BAC (V15653)) (REWORK DWG 114T4183-1, 114T4183-2)	A,M,A L-AX	2

57-43-51

FIG. & ITEM	PART NO.	AIRLINE PART NUMBER	NOMENCLATURE 1234567	EFF CODE	QTY PER ASSY
02-555	BRM200A3		..NUTPLATE- (V52828) (SPEC BACN10JP3A) (OPT MK1000-3BAC (V15653)) (OPT NS103197-02 (V80539)) (OPT RMA9201M3 (V72962)) (OPT T8076S1032 (V11815)) (OPT VN202A1-02 (V92215)) (REWORK DWG 114T4183-1, 114T4183-2)	A,M,A L-AX	8
556 556A	BACN10JQ35 NAS1195DD3XH		DELETED ..SHIM- (REWORK DWG 114T4183-1, 114T4183-2)	A,M,A L-AX	8
557	HL10VAZ5-5		..BOLT- (V60516) (SPEC BACB30MY5K5) (OPT B30MY5K5 (V97928)) (REWORK DWG 114T4183-1, 114T4183-2)	A,M,A L-AX	10
558 559	NS103225-02 HL79-5		DELETED ..COLLAR- (V5M902) (SPEC BACC30M5) (OPT HL70-5 (V73197)) (OPT HL70-5 (V92215)) (OPT 66014-5 (V56878)) (OPT HL70-5 (V56878)) (REWORK DWG 114T4183-1, 114T4183-2)	A,M,A L-AX	10

57-43-51

FIG. & ITEM	PART NO.	AIRLINE PART NUMBER	NOMENCLATURE 1234567	EFF CODE	QTY PER ASSY
02-560	NAS1195DD3KH		DELETED		
561	114T4138-1		..FITTING- (REWORK DWG 114T4183-1, 114T4183-2)	A,M,A L-AX	1
562	114T4604-19		DELETED		
-562A	114T4604-7		DELETED		
563	114T4138-2		..FITTING- (REWORK DWG 114T4183-1, 114T4183-2)	A,M,A L-AX	1
-564	114T4604-20		DELETED		
-564A	114T4604-8		DELETED		
566	114T4605-17		DELETED		
-566A	114T4605-5		DELETED		
-566B	114T4605-5		DELETED		
566C	114T4197-1		..RIB ASSY-ACTR (REWORK DWG 114T4183-1)	A,A L-AR	1
-568	114T4605-18		DELETED		
-568A	114T4605-6		DELETED		
-568B	114T4605-6		DELETED		
-568C	114T4197-2		..RIB ASSY-ACTR (REWORK DWG 114T4183-2)	M,A S-AX	1
569	BACB28AM07B020A		...BUSHING	A,M,A L-AX	1
570	BACB30NU3K5		DELETED		
571	BACB28AP05P019		...BUSHING	A,M,A L-AX	1

57-43-51

FIG. & ITEM	PART NO.	AIRLINE PART NUMBER	NOMENCLATURE 1234567	EFF CODE	QTY PER ASSY
02- 572	AN960PD10		DELETED		
573	114T4197-3		...RIB	A,A L-AR	1
574	H10-3BAC		DELETED		
-575	114T4197-4		...RIB	M,A S-AX	1
576	BACB30NW5K		DELETED		
577	BACB30NW6K		DELETED		
578	HL70-5		DELETED		
579	HL70-5		DELETED		
580	BACB30MY6K		DELETED		
581	BACB30NN3K6		..BOLT- (REWORK DWG 114T4183-1, 114T4183-2)	A,M,A L-AX	2
582	HL79-6		DELETED		
583	BACB30NT3K7		..BOLT- (REWORK DWG 114T4183-1, 114T4183-2)	A,M,A L-AX	18
584	BACR15FT5AD		DELETED		
585	BACS40R10E20F		..SHIM- (REWORK DWG 114T4183-1, 114T4183-2)	A,M,A L-AX	1
586	BACS40R09C19F		DELETED		
587	BACS40R19E20F		..SHIM- (REWORK DWG 114T4183-1, 114T4183-2)	A,M,A L-AX	1
588	BACS40R10C16F		DELETED		

57-43-51

 ILLUSTRATED PARTS LIST
 01.1 Page 1068H
 Mar 01/04

FIG. & ITEM	PART NO.	AIRLINE PART NUMBER	NOMENCLATURE 1234567	EFF CODE	QTY PER ASSY
02-589	BACS40R09D10F		..SHIM- (REWORK DWG 114T4183-1, 114T4183-2)	A,M,A L-AX	2
590	BACB28AM07B015A		DELETED		
592	BACB28AP05P014		DELETED		
594	BACR15BA3AD		..RIVET- (SIZE DETERMINE ON INST) (REWORK DWG 114T4183-1, 114T4183-2)	A,M,A L-AX	40
596	BRFM22A4-3		..NUTPLATE- (V52828) (SPEC BACN10JQ34) (OPT MF19058-3-4BAC (V15653)) (REWORK DWG 114T4183-1, 114T4183-2)	A,M,A L-AX	4
597	BRFM22A3-3		..NUTPLATE- (V52828) (SPEC BACN10JQ33) (OPT MF19058-3-3BAC (V15653)) (REWORK DWG 114T4183-1, 114T4183-2)	A,M,A L-AX	8
598 598A	BACN10JQ35 BRM200A3		DELETED ..NUTPLATE- (V52828) (SPEC BACN10JP3A) (OPT MK1000-3BAC (V15653)) (OPT NS103197-02 (V80539)) (OPT RMA9201M3 (V72962)) (OPT T8076S1032 (V11815)) (OPT VN202A1-02 (V92215)) (REWORK DWG 114T4183-1, 114T4183-2)	A,M,A L-AX	8

57-43-51

FIG. & ITEM	PART NO.	AIRLINE PART NUMBER	NOMENCLATURE 1234567	EFF CODE	QTY PER ASSY
02-599	NAS1195DD3XH		..SHIM- (REWORK DWG 114T4183-1, 114T4183-2)	A,M,A L-AX	8
600 600A	NS103225-02 HL10VAZ5-5		DELETED ..BOLT- (V60516) (SPEC BACB30MY5K5) (OPT B30MY5K5 (V97928)) (REWORK DWG 114T4183-1, 114T4183-2)	A,M,A L-AX	10
602 602A	NAS1195DD3KH HL79-5		DELETED ..COLLAR- (V5M902) (SPEC BACC30M5) (OPT HL70-5 (V73197)) (OPT HL70-5 (V92215)) (OPT 66014-5 (V56878)) (OPT HL70-5 (V56878)) (REWORK DWG 114T4183-1, 114T4183-2)	A,M,A L-AX	10
603	114T4139-1		..FITTING- (REWORK DWG 114T4183-1, 114T4183-2)	A,M,A L-AX	1
604 -604A 605	114T4605-19 114T4605-7 114T4139-2		DELETED DELETED ..FITTING- (REWORK DWG 114T4183-1, 114T4183-2)	A,M,A L-AX	1

57-43-51

 ILLUSTRATED PARTS LIST
 01.1 Page 1068J
 Mar 01/04

FIG. & ITEM	PART NO.	AIRLINE PART NUMBER	NOMENCLATURE 1234567	EFF CODE	QTY PER ASSY
02- -606 -606A 607	114T4605-20 114T4605-8 HL10VAZ6-7		DELETED DELETED ..BOLT- (V60516) (SPEC BACB30MY6K7) (OPT B30MY6K7 (V97928)) (REWORK DWG 114T4183-1, 114T4183-2)	A,M,A L-AX	4
608 608A	114T4404-5 H10-3BAC		DELETED ..NUT- (V15653) (SPEC BACN10JC3) (OPT NS202101-02 (V80539)) (OPT RMLH9075-3W (V72962)) (OPT T6S1032J (V71087)) (OPT VN303A02 (V92215)) (OPT 96-02 (V80539)) (OPT BRH10A3 (V52828)) (REWORK DWG 114T4183-1, 114T4183-2)	A,M,A L-AX	4

57-43-51

FIG. & ITEM	PART NO.	AIRLINE PART NUMBER	NOMENCLATURE 1234567	EFF CODE	QTY PER ASSY
02-609	114T4136-1		..FITTING- (REWORK DWG 114T4183-1, 114T4183-2)	A,M,A L-AX	1
-610 610A	114T4404-6 114T4136-2		DELETED ..FITTING- (REWORK DWG 114T4183-1, 114T4183-2)	A,M,A L-AX	1
611	BACS12ER3C15		..SCREW- (REWORK DWG 114T4183-1, 114T4183-2)	A,M,A L-AX	2
612 612A	BACB30NU3K5 H10-3BAC		DELETED ..NUT- (V15653) (SPEC BACN10JC3) (OPT NS202101-02 (V80539)) (OPT RMLH9075-3W (V72962)) (OPT T6S1032J (V71087)) (OPT VN303A02 (V92215)) (OPT 96-02 (V80539)) (OPT BRH10A3 (V52828)) (REWORK DWG 114T4183-1, 114T4183-2)	A,M,A L-AX	2

57-43-51

ILLUSTRATED PARTS LIST
01.1 Page 1068L
Mar 01/04

FIG. & ITEM	PART NO.	AIRLINE PART NUMBER	NOMENCLATURE 1234567	EFF CODE	QTY PER ASSY
02-613	BACR15CE5AD		..RIVET- (SIZE DETERMINE ON INST) (REWORK DWG 114T4183-1, 114T4183-2)	A,M,A L-AX	4
614 614A	BACB30NU3K7 114T6415-1		DELETED ..PLATE- (REWORK DWG 114T4183-1, 114T4183-2)	A,M,A L-AX	2
615	HL10VAZ12-11		..BOLT- (V60516) (SPEC BACB30MY12K11) (OPT B30MY12K11 (V97928)) (REWORK DWG 114T4183-1, 114T4183-2)	A,M,A L-AX	1
616 -616A -616G 617	BACB30NT3K22 BACB30LK3-22 BACB30NT3K22 HL10VAZ12-10		DELETED DELETED DELETED ..BOLT- (V60516) (SPEC BACB30MY12K10) (OPT B30MY12K10 (V97928)) (REWORK DWG 114T4183-1, 114T4183-2)	A,M,A L-AX	1
618 618A	AN960PD10 HL82-12APBW		DELETED ..COLLAR- (V5M902) (SPEC BACC30AG12) (OPT HL82-12APBW (V56878)) (OPT HL82-12APBW (V73197)) (REWORK DWG 114T4183-1, 114T4183-2)	A,M,A L-AX	2
619	BACS40R12D24F		..SHIM- (REWORK DWG 114T4183-1, 114T4183-2)	A,M,A L-AX	1
620	H10-3BAC		DELETED		

57-43-51

FIG. & ITEM	PART NO.	AIRLINE PART NUMBER	NOMENCLATURE 1234567	EFF CODE	QTY PER ASSY
02-620A	114T4190-1		..FITTING ASSY-MAIN TRACK PIVOT (REWORK DWG 114T4183-1)	A,A L-AR	1
-621	114T4190-2		..FITTING ASSY-MAIN TRACK PIVOT (REWORK DWG 114T4183-2)	M,A S-AX	1
622 622A	BACB30NN6K HL111VAZ6-9		DELETED ..BOLT- (V60516) (SPEC BACB30NW6K9X) (OPT HL11VAZ6-9X (V73197)) (OPT HL11VAZ6-9X (V92215)) (OPT L803-6K9X (V06725)) (OPT B30NW6K9X (V97928)) (OPT HL11VAZ6-9X (V97928)) (OPT HL11VAZ6-9X (V0PTK6)) (OPT HL11VAZ6-9X (V60516)) (OPT HL11VAZ6-9X (V56878)) (REWORK DWG 114T4183-1, 114T4183-2)	A,M,A L-AX	2
623	HL79-6		..COLLAR- (V5M902) (SPEC BACC30M6) (OPT HL79-6 (V73197)) (OPT HL79-6 (V92215)) (OPT 66014-6 (V56878)) (OPT HL79-6 (V56878)) (REWORK DWG 114T4183-1, 114T4183-2)	A,M,A L-AX	2

57-43-51

 ILLUSTRATED PARTS LIST
 01.1 Page 1068N
 Mar 01/04

FIG. & ITEM	PART NO.	AIRLINE PART NUMBER	NOMENCLATURE 1234567	EFF CODE	QTY PER ASSY
02- 624 624A	BACB30MY6K BACB30LL3-9X		DELETED ..BOLT- (REWORK DWG 114T4183-1, 114T4183-2)	A,M,A L-AX	1
625	H10-3BAC		..NUT- (V15653) (SPEC BACN10JC3) (OPT NS202101-02 (V80539)) (OPT RMLH9075-3W (V72962)) (OPT T6S1032J (V71087)) (OPT VN303A02 (V92215)) (OPT 96-02 (V80539)) (OPT BRH10A3 (V52828)) (REWORK DWG 114T4183-1, 114T4183-2)	A,M,A L-AX	1
626 626A	HL79-6 BACB30NM3K10		DELETED ..BOLT- (REWORK DWG 114T4183-1, 114T4183-2)	A,M,A L-AX	4
627	BACB30NN3K9		..BOLT- (REWORK DWG 114T4183-1, 114T4183-2)	A,M,A L-AX	2
628	BACR15FT6AD		DELETED		

57-43-51

FIG. & ITEM	PART NO.	AIRLINE PART NUMBER	NOMENCLATURE 1234567	EFF CODE	QTY PER ASSY
02-628A	012T2400-43		...BUSHING	A,M,A L-AX	1
629	BACB28AM13B023A		...BUSHING	A,M,A L-AX	1
630	BACS40R09C19F		DELETED		
630A	114T4190-3		...FITTING	A,A L-AR	1
-631	114T4190-4		...FITTING	M,A S-AX	1
632	BACS40R10C16F		DELETED		
632A	114T6415-3		..FILLER- (REWORK DWG 114T4183-1, 114T4183-2)	A,M,A L-AX	1
633	114T6415-5		..FILLER- (REWORK DWG 114T4183-1, 114T4183-2)	A,M,A L-AX	2
634	BACB28AM13B023A		DELETED		
634A	BACS40R08D34F		..SHIM- (REWORK DWG 114T4183-1, 114T4183-2)	A,M,A L-AX	1
635	114T4404-5		..RIB ASSY-MAIN TRACK (REWORK DWG 114T4183-3)	A,A L-AR	1
636	BACB28AP09P022		DELETED		
-637	114T4404-6		..RIB ASSY-MAIN TRACK (REWORK DWG 114T4183-4)	M,A S-AX	1
638	BACR15BA3AD		...RIVET- (SIZE DETERMINE ON INST)	A,M,A L-AX	36

57-43-51

 ILLUSTRATED PARTS LIST
 01.1 Page 1068P
 Mar 01/04

FIG. & ITEM	PART NO.	AIRLINE PART NUMBER	NOMENCLATURE 1234567	EFF CODE	QTY PER ASSY
02-640	BRFM22A3-3		...NUTPLATE- (V52828) (SPEC BACN10JQ33) (OPT MF19058-3-3BAC (V15653))	A,M,A L-AX	14
642	NS103225-02		...NUTPLATE- (V80539) (SPEC BACN10KH3) (OPT RMF9209M3 (V72962)) (OPT RMF9209M3 (V72962))	A,M,A L-AX	4
644	NAS1195DD3KH		...SHIM	A,M,A L-AX	8
646	114T4404-7		...RIB	A,A L-AR	1
-648	114T4404-8		...RIB	M,A S-AX	1
649	HL10VAZ6-7		..BOLT- (V60516) (SPEC BACB30MY6K7) (OPT B30MY6K7 (V97928)) (REWORK DWG 114T4183-1, 114T4183-2)	A,M,A L-AX	4
650 650A	114T4405-5 H10-3BAC		DELETED ..NUT- (V15653) (SPEC BACN10JC3) (OPT NS202101-02 (V80539)) (OPT RMLH9075-3W (V72962)) (OPT T6S1032J (V71087)) (OPT VN303A02 (V92215)) (OPT 96-02 (V80539)) (OPT BRH10A3 (V52828)) (REWORK DWG 114T4183-1, 114T4183-2)	A,M,A L-AX	4

57-43-51

FIG. & ITEM	PART NO.	AIRLINE PART NUMBER	NOMENCLATURE 1234567	EFF CODE	QTY PER ASSY
02-651	114T4136-1		..FITTING- (REWORK DWG 114T4183-1, 114T4183-2)	A,M,A L-AX	1
-652 652A	114T4405-6 114T4136-2		DELETED ..FITTING- (REWORK DWG 114T4183-1, 114T4183-2)	A,M,A L-AX	1
653	BACS12ER3C15		..SCREW- (REWORK DWG 114T4183-1, 114T4183-2)	A,M,A L-AX	2
654 654A	BACB30NU3K5 H10-3BAC		DELETED ..NUT- (V15653) (SPEC BACN10JC3) (OPT NS202101-02 (V80539)) (OPT RMLH9075-3W (V72962)) (OPT T6S1032J (V71087)) (OPT VN303A02 (V92215)) (OPT 96-02 (V80539)) (OPT BRH10A3 (V52828)) (REWORK DWG 114T4183-1, 114T4183-2)	A,M,A L-AX	2

57-43-51

 ILLUSTRATED PARTS LIST
 01.1 Page 1068R
 Mar 01/04

FIG. & ITEM	PART NO.	AIRLINE PART NUMBER	NOMENCLATURE 1234567	EFF CODE	QTY PER ASSY
02-655	BACR15CE5AD		..RIVET- (SIZE DETERMINE ON INST) (REWORK DWG 114T4183-1, 114T4183-2)	A,M,A L-AX	4
656 656A	BACB30NU3K7 114T6415-1		DELETED ..PLATE- (REWORK DWG 114T4183-1, 114T4183-2)	A,M,A L-AX	2
657	HL10VAZ12-11		..BOLT- (V60516) (SPEC BACB30MY12K11) (OPT B30MY12K11 (V97928)) (REWORK DWG 114T4183-1, 114T4183-2)	A,M,A L-AX	1
658 -658A -658G 659	BACB30NT3K22 BACB30LK3-22 BACB30NT3K22 HL10VAZ12-10		DELETED DELETED DELETED ..BOLT- (V60516) (SPEC BACB30MY12K10) (OPT B30MY12K10 (V97928)) (REWORK DWG 114T4183-1, 114T4183-2)	A,M,A L-AX	1
660 660A	AN960PD10 HL82-12APBW		DELETED ..COLLAR- (V5M902) (SPEC BACC30AG12) (OPT HL82-12APBW (V56878)) (OPT HL82-12APBW (V73197)) (REWORK DWG 114T4183-1, 114T4183-2)	A,M,A L-AX	2
661	BACS40R12D24F		..SHIM- (REWORK DWG 114T4183-1, 114T4183-2)	A,M,A L-AX	1
662	H10-3BAC		DELETED		

57-43-51

FIG. & ITEM	PART NO.	AIRLINE PART NUMBER	NOMENCLATURE 1234567	EFF CODE	QTY PER ASSY
02-662A	114T4191-1		..FITTING ASSY-MAIN TRACK PIVOT (REWORK DWG 114T4183-1)	A,A L-AR	1
-663	114T4191-2		..FITTING ASSY-MAIN TRACK PIVOT (REWORK DWG 114T4183-2)	M,A S-AX	1
664 664A	BACB30NW6K HL111VAZ6-9		DELETED ..BOLT- (V60516) (SPEC BACB30NW6K9X) (OPT HL11VAZ6-9X (V73197)) (OPT HL11VAZ6-9X (V92215)) (OPT L803-6K9X (V06725)) (OPT B30NW6K9X (V97928)) (OPT HL11VAZ6-9X (V97928)) (OPT HL11VAZ6-9X (V0PTK6)) (OPT HL11VAZ6-9X (V60516)) (OPT HL11VAZ6-9X (V56878)) (REWORK DWG 114T4183-1, 114T4183-2)	A,M,A L-AX	2
665	HL79-6		..COLLAR- (V5M902) (SPEC BACC30M6) (OPT HL79-6 (V73197)) (OPT HL79-6 (V92215)) (OPT 66014-6 (V56878)) (OPT HL79-6 (V56878)) (REWORK DWG 114T4183-1, 114T4183-2)	A,M,A L-AX	2

57-43-51

 ILLUSTRATED PARTS LIST
 01.1 Page 1068T
 Mar 01/04

FIG. & ITEM	PART NO.	AIRLINE PART NUMBER	NOMENCLATURE 1234567	EFF CODE	QTY PER ASSY
02- 666 666A	BACB30MY6K BACB30LL3-9X		DELETED ..BOLT- (REWORK DWG 114T4183-1, 114T4183-2)	A,M,A L-AX	1
667	H10-3BAC		..NUT- (V15653) (SPEC BACN10JC3) (OPT NS202101-02 (V80539)) (OPT RMLH9075-3W (V72962)) (OPT T6S1032J (V71087)) (OPT VN303A02 (V92215)) (OPT 96-02 (V80539)) (OPT BRH10A3 (V52828)) (REWORK DWG 114T4183-1, 114T4183-2)	A,M,A L-AX	1
668 668A	HL79-6 BACB30NM3K10		DELETED ..BOLT- (REWORK DWG 114T4183-1, 114T4183-2)	A,M,A L-AX	4
669	BACB30NN3K9		..BOLT- (REWORK DWG 114T4183-1, 114T4183-2)	A,M,A L-AX	2
670	BACR15FT6AD		DELETED		

57-43-51

FIG. & ITEM	PART NO.	AIRLINE PART NUMBER	NOMENCLATURE 1234567	EFF CODE	QTY PER ASSY
02-670A	012T2400-43		...BUSHING	A,M,A L-AX	1
671	BACB28AM13B023A		...BUSHING	A,M,A L-AX	1
672	BACS40R09C19F		DELETED		
672A	114T4191-3		...FITTING	A,A L-AR	1
-673	114T4191-4		...FITTING	M,A S-AX	1
674	BACS40R10C16F		DELETED		
674A	114T6415-3		..FILLER- (REWORK DWG 114T4183-1, 114T4183-2)	A,M,A L-AX	1
675	114T6415-5		..FILLER- (REWORK DWG 114T4183-1, 114T4183-2)	A,M,A L-AX	2
676	BACB28AM13B023A		DELETED		
676A	BACS40R08D34F		..SHIM- (REWORK DWG 114T4183-1, 114T4183-2)	A,M,A L-AX	1
677	114T4405-5		..RIB ASSY-MAIN TRACK (REWORK DWG 114T4183-5)	A,A L-AR	1
678	BACB28AP09P022		DELETED		
-679	114T4405-6		..RIB ASSY-MAIN TRACK (REWORK DWG 114T4183-6)	M,A S-AX	1
680	BACR15BA3AD		...RIVET- (SIZE DETERMINE ON INST)	A,M,A L-AX	36

57-43-51

 ILLUSTRATED PARTS LIST
 01.1 Page 1068V
 Mar 01/04

FIG. & ITEM	PART NO.	AIRLINE PART NUMBER	NOMENCLATURE 1234567	EFF CODE	QTY PER ASSY
02-682	BRFM22A3-3		...NUTPLATE- (V52828) (SPEC BACN10JQ33) (OPT MF19058-3-3BAC (V15653))	A,M,A L-AX	14
684	NS103225-02		...NUTPLATE- (V80539) (SPEC BACN10KH3) (OPT RMF9209M3 (V72962)) (OPT RMF9209M3 (V72962))	A,M,A L-AX	4
686	NAS1195DD3KH		...SHIM	A,M,A L-AX	6
688	114T4405-7		...RIB	A,A L-AR	1
-690	114T4405-8		...RIB	M,A S-AX	1
692	114T4510-29		..RIB ASSY-AUX ARM AND	A,A L-AR	1
-694	114T4510-30		..RIB ASSY-AUX ARM AND	M,A S-AX	1
696	114T4510-31		..RIB ASSY-AUX ARM AND	A,A L-AR	1
-698	114T4510-32		..RIB ASSY-AUX ARM AND	M,A S-AX	1
700	BACB30NU3K6		DELETED		
702	BACB30NT3K6		DELETED		
704	AN960PD10		DELETED		
706	H10-3BAC		DELETED		
708	BACB30NW6K		DELETED		
710	BACB30MY6K		DELETED		

57-43-51

FIG. & ITEM	PART NO.	AIRLINE PART NUMBER	NOMENCLATURE 1234567	EFF CODE	QTY PER ASSY
02- 712 714 716 718 718A	HL79-6 BACS40R09C19F BACS40R09C14F HL11VAZ5-4 HL445PB5-3		DELETED DELETED DELETED DELETED ...BOLT- (V60516) (SPEC BACB30ND5A3) (OPT HL445PB5-3 (V97928)) (OPT HL445PB5-3 (V56878)) (OPT HL445PB5-3 (V73197)) (OPT HL445PB5-3 (V92215)) (OPT 69310-5A3 (V56878)) (OPT HL445PB5-3 (V80539)) (REWORK DWG 114T4183-1, 114T4183-2) (OPT ITEM 718B)	A,M,A L-AX	4

57-43-51

ILLUSTRATED PARTS LIST
01.1 Page 1068X
Mar 01/04

FIG. & ITEM	PART NO.	AIRLINE PART NUMBER	NOMENCLATURE 1234567	EFF CODE	QTY PER ASSY
02- -718B	HL441UC5-3		...BOLT- (V97928) (SPEC BACB30FN5A3) (OPT HL441UC5-3 (V73197)) (OPT HL441UC5-3 (V92215)) (OPT HL41PY5-3 (V80539)) (OPT HL441N5-3 (V80539)) (OPT HL441UC5-3 (V80539)) (OPT 67068-5A3 (V56878)) (OPT HL441UC5-3 (V08524)) (OPT HL19-5A3 (V06725)) (OPT L839-5A3 (V06725)) (OPT HL441UC5-3 (V56878)) (REWORK DWG 114T4183-1, 114T4183-2) (OPT ITEM 718A)	A,M,A L-AX	4
720	AN960PD8L		...WASHER	A,M,A L-AX	4
722	BACN10JC08CD		...NUT- (OPT ITEM 722A)	A,M,A L-AX	4

57-43-51

FIG. & ITEM	PART NO.	AIRLINE PART NUMBER	NOMENCLATURE 1234567	EFF CODE	QTY PER ASSY
02- -722A	H10-08BAC		...NUT- (V15653) (SPEC BACN10JC08) (OPT NS202101-82 (V80539)) (OPT RMLH9075-82W (V72962)) (OPT T6S832J (V71087)) (OPT VN303A82 (V92215)) (OPT 96-82 (V80539)) (OPT BRH10A08 (V52828)) (OPT ITEM 722)	A,M,A L-AX	4
724	114T4522-1		DELETED		
724A	114T4149-1		...PLATE-RUB (REWORK DWG 114T4183-1, 114T4183-2)	A,M,A L-AX	1
725	114T4149-2		...PLATE-RUB (REWORK DWG 114T4183-1, 114T4183-2)	A,M,A L-AX	1
726	BACB30LE5-24		DELETED		
728	BACW10BP5CD		DELETED		
730	BACW10BP5DP		DELETED		
732	BACW10P362LA		DELETED		
734	BACB28U5C037		DELETED		
736	BACB28U5C058		DELETED		
737	HL10VAZ14-22		...BOLT- (V60516) (SPEC BACB30MY14K22) (OPT B30MY14K22 (V97928)) (REWORK DWG 114T4183-1, 114T4183-2)	A,M,A L-AX	2
738	BMNN10HR5		DELETED		

57-43-51

 ILLUSTRATED PARTS LIST
 01.1 Page 1068Z
 Mar 01/04

FIG. & ITEM	PART NO.	AIRLINE PART NUMBER	NOMENCLATURE 1234567	EFF CODE	QTY PER ASSY
02-738A	HL79-14		...COLLAR- (V5M902) (SPEC BACC30M14) (OPT HL79-14 (V73197)) (OPT HL79-14 (V92215)) (OPT 66014-14 (V56878)) (OPT HL79-14 (V56878)) (REWORK DWG 114T4183-1, 114T4183-2)	A,M,A L-AX	2
740	114T4140-113		...ARM ASSY- (USED ON ITEM 692)	A,A L-AR	1
-742	114T4140-114		...ARM ASSY- (USED ON ITEM 694)	M,A S-AX	1
744	114T4140-121		...ARM ASSY- (USED ON ITEM 696)	A,A L-AR	1
-746	114T4140-122		...ARM ASSY- (USED ON ITEM 698)	M,A S-AX	1
748	BACB28U5C037		DELETED		
750	114T4511-1		DELETED		
750A	012T2400-45	BUSHING- (REWORK DWG 114T4183-1, 114T4183-2)	A,M,A L-AX	1
752	114T4140-117	ARM- (USED ON ITEM 740)	A,A L-AR	1
-754	114T4140-118	ARM- (USED ON ITEM 742)	M,A S-AX	1
756	114T4140-125	ARM- (USED ON ITEM 744)	A,A L-AR	1
-758	114T4140-126	ARM- (USED ON ITEM 746)	M,A S-AX	1
760	114T4140-115		...ARM ASSY- (USED ON ITEM 692)	A,A L-AR	1
-762	114T4140-116		...ARM ASSY- (USED ON ITEM 694)	M,A S-AX	1
764	114T4140-123		...ARM ASSY- (USED ON ITEM 696)	A,A L-AR	1
-766	114T4140-124		...ARM ASSY- (USED ON ITEM 698)	M,A S-AX	1
768	BACB28U5C037		DELETED		

57-43-51

FIG. & ITEM	PART NO.	AIRLINE PART NUMBER	NOMENCLATURE 1234567	EFF CODE	QTY PER ASSY
02-770	114T4511-1		DELETED		
770A	012T2400-45	BUSHING- (REWORK DWG 114T4183-1, 114T4183-2)	A,M,A L-AX	1
772	114T4140-119	ARM- (USED ON ITEM 760)	A,A L-AR	1
-774	114T4140-120	ARM- (USED ON ITEM 762)	M,A S-AX	1
776	114T4140-127	ARM- (USED ON ITEM 764)	A,A L-AR	1
-778	114T4140-128	ARM- (USED ON ITEM 766)	M,A S-AX	1
780	114T4504-5		...RIB ASSY- (USED ON ITEM 692)	A,A L-AR	1
-782	114T4504-6		...RIB ASSY- (USED ON ITEM 694)	M,A S-AX	1
784	114T4505-5		...RIB ASSY- (USED ON ITEM 696)	A,A L-AR	1
-786	114T4505-6		...RIB ASSY- (USED ON ITEM 698)	M,A S-AX	1
788	BACB28U5C058		DELETED		
790	114T4504-7	RIB- (USED ON ITEM 780)	A,A L-AR	1
-792	114T4504-8	RIB- (USED ON ITEM 782)	M,A S-AX	1
794	114T4505-7	RIB- (USED ON ITEM 784)	A,A L-AR	1
-796	114T4505-8	RIB- (USED ON ITEM 786)	M,A S-AX	1
-798	114T4905-1		..RIB ASSY-END	A,A L-AR	1
-800	114T4905-2		..RIB ASSY-END	M,A S-AX	1

57-43-51

ILLUSTRATED PARTS LIST
01.1 Page 1070
Mar 01/04

FIG. & ITEM	PART NO.	AIRLINE PART NUMBER	NOMENCLATURE 1234567	EFF CODE	QTY PER ASSY
02-802	BACR15BA3AD		...RIVET- (SIZE DETERMINE ON INST)	A,M,A L-AX	24
804	BRFM22A3-3		...NUTPLATE- (V52828) (SPEC BACN10JQ33) (OPT MF19058-3-3BAC (V15653))	A,M,A L-AX	3
806	BRFM22A4-3		...NUTPLATE- (V52828) (SPEC BACN10JQ34) (OPT MF19058-3-4BAC (V15653))	A,M,A L-AX	6
808	NS103225-02		...NUTPLATE- (V80539) (SPEC BACN10KH3) (OPT RMF9209M3 (V72962)) (OPT RMF9209M3 (V72962))	A,M,A L-AX	3
810	NAS1195DD3KH		...SHIM	A,M,A L-AX	7
-812	114T4906-1		..RIB ASSY-END	A,A L-AR	1
-814	114T4906-2		..RIB ASSY-END	M,A S-AX	1
816	BACR15BA3AD		...RIVET- (SIZE DETERMINE ON INST)	A,M,A L-AX	26
818	BRFM22A3-3		...NUTPLATE- (V52828) (SPEC BACN10JQ33) (OPT MF19058-3-3BAC (V15653))	A,M,A L-AX	3

57-43-51

FIG. & ITEM	PART NO.	AIRLINE PART NUMBER	NOMENCLATURE 1234567	EFF CODE	QTY PER ASSY
02-820	BRFM22A4-3		...NUTPLATE- (V52828) (SPEC BACN10JQ34) (OPT MF19058-3-4BAC (V15653))	A,M,A L-AX	6
822	BRFM20A3		...NUTPLATE- (V52828) (SPEC BACN10JN3) (OPT MF1000-3BAC (V15653)) (OPT NS103218-02 (V80539)) (OPT RMF9201M3 (V72962)) (OPT VN252A02 (V92215)) (OPT MF1000-3BAC (V15653)) (OPT MF53049-3 (V15653))	A,M,A L-AX	1
824	NS103225-02		...NUTPLATE- (V80539) (SPEC BACN10KH3) (OPT RMF9209M3 (V72962)) (OPT RMF9209M3 (V72962))	A,M,A L-AX	3
826	NAS1195DD3KH		...SHIM	A,M,A L-AX	7
828	114T4123-19		..BEAM ASSY-NOSE (USED ON ITEMS 7, 7A)	A,A L-AR	1
-828A	114T4123-35		..BEAM ASSY-NOSE (USED ON ITEM 7B)	A,A L-AR	1

57-43-51

 ILLUSTRATED PARTS LIST
 01.1 Page 1070B
 Mar 01/04

FIG. & ITEM	PART NO.	AIRLINE PART NUMBER	NOMENCLATURE 1234567	EFF CODE	QTY PER ASSY
02- -830	114T4123-20		..BEAM ASSY-NOSE (USED ON ITEMS 8, 8A)	M,A S-AX	1
-830A	114T4123-36		..BEAM ASSY-NOSE (USED ON ITEM 8B)	M,A S-AX	1
832	BACB30NT3K7		...BOLT	A,M,A L-AX	48
834	AN960PD10L		...WASHER	A,M,A L-AX	48
836	114T4119-3		...DOOR	A,M,A L-AX	3
838	114T4119-4		...DOUBLER	A,M,A L-AX	3
840	BACR15BA3AD		...RIVET- (SIZE DETERMINE ON ONST)	A,M,A L-AX	96
842	BRFM20A3		...NUTPLATE- (V52828) (SPEC BACN10JN3) (OPT MF1000-3BAC (V15653)) (OPT NS103218-02 (V80539)) (OPT RMF9201M3 (V72962)) (OPT VN252A02 (V92215)) (OPT MF1000-3BAC (V15653)) (OPT MF53049-3 (V15653))	A,M,A L-AX	9
844	BRFM22A3-3		...NUTPLATE- (V52828) (SPEC BACN10JQ33) (OPT MF19058-3-3BAC (V15653))	A,M,A L-AX	39
-846	114T4200-9		..SEAL INSTL	A,A L-AR	1
-848	114T4200-10		..SEAL INSTL	M,A S-AX	1
850	BACB30NT3K4		...BOLT	A,M,A L-AX	14
852	AN960PD10		...WASHER	A,M,A L-AX	1
854 854A	AN960DD10L AN960PD10L		DELETED ...WASHER	A,M,A L-AX	13

57-43-51

FIG. & ITEM	PART NO.	AIRLINE PART NUMBER	NOMENCLATURE 1234567	EFF CODE	QTY PER ASSY
02-856	BACW10P43AL		...WASHER	A,M,A L-AX	7
858	H10-3BAC		...NUT- (V15653) (SPEC BACN10JC3) (OPT NS202101-02 (V80539)) (OPT RMLH9075-3W (V72962)) (OPT T6S1032J (V71087)) (OPT VN303A02 (V92215)) (OPT 96-02 (V80539)) (OPT BRH10A3 (V52828))	A,M,A L-AX	12
860	114T4221-7		...FITTING-ATTACH	A,A L-AR	1
-862	114T4221-8		...FITTING-ATTACH	M,A S-AX	1
864	114T4223-29		...SEAL-BLADE	A,A L-AR	1
-866	114T4223-30		...SEAL-BLADE	M,A S-AX	1
868	114T4222-7		...RETAINER	A,A L-AR	1
-870	114T4222-8		...RETAINER	M,A S-AX	1
872	114T4221-19		...FITTING-ATTACH	A,A L-AR	1
-874	114T4221-20		...FITTING-ATTACH	M,A S-AX	1
876	114T4223-27		...SEAL-BLADE	A,A L-AR	1
-878	114T4223-28		...SEAL-BLADE	M,A S-AX	1
880	114T4223-16		DELETED		
880A	114T4222-16		...RETAINER	A,M,A L-AX	1

57-43-51

 ILLUSTRATED PARTS LIST
 01.1 Page 1070D
 Mar 01/04

FIG. & ITEM	PART NO.	AIRLINE PART NUMBER	NOMENCLATURE 1234567	EFF CODE	QTY PER ASSY
02-882	114T4240-45		...SEAL	A,A L-AR	1
-884	114T4240-46		...SEAL	M,A S-AX	1
886	114T4240-47		...SEAL	A,A L-AR	1
-888	114T4240-48		...SEAL	M,A S-AX	1
-890	114T4200-11		..SEAL INSTL	A,A L-AR	1
-892	114T4200-12		..SEAL INSTL	M,A S-AX	1
894	BACB30NT3K4		...BOLT	A,M,A L-AX	14
896	AN960PD10		...WASHER	A,M,A L-AX	1
898	AN960PD10L		...WASHER	A,M,A L-AX	18
900	BACW10P43AL		...WASHER	A,M,A L-AX	7
902	H10-3BAC		...NUT- (V15653) (SPEC BACN10JC3) (OPT NS202101-02 (V80539)) (OPT RMLH9075-3W (V72962)) (OPT T6S1032J (V71087)) (OPT VN303A02 (V92215)) (OPT 96-02 (V80539)) (OPT BRH10A3 (V52828))	A,M,A L-AX	12

57-43-51

ILLUSTRATED PARTS LIST
 01.1 Page 1070E
 Mar 01/04

FIG. & ITEM	PART NO.	AIRLINE PART NUMBER	NOMENCLATURE 1234567	EFF CODE	QTY PER ASSY
02-904	114T4221-11		...FITTING-ATTACH	A,A L-AR	1
-906	114T4221-12		...FITTING-ATTACH	M,A S-AX	1
908	114T4223-25		...SEAL-BLADE	A,A L-AR	1
-910	114T4223-26		...SEAL-BLADE	M,A S-AX	1
912	114T4222-25		...RETAINER	A,A L-AR	1
-914	114T4222-26		...RETAINER	M,A S-AX	1
916	114T4221-21		...FITTING-ATTACH	A,A L-AR	1
920	114T4223-37		...SEAL-BLADE	A,A L-AR	1
-922	114T4223-38		...SEAL-BLADE	M,A S-AX	1
924	114T4222-17		...RETAINER	A,M,A L-AX	1
926	114T4240-49		...SEAL	A,A L-AR	1
-928	114T4240-50		...SEAL	M,A S-AX	1
930	114T4240-51		...SEAL	A,A L-AR	1
-932	114T4240-52		...SEAL	M,A S-AX	1
933	NAS1398D6		..RIVET- (REWORK DWG 114T4183-1, 114T4183-2) (USED WITH ITEM 933G)	A,M,A L-AX	24
933G	114T4184-7		..PLATE-COVER (OPTIONAL) (REWORK DWG 114T4183-1, 114T4183-2)	A,M,A L-AX	2

57-43-51

 ILLUSTRATED PARTS LIST
 01.1 Page 1070F
 Mar 01/04

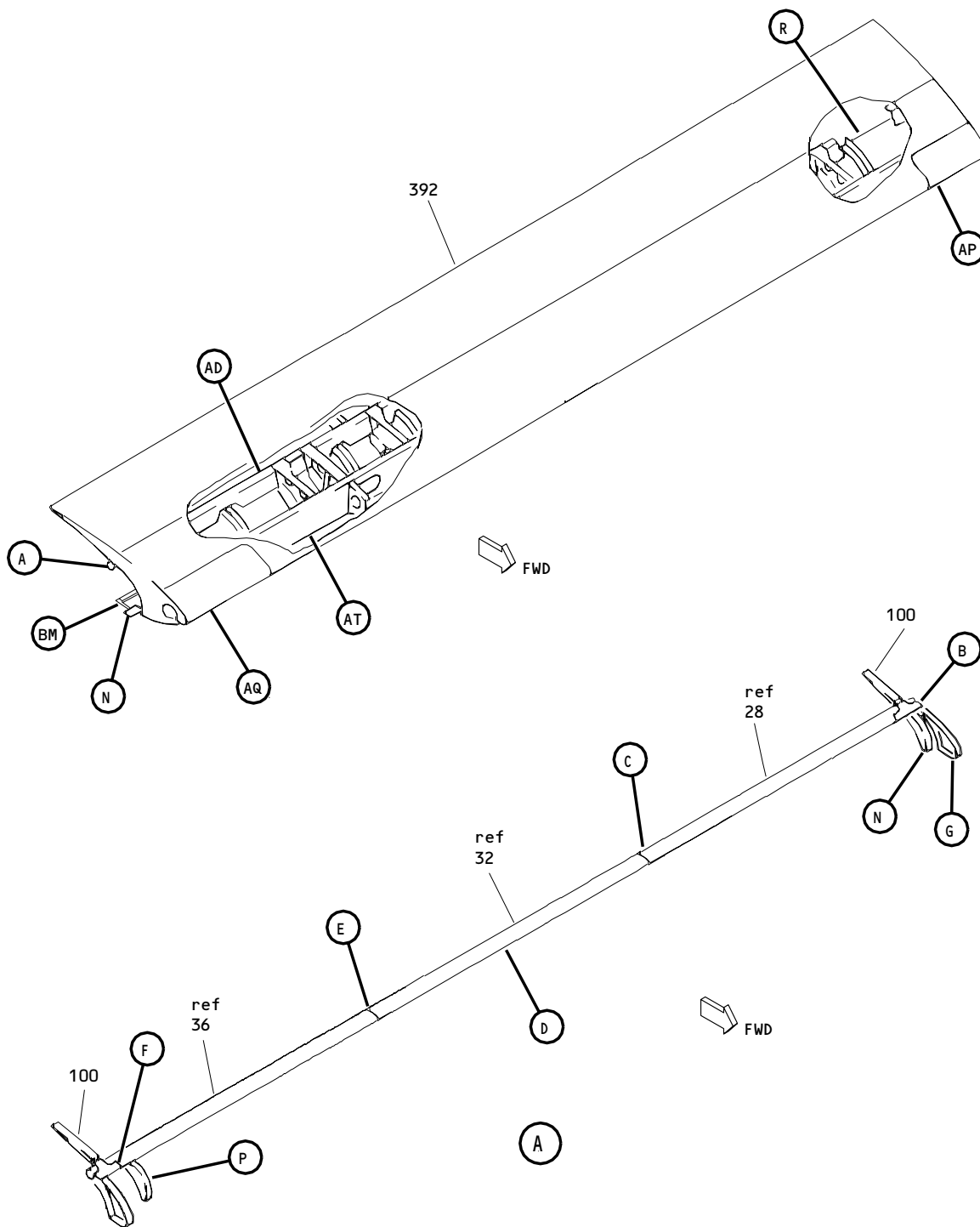
FIG. & ITEM	PART NO.	AIRLINE PART NUMBER	NOMENCLATURE 1234567	EFF CODE	QTY PER ASSY
02-934	BACR15BB3AD		..RIVET- (SIZE DETERMINE ON INST)	A,M,A L-AX	4
936	MS27253-1		..PLATE	A,M,A L-AX	1
938	BACR15BB4AD		..RIVET- (SIZE DETERMINE ON INST)	A,M,A L-AX	1
940	BACR15BB4A		..RIVET- (SIZE DETERMINE ON INST)	A,M,A L-AX	3
942	BACR15CE6KE		..RIVET- (SIZE DETERMINE ON INST)	A,M,A L-AX	122
944	BACR15CE5KE		..RIVET- (SIZE DETERMINE ON INST)	A,M,A L-AX	16
946	BACB30NW6K		..BOLT- (SIZE DETERMINE ON INST)	A,M,A L-AX	10
948	HL79-6		..COLLAR- (V5M902) (SPEC BACC30M6) (OPT HL79-6 (V73197)) (OPT HL79-6 (V92215)) (OPT 66014-6 (V56878)) (OPT HL79-6 (V56878))	A,M,A L-AX	10
950	114T4151-9		..PANEL-LWR CLOSURE	A,A L-AR	1
-952	114T4151-10		..PANEL-LWR CLOSURE	M,A S-AX	1
954	114T4151-11		..PANEL-LWR CLOSURE	A,A L-AR	1

57-43-51

FIG. & ITEM	PART NO.	AIRLINE PART NUMBER	NOMENCLATURE	EFF CODE	QTY PER ASSY
			1234567		
02- -956	114T4151-12		..PANEL-LWR CLOSURE DELETED	M,A S-AX A,M,A L-AX	1
960	114T4180-3		DELETED		
-960A	114T4180-13		DELETED		
965	ADB9V301NC		DELETED		
970	114T4180-8		DELETED		
-970A	114T4180-18		DELETED		

- Item Not Illustrated

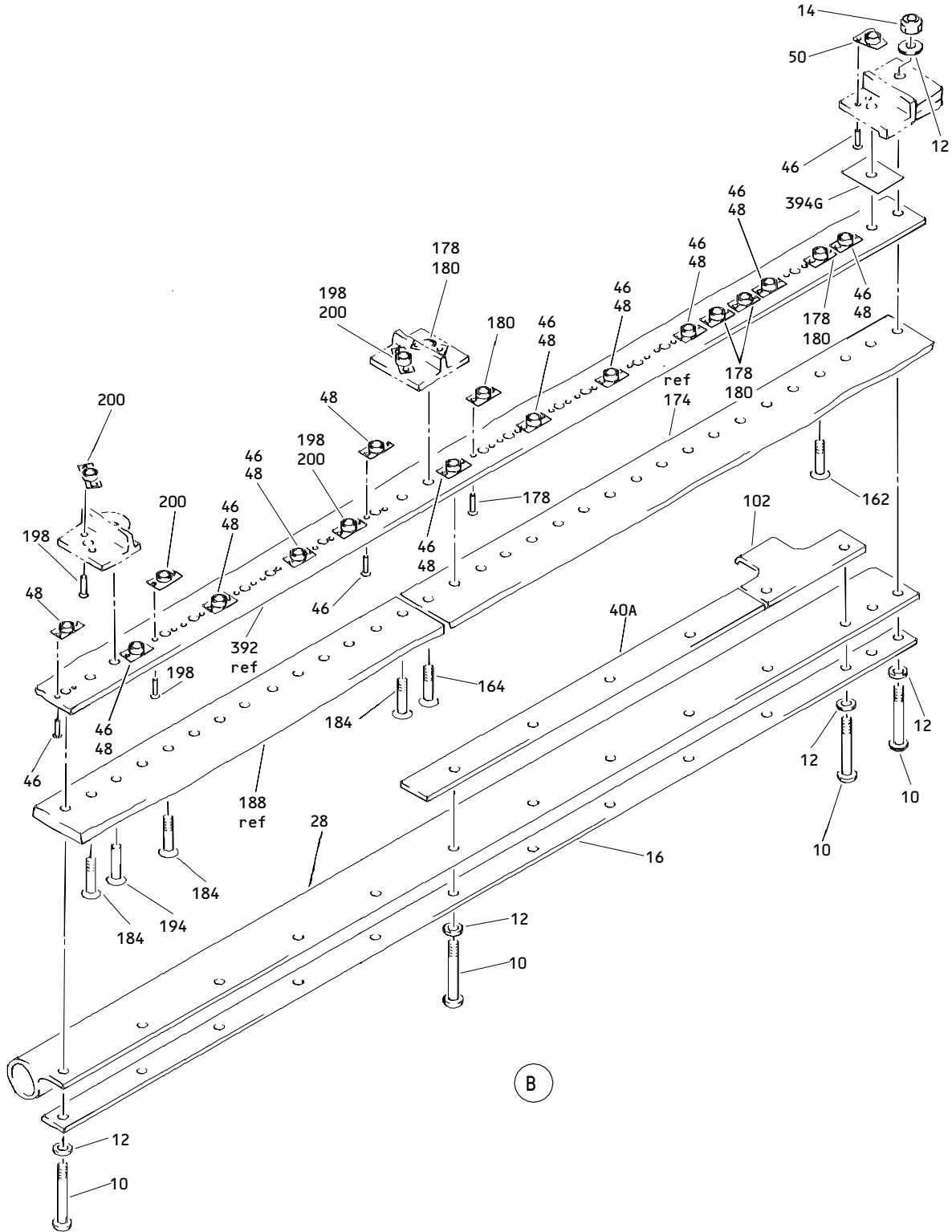
57-43-51



Outboard Slat No. 3 Wing Leading Edge Structure Assembly
 Figure 3 (Sheet 1)

57-43-51

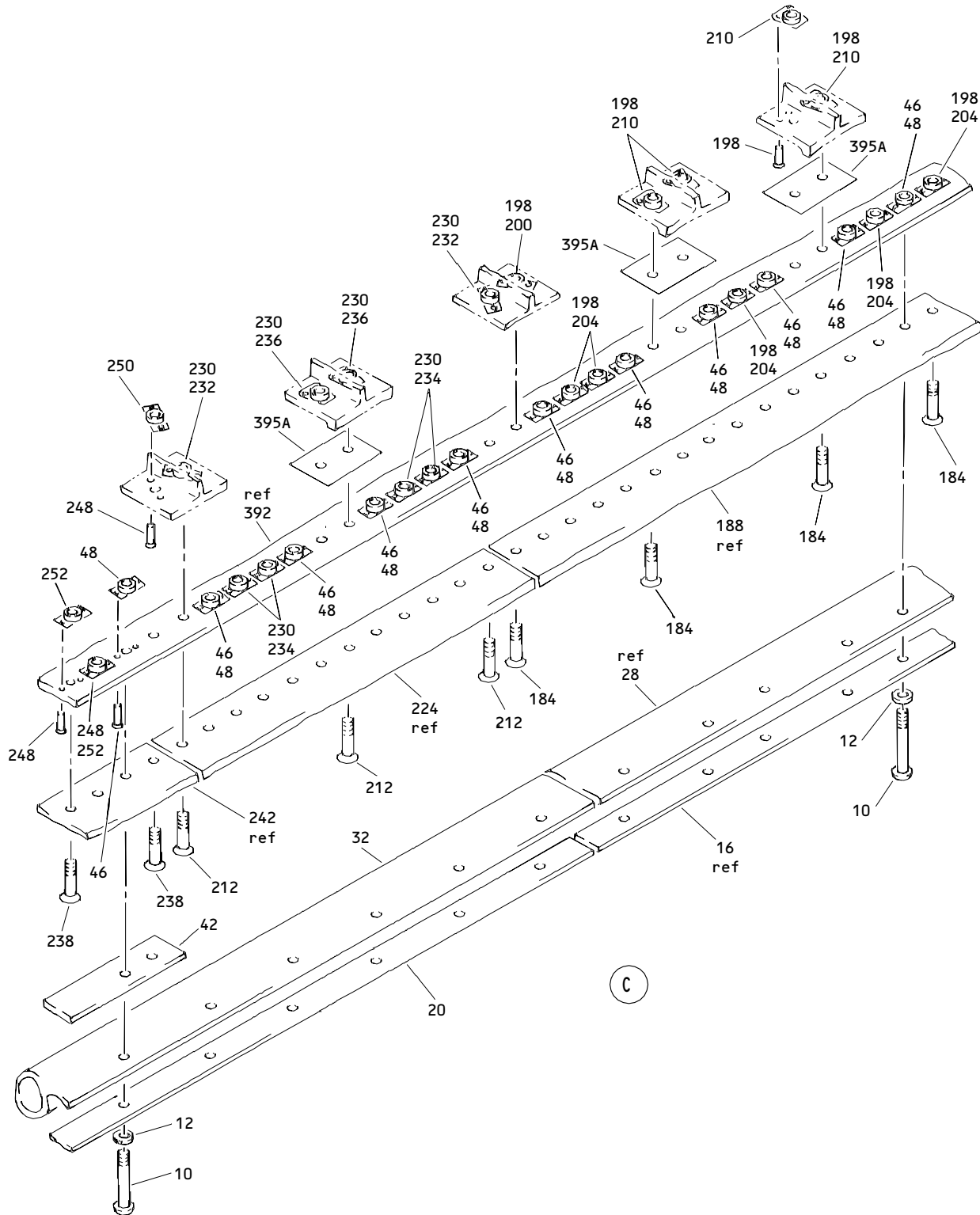
ILLUSTRATED PARTS LIST
 01.1 Page 1070J
 Mar 01/04



Outboard Slat No. 3 Wing Leading Edge Structure Assembly
Figure 3 (Sheet 2)

57-43-51

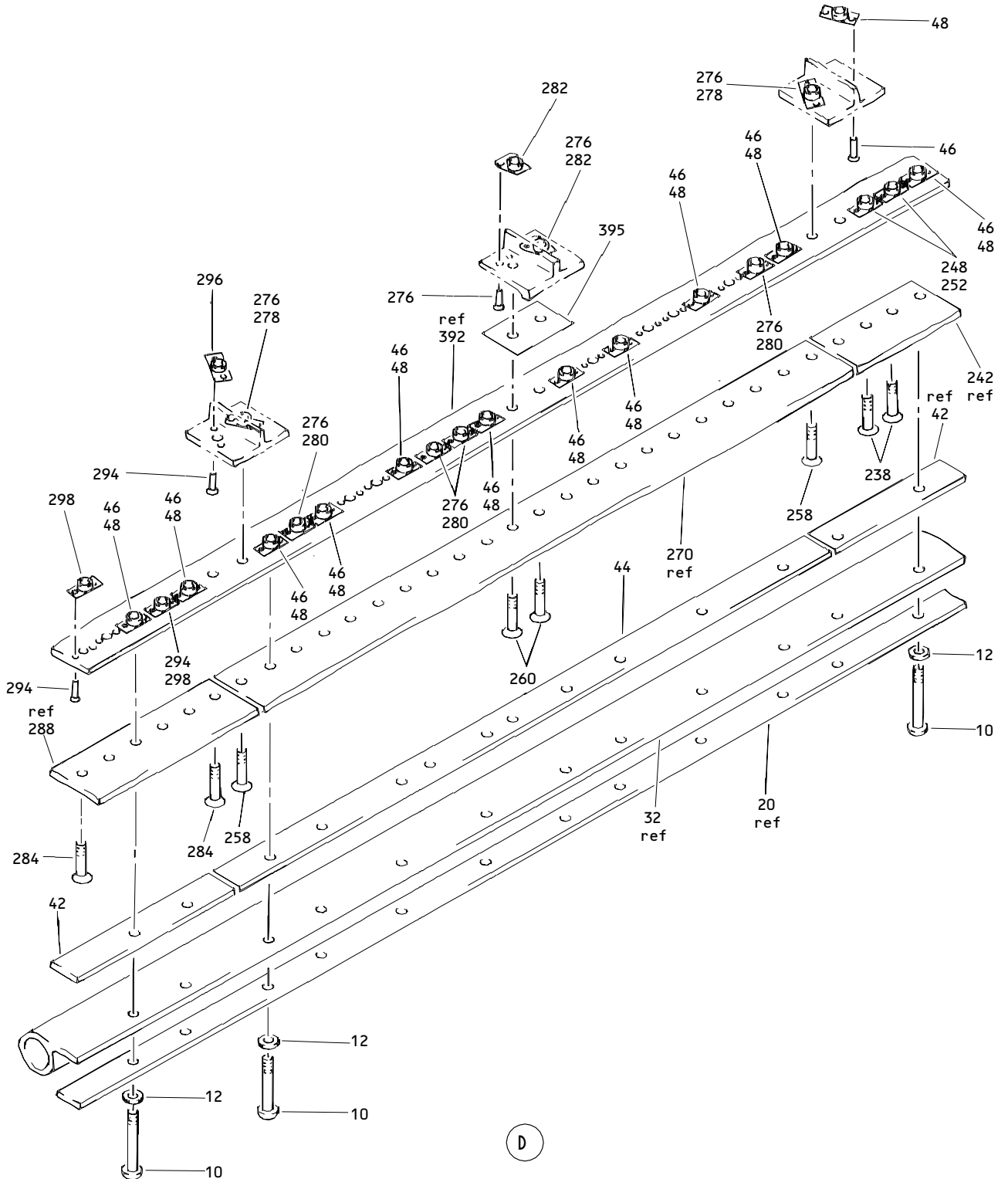
ILLUSTRATED PARTS LIST
01.1 Page 1070K
Mar 01/04



Outboard Slat No. 3 Wing Leading Edge Structure Assembly
 Figure 3 (Sheet 3)

57-43-51

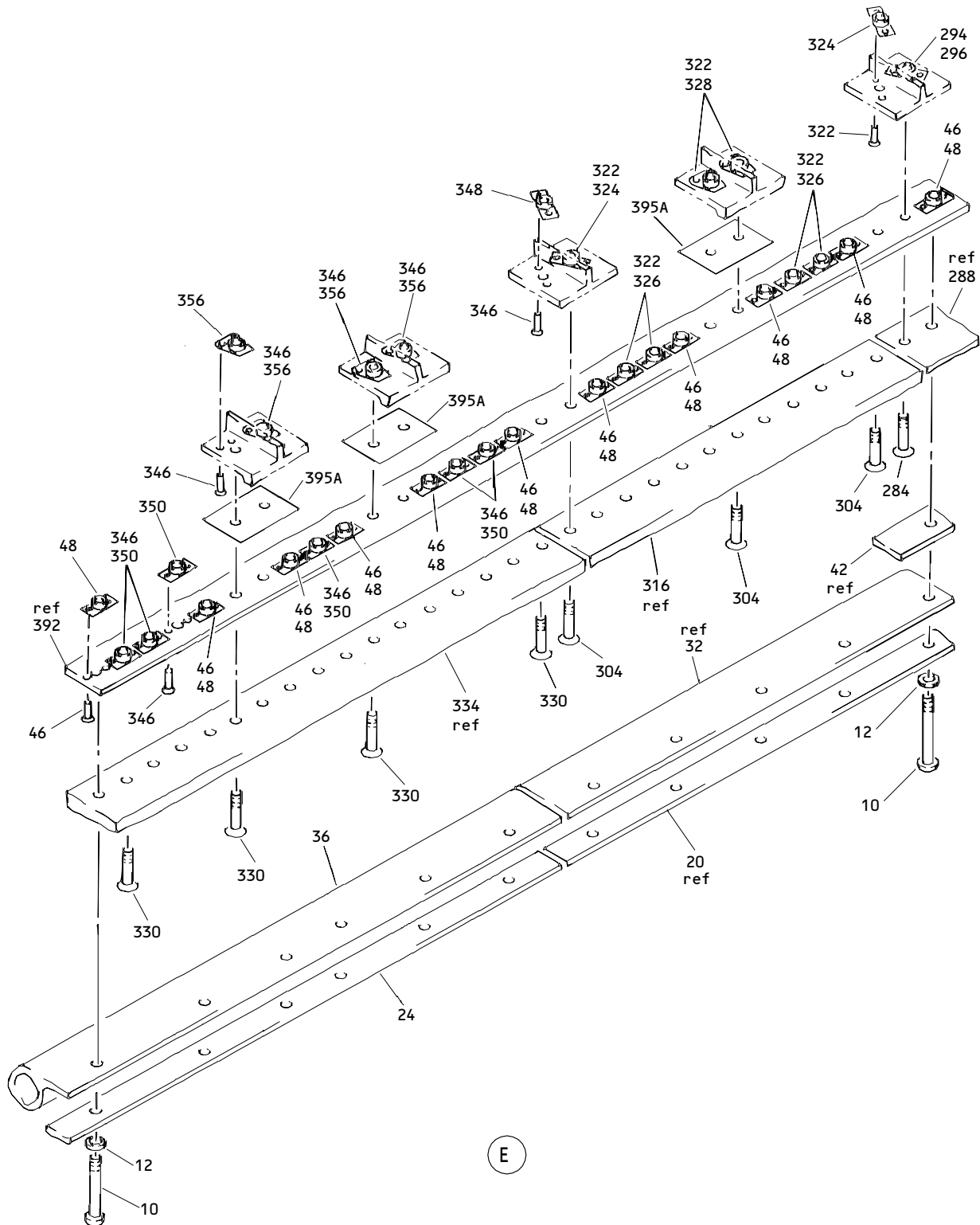
ILLUSTRATED PARTS LIST
 01.1 Page 1070L
 Mar 01/04



Outboard Slat No. 3 Wing Leading Edge Structure Assembly
Figure 3 (Sheet 4)

57-43-51

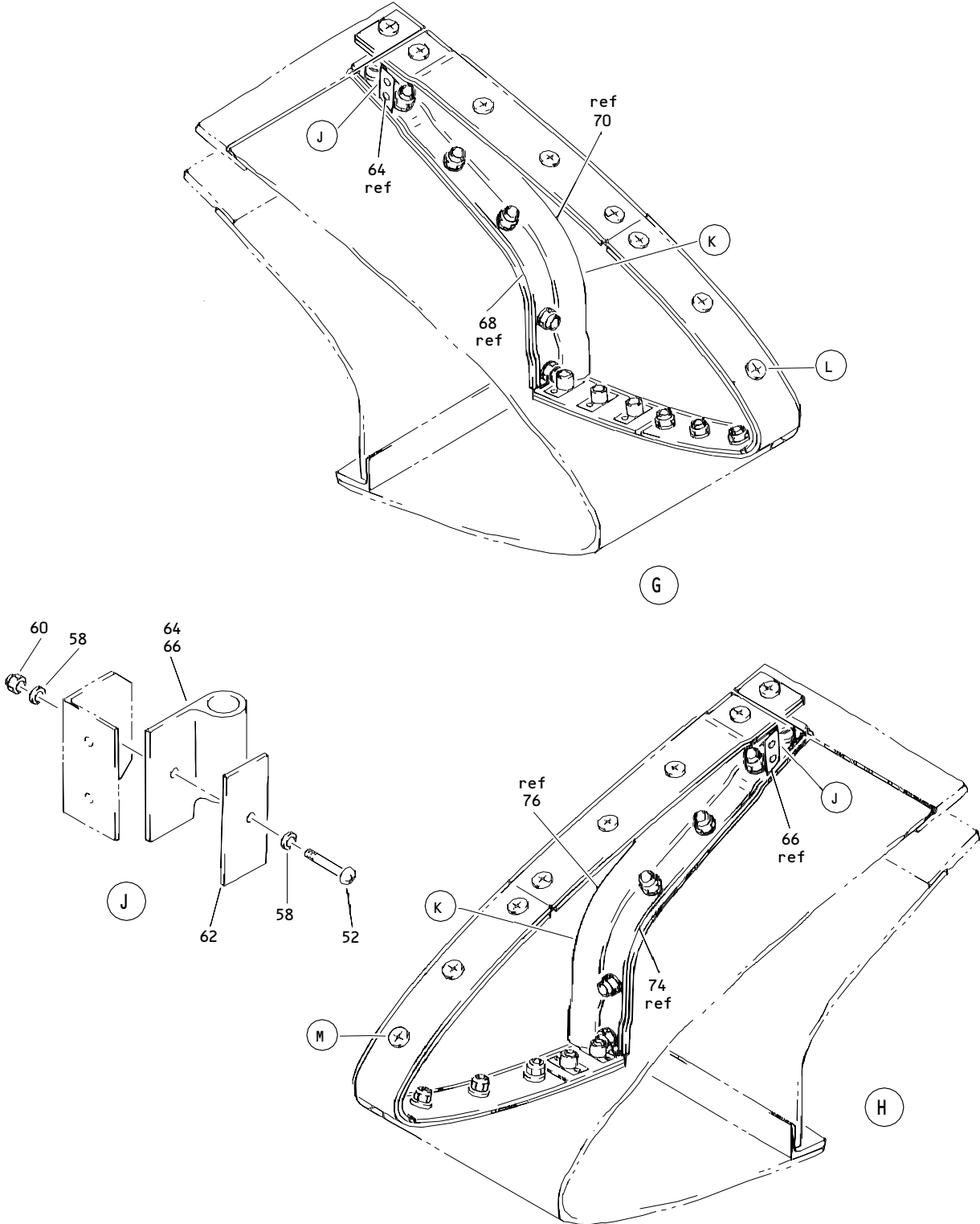
ILLUSTRATED PARTS LIST
01.1 Page 1070M
Mar 01/04



Outboard Slat No. 3 Wing Leading Edge Structure Assembly
 Figure 3 (Sheet 5)

57-43-51

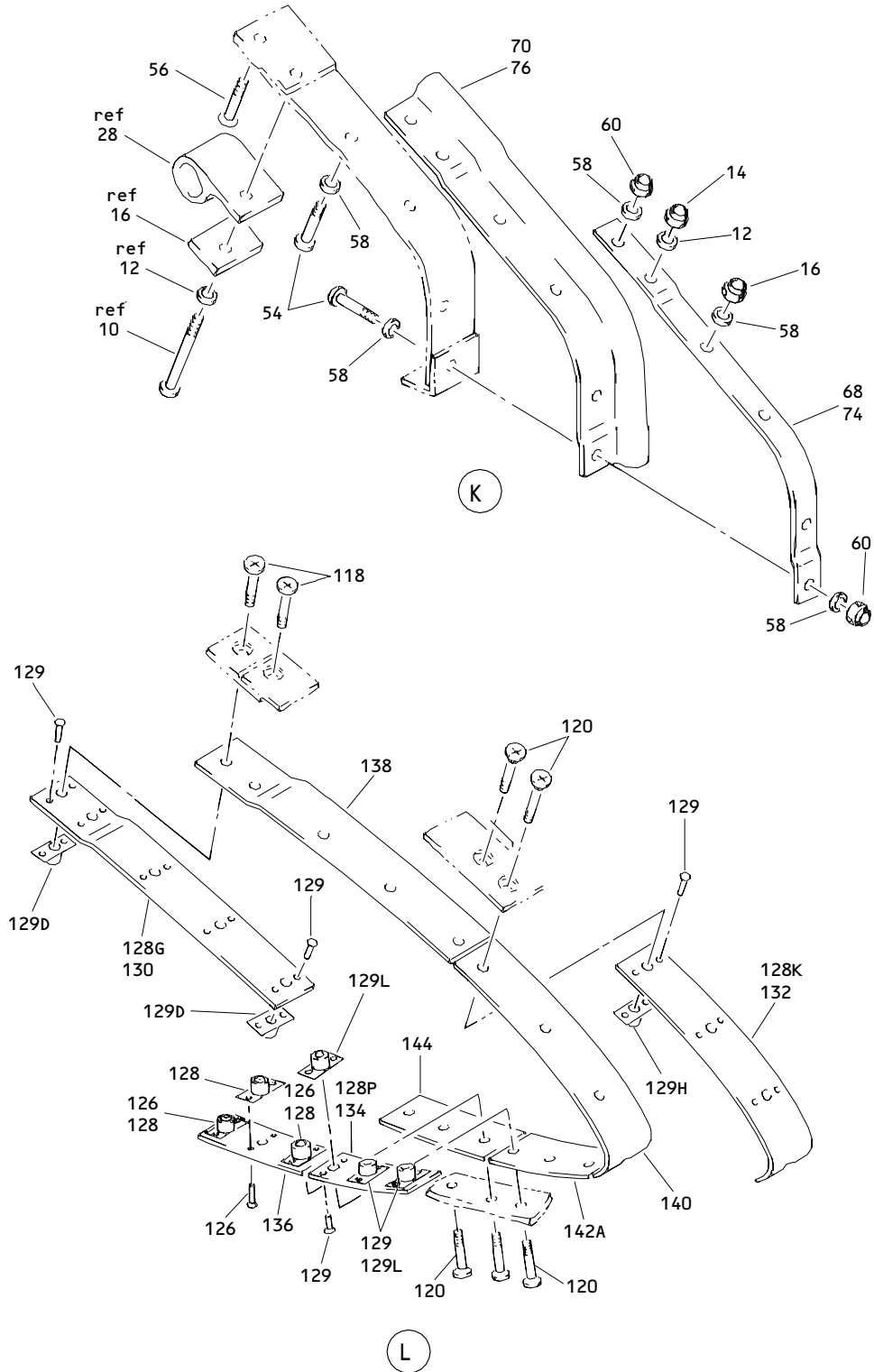
ILLUSTRATED PARTS LIST
 01.1 Page 1070N
 Mar 01/04



Outboard Slat No. 3 Wing Leading Edge Structure Assembly
 Figure 3 (Sheet 7)

57-43-51

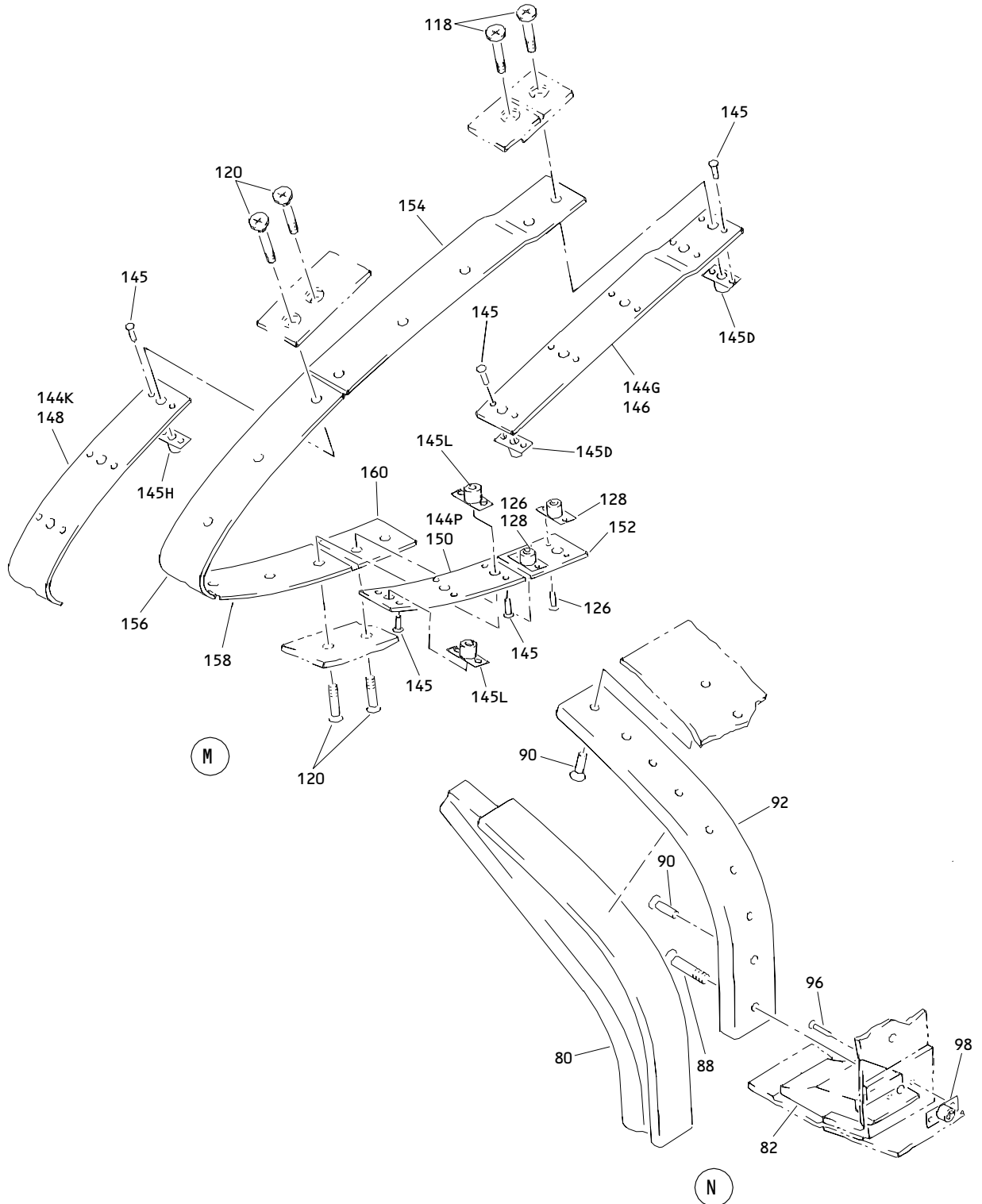
ILLUSTRATED PARTS LIST
 01.1 Page 1070P
 Mar 01/04



Outboard Slat No. 3 Wing Leading Edge Structure Assembly
 Figure 3 (Sheet 8)

57-43-51

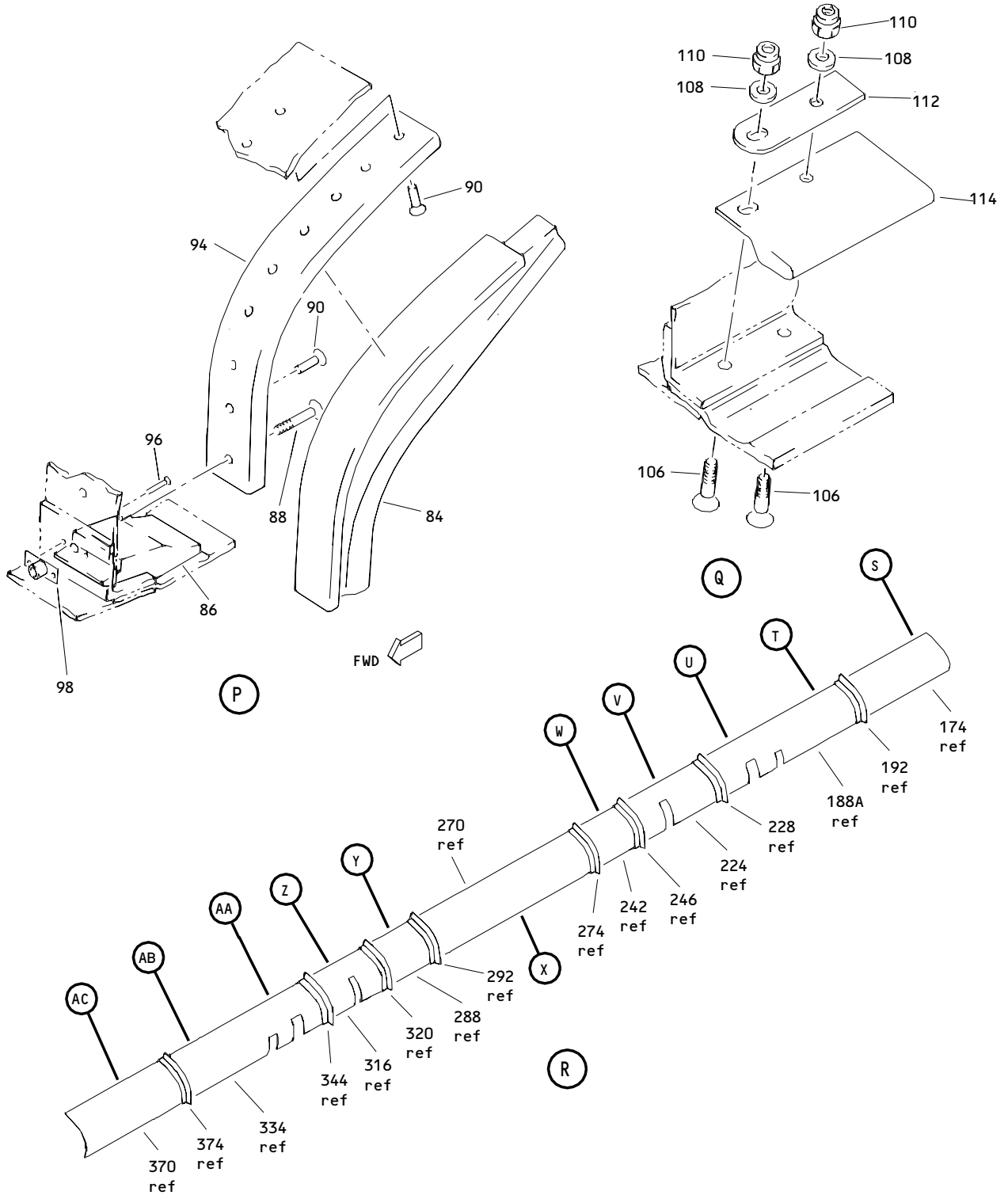
ILLUSTRATED PARTS LIST
 01.1 Page 1070Q
 Mar 01/04



Outboard Slat No. 3 Wing Leading Edge Structure Assembly
 Figure 3 (Sheet 9)

57-43-51

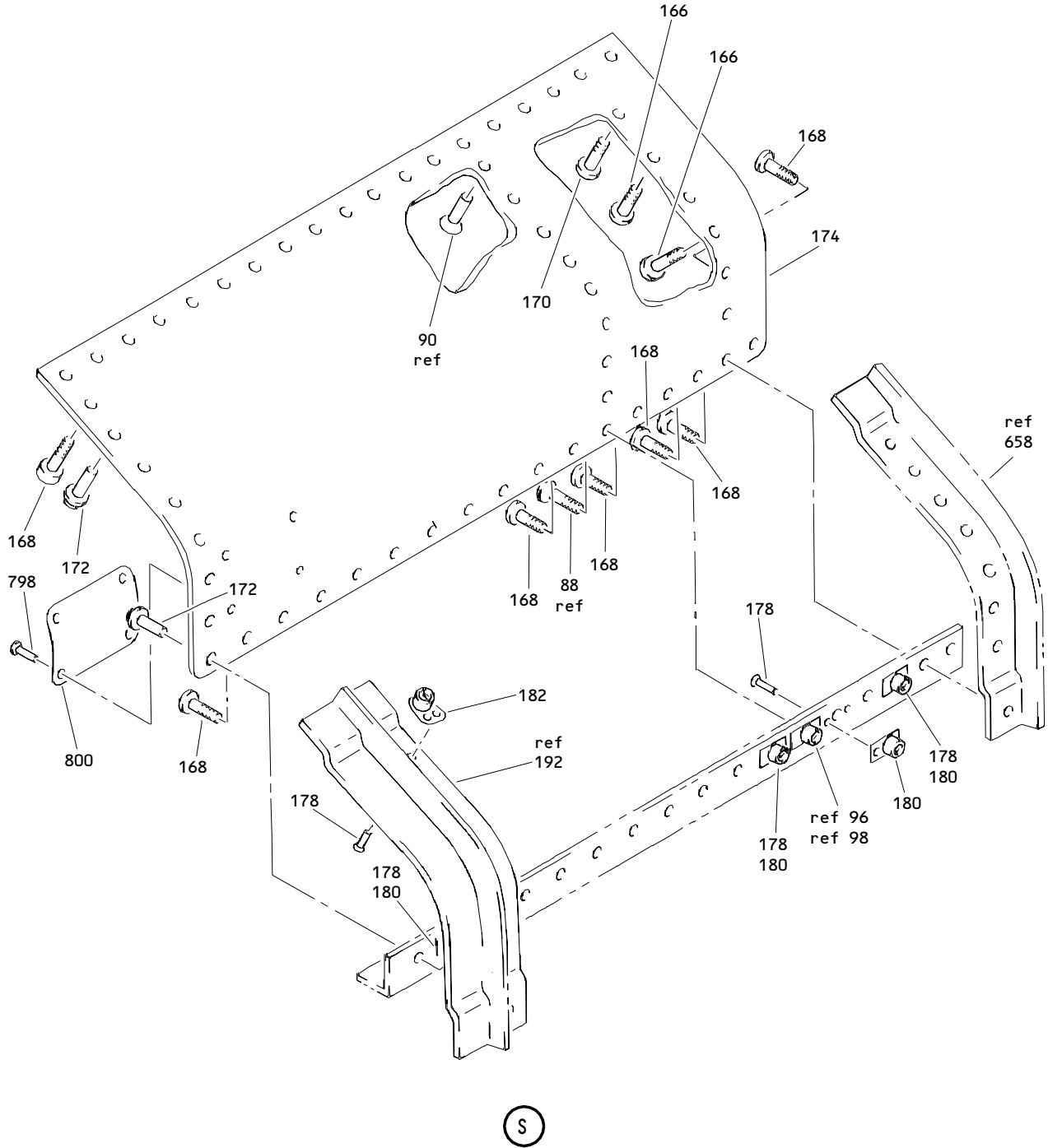
ILLUSTRATED PARTS LIST
 01.1 Page 1070R
 Mar 01/04



Outboard Slat No. 3 Wing Leading Edge Structure Assembly
 Figure 3 (Sheet 10)

57-43-51

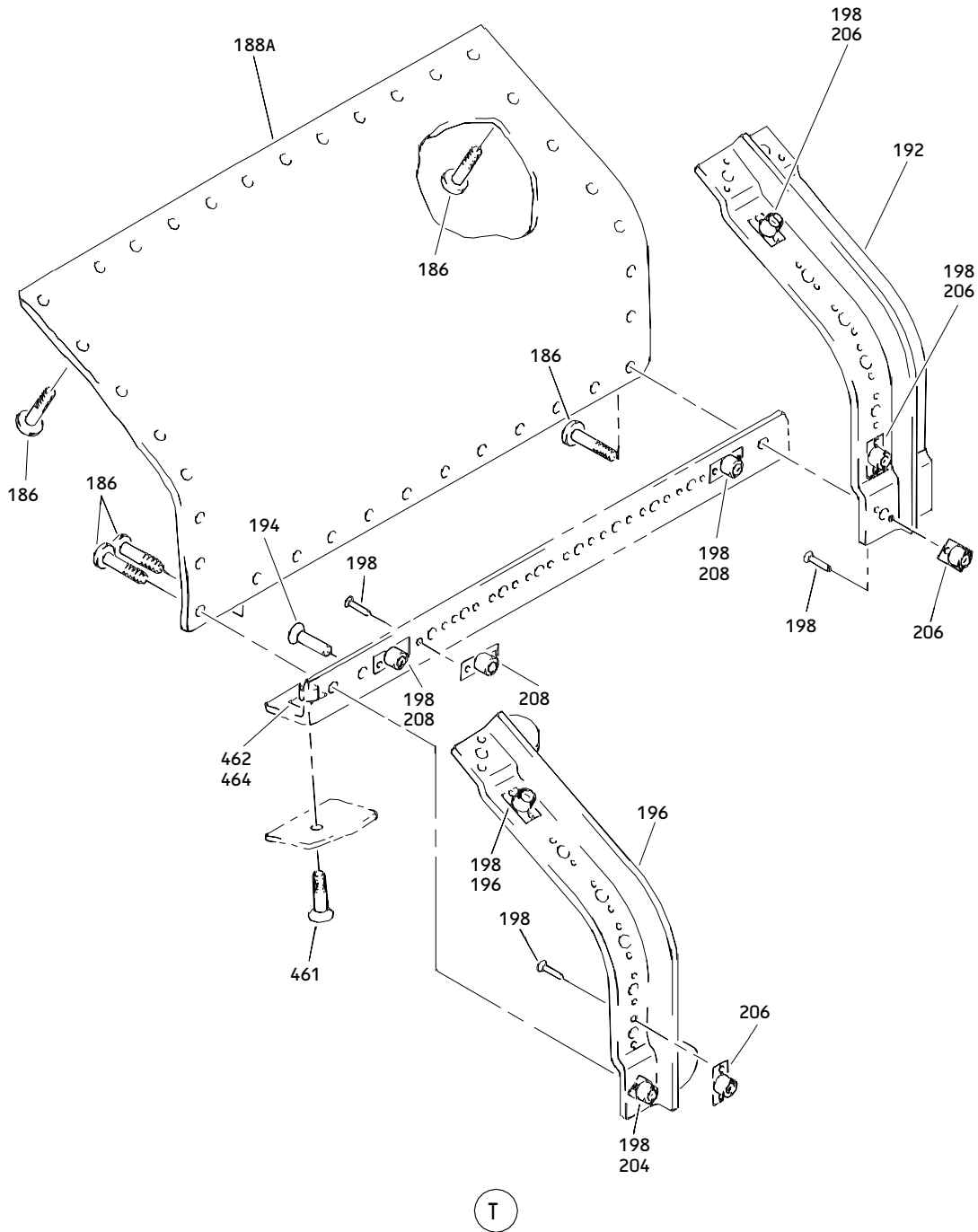
ILLUSTRATED PARTS LIST
 01.1 Page 1070S
 Mar 01/04



Outboard Slat No. 3 Wing Leading Edge Structure Assembly
 Figure 3 (Sheet 11)

57-43-51

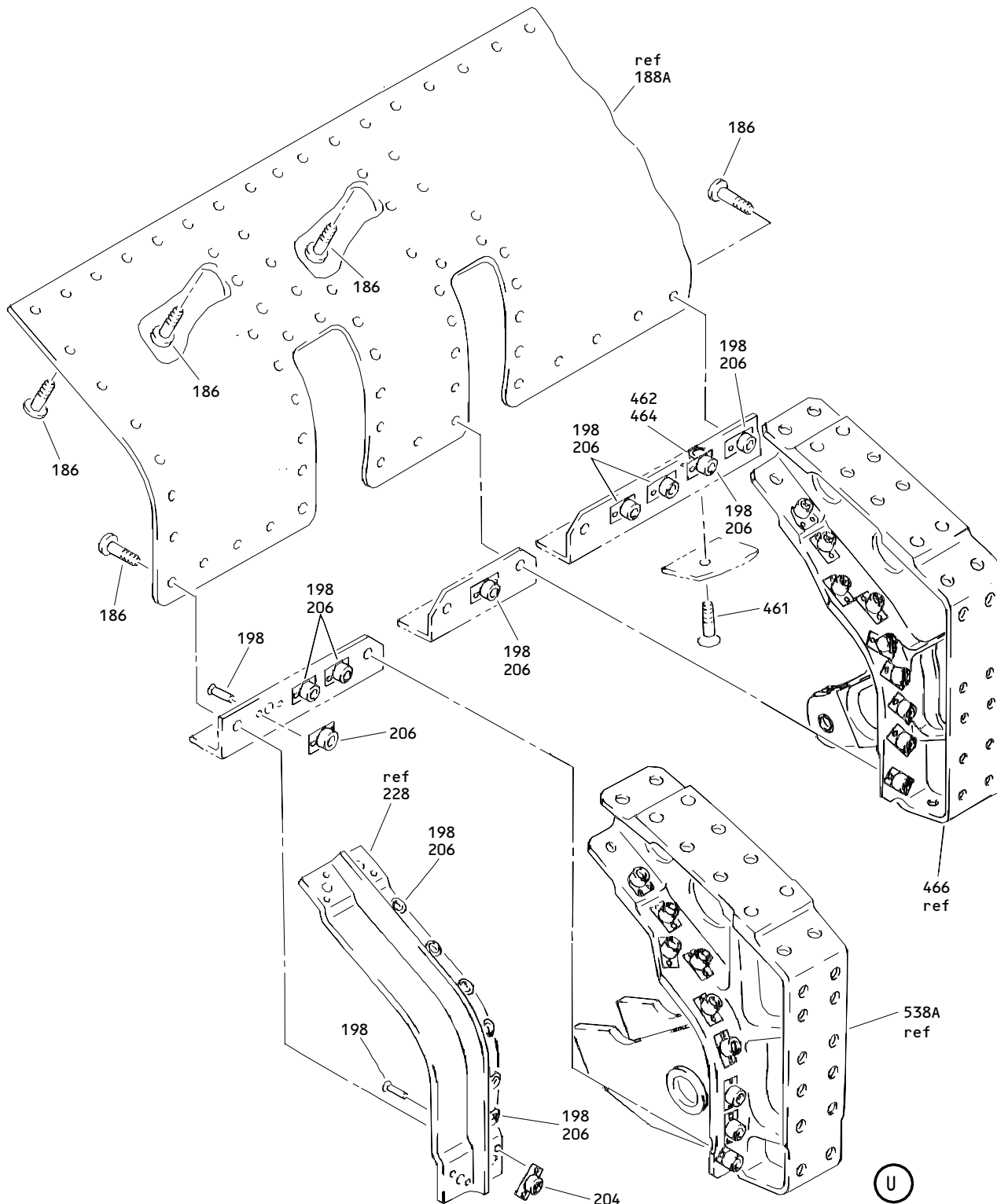
ILLUSTRATED PARTS LIST
 01.1 Page 1070T
 Mar 01/04



Outboard Slat No. 3 Wing Leading Edge Structure Assembly
Figure 3 (Sheet 12)

57-43-51

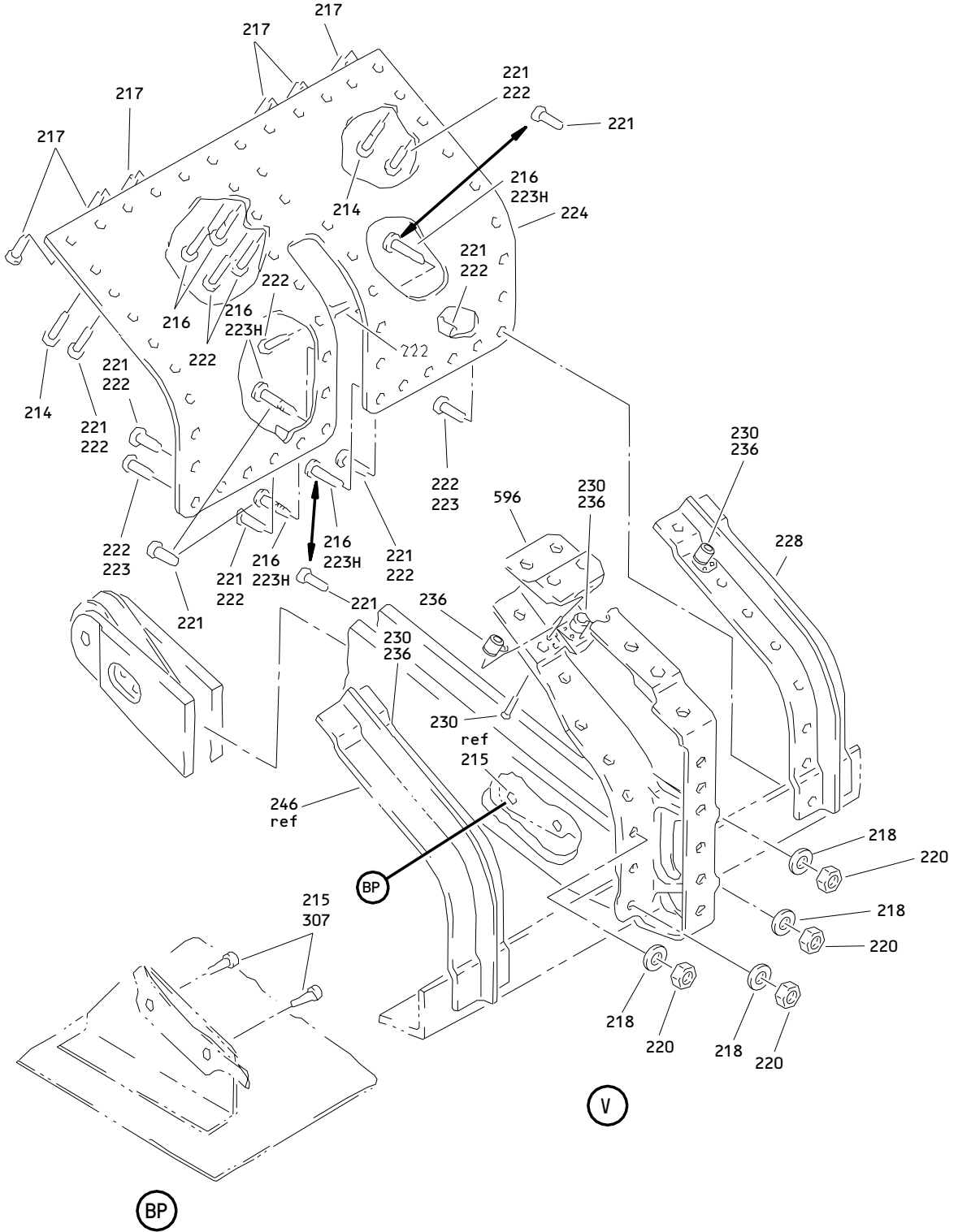
ILLUSTRATED PARTS LIST
01.1 Page 1070U
Mar 01/04



Outboard Slat No. 3 Wing Leading Edge Structure Assembly
 Figure 3 (Sheet 13)

57-43-51

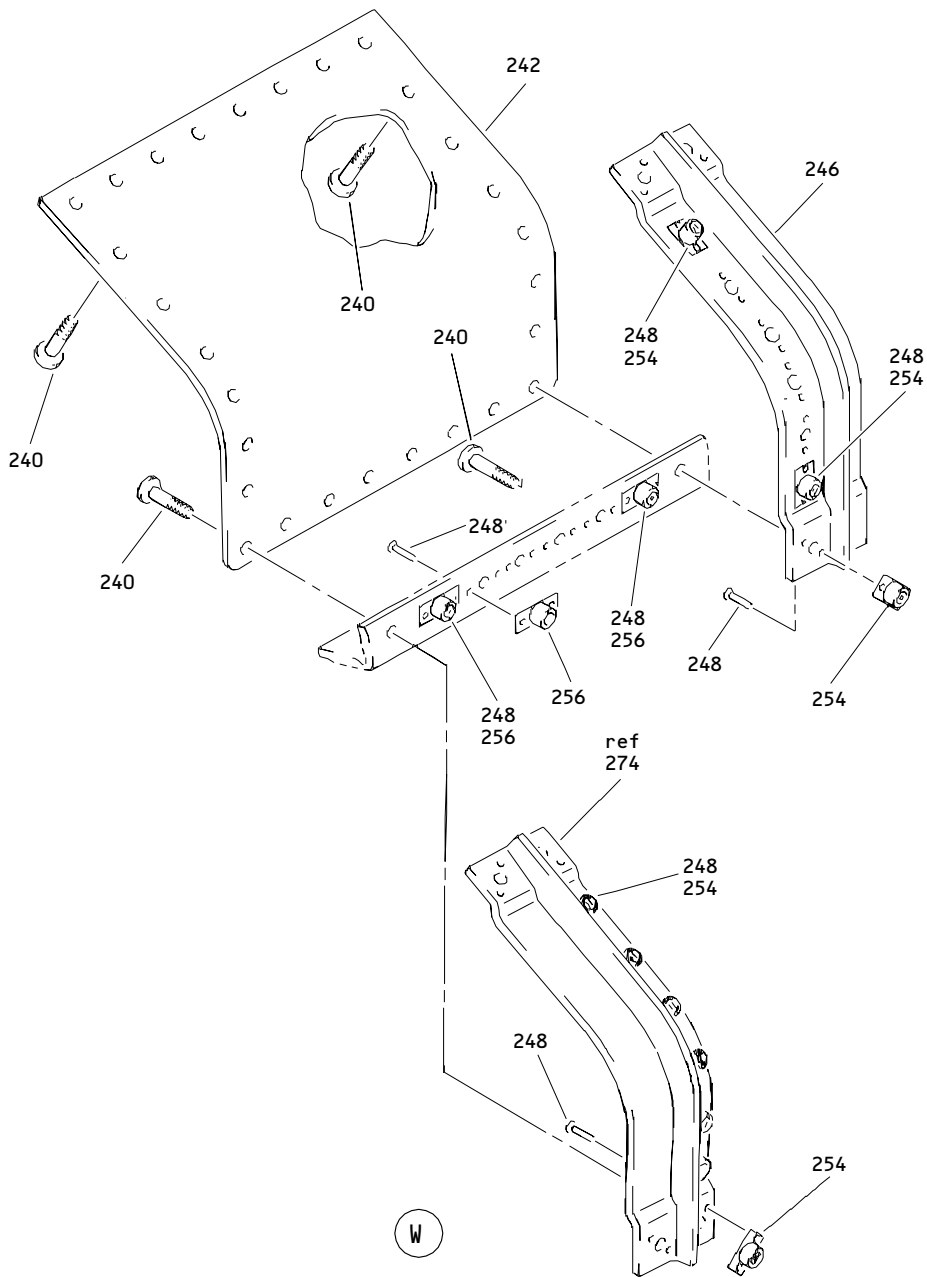
ILLUSTRATED PARTS LIST
 01.1 Page 1070V
 Mar 01/04



Outboard Slat No. 3 Wing Leading Edge Structure Assembly
 Figure 3 (Sheet 14)

57-43-51

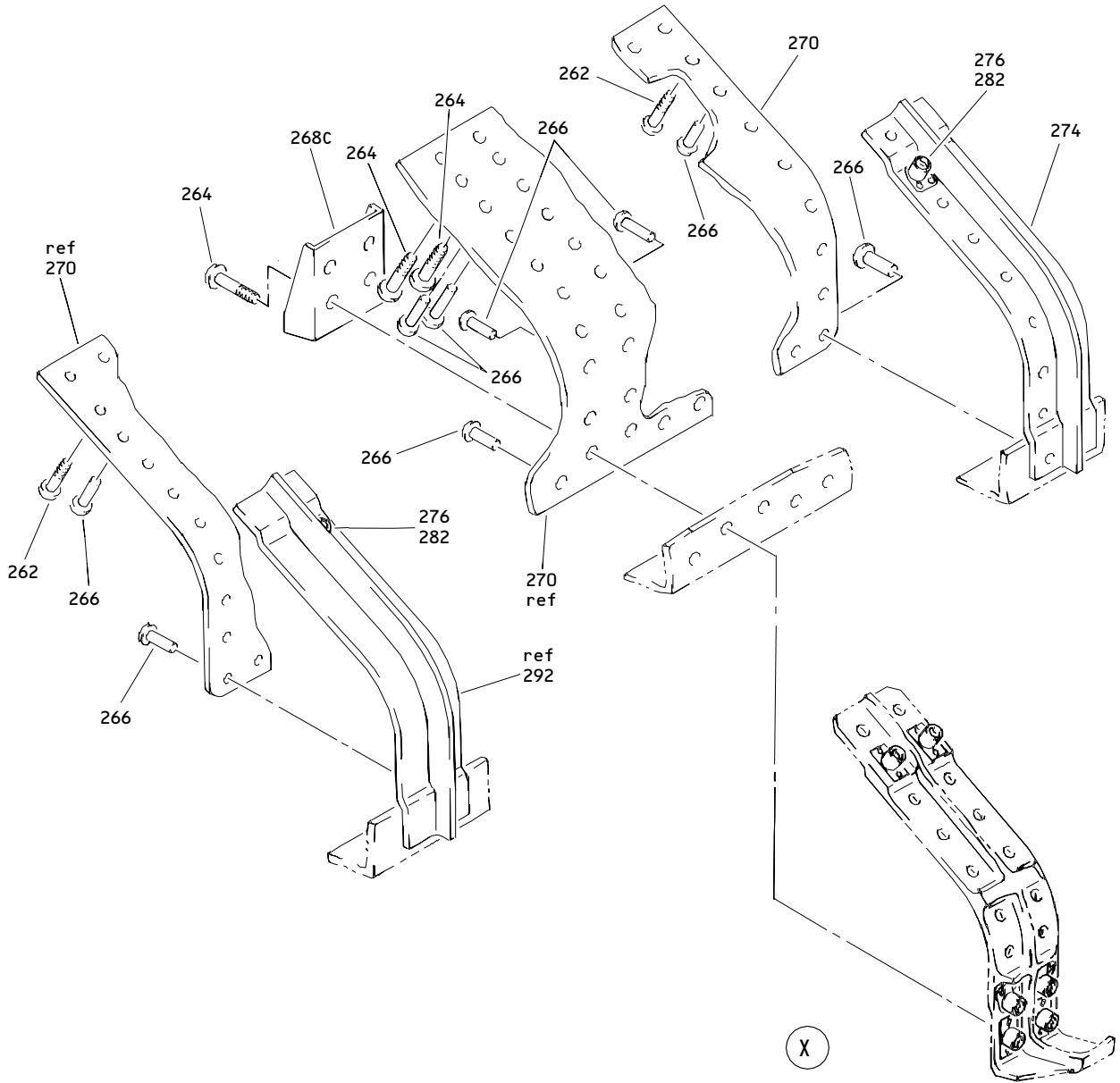
ILLUSTRATED PARTS LIST
 01.1 Page 1070W
 Mar 01/04



Outboard Slat No. 3 Wing Leading Edge Structure Assembly
 Figure 3 (Sheet 15)

57-43-51

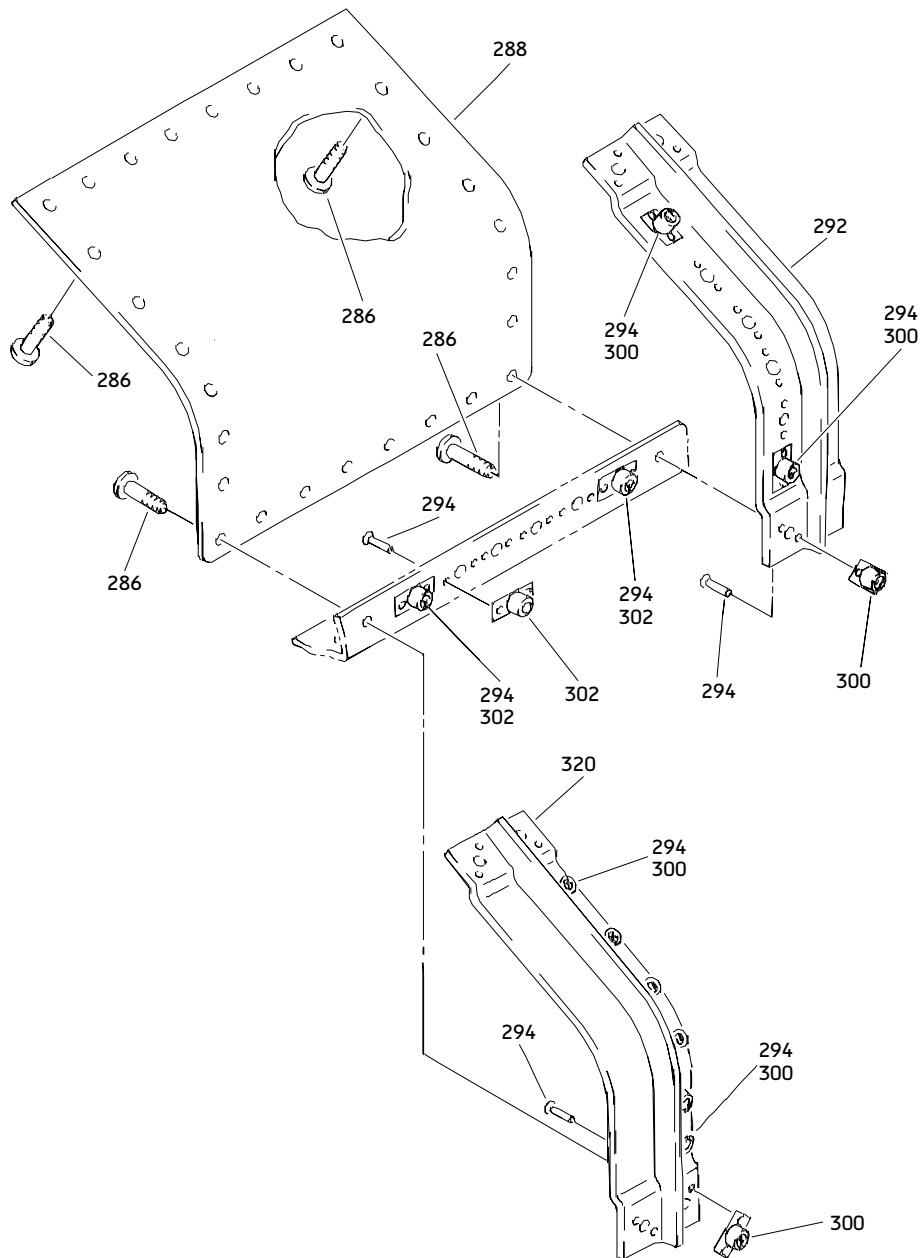
ILLUSTRATED PARTS LIST
 01.1 Page 1070X
 Mar 01/04



Outboard Slat No. 3 Wing Leading Edge Structure Assembly
Figure 3 (Sheet 16)

57-43-51

ILLUSTRATED PARTS LIST
01.1 Page 1070Y
Mar 01/04

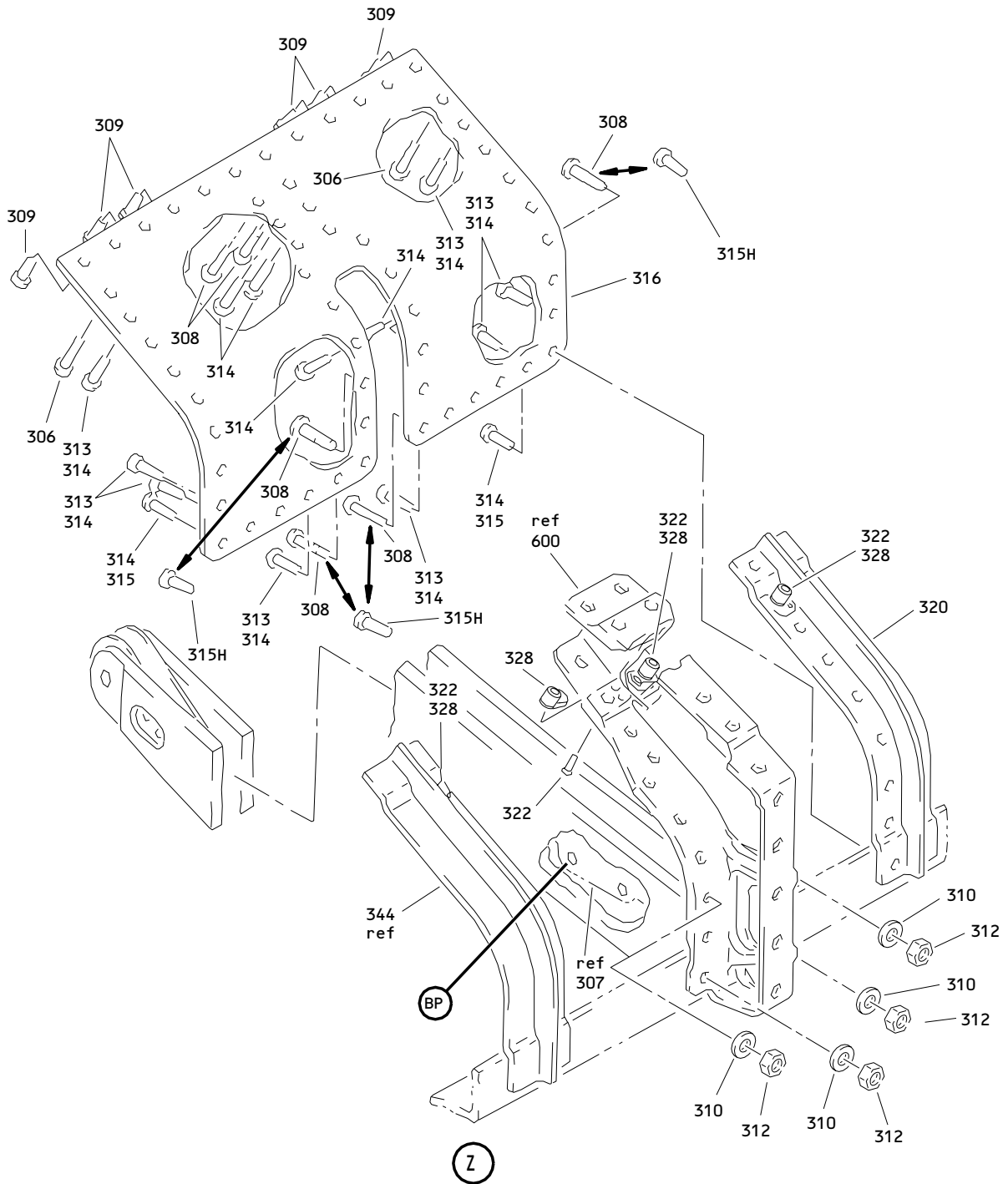


Y

Outboard Slat No. 3 Wing Leading Edge Structure Assembly
Figure 3 (Sheet 17)

57-43-51

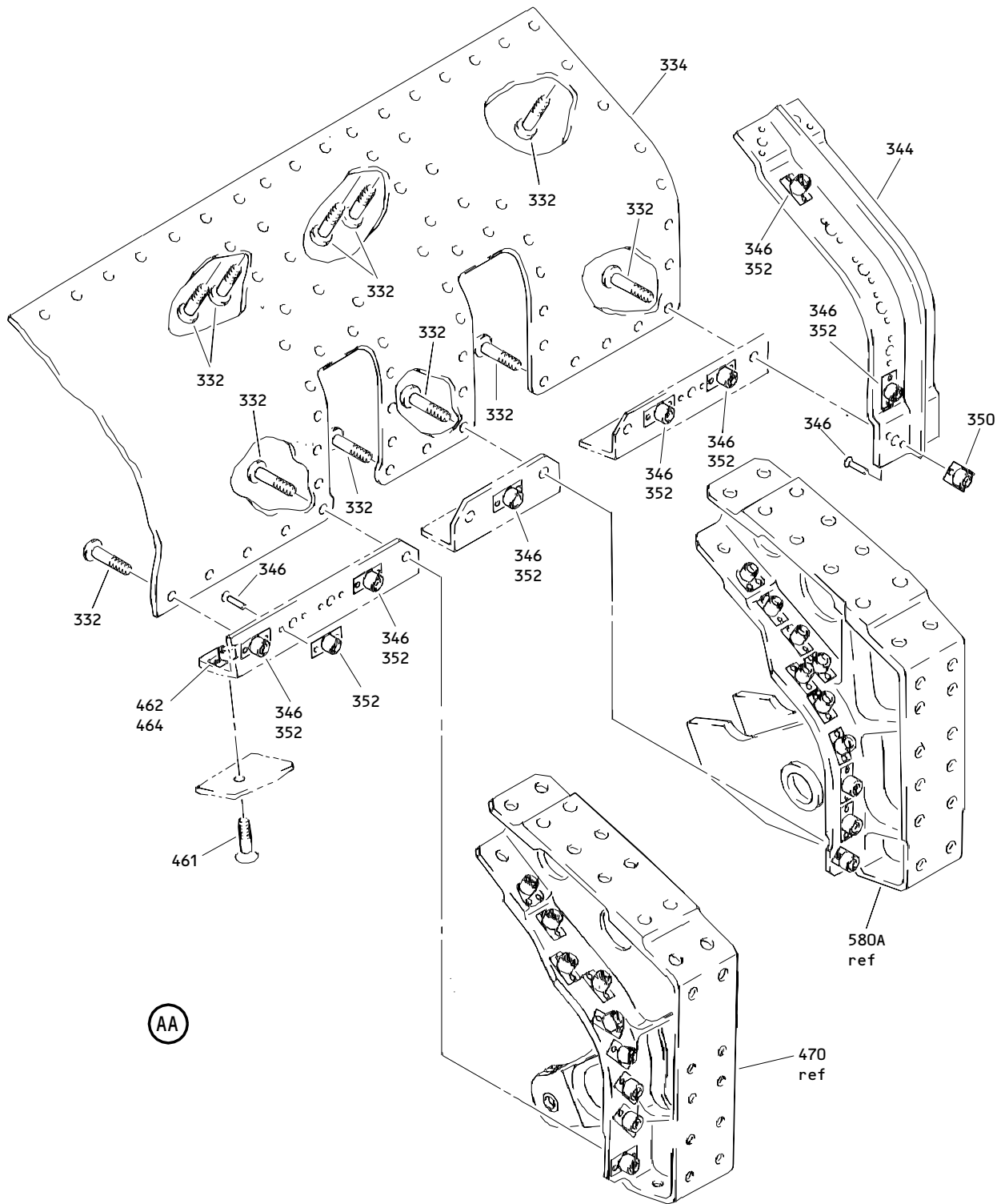
ILLUSTRATED PARTS LIST
01.1 Page 1070Z
Mar 01/04



Outboard Slat No. 3 Wing Leading Edge Structure Assembly
Figure 3 (Sheet 18)

57-43-51

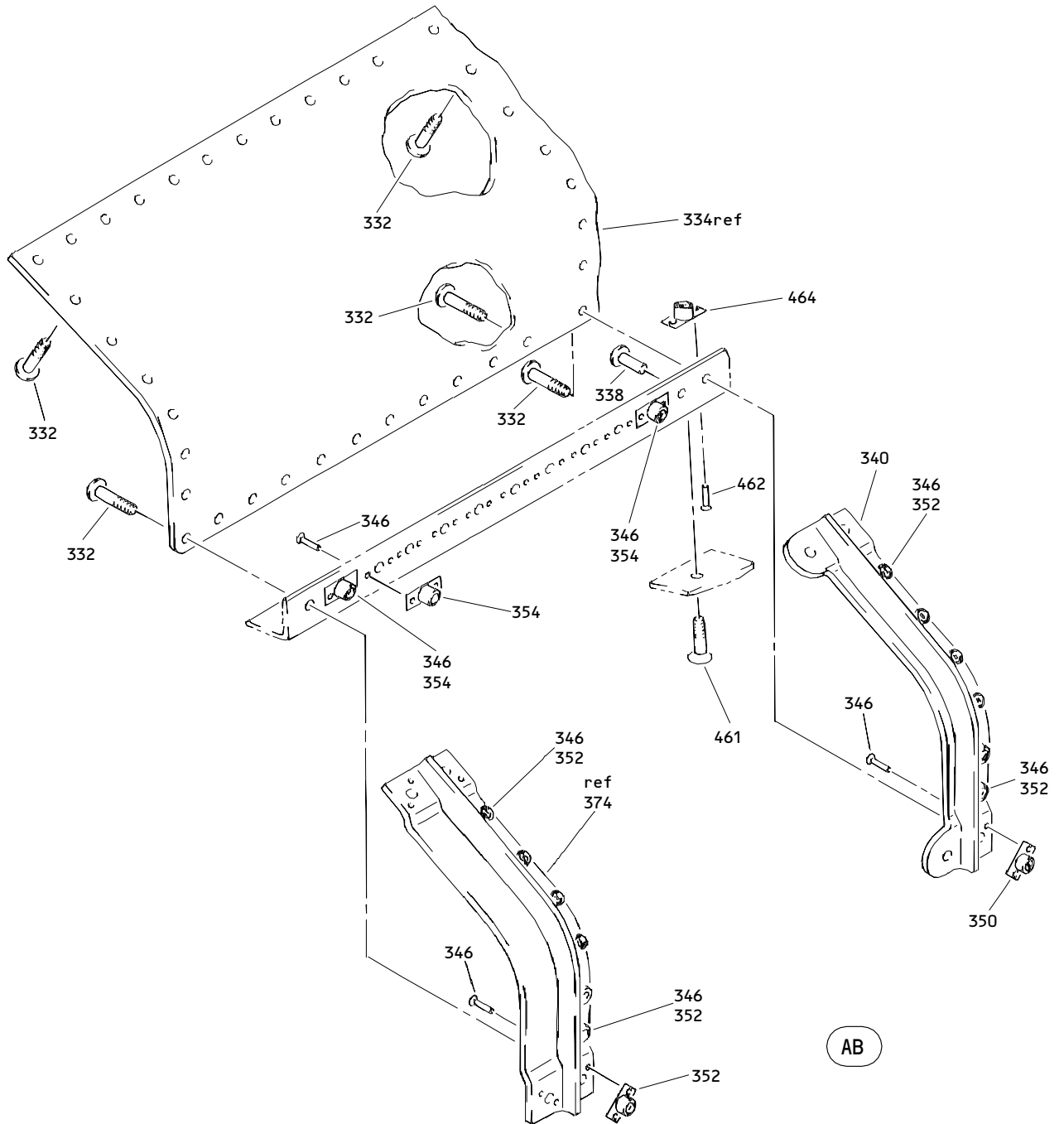
ILLUSTRATED PARTS LIST
01.1 Page 1071
Mar 01/04



Outboard Slat No. 3 Wing Leading Edge Structure Assembly
 Figure 3 (Sheet 19)

57-43-51

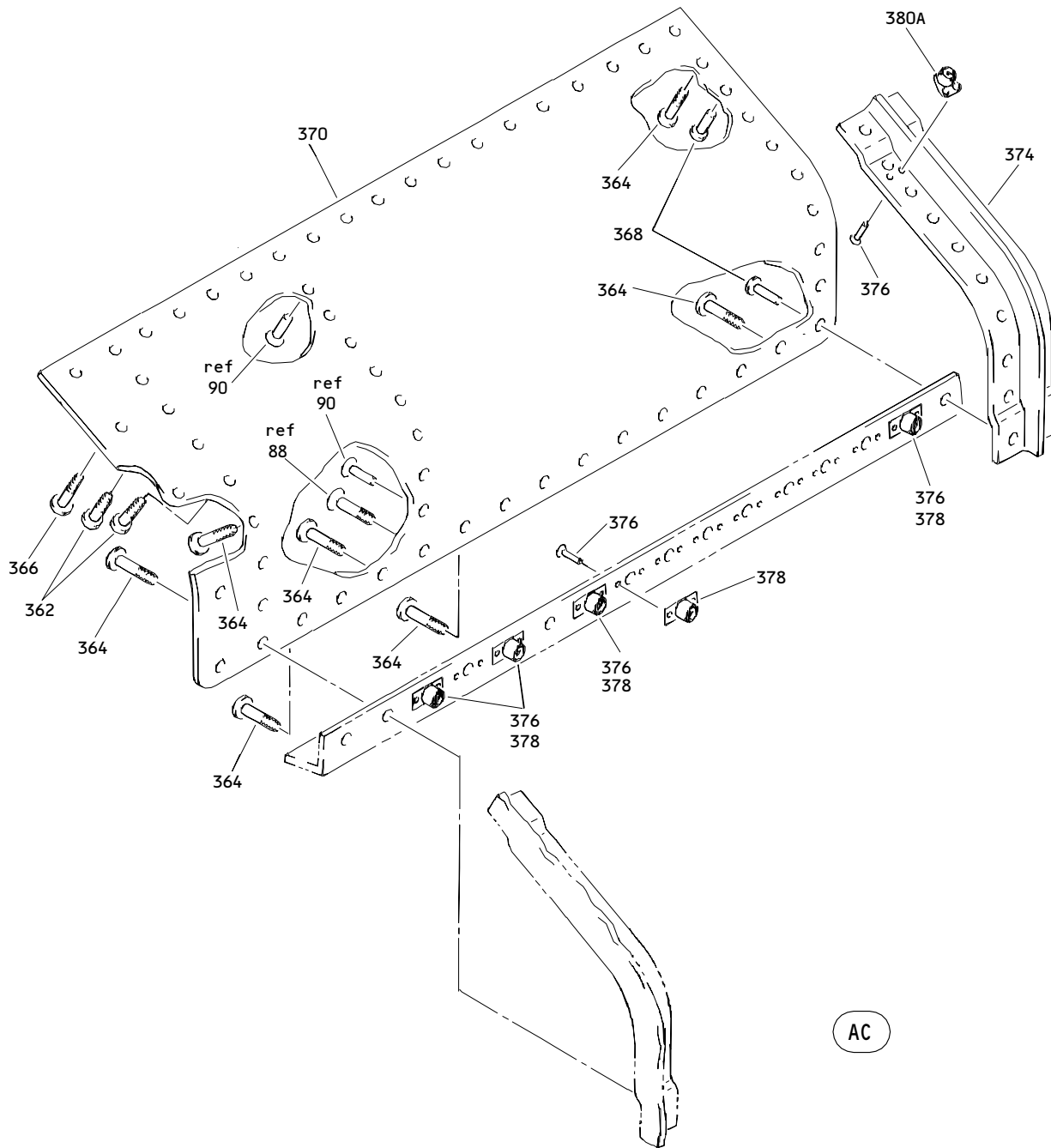
ILLUSTRATED PARTS LIST
 01.1 Page 1072
 Mar 01/04



Outboard Slat No. 3 Wing Leading Edge Structure Assembly
Figure 3 (Sheet 20)

57-43-51

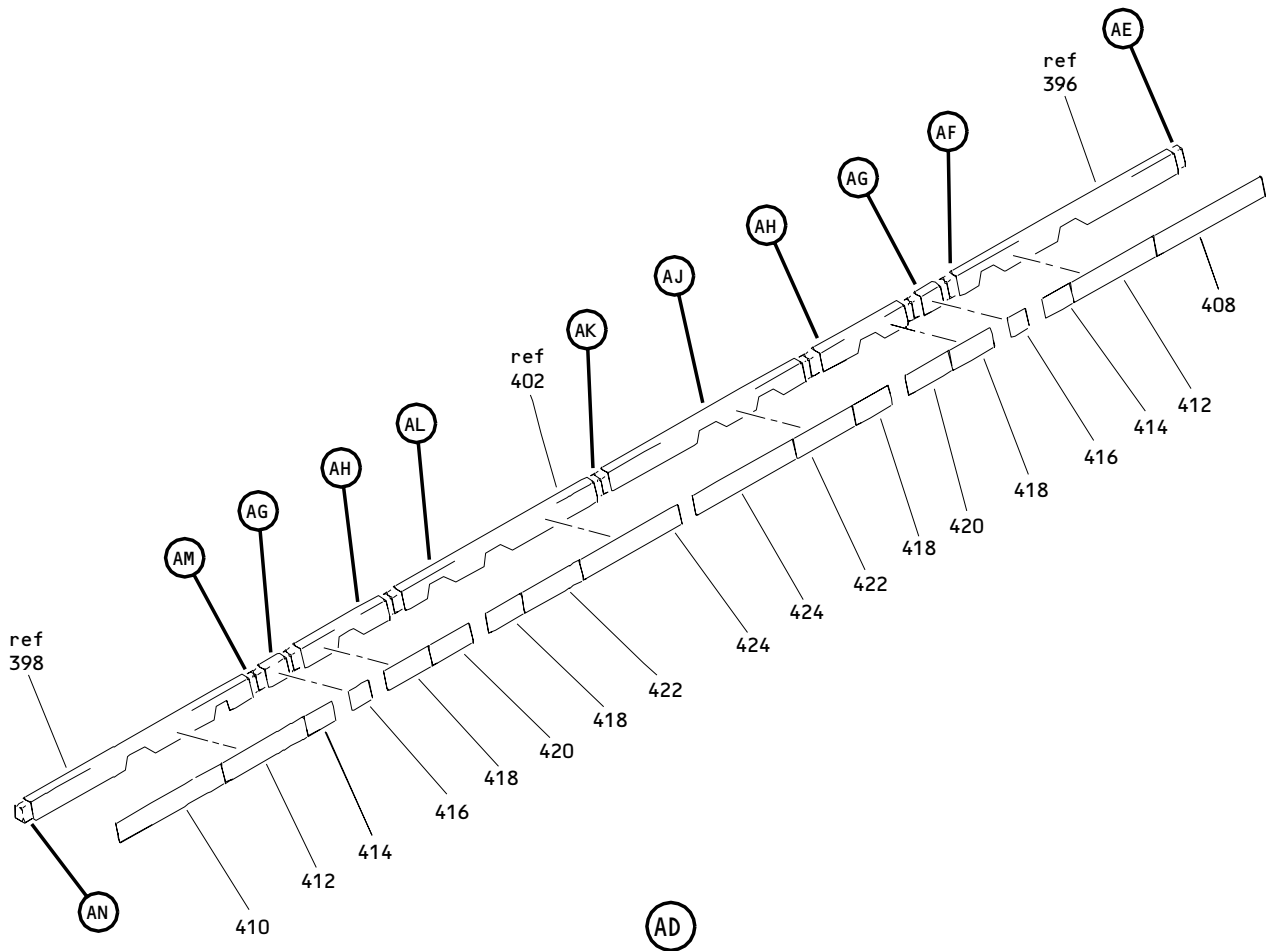
ILLUSTRATED PARTS LIST
01.1 Page 1072A
Mar 01/04



Outboard Slat No. 3 Wing Leading Edge Structure Assembly
Figure 3 (Sheet 21)

57-43-51

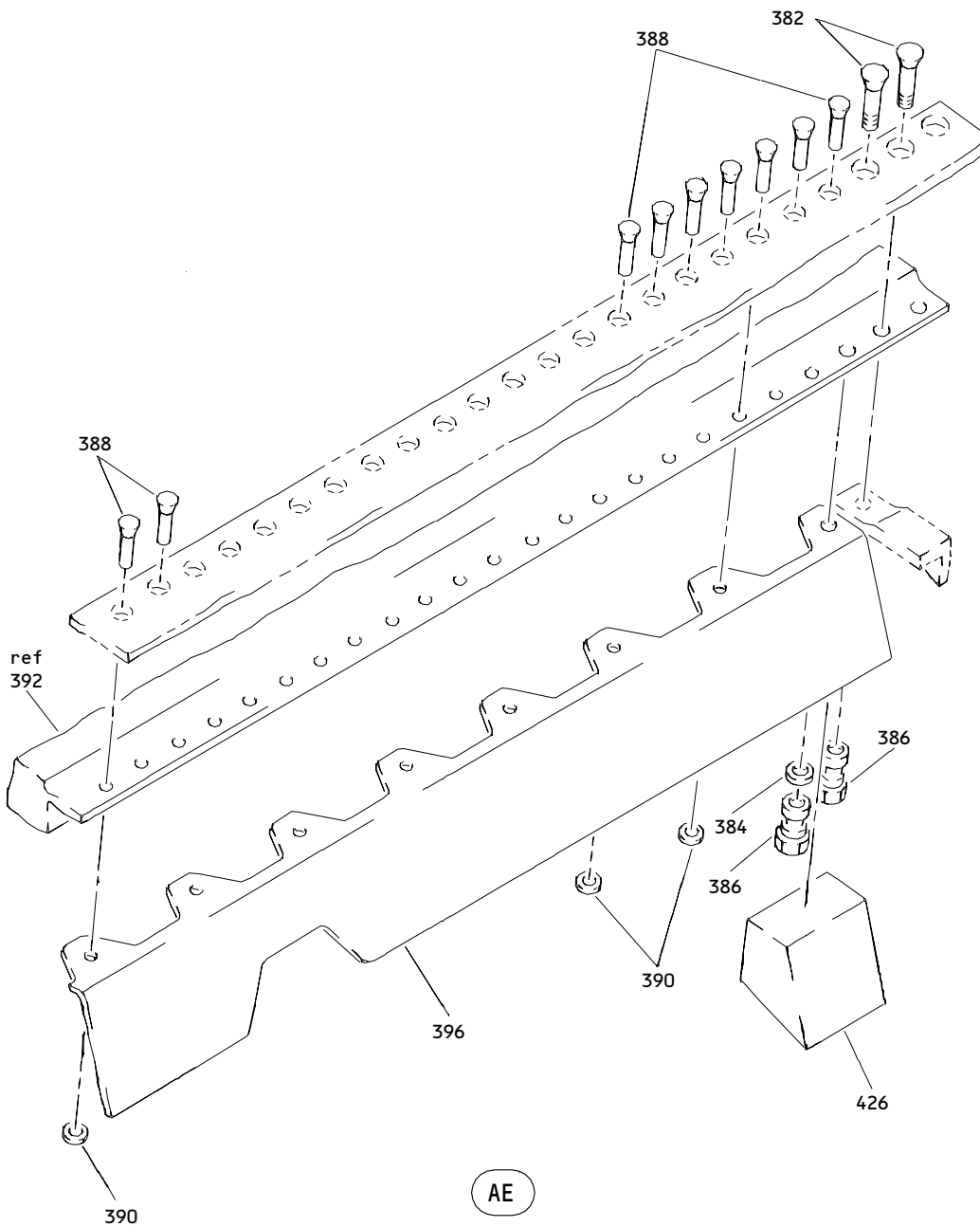
ILLUSTRATED PARTS LIST
01.1 Page 1072B
Mar 01/04



Outboard Slat No. 3 Wing Leading Edge Structure Assembly
Figure 3 (Sheet 22)

57-43-51

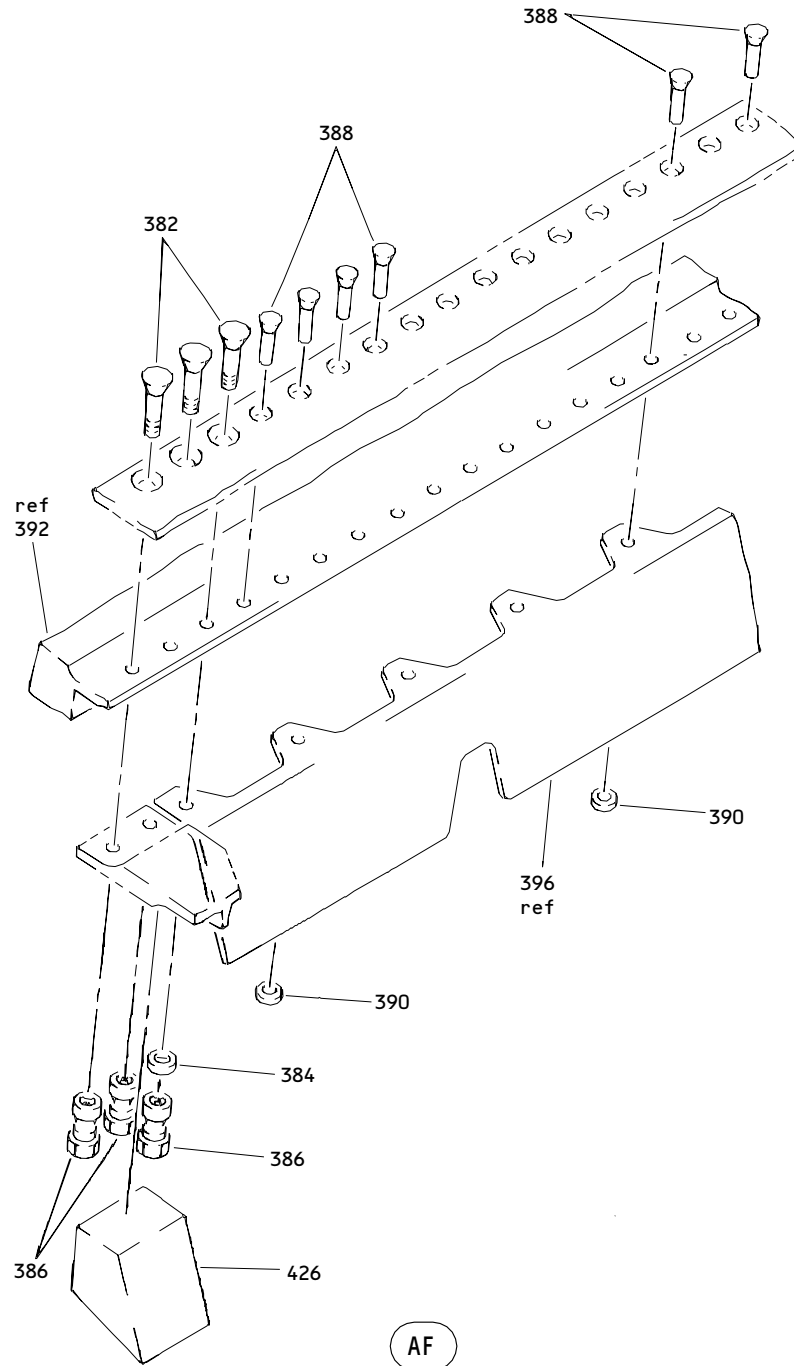
ILLUSTRATED PARTS LIST
01.1 Page 1072C
Mar 01/04



Outboard Slat No. 3 Wing Leading Edge Structure Assembly
Figure 3 (Sheet 23)

57-43-51

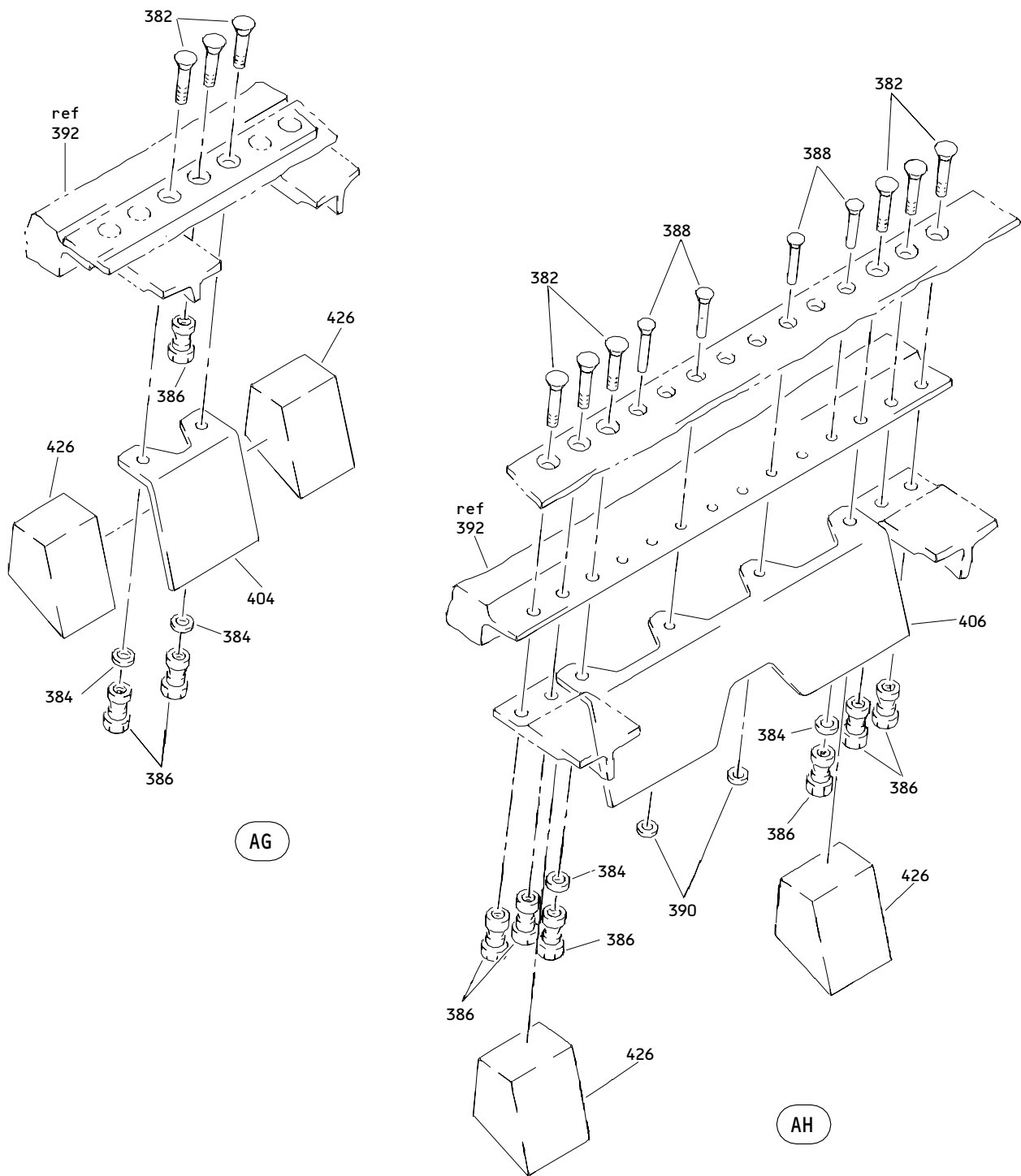
ILLUSTRATED PARTS LIST
01.1 Page 1072D
Mar 01/04



Outboard Slat No. 3 Wing Leading Edge Structure Assembly
Figure 3 (Sheet 24)

57-43-51

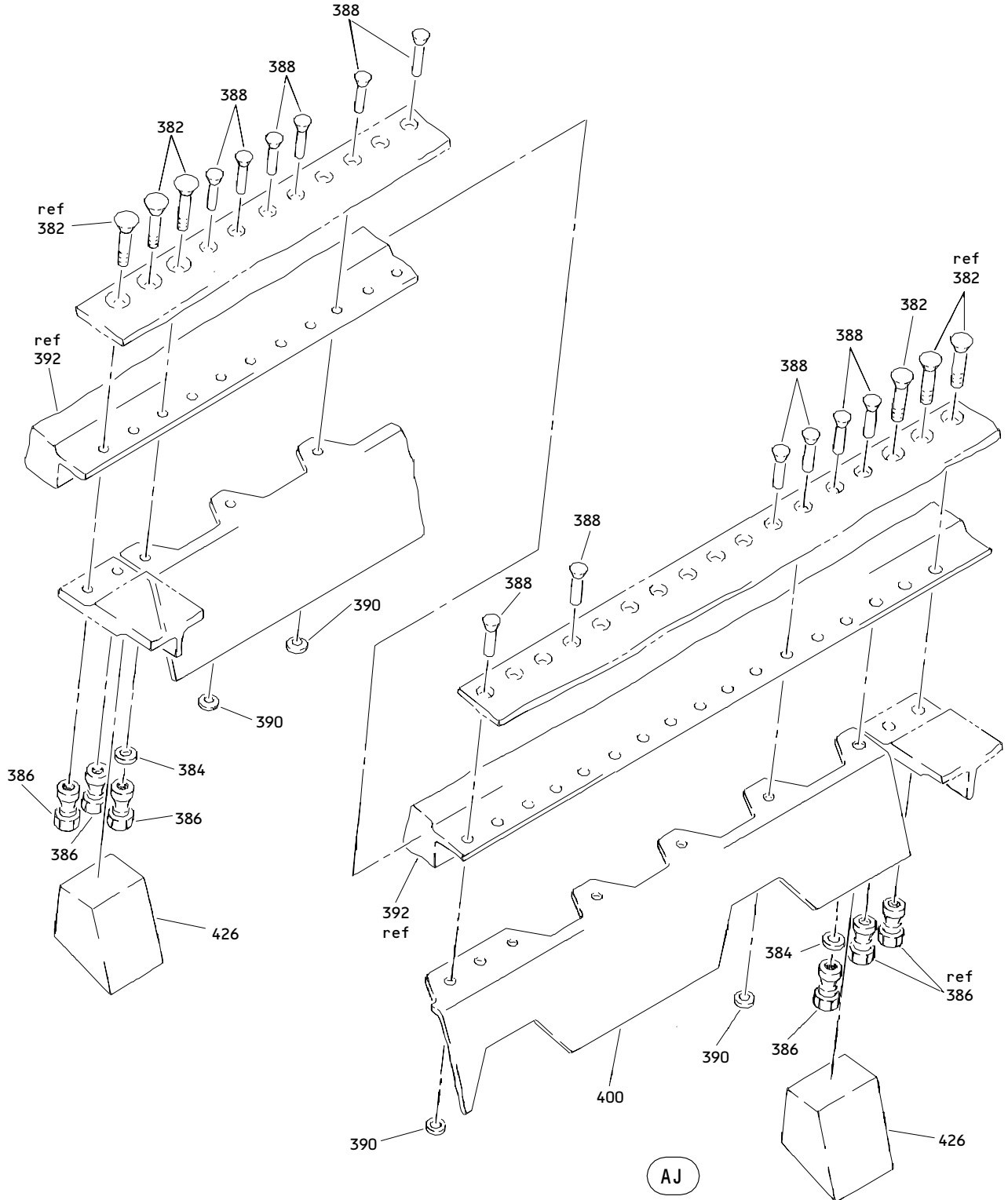
ILLUSTRATED PARTS LIST
01.1 Page 1072E
Mar 01/04



Outboard Slat No. 3 Wing Leading Edge Structure Assembly
 Figure 3 (Sheet 25)

57-43-51

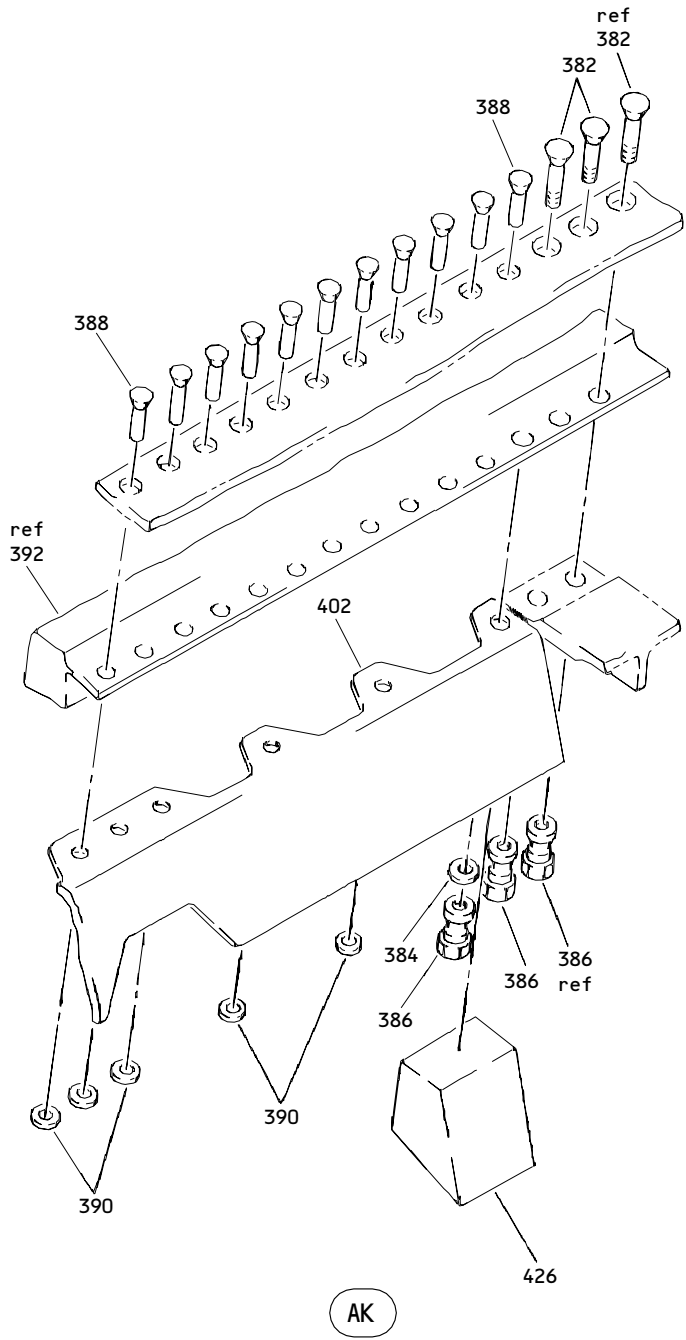
ILLUSTRATED PARTS LIST
 01.1 Page 1072F
 Mar 01/04



Outboard Slat No. 3 Wing Leading Edge Structure Assembly
Figure 3 (Sheet 26)

57-43-51

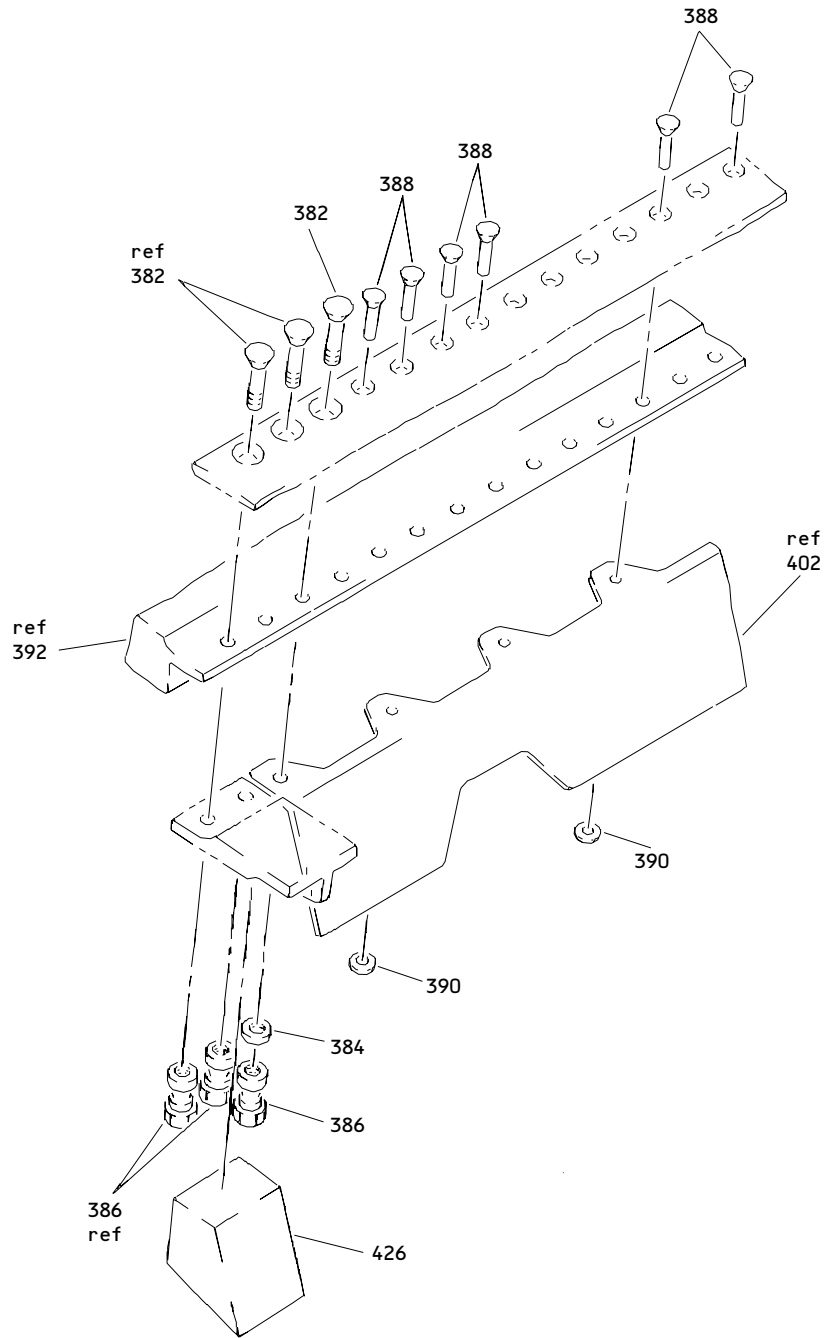
ILLUSTRATED PARTS LIST
01.1 Page 1072G
Mar 01/04



Outboard Slat No. 3 Wing Leading Edge Structure Assembly
 Figure 3 (Sheet 27)

57-43-51

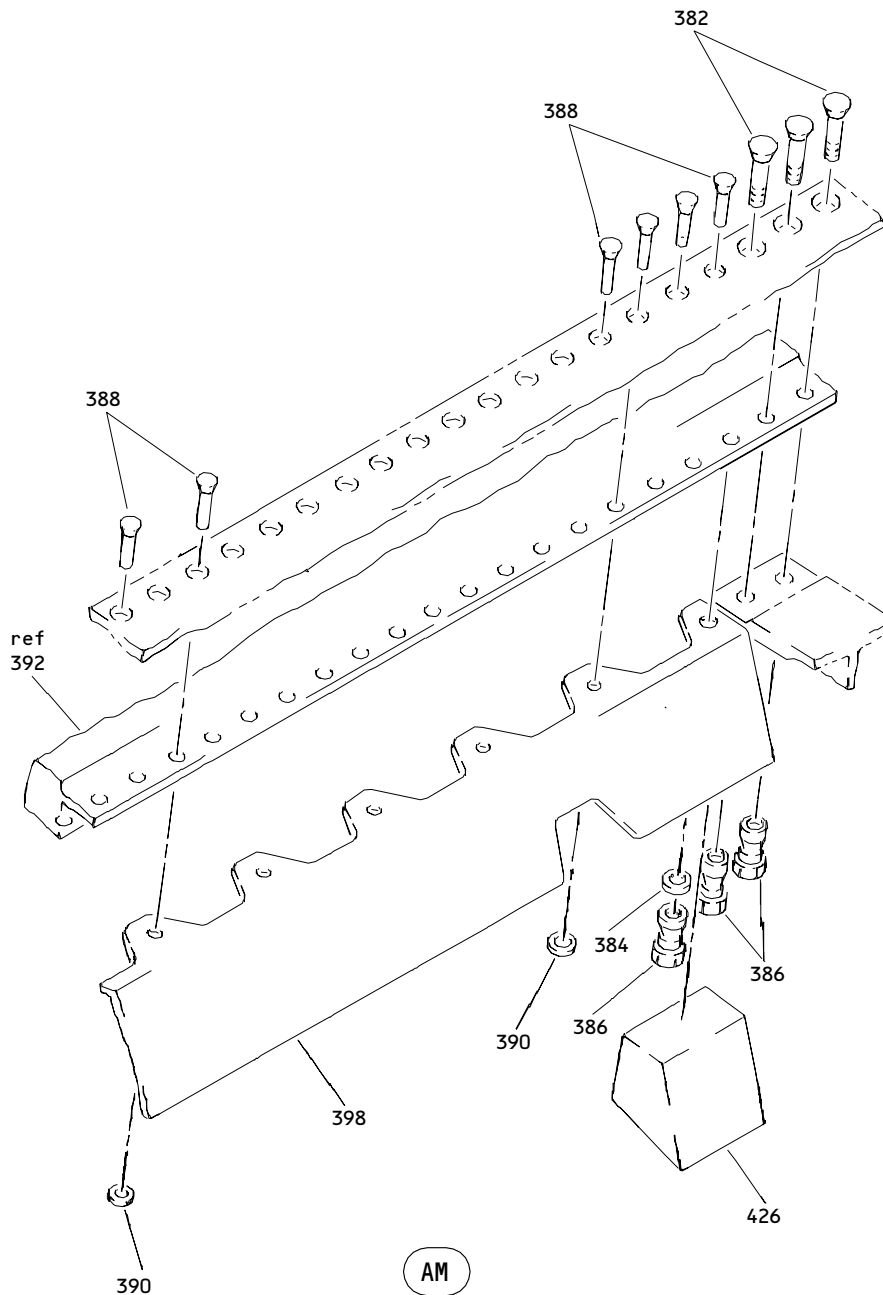
ILLUSTRATED PARTS LIST
 01.1 Page 1072H
 Mar 01/04



Outboard Slat No. 3 Wing Leading Edge Structure Assembly
Figure 3 (Sheet 28)

57-43-51

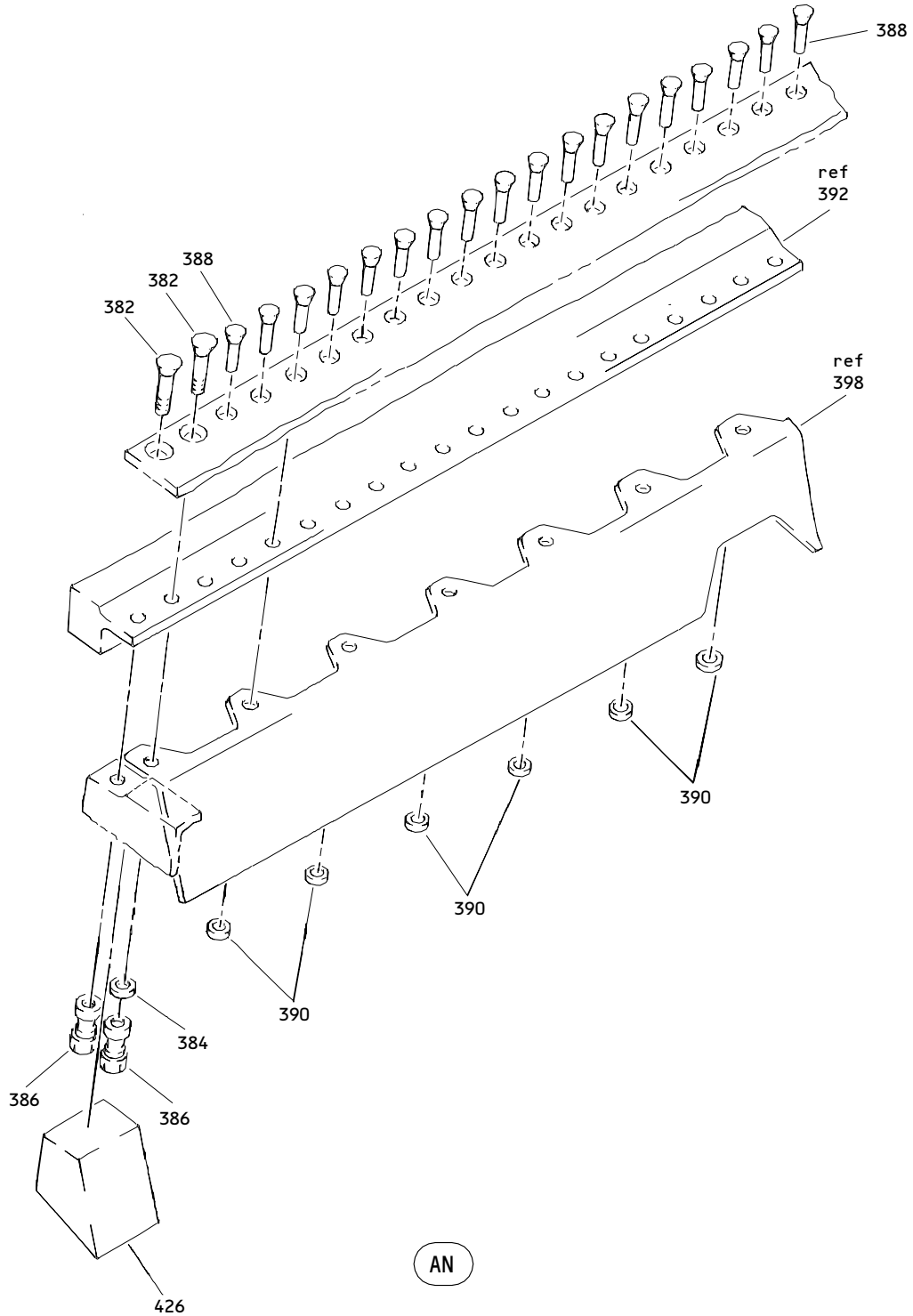
ILLUSTRATED PARTS LIST
01.1 Page 1072I
Mar 01/04



Outboard Slat No. 3 Wing Leading Edge Structure Assembly
Figure 3 (Sheet 29)

57-43-51

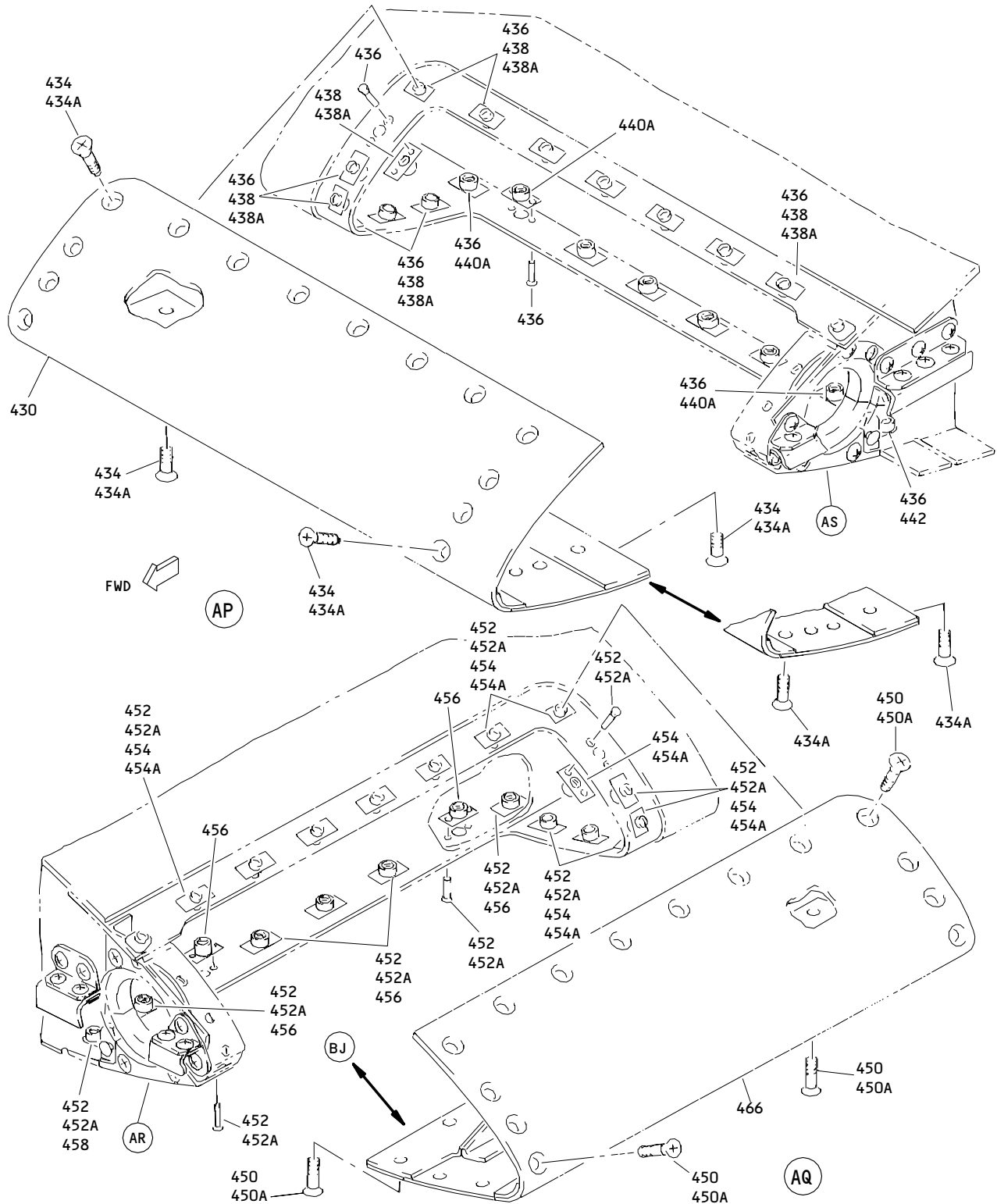
ILLUSTRATED PARTS LIST
01.1 Page 1072J
Mar 01/04



Outboard Slat No. 3 Wing Leading Edge Structure Assembly
Figure 3 (Sheet 30)

57-43-51

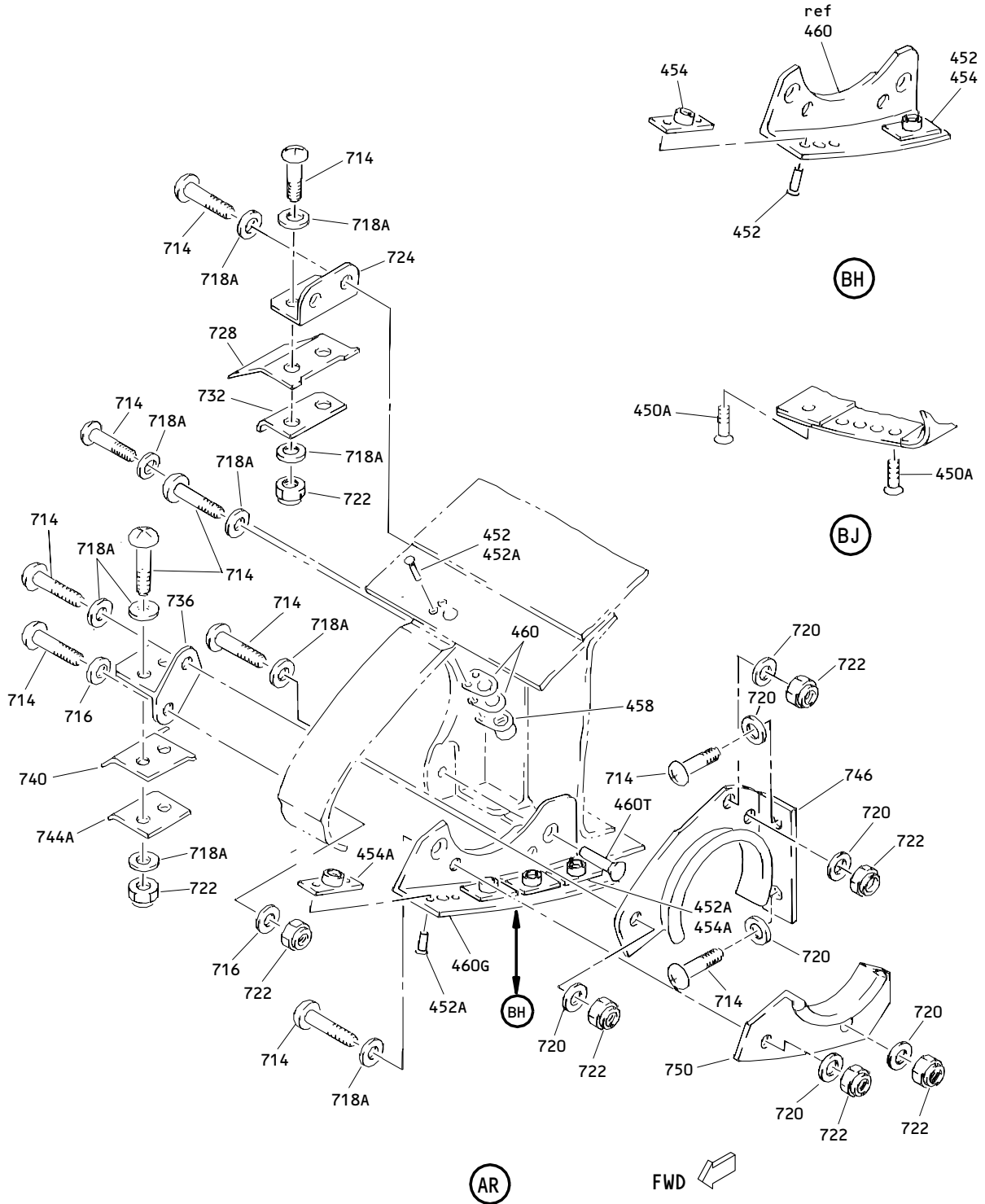
ILLUSTRATED PARTS LIST
01.1 Page 1072K
Mar 01/04



Outboard Slat No. 3 Wing Leading Edge Structure Assembly
 Figure 3 (Sheet 31)

57-43-51

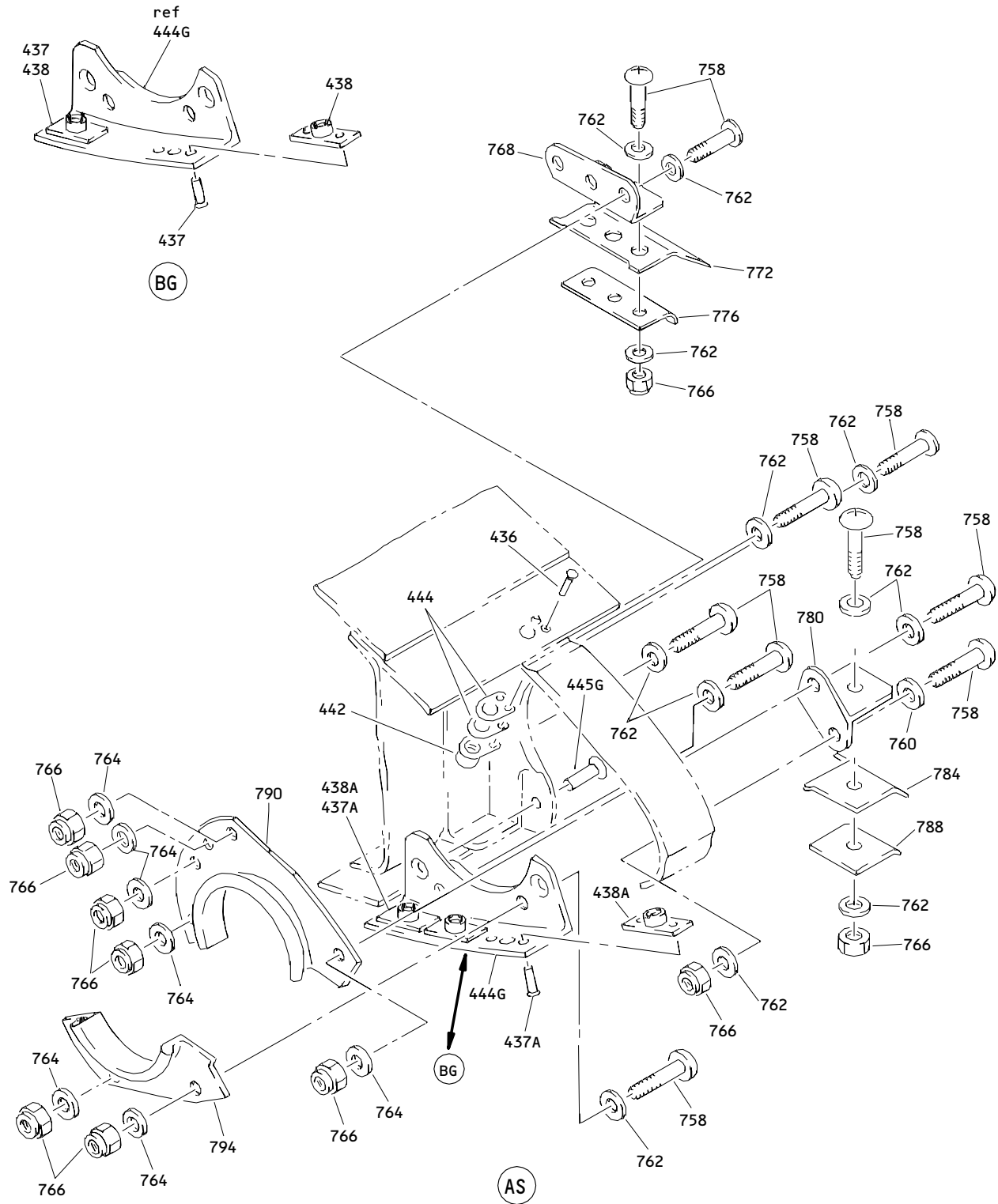
ILLUSTRATED PARTS LIST
 01.1 Page 1072L
 Mar 01/04



Outboard Slat No. 3 Wing Leading Edge Structure Assembly
 Figure 3 (Sheet 32)

57-43-51

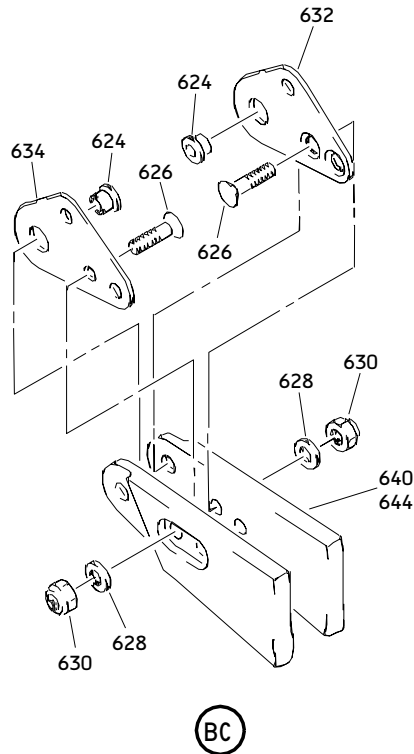
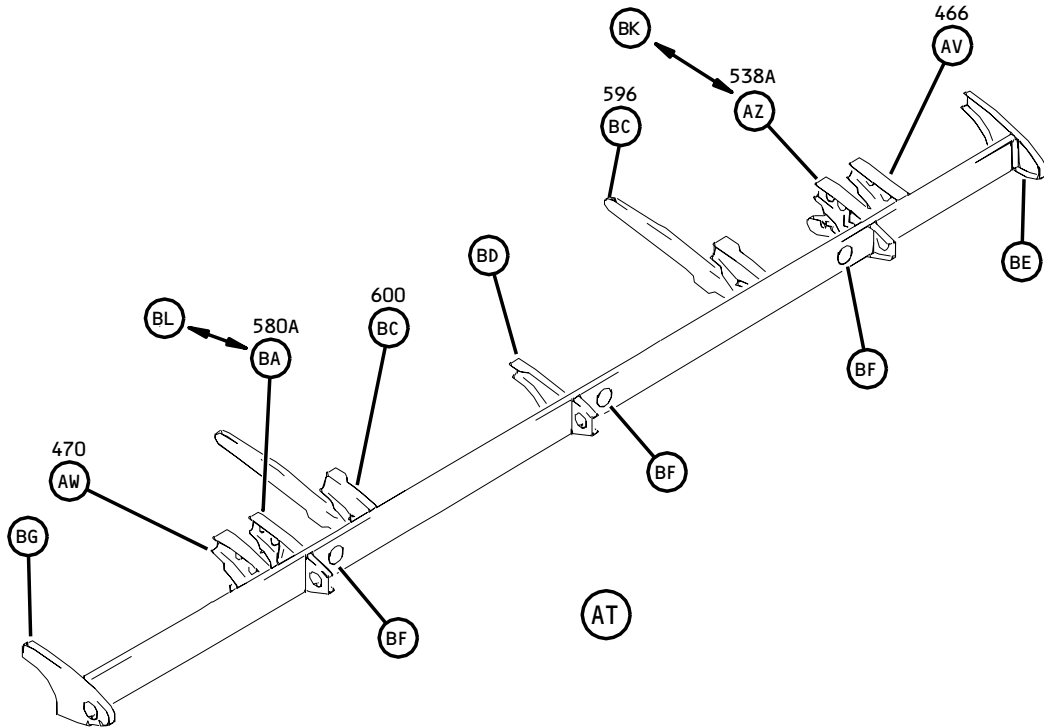
ILLUSTRATED PARTS LIST
 01.1 Page 1072M
 Mar 01/04



Outboard Slat No. 3 Wing Leading Edge Structure Assembly
 Figure 3 (Sheet 33)

57-43-51

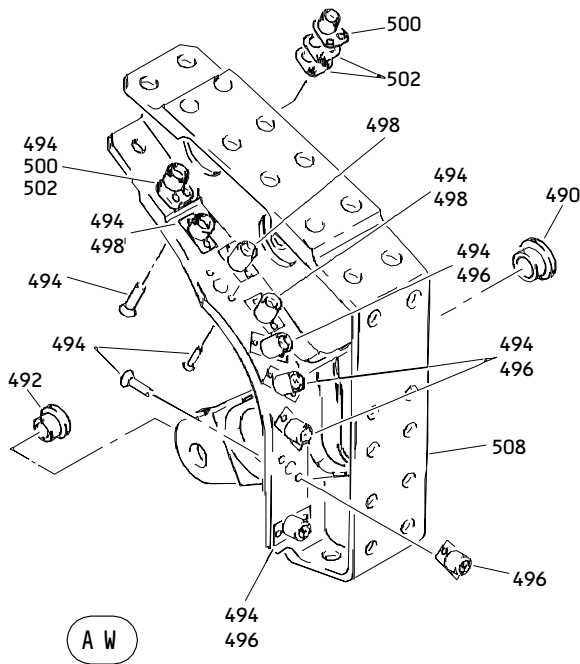
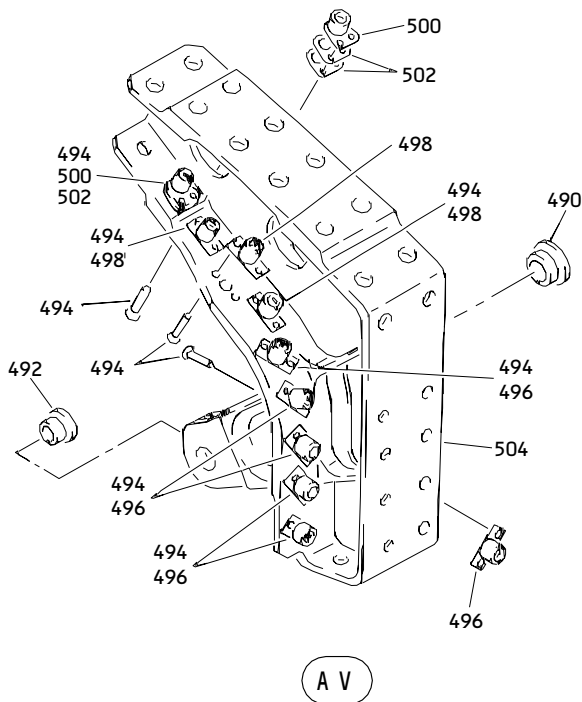
ILLUSTRATED PARTS LIST
 01.1 Page 1072N
 Mar 01/04



Outboard Slat No. 3 Wing Leading Edge Structure Assembly
 Figure 3 (Sheet 34)

57-43-51

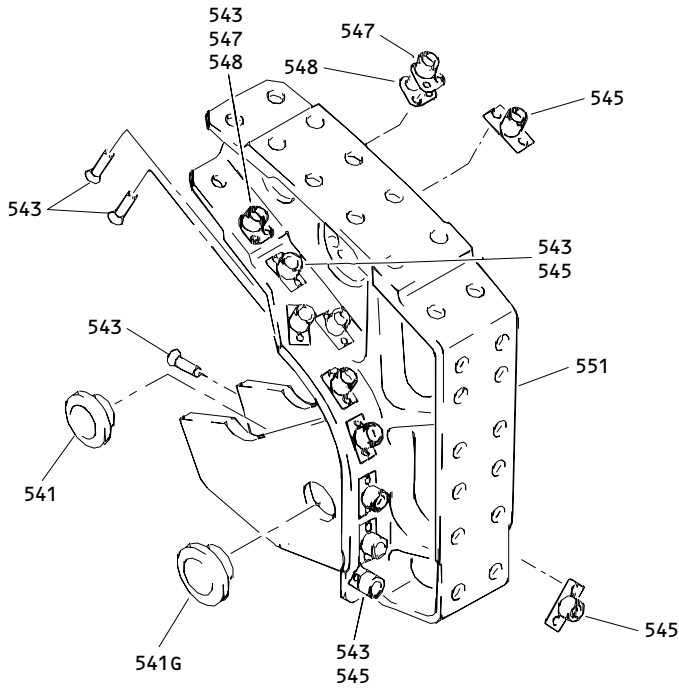
ILLUSTRATED PARTS LIST
 01.1 Page 10720
 Mar 01/04



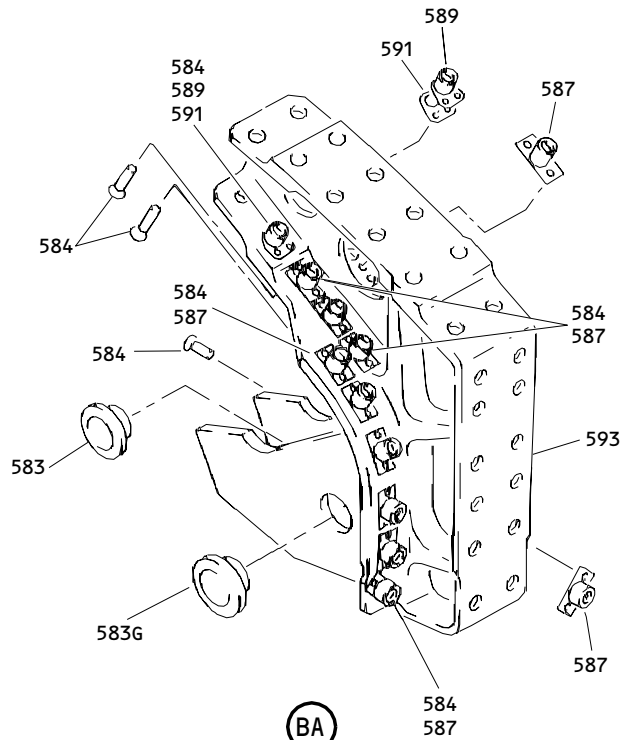
Outboard Slat No. 3 Wing Leading Edge Structure Assembly
 Figure 3 (Sheet 35)

57-43-51

ILLUSTRATED PARTS LIST
 01.1 Page 1072P
 Mar 01/04



(AZ)

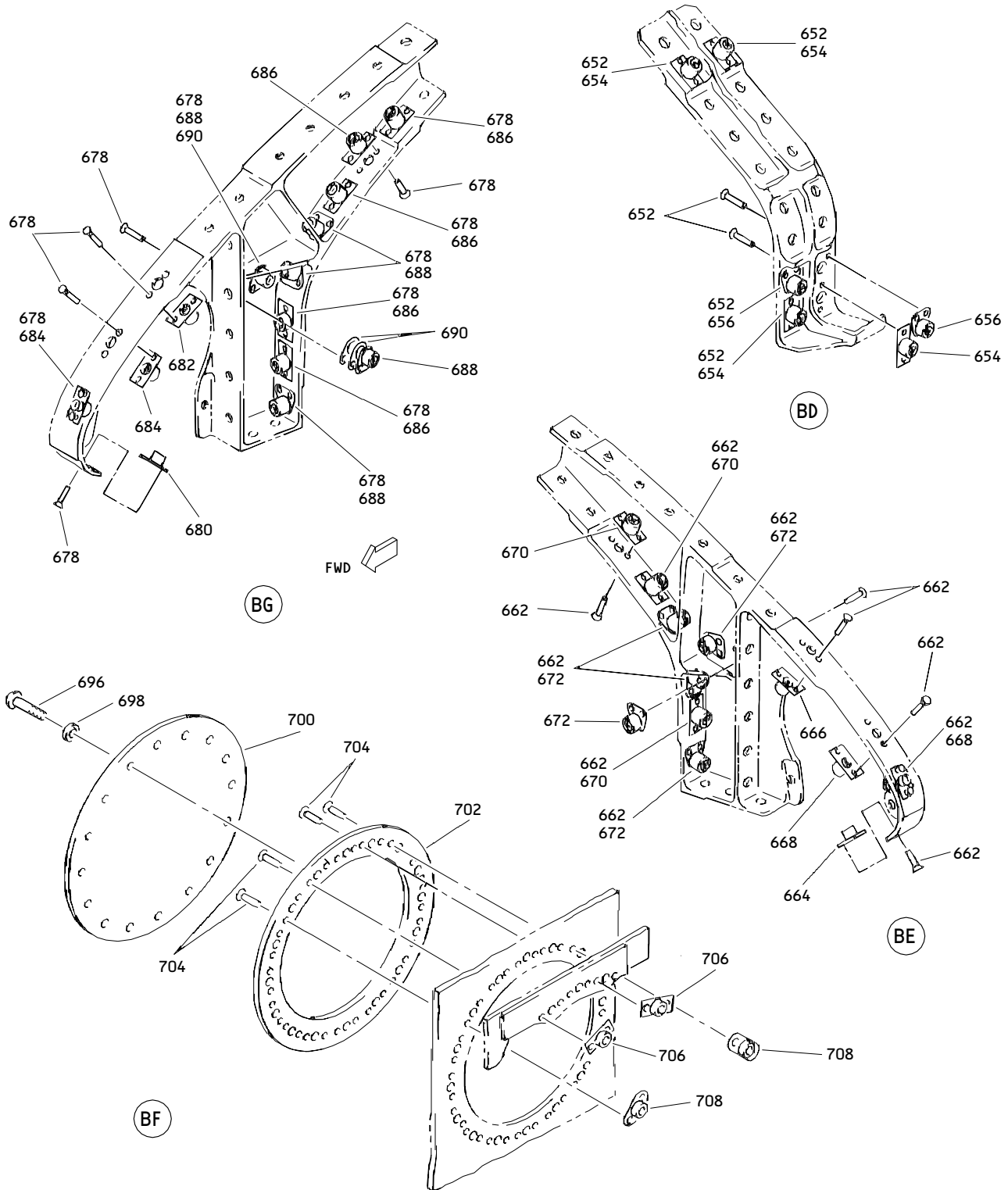


(BA)

Outboard Slat No. 3 Wing Leading Edge Structure Assembly
Figure 3 (Sheet 36)

57-43-51

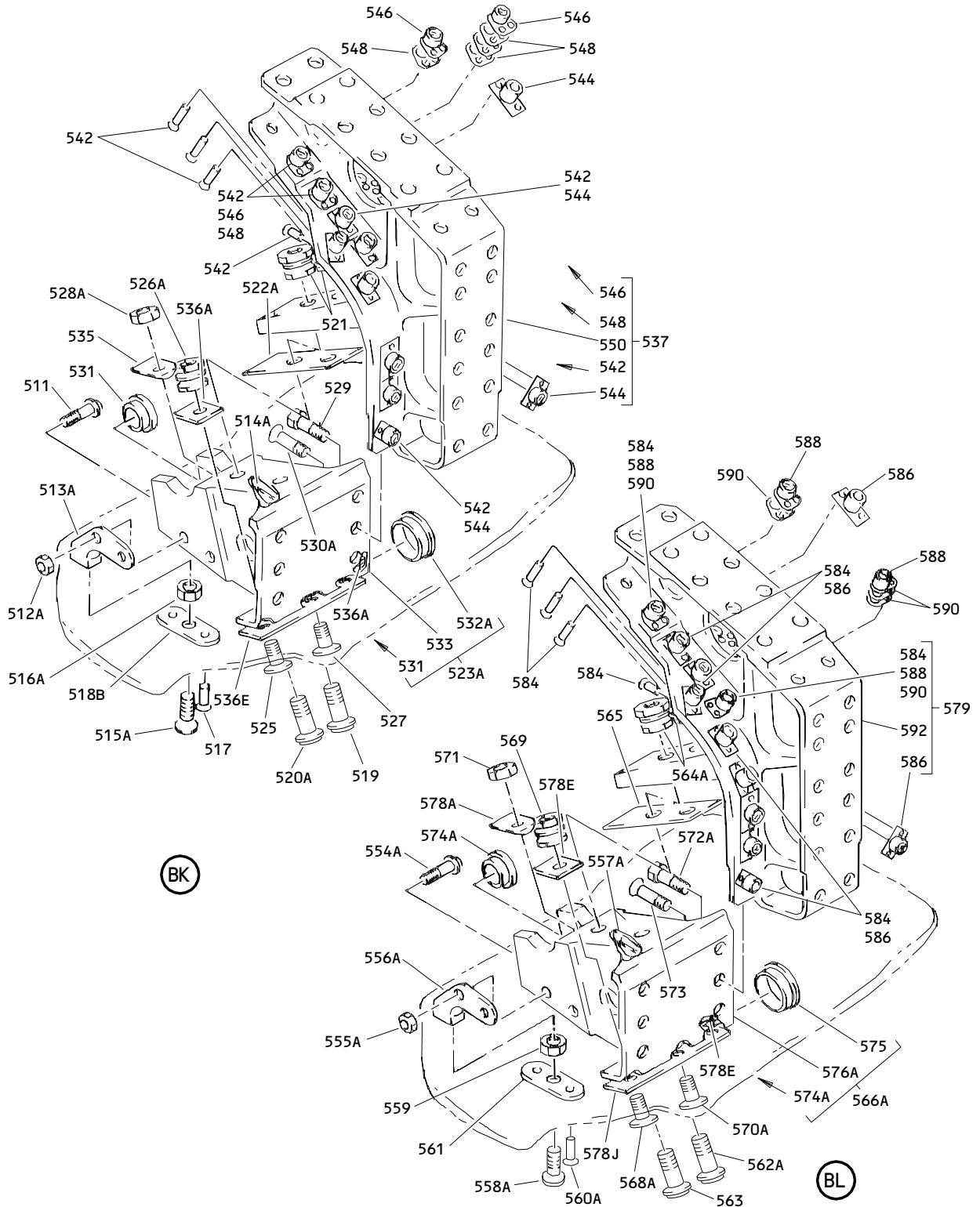
ILLUSTRATED PARTS LIST
01.1 Page 1072Q
Mar 01/04



Outboard Slat No. 3 Wing Leading Edge Structure Assembly
 Figure 3 (Sheet 37)

57-43-51

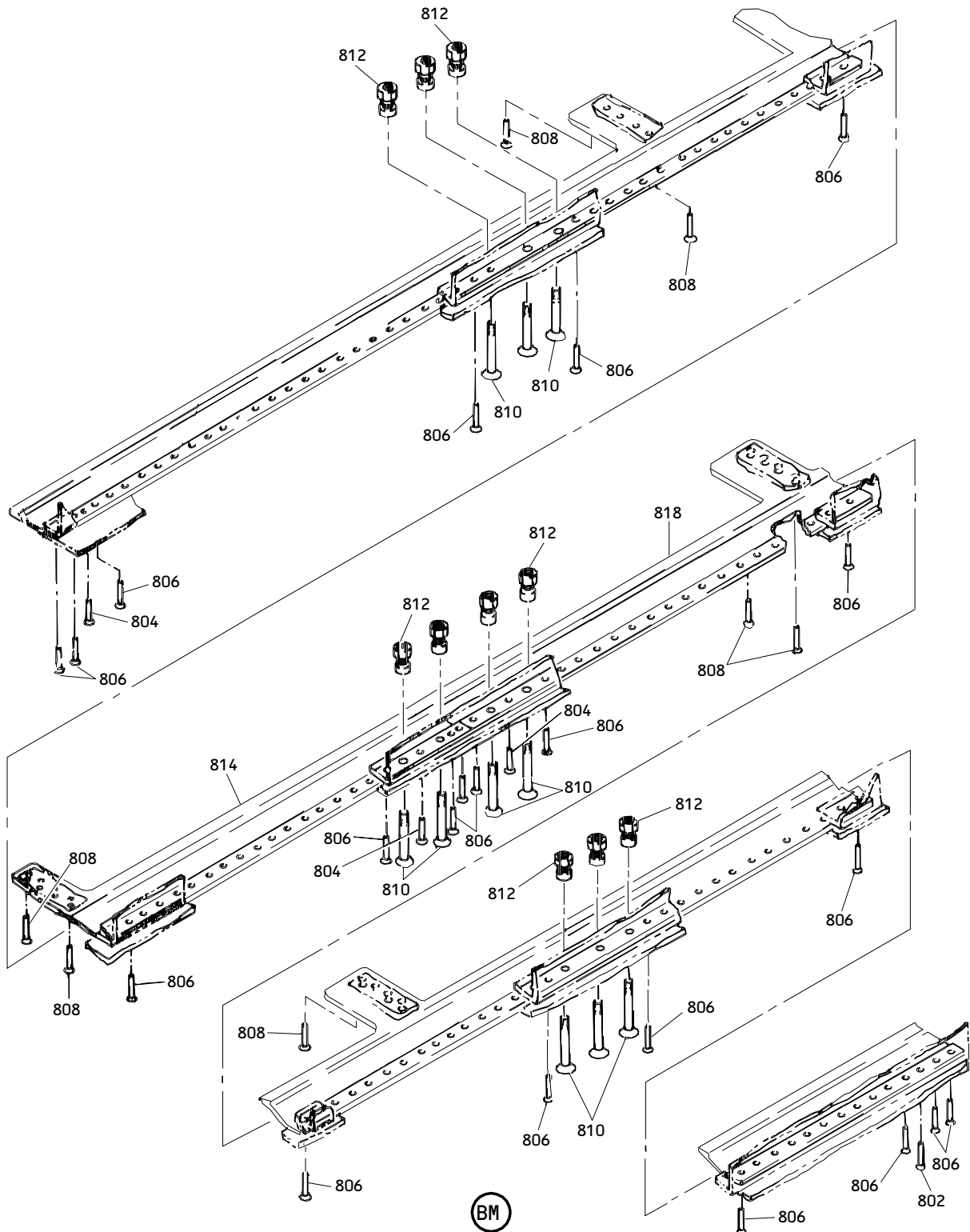
ILLUSTRATED PARTS LIST
 01.1 Page 1072R
 Mar 01/04



Outboard Slat No. 3 Wing Leading Structure Assembly
Figure 3 (Sheet 38)

57-43-51

ILLUSTRATED PARTS LIST
01.1 Page 1072S
Mar 01/04



Outboard Slat No. 3 Wing Leading Edge Structure Assembly
 Figure 3 (Sheet 39)

57-43-51

ILLUSTRATED PARTS LIST
 01.1 Page 1072T
 Mar 01/04

FIG. & ITEM	PART NO.	AIRLINE PART NUMBER	NOMENCLATURE 1234567	EFF CODE	QTY PER ASSY
03- -1	114T4103-21SP		STRUCTURE ASSY-OUTBD SLAT NO. 3 WING LE (LH) (REWORK DWG 114T4183-1) (PRE SB 767-32-0095) (PRE SB 767-57A0057)	B	RF
-1A	114T4103-23		STRUCTURE ASSY-OUTBD SLAT NO. 3 WING LE (VARIABLE) (LH) (REWORK DWG 114T4183-1) (PRE SB 767-57A0057)	C	RF
-1B	114T4103-25SP		STRUCTURE ASSY-OUTBD SLAT NO. 3 WING LE (LH) (POST SB 767-32-0107) (PRE SB 767-57A0057)	D	RF
-1C	114T4103-27		DELETED		
-1D	015T0165-7		SLAT ASSY-NO. 3 AND NO. 10 WING LE TOP KIT (LH) (POST SB 767-32-0095) (PRE SB 767-57A0057)	AC	RF
-1E	015T1507-307		STRUCTURE ASSY-OUTBD SLAT NO. 3 WING LE (LH) (POST SB 767-57A0057)	AY	RF
-1F	015T1507-309		STRUCTURE ASSY-OUTBD SLAT NO. 3 WING LE (LH) (POST SB 767-57A0057)	AZ	RF
-1G	015T1507-311		STRUCTURE ASSY-OUTBD SLAT NO. 3 WING LE (LH) (POST SB 767-57A0057)	BA	RF
-1H	015T1507-349		STRUCTURE ASSY-OUTBD SLAT NO. 3 WING LE (LH) (POST SB 767-57A0057)	BB	RF
-1J	015T1507-351		STRUCTURE ASSY-OUTBD SLAT NO. 3 WING LE (LH) (POST SB 767-57A0057)	BC	RF
-1K	015T1507-353		STRUCTURE ASSY-OUTBD SLAT NO. 3 WING LE (LH) (POST SB 767-57A0057)	BD	RF
-1L	015T1507-313		STRUCTURE ASSY-OUTBD SLAT NO. 3 WING LE (LH) (POST SB 767-57A0057)	BE	RF
-1M	015T1507-355		STRUCTURE ASSY-OUTBD SLAT NO. 3 WING LE (LH) (POST SB 767-57A0057)	BF	RF

57-43-51

FIG. & ITEM	PART NO.	AIRLINE PART NUMBER	NOMENCLATURE 1234567	EFF CODE	QTY PER ASSY
03- -1N	015T1507-315		STRUCTURE ASSY-OUTBD SLAT NO. 3 WING LE (LH) (POST SB 767-57A0057)	BG	RF
-1P	015T1507-317		STRUCTURE ASSY-OUTBD SLAT NO. 3 WING LE (LH) (POST SB 767-57A0057)	BH	RF
-1Q	015T1507-357		STRUCTURE ASSY-OUTBD SLAT NO. 3 WING LE (LH) (POST SB 767-57A0057)	BJ	RF
-1R	015T1507-359		STRUCTURE ASSY-OUTBD SLAT NO. 3 WING LE (LH) (POST SB 767-57A0057)	BK	RF
-1S	015T1507-385		STRUCTURE ASSY-OUTBD SLAT NO. 3 WING LE (LH) (POST SB 767-57A0057)	BL	RF
-1T	015T1507-387		STRUCTURE ASSY-OUTBD SLAT NO. 3 WING LE (LH) (POST SB 767-57A0057)	BM	RF
-5	114T4103-22SP		STRUCTURE ASSY-OUTBD SLAT NO. 10 WING LE (RH) (REWORK DWG 114T4103-2) (PRE SB 767-32-0095) (PRE SB 767-57A0057)	N	RF
-5A	114T4103-24		STRUCTURE ASSY-OUTBD SLAT NO. 10 WING LE (VARIABLE) (RH) (REWORK DWG 114T4183-2) (PRE SB 767-57A0057)	P	RF
-5B	114T4103-26SP		STRUCTURE ASSY-OUTBD SLAT NO. 10 WING LE (RH) (POST SB 767-32-0107) (PRE SB 767-57A0057)	Q	RF
-5C	114T4103-28		DELETED		
-5D	015T0165-8		SLAT ASSY-NO. 3 AND NO. 10 WING LE TOP KIT (RH) (POST SB 767-32-0095) (PRE SB 767-57A0057)	AD	RF
-5E	015T1507-308		STRUCTURE ASSY-OUTBD SLAT NO. 10 WING LE (RH) (POST SB 767-57A0057)	BN	RF
-5F	015T1507-310		STRUCTURE ASSY-OUTBD SLAT NO. 10 WING LE (RH) (POST SB 767-57A0057)	BP	RF

57-43-51

 ILLUSTRATED PARTS LIST
 01.1 Page 1072V
 Mar 01/04

FIG. & ITEM	PART NO.	AIRLINE PART NUMBER	NOMENCLATURE 1234567	EFF CODE	QTY PER ASSY
03-5G	015T1507-312		STRUCTURE ASSY-OUTBD SLAT NO. 10 WING LE (RH) (POST SB 767-57A0057)	BQ	RF
-5H	015T1507-350		STRUCTURE ASSY-OUTBD SLAT NO. 10 WING LE (RH) (POST SB 767-57A0057)	BR	RF
-5J	015T1507-352		STRUCTURE ASSY-OUTBD SLAT NO. 10 WING LE (RH) (POST SB 767-57A0057)	BS	RF
-5K	015T1507-354		STRUCTURE ASSY-OUTBD SLAT NO. 10 WING LE (RH) (POST SB 767-57A0057)	BT	RF
-5L	015T1507-314		STRUCTURE ASSY-OUTBD SLAT NO. 10 WING LE (RH) (POST SB 767-57A0057)	BU	RF
-5M	015T1507-356		STRUCTURE ASSY-OUTBD SLAT NO. 10 WING LE (RH) (POST SB 767-57A0057)	BV	RF
-5N	015T1507-316		STRUCTURE ASSY-OUTBD SLAT NO. 10 WING LE (RH) (POST SB 767-57A0057)	BW	RF
-5P	015T1507-318		STRUCTURE ASSY-OUTBD SLAT NO. 10 WING LE (RH) (POST SB 767-57A0057)	BX	RF
-5Q	015T1507-358		STRUCTURE ASSY-OUTBD SLAT NO. 10 WING LE (RH) (POST SB 767-57A0057)	BY	RF
-5R	015T1507-360		STRUCTURE ASSY-OUTBD SLAT NO. 10 WING LE (RH) (POST SB 767-57A0057)	BZ	RF
-5S	015T1507-386		STRUCTURE ASSY-OUTBD SLAT NO. 10 WING LE (RH) (POST SB 767-57A0057)	DA	RF
-5T	015T1507-388		STRUCTURE ASSY-OUTBD SLAT NO. 10 WING LE (RH) (POST SB 767-57A0057)	DB	RF
-6	114T4103-5007		.STRUCTURE ASSY- (REPLD BY ITEM 7)	B,C,A C,A Y-BF, BL,BM	1
-7	114T4103-5009		.STRUCTURE ASSY- (REPLS ITEM 6)	B,C,A C,A Y-BF, BL,BM	1

57-43-51

FIG. & ITEM	PART NO.	AIRLINE PART NUMBER	NOMENCLATURE 1234567	EFF CODE	QTY PER ASSY
03-7A	114T4103-5011		.STRUCTURE ASSY- (PRE SB 767-53-0048) (PRE SB 767-53-0070)	D,B G-BK	1
-7B	114T4103-5011		.STRUCTURE ASSY- (POST SB 767-53-0048) (POST SB 767-53-0070)	D,B G-BK	1
-8	114T4103-5008		.STRUCTURE ASSY- (REPLD BY ITEM 9)	N,P,A D,B N-BV, DA,DB	1
-9	114T4103-5010		.STRUCTURE ASSY- (REPLS ITEM 8)	N,P,A D,B N-BV, DA,DB	1
-9A	114T4103-5012		.STRUCTURE ASSY- (PRE SB 767-53-0048) (PRE SB 767-53-0070)	Q,B W-BZ	1
-9B	114T4103-5012		.STRUCTURE ASSY- (POST SB 767-53-0048) (POST SB 767-53-0070)	Q,B W-BZ	1
10	BACB30NT3K7		..BOLT	B-D, N-Q,A C,AD, AY-DB	59
12	AN960PD10L		..WASHER	B-D, N-Q,A C,AD, AY-DB	61
14	H10-3BAC		..NUT- (V15653) (SPEC BACN10JC3) (OPT NS202101-02 (V80539)) (OPT RMLH9075-3W (V72962)) (OPT T6S1032J (V71087)) (OPT VN303A02 (V92215)) (OPT 96-02 (V80539)) (OPT BRH10A3 (V52828))	B-D, N-Q,A C,AD, AY-DB	2

57-43-51

 ILLUSTRATED PARTS LIST
 01.1 Page 1072X
 Mar 01/04

FIG. & ITEM	PART NO.	AIRLINE PART NUMBER	NOMENCLATURE 1234567	EFF CODE	QTY PER ASSY
03-16	114T4233-13		..RETAINER-SEAL (USED ON ITEM 6)	B,C,A C,A Y-BF, BL,BM	1
-18	114T4233-14		..RETAINER-SEAL (USED ON ITEM 8)	N,P,A D,B N-BV, DA,DB	1
20	114T4233-15		..RETAINER-SEAL (USED ON ITEM 6)	B,C,A C,A Y-BF, BL,BM	1
-22	114T4233-16		..RETAINER-SEAL (USED ON ITEM 8)	N,P,A D,B N-BV, DA,DB	1
24	114T4233-17		..RETAINER-SEAL (USED ON ITEM 6)	B,C,A C,A Y-BF, BL,BM	1
-26	114T4233-18		..RETAINER-SEAL (USED ON ITEM 8)	N,P,A D,B N-BV, DA,DB	1
27	114T4233-32		..RETAINER- (USED ON ITEMS 7, 7A, 9, 9A)	B-D, N-Q,A C,AD, AY-DB	59
28	114T4232-13		..SEAL-BULB (MFD FROM EXTR RUBBER F25.01 10-60754-319 47.50 IN.)	B-D,A C,A Y-BM	1
-30	114T4232-14		..SEAL-BULB (MFD FROM EXTR RUBBER F25.01 10-60754-319 47.50 IN.)	N-Q,A D,B N-DB	1

57-43-51

FIG. & ITEM	PART NO.	AIRLINE PART NUMBER	NOMENCLATURE 1234567	EFF CODE	QTY PER ASSY
03-32	114T4232-15		..SEAL-BULB (MFD FROM EXTR RUBBER F25.01 10-60754-319 58.00 IN)	B-D,A C,A Y-BM	1
-34	114T4232-16		..SEAL-BULB (MFD FROM EXTR RUBBER F25.01 10-60754-319 58.00 IN.)	N-Q,A D,B N-DB	1
36	114T4232-17		..SEAL-BULB (MFD FROM EXTR RUBBER F25.01 10-60754-319 47.50 IN.)	B-D,A C,A Y-BM	1
-38	114T4232-18		..SEAL-BULB (MFD FROM EXTR RUBBER F25.01 10-60754-319 47.50 IN.)	N-Q,A D,B N-DB	1
40 40A	BACB3F009E179NN BACF3F009E179NN		DELETED ..FILLER	B-D, N-Q,A C,AD, AY-DB	2
42	BACF3F009E080NN		..FILLER	B-D, N-Q,A C,AD, AY-DB	2
44	BACF3F009E200NN		..FILLER	B-D, N-Q,A C,AD, AY-DB	1
46	BACR15BA3AD		..RIVET- (SIZE DETERMINE ON INST)	B-D, N-Q,A C,AD, AY-DB	114

57-43-51

 ILLUSTRATED PARTS LIST
 01.1 Page 1072Z
 Mar 01/04

FIG. & ITEM	PART NO.	AIRLINE PART NUMBER	NOMENCLATURE 1234567	EFF CODE	QTY PER ASSY
03-48	BACN10JQ32		..NUTPLATE	B-D, N-Q,A C,AD, AY-DB	55
50	NS103225-02		..NUTPLATE- (V80539) (SPEC BACN10KH3) (OPT RMF9209M3 (V72962)) (OPT RMF9209M3 (V72962))	B-D, N-Q,A C,AD, AY-DB	2
52	BACB30NT3K3		..BOLT	B-D, N-Q,A C,AD, AY-DB	2
54	BACB30NT3K4		..BOLT	B-D, N-Q,A C,AD, AY-DB	8
56	BACB30NN3K4		..BOLT	B-D, N-Q,A C,AD, AY-DB	2
58	AN960PD10L		..WASHER	B-D, N-Q,A C,AD, AY-DB	22
60	H10-3BAC		..NUT- (V15653) (SPEC BACN10JC3) (OPT NS202101-02 (V80539)) (OPT RMLH9075-3W (V72962)) (OPT T6S1032J (V71087)) (OPT VN303A02 (V92215)) (OPT 96-02 (V80539)) (OPT BRH10A3 (V52828))	B-D, N-Q,A C,AD, AY-DB	12

57-43-51

FIG. & ITEM	PART NO.	AIRLINE PART NUMBER	NOMENCLATURE 1234567	EFF CODE	QTY PER ASSY
03-62	114T4233-31		..RETAINER-SEAL	B-D, N-Q,A C,AD, AY-DB	2
64	114T4234-11		..SEAL-BULB (MFD FROM EXTR RUBBER F25.01 10-60754-15 1.50 IN.)	B-D, N-Q,A C,AD, AY-DB	1
66	114T4234-12		..SEAL-BULB (MFD FROM EXTR RUBBER F25.01 10-60754-15 1.50 IN.)	B-D, N-Q,A C,AD, AY-DB	1
68	114T4235-2		..RETAINER-SEAL	B-D, N-Q,A C,AD, AY-DB	1
70	114T4234-5		..SEAL-BULB (MFD FROM EXTR RUBBER F25.01 10-60754-15 9.50 IN.)	B-D,A C,A Y-BM	1
-72	114T4234-6		..SEAL-BULB (MFD FROM EXTR RUBBER F25.01 10-60754-15 9.50 IN.)	N-Q,A D,B N-DB	1
74	114T4235-3		..RETAINER-SEAL	B-D, N-Q,A C,AD, AY-DB	1
76	114T4234-3		..SEAL-BULB (MFD FROM EXTR RUBBER F25.01 10-60754-15 10.20 IN.)	B-D,A C,A Y-BM	1
-78	114T4234-4		..SEAL-BULB (MFD FROM EXTR RUBBER F25.01 10-60754-15 10.20 IN.)	N-Q,A D,B N-DB	1
80	114T4224-3		..SEAL-MOLDED BULB	B-D, N-Q,A C,AD, AY-DB	1
82	114T4236-3		..SEAL-SPONGE (MFD FROM SH SPONGE RUBBER BMS1-23 20.60 IN. 1.00 IN. 2.60 IN.)	B-D, N-Q,A C,AD, AY-DB	1

57-43-51

 ILLUSTRATED PARTS LIST
 01.1 Page 1074
 Mar 01/04

FIG. & ITEM	PART NO.	AIRLINE PART NUMBER	NOMENCLATURE 1234567	EFF CODE	QTY PER ASSY
03-84	114T4224-4		..SEAL-MOLDED BULB	B-D, N-Q,A C,AD, AY-DB	1
86	114T4236-4		..SEAL-SPONGE (MFD FROM SH SPONGE RUBBER BMS1-23 20.73 IN. 1.00 IN. 3.10 IN.)	B-D, N-Q,A C,AD, AY-DB	1
88	BACB30NU3K4		..BOLT	B-D, N-Q,A C,AD, AY-DB	2
90	BACR15CE5KE		..RIVET- (SIZE DETERMINE ON INST)	B-D, N-Q,A C,AD, AY-DB	16
92	114T4225-5		..RETAINER-SEAL	B-D, N-Q,A C,AD, AY-DB	1
94	114T4225-6		..RETAINER-SEAL	B-D, N-Q,A C,AD, AY-DB	1
96	BACR15BA3AD		..RIVET- (SIZE DETERMINE ON INST)	B-D, N-Q,A C,AD, AY-DB	4
98	BACN10JQ32		..NUTPLATE	B-D, N-Q,A C,AD, AY-DB	2
100	114T4226-2		..SEAL-WEDGE	B-D, N-Q,A C,AD, AY-DB	2
102	114T4242-9		..RETAINER	B-D, N-Q,A C,AD, AY-DB	1

57-43-51

FIG. & ITEM	PART NO.	AIRLINE PART NUMBER	NOMENCLATURE 1234567	EFF CODE	QTY PER ASSY
03-104	114T4242-10		..RETAINER	B-D, N-Q,A C,AD, AY-DB	1
106	BACB30NN3K6		..BOLT	B-D, N-Q,A C,AD, AY-DB	2
108	AN96OPD10L		..WASHER	B-D, N-Q,A C,AD, AY-DB	2
110	H10-3BAC		..NUT- (V15653) (SPEC BACN10JC3) (OPT NS202101-02 (V80539)) (OPT RMLH9075-3W (V72962)) (OPT T6S1032J (V71087)) (OPT VN303A02 (V92215)) (OPT 96-02 (V80539)) (OPT BRH10A3 (V52828))	B-D, N-Q,A C,AD, AY-DB	2
112	114T4235-8		..RETAINER	B-D, N-Q,A C,AD, AY-DB	1
114	114T4237-9		..SEAL	B-D,A C,A Y-BM	1

57-43-51

 ILLUSTRATED PARTS LIST
 01.1 Page 1074B
 Mar 01/04

FIG. & ITEM	PART NO.	AIRLINE PART NUMBER	NOMENCLATURE 1234567	EFF CODE	QTY PER ASSY
03- -116	114T4237-10		..SEAL	N-Q,A D,B N-DB	1
118	BACB30NN3K5		..BOLT	B-D, N-Q,A C,AD, AY-DB	4
120	BACB30NN3K4		..BOLT	B-D, N-Q,A C,AD, AY-DB	25
122	AN960PD10L		DELETED		
124	H10-3BAC		DELETED		
126	BACR15BA3AD		..RIVET- (SIZE DETERMINE ON INST)	B-D, N-Q,A C,AD, AY-DB	10
128	BRFM20A3		..NUTPLATE- (V52828) (SPEC BACN10JN3) (OPT MF1000-3BAC (V15653)) (OPT NS103218-02 (V80539)) (OPT RMF9201M3 (V72962)) (OPT VN252A02 (V92215)) (OPT MF1000-3BAC (V15653)) (OPT MF53049-3 (V15653))	B-D, N-Q,A C,AD, AY-DB	5
128G	114T4231-46		..RETAINER ASSY	B-D, N-Q,A C,AD, AY-DB	1
128K	114T4231-50		..RETAINER ASSY	B-D, N-Q,A C,AD, AY-DB	1
128P	114T4231-54		..RETAINER ASSY	B-D, N-Q,A C,AD, AY-DB	1

57-43-51

FIG. & ITEM	PART NO.	AIRLINE PART NUMBER	NOMENCLATURE 1234567	EFF CODE	QTY PER ASSY
03-129	BACR15BA3AD		...RIVET- (SIZE DETERMINE ON INST)	B-D, N-Q,A C,AD, AY-DB	24
129D	BRFM20A3		...NUTPLATE- (V52828) (SPEC BACN10JN3) (OPT MF1000-3BAC (V15653)) (OPT NS103218-02 (V80539)) (OPT RMF9201M3 (V72962)) (OPT VN252A02 (V92215)) (OPT MF1000-3BAC (V15653)) (OPT MF53049-3 (V15653)) (USED ON ITEM 128G)	B-D, N-Q,A C,AD, AY-DB	5
129H	BRFM20A3		...NUTPLATE- (V52828) (SPEC BACN10JN3) (OPT MF1000-3BAC (V15653)) (OPT NS103218-02 (V80539)) (OPT RMF9201M3 (V72962)) (OPT VN252A02 (V92215)) (OPT MF1000-3BAC (V15653)) (OPT MF53049-3 (V15653)) (USED ON ITEM 128K)	B-D, N-Q,A C,AD, AY-DB	4

57-43-51

ILLUSTRATED PARTS LIST
01.1 Page 1074D
Mar 01/04

FIG. & ITEM	PART NO.	AIRLINE PART NUMBER	NOMENCLATURE 1234567	EFF CODE	QTY PER ASSY
03-129L	BRFM20A3		...NUTPLATE- (V52828) (SPEC BACN10JN3) (OPT MF1000-3BAC (V15653)) (OPT NS103218-02 (V80539)) (OPT RMF9201M3 (V72962)) (OPT VN252A02 (V92215)) (OPT MF1000-3BAC (V15653)) (OPT MF53049-3 (V15653)) (USED ON ITEM 128P)	B-D, N-Q,A C,AD, AY-DB	3
130	114T4231-2		...RETAINER- (USED ON ITEM 128G)	B-D, N-Q,A C,AD, AY-DB	1
132	114T4231-6		...RETAINER- (USED ON ITEM 128K)	B-D, N-Q,A C,AD, AY-DB	1
134	114T4231-10		...RETAINER- (USED ON ITEM 128P)	B-D, N-Q,A C,AD, AY-DB	1
136	114T4231-14		..RETAINER	B-D, N-Q,A C,AD, AY-DB	1

57-43-51

FIG. & ITEM	PART NO.	AIRLINE PART NUMBER	NOMENCLATURE 1234567	EFF CODE	QTY PER ASSY
03-138	114T4230-2		..SEAL-WEATHER (MFD FROM SH RUBBER BMS1-50 TYPE II GRADE 60 F25.01 0.094 IN. 1.25 IN. 7.20 IN.)	B-D, N-Q,A C,AD, AY-DB	1
140	114T4230-6		..SEAL-WEATHER (MFD FROM SH RUBBER BMS1-50 TYPE II GRADE 60 F25.01 0.094 IN. 1.25 IN. 7.50 IN.)	B-D, N-Q,A C,AD, AY-DB	1
142	114T230-10		DELETED		
142A	114T4230-10		..SEAL-WEATHER (MFD FROM SH RUBBER BMS1-50 TYPE II GRADE 60 F25.01 0.094 IN. 1.25 IN. 3.95 IN.)	B-D, N-Q,A C,AD, AY-DB	1
144	114T4230-14		..SEAL-WEATHER (MFD FROM SH RUBBER BMS1-50 TYPE II GRADE 60 F25.01 0.094 IN. 1.25 IN. 2.85 IN.)	B-D, N-Q,A C,AD, AY-DB	1
144G	114T4231-47		..RETAINER ASSY	B-D, N-Q,A C,AD, AY-DB	1
144K	114T4231-51		..RETAINER ASSY	B-D, N-Q,A C,AD, AY-DB	1
144P	114T4231-55		..RETAINER ASSY	B-D, N-Q,A C,AD, AY-DB	1

57-43-51

 ILLUSTRATED PARTS LIST
 01.1 Page 1074F
 Mar 01/04

FIG. & ITEM	PART NO.	AIRLINE PART NUMBER	NOMENCLATURE 1234567	EFF CODE	QTY PER ASSY
03-145	BACR15BA3AD		...RIVET- (SIZE DETERMINE ON INST)	B-D, N-Q,A C,AD, AY-DB	24
145D	BRFM20A3		...NUTPLATE- (V52828) (SPEC BACN10JN3) (OPT MF1000-3BAC (V15653)) (OPT NS103218-02 (V80539)) (OPT RMF9201M3 (V72962)) (OPT VN252A02 (V92215)) (OPT MF1000-3BAC (V15653)) (OPT MF53049-3 (V15653)) (USED ON ITEM 144G)	B-D, N-Q,A C,AD, AY-DB	5
145H	BRFM20A3		...NUTPLATE- (V52828) (SPEC BACN10JN3) (OPT MF1000-3BAC (V15653)) (OPT NS103218-02 (V80539)) (OPT RMF9201M3 (V72962)) (OPT VN252A02 (V92215)) (OPT MF1000-3BAC (V15653)) (OPT MF53049-3 (V15653)) (USED ON ITEM 144K)	B-D, N-Q,A C,AD, AY-DB	4

57-43-51

FIG. & ITEM	PART NO.	AIRLINE PART NUMBER	NOMENCLATURE 1234567	EFF CODE	QTY PER ASSY
03-145L	BRFM20A3		...NUTPLATE- (V52828) (SPEC BACN10JN3) (OPT MF1000-3BAC (V15653)) (OPT NS103218-02 (V80539)) (OPT RMF9201M3 (V72962)) (OPT VN252A02 (V92215)) (OPT MF1000-3BAC (V15653)) (OPT MF53049-3 (V15653)) (USED ON ITEM 144P)	B-D, N-Q,A C,AD, AY-DB	3
146	114T4231-3		...RETAINER- (USED ON ITEM 144G)	B-D, N-Q,A C,AD, AY-DB	1
148	114T4231-7		...RETAINER- (USED ON ITEM 144K)	B-D, N-Q,A C,AD, AY-DB	1
150	114T4231-11		...RETAINER- (USED ON ITEM 144P)	B-D, N-Q,A C,AD, AY-DB	1
152	114T4231-15		..RETAINER-SEAL	B-D, N-Q,A C,AD, AY-DB	1

57-43-51

 ILLUSTRATED PARTS LIST
 01.1 Page 1074H
 Mar 01/04

FIG. & ITEM	PART NO.	AIRLINE PART NUMBER	NOMENCLATURE 1234567	EFF CODE	QTY PER ASSY
03-154	114T4230-3		..SEAL-WEATHER (MFD FROM SH RUBBER BMS1-50 TYPE II GRADE 60 F25.01 0.094 IN. 1.25 IN. 7.45 IN.)	B-D, N-Q,A C,AD, AY-DB	1
156	114T4230-7		..SEAL-WEATHER (MFD FROM SH RUBBER BMS1-50 TYPE II GRADE 60 F25.01 0.094 IN. 1.25 IN. 7.90 IN.)	B-D, N-Q,A C,AD, AY-DB	1
158	114T4230-11		..SEAL-WEATHER (MFD FROM SH RUBBER BMS1-50 TYPE II GRADE 60 F25.01 0.094 IN. 1.25 IN. 5.00 IN.)	B-D, N-Q,A C,AD, AY-DB	1
160	114T4230-15		..SEAL-WEATHER (MFD FROM SH RUBBER BMS1-50 TYPE II GRADE 60 F25.01 0.094 IN. 1.25 IN. 1.70 IN.)	B-D, N-Q,A C,AD, AY-DB	1
162	BACB30NU3K4		..BOLT	B-D, N-Q,A C,AD, AY-DB	10
164	BACB30NU3K5		..BOLT	B-D, N-Q,A C,AD, AY-DB	1

57-43-51

FIG. & ITEM	PART NO.	AIRLINE PART NUMBER	NOMENCLATURE 1234567	EFF CODE	QTY PER ASSY
03-166	BACB30NT3K2		..BOLT	B-D, N-Q,A C,AD, AY-DB	3
168	BACB30NT3K3		..BOLT	B-D, N-Q,A C,AD, AY-DB	17
170	BACB30NT3K5		..BOLT	B-D, N-Q,A C,AD, AY-DB	1
172	BACR15FT5AD		..RIVET- (SIZE DETERMINE ON INST)	B-D, N-Q,A C,AD, AY-DB	7
174	114T4263-1		..PANEL-COVE	B-D,A C,A Y-BM	1
-176	114T4263-2		..PANEL-COVE	N-Q,A D,B N-DB	1
178	BACR15BA3AD		..RIVET- (SIZE DETERMINE ON INST)	B-D, N-Q,A C,AD, AY-DB	52
180	BACN10JQ32		..NUTPLATE	B-D, N-Q,A C,AD, AY-DB	24
182	NS103225-02		..NUTPLATE- (V80539) (SPEC BACN10KH3) (OPT RMF9209M3 (V72962)) (OPT RMF9209M3 (V72962))	B-D, N-Q,A C,AD, AY-DB	1

57-43-51

 ILLUSTRATED PARTS LIST
 01.1 Page 1074J
 Mar 01/04

FIG. & ITEM	PART NO.	AIRLINE PART NUMBER	NOMENCLATURE 1234567	EFF CODE	QTY PER ASSY
03-184	BACB30NN3K6		..BOLT	B-D, N-Q,A C,AD, AY-DB	18
186	BACB30NT3K7		..BOLT	B-D, N-Q,A C,AD, AY-DB	77
188	114T42363-3		DELETED		
188A	114T4263-3		..PANEL-COVE (USED ON ITEM 6)	B,C,A C,A Y-BF, BL,BM	1
-189	114T4263-25		..PANEL-COVE (USED ON ITEMS 7, 7A)	B-D,A C,A Y-BM	1
-190	114T4263-4		..PANEL-COVE (USED ON ITEM 8)	N,P,A D,B N-BV, DA,DB	1
-191	114T4263-26		..PANEL-COVE (USED ON ITEMS 9, 9A)	N-Q,A D,B N-DB	1
192	114T4110-37		..STIFFENER-COVE PNL	B-D, N-Q,A C,AD, AY-DB	1
194	BACR15BA5AD		..RIVET- (SIZE DETERMINE ON INST)	B-D, N-Q,A C,AD, AY-DB	2
196	114T4110-39		..STIFFENER-COVE PNL	B-D,A C,A Y-BM	1

57-43-51

FIG. & ITEM	PART NO.	AIRLINE PART NUMBER	NOMENCLATURE 1234567	EFF CODE	QTY PER ASSY
03-197	114T4110-40		..STIFFENER-COVE PNL	N-Q,A D,B N-DB	1
198	BACR15BA3AD		..RIVET- (SIZE DETERMINE ON INST)	B-D, N-Q,A C,AD, AY-DB	114
200	BRFM22A3-3		..NUTPLATE- (V52828) (SPEC BACN10JQ33) (OPT MF19058-3-3BAC (V15653))	B-D, N-Q,A C,AD, AY-DB	3
204	BRFM22A4-3		..NUTPLATE- (V52828) (SPEC BACN10JQ34) (OPT MF19058-3-4BAC (V15653))	B-D, N-Q,A C,AD, AY-DB	13
206	BRFM22A5-3		..NUTPLATE- (V52828) (SPEC BACN10JQ35) (OPT MF19058-3-5BAC (V15653))	B-D, N-Q,A C,AD, AY-DB	27
208	BACN10JQ36		..NUTPLATE	B-D, N-Q,A C,AD, AY-DB	10
210	NS103225-02		..NUTPLATE- (V80539) (SPEC BACN10KH3) (OPT RMF9209M3 (V72962)) (OPT RMF9209M3 (V72962))	B-D, N-Q,A C,AD, AY-DB	4

57-43-51

 ILLUSTRATED PARTS LIST
 01.1 Page 1074L
 Mar 01/04

FIG. & ITEM	PART NO.	AIRLINE PART NUMBER	NOMENCLATURE 1234567	EFF CODE	QTY PER ASSY
03-212	BACB30NU3K5		..BOLT	B-D, N-Q,A C,AD, AY-DB	8
214	BACB30NT3K3		..BOLT	B-D, N-Q,A C,AD, AY-DB	2
215	BACB30NT3K6		..BOLT	AC,AD ,BL,B M,DA, DB	2
216	BACB30NT3K5		..BOLT	B-D, N-Q,A Y-BK, BN-BZ	8
217	BACB30NT3K5		..BOLT	AC,AD ,BL,B M,DA, DB	6
218	AN960PD10		..WASHER	B-D, N-Q,A C,AD, AY-DB	6
220	H10-3BAC		..NUT- (V15653) (SPEC BACN10JC3) (OPT NS202101-02 (V80539)) (OPT RMLH9075-3W (V72962)) (OPT T6S1032J (V71087)) (OPT VN303A02 (V92215)) (OPT 96-02 (V80539)) (OPT BRH10A3 (V52828))	B-D, N-Q,A C,AD, AY-DB	6

57-43-51

FIG. & ITEM	PART NO.	AIRLINE PART NUMBER	NOMENCLATURE 1234567	EFF CODE	QTY PER ASSY
03-221	BACR15FT7AD7		..RIVET	AC,AD ,BL,B M,DA, DB	21
222	BACR15FT6AD		..RIVET- (SIZE DETERMINE ON INST)	B-D, N-Q,A Y-BK, BN-BZ	31
223	BACR15FT7AD8		..RIVET	AC,AD ,BL,B M,DA, DB	2
223H	BACR15FT6AD8		..RIVET	AC,AD ,BL,B M,DA, DB	6
224	114T4263-21		..PANEL-COVE	B-D,A C,A Y-BM	1
-226	114T4263-22		..PANEL-COVE	N-Q,A D,B N-DB	1
228	114T4110-41		..STIFFENER-COVE PNL	B-D, N-Q,A C,AD, AY-DB	1
230	BACR15BA3AD		..RIVET- (SIZE DETERMINE ON INST)	B-D, N-Q,A C,AD, AY-DB	24

57-43-51

ILLUSTRATED PARTS LIST
 01.1 Page 1074N
 Mar 01/04

FIG. & ITEM	PART NO.	AIRLINE PART NUMBER	NOMENCLATURE 1234567	EFF CODE	QTY PER ASSY
03-232	BACN10JQ32		..NUTPLATE	B-D, N-Q,A C,AD, AY-DB	2
234	BRFM22A3-3		..NUTPLATE- (V52828) (SPEC BACN10JQ33) (OPT MF19058-3-3BAC (V15653))	B-D, N-Q,A C,AD, AY-DB	4
236	NS103225-02		..NUTPLATE- (V80539) (SPEC BACN10KH3) (OPT RMF9209M3 (V72962)) (OPT RMF9209M3 (V72962))	B-D, N-Q,A C,AD, AY-DB	6
238	BACB30NN3K6		..BOLT	B,C,N ,P,AC ,AD,A Y-DB	5
240	BACB30NT3K7		..BOLT	B-D, N-Q,A C,AD, AY-DB	20
242	114T4263-7		..PANEL-COVE	B-D,A C,A Y-BM	1
-244	114T4263-8		..PANEL-COVE	N-Q,A D,B N-DB	1

57-43-51

FIG. & ITEM	PART NO.	AIRLINE PART NUMBER	NOMENCLATURE 1234567	EFF CODE	QTY PER ASSY
03-246	114T4110-43		..STIFFENER-COVE PNL	B-D, N-Q,A C,AD, AY-DB	1
248	BACR15BA3AD		..RIVET- (SIZE DETERMINE ON INST)	B-D, N-Q,A C,AD, AY-DB	50
250	BRFM22A3-3		..NUTPLATE- (V52828) (SPEC BACN10JQ33) (OPT MF19058-3-3BAC (V15653))	B-D, N-Q,A C,AD, AY-DB	1
252	BRFM22A4-3		..NUTPLATE- (V52828) (SPEC BACN10JQ34) (OPT MF19058-3-4BAC (V15653))	B-D, N-Q,A C,AD, AY-DB	4
254	BRFM22A5-3		..NUTPLATE- (V52828) (SPEC BACN10JQ35) (OPT MF19058-3-5BAC (V15653))	B-D, N-Q,A C,AD, AY-DB	14
256	BACN10JQ36		..NUTPLATE	B-D, N-Q,A C,AD, AY-DB	6
258	BACB30NU3K5		..BOLT	B-D, N-Q,A C,AD, AY-DB	12
260	BACB30NN3K6		..BOLT	B-D, N-Q,A C,AD, AY-DB	2
262	BACB30NT3K3		..BOLT	B-D, N-Q,A C,AD, AY-DB	2

57-43-51

 ILLUSTRATED PARTS LIST
 01.1 Page 1074P
 Mar 01/04

FIG. & ITEM	PART NO.	AIRLINE PART NUMBER	NOMENCLATURE 1234567	EFF CODE	QTY PER ASSY
03-264	BACB30NT3K5		..BOLT	B-D, N-Q,A C,AD, AY-DB	6
266	BACR15FT5AD		..RIVET- (SIZE DETERMINE ON INST)	B-D, N-Q,A C,AD, AY-DB	43
268	114T4302-1		DELETED		
268B	114T4302-3		DELETED		
268C	114T4302-4		..FITTING-ALIGNMENT	B-D, N-Q,A C,AD, AY-DB	1
270	114T4263-9		..PANEL-COVE	B-D,A C,A Y-BM	1
-272	114T4263-10		..PANEL-COVE	N-Q,A D,B N-DB	1
274	114T4110-45		..STIFFENER	B-D, N-Q,A C,AD, AY-DB	1
276	BACR15BA3AD		..RIVET- (SIZE DETERMINE ON INST)	B-D, N-Q,A C,AD, AY-DB	28
278	BACN10JQ32		..NUTPLATE	B-D, N-Q,A C,AD, AY-DB	2
280	BRFM22A3-3		..NUTPLATE- (V52828) (SPEC BACN10JQ33) (OPT MF19058-3-3BAC (V15653))	B-D, N-Q,A C,AD, AY-DB	10

57-43-51

FIG. & ITEM	PART NO.	AIRLINE PART NUMBER	NOMENCLATURE 1234567	EFF CODE	QTY PER ASSY
03-282	NS103225-02		..NUTPLATE- (V80539) (SPEC BACN10KH3) (OPT RMF9209M3 (V72962)) (OPT RMF9209M3 (V72962))	B-D, N-Q,A C,AD, AY-DB	4
284	BACB30NN3K6		..BOLT	B-D, N-Q,A C,AD, AY-DB	5
286	BACB30NT3K7		..BOLT	B-D, N-Q,A C,AD, AY-DB	20
288	114T4263-11		..PANEL-COVE	B-D,A C,A Y-BM	1
-290	114T4263-12		..PANEL-COVE	N-Q,A D,B N-DB	1
292	114T4110-47		..STIFFENER	B-D, N-Q,A C,AD, AY-DB	1
294	BACR15BA3AD		..RIVET- (SIZE DETERMINE ON INST)	B-D, N-Q,A C,AD, AY-DB	50

57-43-51

ILLUSTRATED PARTS LIST
01.1 Page 1074R
Mar 01/04

FIG. & ITEM	PART NO.	AIRLINE PART NUMBER	NOMENCLATURE 1234567	EFF CODE	QTY PER ASSY
03-296	BRFM22A3-3		..NUTPLATE- (V52828) (SPEC BACN10JQ33) (OPT MF19058-3-3BAC (V15653))	B-D, N-Q,A C,AD, AY-DB	2
298	BRFM22A4-3		..NUTPLATE- (V52828) (SPEC BACN10JQ34) (OPT MF19058-3-4BAC (V15653))	B-D, N-Q,A C,AD, AY-DB	3
300	BRFM22A5-3		..NUTPLATE- (V52828) (SPEC BACN10JQ35) (OPT MF19058-3-5BAC (V15653))	B-D, N-Q,A C,AD, AY-DB	14
302	BACN10JQ36		..NUTPLATE	B-D, N-Q,A C,AD, AY-DB	6
304	BACB30NU3K5		..BOLT	B-D, N-Q,A C,AD, AY-DB	8
306	BACB30NT3K3		..BOLT	B-D, N-Q,A C,AD, AY-DB	2
307	BACB30NT3K6		..BOLT	AC,AD ,BL,B M,DA, DB	2
308	BACB30NT3K5		..BOLT	B-D, N-Q,A Y-BK, BN-BZ	8
309	BACB30NT3K5		..BOLT	AC,AD ,BL,B M,DA, DB	6
310	AN960PD10		..WASHER	B-D, N-Q,A C,AD, AY-DB	6

57-43-51

FIG. & ITEM	PART NO.	AIRLINE PART NUMBER	NOMENCLATURE 1234567	EFF CODE	QTY PER ASSY
03-312	H10-3BAC		..NUT- (V15653) (SPEC BACN10JC3) (OPT NS202101-02 (V80539)) (OPT RMLH9075-3W (V72962)) (OPT T6S1032J (V71087)) (OPT VN303A02 (V92215)) (OPT 96-02 (V80539)) (OPT BRH10A3 (V52828))	B-D, N-Q,A C,AD, AY-DB	6
313	BACR15FT7AD7		..RIVET	AC,AD ,BL,B M,DA, DB	22
314	BACR15FT6AD		..RIVET- (SIZE DETERMINE ON INST)	B-D, N-Q,A Y-BK, BN-BZ	32
315	BACR15FT7AD8		..RIVET	AC,AD ,BL,B M,DA, DB	2
315H	BACR15FT6AD8		..RIVET	AC,AD ,BL,B M,DA, DB	6
316	114T4263-23		..PANEL-COVE	B-D,A C,A Y-BM	1
-318	114T4263-24		..PANEL-COVE	N-Q,A D,B N-DB	1
320	114T4110-49		..STIFFENER	B-D, N-Q,A C,AD, AY-DB	1
322	BACR15BA3AD		..RIVET- (SIZE DETERMINE ON INST)	B-D, N-Q,A C,AD, AY-DB	24

57-43-51

 ILLUSTRATED PARTS LIST
 01.1 Page 1074T
 Mar 01/04

FIG. & ITEM	PART NO.	AIRLINE PART NUMBER	NOMENCLATURE 1234567	EFF CODE	QTY PER ASSY
03-324	BACN10JQ32		..NUTPLATE	B-D, N-Q,A C,AD, AY-DB	2
326	BRFM22A3-3		..NUTPLATE- (V52828) (SPEC BACN10JQ33) (OPT MF19058-3-3BAC (V15653))	B-D, N-Q,A C,AD, AY-DB	4
328	NS103225-02		..NUTPLATE- (V80539) (SPEC BACN10KH3) (OPT RMF9209M3 (V72962)) (OPT RMF9209M3 (V72962))	B-D, N-Q,A C,AD, AY-DB	4
330	BACB30NN3K6		..BOLT	B-D, N-Q,A C,AD, AY-DB	16
332	BACB30NT3K7		..BOLT	B-D, N-Q,A C,AD, AY-DB	77
334	114T4263-15		..PANEL-COVE (USED ON ITEM 6)	B,C,A C,A Y-BF, BL,BM	1
-335	114T4263-27		..PANEL-COVE (USED ON ITEMS 7, 7A)	B-D,A C,A Y-BM	1
-336	114T4263-16		..PANEL-COVE (USED ON ITEM 8)	N,P,A D,B N-BV, DA,DB	1
-337	114T4263-28		..PANEL-COVE (USED ON ITEMS 9, 9A)	N-Q,A D,B N-DB	1
338	BACR15BA5AD		..RIVET- (SIZE DETERMINE ON INST)	B-D, N-Q,A C,AD, AY-DB	2
340	114T4110-53		..STIFFENER-COVE PNL	B-D,A C,A Y-BM	1

57-43-51

FIG. & ITEM	PART NO.	AIRLINE PART NUMBER	NOMENCLATURE 1234567	EFF CODE	QTY PER ASSY
03-342	114T4110-54		..STIFFENER-COVE PNL	N-Q,A D,B N-DB	1
344	114T4110-51		..STIFFENER-COVE PNL	B-D, N-Q,A C,AD, AY-DB	1
346	BACR15BA3AD		..RIVET- (SIZE DETERMINE ON INST)	B-D, N-Q,A C,AD, AY-DB	114
348	BRFM22A3-3		..NUTPLATE- (V52828) (SPEC BACN10JQ33) (OPT MF19058-3-3BAC (V15653))	B-D, N-Q,A C,AD, AY-DB	3
350	BRFM22A4-3		..NUTPLATE- (V52828) (SPEC BACN10JQ34) (OPT MF19058-3-4BAC (V15653))	B-D, N-Q,A C,AD, AY-DB	14
352	BRFM22A5-3		..NUTPLATE- (V52828) (SPEC BACN10JQ35) (OPT MF19058-3-5BAC (V15653))	B-D, N-Q,A C,AD, AY-DB	26
354	BACN10JQ36		..NUTPLATE	B-D, N-Q,A C,AD, AY-DB	10
356	NS103225-02		..NUTPLATE- (V80539) (SPEC BACN10KH3) (OPT RMF9209M3 (V72962)) (OPT RMF9209M3 (V72962))	B-D, N-Q,A C,AD, AY-DB	4
358	BACB30NU3K4		..BOLT	B-D, N-Q,A C,AD, AY-DB	10
360	BACB30NU3K5		..BOLT	B-D, N-Q,A C,AD, AY-DB	1

57-43-51

 ILLUSTRATED PARTS LIST
 01.1 Page 1074V
 Mar 01/04

FIG. & ITEM	PART NO.	AIRLINE PART NUMBER	NOMENCLATURE 1234567	EFF CODE	QTY PER ASSY
03-362	BACB30NT3K2		..BOLT	B-D, N-Q,A C,AD, AY-DB	3
364	BACB30NT3K3		..BOLT	B-D, N-Q,A C,AD, AY-DB	17
366	BACB30NT3K5		..BOLT	B-D, N-Q,A C,AD, AY-DB	1
368	BACR15FT5AD		..RIVET- (SIZE DETERMINE ON INST)	B-D, N-Q,A C,AD, AY-DB	8
370	114T4263-17		..PANEL-COVE	B-D,A C,A Y-BM	1
-372	114T4263-18		..PANEL-COVE	N-Q,A D,B N-DB	1
374	114T4110-55		..STIFFENER-COVE PNL	B-D, N-Q,A C,AD, AY-DB	1
376	BACR15BA3AD		..RIVET- (SIZE DETERMINE ON INST)	B-D, N-Q,A C,AD, AY-DB	48
378	BACN10JQ32		..NUTPLATE	B-D, N-Q,A C,AD, AY-DB	23
380 380A	BACN10KH NS103225-02		DELETED ..NUTPLATE- (V80539) (SPEC BACN10KH3) (OPT RMF9209M3 (V72962)) (OPT F29779-3 (V15653))	B-D, N-Q,A C,AD, AY-DB	1

57-43-51

FIG. & ITEM	PART NO.	AIRLINE PART NUMBER	NOMENCLATURE 1234567	EFF CODE	QTY PER ASSY
03-382	BACB30NW6K		..BOLT- (SIZE DETERMINE ON INST)	B-D, N-Q,A C,AD, AY-DB	34
384	AN960PD10		..WASHER	B-D, N-Q,A C,AD, AY-DB	16
386	HL79-6		..COLLAR- (V5M902) (SPEC BACC30M6) (OPT HL79-6 (V73197)) (OPT HL79-6 (V92215)) (OPT 66014-6 (V56878)) (OPT HL79-6 (V56878))	B-D, N-Q,A C,AD, AY-DB	34
388	BACR15CE5KE		..RIVET- (SIZE DETERMINE ON INST)	B-D, N-Q,A C,AD, AY-DB	130
390	114T4101-23		..WASHER	B-D, N-Q,A C,AD, AY-DB	42
392	114T4113-7		..WEDGE ASSY-TE (OPT ITEM 392A) (PRE SB 767-57A0039) (PRE SB 767-57A0057)	B-D,A C	1
-392A	114T4113-9		..WEDGE ASSY-TE (PRE SB 767-57A0039) (PRE SB 767-57A0057) (OPT ITEM 392)	B-D,A C	1
-392B	114T4113-17		..WEDGE ASSY-TE (POST SB 767-57A0057)	AY-BA ,BE,B G,BH, BL	1
-392C	114T4113-19		..WEDGE ASSY-TE (POST SB 767-57A0057)	BB-BD ,BF,B J,BK, BM	1

57-43-51

 ILLUSTRATED PARTS LIST
 01.1 Page 1074X
 Mar 01/04

FIG. & ITEM	PART NO.	AIRLINE PART NUMBER	NOMENCLATURE 1234567	EFF CODE	QTY PER ASSY
03-394	114T4113-8		..WEDGE ASSY-TE (OPT ITEM 394A) (PRE SB 767-57A0039) (PRE SB 767-57A0057)	N-Q,A D	1
-394A	114T4113-10		..WEDGE ASSY-TE (OPT ITEM 394) (PRE SB 767-57A0039) (PRE SB 767-57A0057)	N-Q,A D	1
-394B	114T4113-18		..WEDGE ASSY-TE (POST SB 767-57A0057)	BN-BQ ,BU,B W,BX, DA	1
-394C	114T4113-20		..WEDGE ASSY-TE (POST SB 767-57A0057)	BR-BT ,BV,B Y,BZ, DB	1
394G	BACS40R09C09F		..SHIM	B-D, N-Q,A C,AD, AY-DB	2
395	BACS40R09C17F		..SHIM	B-D, N-Q,A C,AD, BY-DB	1
395A	BACS40R09C19F		..SHIM	B-D, N-Q,A C,AD, AY-DB	6
396	114T4175-15		..SHIELD-THRM BARRIER	B-D, N-Q,A C,AD, AY-DB	1
398	114T4175-16		..SHIELD-THRM BARRIER	B-D, N-Q,A C,AD, AY-DB	1

57-43-51

FIG. & ITEM	PART NO.	AIRLINE PART NUMBER	NOMENCLATURE 1234567	EFF CODE	QTY PER ASSY
03-400	114T4175-17		..SHIELD-THRM BARRIER	B-D, N-Q,A C,AD, AY-DB	1
402	114T4175-18		..SHIELD-THRM BARRIER	B-D, N-Q,A C,AD, AY-DB	1
404	114T4175-3		..SHIELD-THRM BARRIER	B-D, N-Q,A C,AD, AY-DB	2
406	114T4175-4		..SHIELD-THRM BARRIER	B-D, N-Q,A C,AD, AY-DB	2
408	114T4174-20		..SEAL-RUBBER	B-D, N-Q,A C,AD, AY-DB	1
410	114T4174-21		..SEAL-RUBBER	B-D, N-Q,A C,AD, AY-DB	1
412	114T4174-16		..SEAL-RUBBER	B-D, N-Q,A C,AD, AY-DB	2
414	114T4174-17		..SEAL-RUBBER	B-D, N-Q,A C,AD, AY-DB	2

57-43-51

 ILLUSTRATED PARTS LIST
 01.1 Page 1074Z
 Mar 01/04

FIG. & ITEM	PART NO.	AIRLINE PART NUMBER	NOMENCLATURE 1234567	EFF CODE	QTY PER ASSY
03-416	114T4174-7		..SEAL-RUBBER	B-D, N-Q,A C,AD, AY-DB	2
418	114T4174-12		..SEAL-RUBBER	B-D, N-Q,A C,AD, AY-DB	4
420	114T4174-3		..SEAL-RUBBER	B-D, N-Q,A C,AD, AY-DB	2
422	114T4174-13		..SEAL-RUBBER	B-D, N-Q,A C,AD, AY-DB	2
424	114T4174-18		..SEAL-RUBBER	B-D, N-Q,A C,AD, AY-DB	2
426	114T4173-3		..SEAL-SPONGE	B-D, N-Q,A C,AD, AY-DB	16
430	114T4158-1		..PANEL ASSY-ACCESS	B-D,A C,A Y-BM	1
-432	114T4158-2		..PANEL ASSY-ACCESS	N-Q,A D,B N-DB	1

57-43-51

FIG. & ITEM	PART NO.	AIRLINE PART NUMBER	NOMENCLATURE 1234567	EFF CODE	QTY PER ASSY
03-434	BACB30NN3K5		..BOLT	B,C,N ,P,AC ,AD,A Y-BF, BL-BV DA,DB	28
434A	BACB30NN3K5		..BOLT -----*-----	D,Q,B G-BK,	29
436	BACR15BA3AD		..RIVET- (SIZE DETERMINE ON INST)	BW-BZ B-D, N-Q,A C,AD, AY-DB	44
437	BACR15BB3A		..RIVET- (SIZE DETERMINE ON INST)	B,C,N ,P,AC ,AD,A Y-BF, BL-BV DA,DB	4
437A	BACR15BB3A		..RIVET- (SIZE DETERMINE ON INST)	D,Q,B G-BK, BW-BZ	6
438	BRFM22A4-3		..NUTPLATE- (V52828) (SPEC BACN10JQ34) (OPT MF19058-3-4BAC (V15653))	B,C,N ,P,AC ,AD,A Y-BF, BL-BV DA,DB	15
438A	BRFM22A4-3		..NUTPLATE- (V52828) (SPEC BACN10JQ34) (OPT MF19058-3-4BAC (V15653))	D,Q,B G-BK, BW-BZ	16
440	BACB10JQ33		DELETED		
440A	BRFM22A3-3		..NUTPLATE- (V52828) (SPEC BACN10JQ33) (OPT MF19058-3-3BAC (V15653))	B-D, N-Q,A C,AD, AY-DB	7

57-43-51

 ILLUSTRATED PARTS LIST
 01.1 Page 1076
 Mar 01/04

FIG. & ITEM	PART NO.	AIRLINE PART NUMBER	NOMENCLATURE 1234567	EFF CODE	QTY PER ASSY
03-442	NS103225-02		..NUTPLATE- (V80539) (SPEC BACN10KH3) (OPT RMF9209M3 (V72962)) (OPT RMF9209M3 (V72962))	B-D, N-Q,A C,AD, AY-DB	2
444	NAS1195DD3KH		..SHIM	B-D, N-Q,A C,AD, AY-DB	2
444G	114T4912-7		..FITTING-INSERT	B-D,A C,A Y-BM	1
-445	114T4912-8		..FITTING-INSERT	N-Q,A D,B N-DB	1
445G	BACR15BA5AD		..RIVET- (SIZE DETERMINE ON INST)	B-D, N-Q,A C,AD, AY-DB	2
446	114T4158-3		..PANEL ASSY-ACCESS	B-D,A C,A Y-BM	1
-448	114T4158-4		..PANEL ASSY-ACCESS	N-Q,A D,B N-DB	1
450	BACB30NN3K5		ATTACHING PARTS ..BOLT	B,C,N ,P,AC ,AD,A Y-BF, BL-BV DA,DB	28
450A	BACB30NN3K5		..BOLT -----*-----	D,Q,B G-BK, BW-BZ	30

57-43-51

FIG. & ITEM	PART NO.	AIRLINE PART NUMBER	NOMENCLATURE 1234567	EFF CODE	QTY PER ASSY
03-452	BACR15BA3AD		..RIVET- (SIZE DETERMINE ON INST)	B,C,N ,P,AC ,AD,A Y-BF, BL-BV DA,DB	48
452A	BACR15BA3AD		..RIVET- (SIZE DETERMINE ON INST)	D,Q,B G-BK, BW-BZ	52
454	BRFM22A4-3		..NUTPLATE- (V52828) (SPEC BACN10JQ34) (OPT MF19058-3-4BAC (V15653))	B,C,N ,P,AC ,AD,A Y-BF, BL-BV DA,DB	15
454A	BRFM22A4-3		..NUTPLATE- (V52828) (SPEC BACN10JQ34) (OPT MF19058-3-4BAC (V15653))	D,Q,B G-BK, BW-BZ	17
456	BACN10JQ32		..NUTPLATE	B-D, N-Q,A C,AD, AY-DB	7
458	NS103225-02		..NUTPLATE- (V80539) (SPEC BACN10KH3) (OPT RMF9209M3 (V72962)) (OPT RMF9209M3 (V72962))	B-D, N-Q,A C,AD, AY-DB	2

57-43-51

 ILLUSTRATED PARTS LIST
 01.1 Page 1076B
 Mar 01/04

FIG. & ITEM	PART NO.	AIRLINE PART NUMBER	NOMENCLATURE 1234567	EFF CODE	QTY PER ASSY
03-460	NAS1195DD3KH		..SHIM	B-D, N-Q,A C,AD, AY-DB	2
460G	114T4912-9		..FITTING-INSERT	B-D,A C,A Y-BM	1
-460M	114T4912-10		..FITTING-INSERT	N-Q,A D,B N-DB	1
460T	BACR15BA5AD		..RIVET- (SIZE DETERMINE ON INST)	B-D, N-Q,A C,AD, AY-DB	2
461	BACB30NN3K4		..BOLT	B-D, N-Q,A C,AD, AY-DB	4
462	BACR15BA3AD		..RIVET- (SIZE DETERMINE ON INST)	B-D, N-Q,A C,AD, AY-DB	8
464	BRFM20A3		..NUTPLATE- (V52828) (SPEC BACN10JN3) (OPT MF1000-3BAC (V15653)) (OPT NS103218-02 (V80539)) (OPT RMF9201M3 (V72962)) (OPT VN252A02 (V92215)) (OPT MF1000-3BAC (V15653)) (OPT MF53049-3 (V15653))	B-D, N-Q,A C,AD, AY-DB	4

57-43-51

FIG. & ITEM	PART NO.	AIRLINE PART NUMBER	NOMENCLATURE 1234567	EFF CODE	QTY PER ASSY
03-466	114T4604-13		..RIB ASSY-ACTR	B-D, A C, A Y-BM	1
-468	114T4604-14		..RIB ASSY-ACTR	N-Q, A D, B N-DB	1
470	114T4605-13		..RIB ASSY-ACTR	B-D, A C, A Y-BM	1
-472	114T4605-14		..RIB ASSY-ACTR	N-Q, A D, B N-DB	1
			ATTACHING PARTS		
474	BACB30NU3K5		DELETED		
476	AN960PD10		DELETED		
478	BACN10KC3		DELETED		
478A	H10-3BAC		DELETED		
480	BACB30NW6K		DELETED		
482	BACB30MY6K		DELETED		
484	HL79-6		DELETED		
486	BACR15FT6AD		DELETED		
488	BACS40R09C17F		DELETED		
490	BACB28AM07B020A		...BUSHING	B-D, A N-Q, A C, AD, AY-DB	1
492	BACB28AP05P019		...BUSHING	B-D, A N-Q, A C, AD, AY-DB	1
494	BACR15BA3AD		...RIVET- (SIZE DETERMINE ON INST)	B-D, A N-Q, A C, AD, AY-DB	36
496	BRFM22A3-3		...NUTPLATE- (V52828) (SPEC BACN10JQ33) (OPT MF19058-3-3BAC (V15653))	B-D, A N-Q, A C, AD, AY-DB	10
498	BRFM22A4-3		...NUTPLATE- (V52828) (SPEC BACN10JQ34) (OPT MF19058-3-4BAC (V15653))	B-D, A N-Q, A C, AD, AY-DB	6

57-43-51

 ILLUSTRATED PARTS LIST
 01.1 Page 1076D
 Mar 01/04

FIG. & ITEM	PART NO.	AIRLINE PART NUMBER	NOMENCLATURE 1234567	EFF CODE	QTY PER ASSY
03-500	NS103225-02		...NUTPLATE- (V80539) (SPEC BACN10KH3) (OPT RMF9209M3 (V72962)) (OPT RMF9209M3 (V72962))	B-D, N-Q,A C,AD, AY-DB	2
502	NAS1195DD3KH		...SHIM	B-D, N-Q,A C,AD, AY-DB	4
504	114T4604-15		...RIB- (USED ON ITEM 466)	B-D,A C,A Y-BM	1
-506	114T4604-16		...RIB- (USED ON ITEM 468)	N-Q,A D,B N-DB	1
508	114T4605-15		...RIB- (USED ON ITEM 470)	B-D,A C,A Y-BM	1
-510	114T4605-16		...RIB- (USED ON ITEM 472)	N-Q,A D,B N-DB	1
511	HL10VAZ6-7		..BOLT- (V60516) (SPEC BACB30MY6K7) (OPT B30MY6K7 (V97928)) (REWORK DWG 114T4183-1, 114T4183-2) (USED ON ITEMS 6, 8)	B,C,N ,P,AC ,AD,A Y-BF, BL-BV DA,DB	4

57-43-51

FIG. & ITEM	PART NO.	AIRLINE PART NUMBER	NOMENCLATURE 1234567	EFF CODE	QTY PER ASSY
03- 512 512A	114T4404-9 H10-3BAC		DELETED ..NUT- (V15653) (SPEC BACN10JC3) (OPT NS202101-02 (V80539)) (OPT RMLH9075-3W (V72962)) (OPT T6S1032J (V71087)) (OPT VN303A02 (V92215)) (OPT 96-02 (V80539)) (OPT BRH10A3 (V52828)) (REWORK DWG 114T4183-1, 114T4183-2) (USED ON ITEMS 6, 8)	B,C,N ,P,AC ,AD,A Y-BF, BL-BV DA,DB	4
-513 513A	114T4404-13 114T4136-1		DELETED ..FITTING- (REWORK DWG 114T4183-1, 114T4183-2) (USED ON ITEMS 6, 8)	B,C,N ,P,AC ,AD,A Y-BF, BL-BV DA,DB	1
-514 514A	114T4404-10 114T4136-2		DELETED ..FITTING- (REWORK DWG 114T4183-1, 114T4183-2) (USED ON ITEMS 6, 8)	B,C,N ,P,AC ,AD,A Y-BF, BL-BV DA,DB	1

57-43-51

 ILLUSTRATED PARTS LIST
 01.1 Page 1076F
 Mar 01/04

FIG. & ITEM	PART NO.	AIRLINE PART NUMBER	NOMENCLATURE 1234567	EFF CODE	QTY PER ASSY
03- -515 515A	114T4404-14 BACS12ER3C15		DELETED ..SCREW- (REWORK DWG 114T4183-1, 114T4183-2) (USED ON ITEMS 6, 8)	B,C,N ,P,AC ,AD,A Y-BF, BL-BV DA,DB	2
516 516A	BACB30NU3K5 H10-3BAC		DELETED ..NUT- (V15653) (SPEC BACN10JC3) (OPT NS202101-02 (V80539)) (OPT RMLH9075-3W (V72962)) (OPT T6S1032J (V71087)) (OPT VN303A02 (V92215)) (OPT 96-02 (V80539)) (OPT BRH10A3 (V52828)) (REWORK DWG 114T4183-1, 114T4183-2) (USED ON ITEMS 6, 8)	B,C,N ,P,AC ,AD,A Y-BF, BL-BV DA,DB	2
517	BACR15CE5AD		..RIVET- (SIZE DETERMINE ON INST) (REWORK DWG 114T4183-1, 114T4183-2) (USED ON ITEMS 6, 8)	B,C,N ,P,AC ,AD,A Y-BF, BL-BV DA,DB	4

57-43-51

FIG. & ITEM	PART NO.	AIRLINE PART NUMBER	NOMENCLATURE 1234567	EFF CODE	QTY PER ASSY
03- 518 518A 518B	BACB30NU357 BACB30NU3K7 114T6415-1		DELETED DELETED ..PLATE- (REWORK DWG 114T4183-1, 114T4183-2) (USED ON ITEMS 6, 8)	B,C,N ,P,AC ,AD,A Y-BF, BL-BV DA,DB	2
519	HL10VAZ12-11		..BOLT- (V60516) (SPEC BACB30MY12K11) (OPT B30MY12K11 (V97928)) (REWORK DWG 114T4183-1, 114T4183-2) (USED ON ITEMS 6, 8)	B,C,N ,P,AC ,AD,A Y-BF, BL-BV DA,DB	1
520 520A	BACB30NT3K22 HL10VAZ12-10		DELETED ..BOLT- (V60516) (SPEC BACB30MY12K10) (OPT B30MY12K10 (V97928)) (REWORK DWG 114T4183-1, 114T4183-2) (USED ON ITEMS 6, 8)	B,C,N ,P,AC ,AD,A Y-BF, BL-BV DA,DB	1
521	HL82-12APBW		..COLLAR- (V5M902) (SPEC BACC30AG12) (OPT HL82-12APBW (V56878)) (OPT HL82-12APBW (V73197)) (REWORK DWG 114T4183-1, 114T4183-2) (USED ON ITEMS 6, 8)	B,C,N ,P,AC ,AD,A Y-BF, BL-BV DA,DB	2
522 522A	AN960PD10 BACS40R12D24F		DELETED ..SHIM- (REWORK DWG 114T4183-1, 114T4183-2) (USED ON ITEMS 6, 8)	B,C,N ,P,AC ,AD,A Y-BF, BL-BV DA,DB	1

57-43-51

 ILLUSTRATED PARTS LIST
 01.1 Page 1076H
 Mar 01/04

FIG. & ITEM	PART NO.	AIRLINE PART NUMBER	NOMENCLATURE 1234567	EFF CODE	QTY PER ASSY
03-523A	114T4190-1		..FITTING ASSY-MAIN TRACK PIVOT (REWORK DWG 114T4183-1) (USED ON ITEM 6)	B,C,A C,A Y-BF, BL,BM	1
524-524A	H10-3BAC 114T4190-2		DELETED ..FITTING ASSY-MAIN TRACK PIVOT (REWORK DWG 114T4183-2) (USED ON ITEM 8)	N,P,A D,B N-BV, DA,DB	1
525	HL111VAZ6-9		..BOLT- (V60516) (SPEC BACB30NW6K9X) (OPT HL11VAZ6-9X (V73197)) (OPT HL11VAZ6-9X (V92215)) (OPT L803-6K9X (V06725)) (OPT B30NW6K9X (V97928)) (OPT HL11VAZ6-9X (V97928)) (OPT HL11VAZ6-9X (VOPTK6)) (OPT HL11VAZ6-9X (V60516)) (OPT HL11VAZ6-9X (V56878)) (REWORK DWG 114T4183-1, 114T4183-2)	B,C,N ,P,AC ,AD,A Y-BF, BL-BV DA,DB	2

57-43-51

FIG. & ITEM	PART NO.	AIRLINE PART NUMBER	NOMENCLATURE 1234567	EFF CODE	QTY PER ASSY
03- 526 526A	BACB30NW6K HL79-6		DELETED ..COLLAR- (V5M902) (SPEC BACC30M6) (OPT HL79-6 (V73197)) (OPT HL79-6 (V92215)) (OPT 66014-6 (V56878)) (OPT HL79-6 (V56878)) (REWORK DWG 114T4183-1, 114T4183-2)	B,C,N ,P,AC ,AD,A Y-BF, BL-BV DA,DB	2
527	BACB30LL3-9X		..BOLT- (REWORK DWG 114T4183-1, 114T4183-2)	B,C,N ,P,AC ,AD,A Y-BF, BL-BV DA,DB	1
528 528A	BACB30MY6K H10-3BAC		DELETED ..NUT- (V15653) (SPEC BACN10JC3) (OPT NS202101-02 (V80539)) (OPT RMLH9075-3W (V72962)) (OPT T6S1032J (V71087)) (OPT VN303A02 (V92215)) (OPT 96-02 (V80539)) (OPT BRH10A3 (V52828)) (REWORK DWG 114T4183-1, 114T4183-2)	B,C,N ,P,AC ,AD,A Y-BF, BL-BV DA,DB	1

57-43-51

ILLUSTRATED PARTS LIST
01.1 Page 1076J
Mar 01/04

FIG. & ITEM	PART NO.	AIRLINE PART NUMBER	NOMENCLATURE 1234567	EFF CODE	QTY PER ASSY
03-529	BACB30NM3K10		..BOLT- (REWORK DWG 114T4183-1, 114T4183-2)	B,C,N ,P,AC ,AD,A Y-BF, BL-BV DA,DB	4
530 530A	HL79-6 BACB30NN3K9		DELETED ..BOLT- (REWORK DWG 114T4183-1, 114T4183-2) -----*-----	B,C,N ,P,AC ,AD,A Y-BF, BL-BV	2
531	012T2400-43		...BUSHING ATTACHING PARTS DELETED	DA,DB B,C,N ,P,AC ,AD,A Y-BF, BL-BV DA,DB	1
532 532A	BACR15FT6AD BACB28AM13B023A		...BUSHING	B,C,N ,P,AC ,AD,A Y-BF, BL-BV DA,DB	1
533	114T4190-3		...FITTING	B,C,A C,A Y-BF, BL,BM	1
534	BACS40R09C19F		DELETED		

57-43-51

FIG. & ITEM	PART NO.	AIRLINE PART NUMBER	NOMENCLATURE 1234567	EFF CODE	QTY PER ASSY
03- -534A	114T4190-4		...FITTING	N,P,A D,B N-BV, DA,DB	1
535	114T6415-3		..FILLER- (REWORK DWG 114T4183-1, 114T4183-2) (USED ON ITEMS 6, 8)	B,C,N ,P,AC ,AD,A Y-BF, BL-BV DA,DB	1
536 536A	BACS40R10C17F 114T6415-5		DELETED ..FILLER- (REWORK DWG 114T4183-1, 114T4183-2) (USED ON ITEMS 6, 8)	B,C,N ,P,AC ,AD,A Y-BF, BL-BV DA,DB	2
536E	BACS40R08D34F		..SHIM- (REWORK DWG 114T4183-1, 114T4183-2) (USED ON ITEMS 6, 8)	B,C,N ,P,AC ,AD,A Y-BF, BL-BV DA,DB	1
537	114T4404-9		..RIB ASSY-MAIN TRACK (REWORK DWG 114T4183-3) (USED ON ITEM 6)	B,C,A C,A Y-BF, BL,BM	1
538 538A	BACB28AM13B023A 114T4404-13		DELETED ..RIB ASSY-MAIN TRACK (USED ON ITEMS 7, 7A)	B-D,A C,A Y-BM	1
539 -539A	BACB28AM13B040A 114T4404-10		DELETED ..RIB ASSY-MAIN TRACK (REWORK DWG 114T4183-4) (USED ON ITEM 8)	N,P,A D,B N-BV, DA,DB	1
540 -540A	BACB28AP09P022 114T4404-14		DELETED ..RIB ASSY-MAIN TRACK (USED ON ITEMS 8, 8A)	N-Q,A D,B N-DB	1
541	BACB28AP09P039		...BUSHING- (USED ON ITEMS 538A, 540A)	B-D, N-Q,A C,AD, AY-DB	1

57-43-51

 ILLUSTRATED PARTS LIST
 01.1 Page 1076L
 Mar 01/04

FIG. & ITEM	PART NO.	AIRLINE PART NUMBER	NOMENCLATURE 1234567	EFF CODE	QTY PER ASSY
03-541G	BACB28AM13B040A		...BUSHING- (USED ON ITEMS 538A, 540A)	B-D, N-Q,A C,AD, AY-DB	1
542	BACR15BA3AD		...RIVET- (SIZE DETERMINE ON INST) (USED ON ITEMS 537, 539A)	B,C,N ,P,AC ,AD,A Y-BF, BL-BV DA,DB	40
543	BACR15BA3AD		...RIVET- (SIZE DETERMINE ON INST) (USED ON ITEMS 538A, 540A)	B-D, N-Q,A C,AD, AY-DB	36
544	BRFM22A3-3		...NUTPLATE- (V52828) (SPEC BACN10JQ33) (OPT MF19058-3-3BAC (V15653)) (USED ON ITEMS 537, 539A)	B,C,N ,P,AC ,AD,A Y-BF, BL-BV DA,DB	14
545	BRFM22A3-3		...NUTPLATE- (V52828) (SPEC BACN10JQ33) (OPT MF19058-3-3BAC (V15653)) (USED ON ITEMS 538A, 540A)	B-D, N-Q,A C,AD, AY-DB	16
546	NS103225-02		...NUTPLATE- (V80539) (SPEC BACN10KH3) (OPT RMF9209M3 (V72962)) (OPT RMF9209M3 (V72962)) (USED ON ITEMS 537, 539A)	B,C,N ,P,AC ,AD,A Y-BF, BL-BV DA,DB	6

57-43-51

FIG. & ITEM	PART NO.	AIRLINE PART NUMBER	NOMENCLATURE 1234567	EFF CODE	QTY PER ASSY
03-547	NS103225-02		...NUTPLATE- (V80539) (SPEC BACN10KH3) (OPT RMF9209M3 (V72962)) (OPT F29779-3 (V15653)) (USED ON ITEMS 538A, 540A)	B-D, N-Q,A C,AD, AY-DB	2
548	NAS1195DD3KH		...SHIM	B-D, N-Q,A C,AD, AY-DB	14
550	114T4404-11		...RIB- (USED ON ITEM 537)	B,C,A C,A Y-BF, BL,BM	1
551	114T4404-15		...RIB- (USED ON ITEM 538A)	B-D,A C,A Y-BM	1
-552	114T4404-12		...RIB- (USED ON ITEM 539A)	N,P,A D,B N-BV, DA,DB	1
-553	114T4404-16		...RIB- (USED ON ITEM 540A)	N-Q,A D,B N-DB	1
554 554A	114T4405-9 HL10VAZ6-7		DELETED ..BOLT- (V60516) (SPEC BACB30MY6K7) (OPT B30MY6K7 (V97928)) (REWORK DWG 114T4183-1, 114T4183-2) (USED ON ITEMS 6, 8)	B,C,N ,P,AC ,AD,A Y-BF, BL-BV DA,DB	4

57-43-51

 ILLUSTRATED PARTS LIST
 01.1 Page 1076N
 Mar 01/04

FIG. & ITEM	PART NO.	AIRLINE PART NUMBER	NOMENCLATURE 1234567	EFF CODE	QTY PER ASSY
03- -555 555A	114T4405-13 H10-3BAC		DELETED ..NUT- (V15653) (SPEC BACN10JC3) (OPT NS202101-02 (V80539)) (OPT RMLH9075-3W (V72962)) (OPT T6S1032J (V71087)) (OPT VN303A02 (V92215)) (OPT 96-02 (V80539)) (OPT BRH10A3 (V52828)) (REWORK DWG 114T4183-1, 114T4183-2) (USED ON ITEMS 6, 8)	B,C,N ,P,AC ,AD,A Y-BF, BL-BV DA,DB	4
-556 556A	114T4405-10 114T4136-1		DELETED ..FITTING- (REWORK DWG 114T4183-1, 114T4183-2) (USED ON ITEMS 6, 8)	B,C,N ,P,AC ,AD,A Y-BF, BL-BV DA,DB	1
-557 557A	114T4405-14 114T4136-2		DELETED ..FITTING- (REWORK DWG 114T4183-1, 114T4183-2) (USED ON ITEMS 6, 8)	B,C,N ,P,AC ,AD,A Y-BF, BL-BV DA,DB	1

57-43-51

FIG. & ITEM	PART NO.	AIRLINE PART NUMBER	NOMENCLATURE	EFF CODE	QTY PER ASSY
			1234567		
03- 558 558A	BACB30NU3K5 BACS12ER3C15		DELETED ..SCREW- (REWORK DWG 114T4183-1, 114T4183-2) (USED ON ITEMS 6, 8)	B,C,N ,P,AC ,AD,A Y-BF, BL-BV DA,DB	2
559	H10-3BAC		..NUT- (V15653) (SPEC BACN10JC3) (OPT NS202101-02 (V80539)) (OPT RMLH9075-3W (V72962)) (OPT T6S1032J (V71087)) (OPT VN303A02 (V92215)) (OPT 96-02 (V80539)) (OPT BRH10A3 (V52828)) (REWORK DWG 114T4183-1, 114T4183-2) (USED ON ITEMS 6, 8)	B,C,N ,P,AC ,AD,A Y-BF, BL-BV DA,DB	2
560 560A	BACB30NU3K7 BACR15CE5AD		DELETED ..RIVET- (SIZE DETERMINE ON INST) (REWORK DWG 114T4183-1, 114T4183-2) (USED ON ITEMS 6, 8)	B,C,N ,P,AC ,AD,A Y-BF, BL-BV DA,DB	4

57-43-51

 ILLUSTRATED PARTS LIST
 01.1 Page 1076P
 Mar 01/04

FIG. & ITEM	PART NO.	AIRLINE PART NUMBER	NOMENCLATURE 1234567	EFF CODE	QTY PER ASSY
03-561	114T6415-1		..PLATE- (REWORK DWG 114T4183-1, 114T4183-2) (USED ON ITEMS 6, 8)	B,C,N ,P,AC ,AD,A Y-BF, BL-BV DA,DB	2
562 562A	BACB30NT3K22 HL10VAZ12-11		DELETED ..BOLT- (V60516) (SPEC BACB30MY12K11) (OPT B30MY12K11 (V97928)) (REWORK DWG 114T4183-1, 114T4183-2) (USED ON ITEMS 6, 8)	B,C,N ,P,AC ,AD,A Y-BF, BL-BV DA,DB	1
563	HL10VAZ12-10		..BOLT- (V60516) (SPEC BACB30MY12K10) (OPT B30MY12K10 (V97928)) (REWORK DWG 114T4183-1, 114T4183-2) (USED ON ITEMS 6, 8)	B,C,N ,P,AC ,AD,A Y-BF, BL-BV DA,DB	1
564 564A	AN960PD10 HL82-12APBW		DELETED ..COLLAR- (V5M902) (SPEC BACC30AG12) (OPT HL82-12APBW (V56878)) (OPT HL82-12APBW (V73197)) (REWORK DWG 114T4183-1, 114T4183-2) (USED ON ITEMS 6, 8)	B,C,N ,P,AC ,AD,A Y-BF, BL-BV DA,DB	2
565	BACS40R12D24F		..SHIM- (REWORK DWG 114T4183-1, 114T4183-2) (USED ON ITEMS 6, 8)	B,C,N ,P,AC ,AD,A Y-BF, BL-BV DA,DB	1

57-43-51

FIG. & ITEM	PART NO.	AIRLINE PART NUMBER	NOMENCLATURE 1234567	EFF CODE	QTY PER ASSY
03-566 566A	H10-3BAC 114T4191-1		DELETED ..FITTING ASSY-MAIN TRACK PIVOT (REWORK DWG 114T4183-1) (USED ON ITEM 6)	B,C,A C,A Y-BF, BL,BM	1
-567	114T4191-2		..FITTING ASSY-MAIN TRACK PIVOT (REWORK DWG 114T4183-2) (USED ON ITEM 8)	N,P,A D,B N-BV, DA,DB	1
568 568A	BACB30NW6K HL111VAZ6-9		DELETED ..BOLT- (V60516) (SPEC BACB30NW6K9X) (OPT HL11VAZ6-9X (V73197)) (OPT HL11VAZ6-9X (V92215)) (OPT L803-6K9X (V06725)) (OPT B30NW6K9X (V97928)) (OPT HL11VAZ6-9X (V97928)) (OPT HL11VAZ6-9X (VOPTK6)) (OPT HL11VAZ6-9X (V60516)) (OPT HL11VAZ6-9X (V56878)) (REWORK DWG 114T4183-1, 114T4183-2)	B,C,N P,AC AD,A Y-BF, BL-BV DA,DB	2

57-43-51

ILLUSTRATED PARTS LIST
01.1 Page 1076R
Mar 01/04

FIG. & ITEM	PART NO.	AIRLINE PART NUMBER	NOMENCLATURE 1234567	EFF CODE	QTY PER ASSY
03-569	HL79-6		..COLLAR- (V5M902) (SPEC BACC30M6) (OPT HL79-6 (V73197)) (OPT HL79-6 (V92215)) (OPT 66014-6 (V56878)) (OPT HL79-6 (V56878)) (REWORK DWG 114T4183-1, 114T4183-2)	B,C,N ,P,AC ,AD,A Y-BF, BL-BV DA,DB	2
570 570A	BACB30MY6K BACB30LL3-9X		DELETED ..BOLT- (REWORK DWG 114T4183-1, 114T4183-2)	B,C,N ,P,AC ,AD,A Y-BF, BL-BV DA,DB	1
571	H10-3BAC		..NUT- (V15653) (SPEC BACN10JC3) (OPT NS202101-02 (V80539)) (OPT RMLH9075-3W (V72962)) (OPT T6S1032J (V71087)) (OPT VN303A02 (V92215)) (OPT 96-02 (V80539)) (OPT BRH10A3 (V52828)) (REWORK DWG 114T4183-1, 114T4183-2)	B,C,N ,P,AC ,AD,A Y-BF, BL-BV DA,DB	1

57-43-51

FIG. & ITEM	PART NO.	AIRLINE PART NUMBER	NOMENCLATURE	EFF CODE	QTY PER ASSY
03-572 572A	HL79-6 BACB30NM3K10		DELETED ..BOLT- (REWORK DWG 114T4183-1, 114T4183-2)	B,C,N ,P,AC ,AD,A Y-BF, BL-BV DA,DB	4
573	BACB30NN3K9		..BOLT- (REWORK DWG 114T4183-1, 114T4183-2)	B,C,N ,P,AC ,AD,A Y-BF, BL-BV DA,DB	2
574 574A	BACR15FT6AD 012T2400-43		DELETED ...BUSHING	B,C,N ,P,AC ,AD,A Y-BF, BL-BV DA,DB	1
575	BACB28AM13B023A		...BUSHING	B,C,N ,P,AC ,AD,A Y-BF, BL-BV DA,DB	1
576 576A	BACS40R09C19F 114T4191-3		DELETED ...FITTING	B,C,A C,A Y-BF, BL,BM	1

57-43-51

 ILLUSTRATED PARTS LIST
 01.1 Page 1076T
 Mar 01/04

FIG. & ITEM	PART NO.	AIRLINE PART NUMBER	NOMENCLATURE 1234567	EFF CODE	QTY PER ASSY
03- -577	114T4191-4		...FITTING	N,P,A D,B N-BV, DA,DB	1
578 578A	BACS40R10C16F 114T6415-3		DELETED ..FILLER- (REWORK DWG 114T4183-1, 114T4183-2) (USED ON ITEMS 6, 8)	B,C,N ,P,AC ,AD,A Y-BF, BL-BV DA,DB	1
578E	114T6415-5		..FILLER- (REWORK DWG 114T4183-1, 114T4183-2) (USED ON ITEMS 6, 8)	B,C,N ,P,AC ,AD,A Y-BF, BL-BV DA,DB	2
578J	BACS40R08D34F		..SHIM- (REWORK DWG 114T4183-1, 114T4183-2) (USED ON ITEMS 6, 8)	B,C,N ,P,AC ,AD,A Y-BF, BL-BV DA,DB	1
579	114T4405-9		..RIB ASSY-MAIN TRACK (REWORK DWG 114T4183-5) (USED ON ITEM 6)	B,C,A C,A Y-BF, BL,BM	1
580 580A	BACB28AM13B023A 114T4405-13		DELETED ..RIB ASSY-MAIN TRACK (USED ON ITEMS 7, 7A)	B-D,A C,A Y-BM	1
581 -581A	BACB28AM13B040A 114T4405-10		DELETED ..RIB ASSY-MAIN TRACK (REWORK DWG 114T4183-2) (USED ON ITEM 8)	N,P,A D,B N-BV, DA,DB	1
582 -582A	BACB28AP09P022 114T4405-14		DELETED ..RIB ASSY-MAIN TRACK (USED ON ITEMS 9, 9A)	N-Q,A D,B N-DB	1

57-43-51

FIG. & ITEM	PART NO.	AIRLINE PART NUMBER	NOMENCLATURE 1234567	EFF CODE	QTY PER ASSY
03-583	BACB28AP09P039		...BUSHING- (USED ON ITEMS 580A, 582A)	B-D, N-Q,A C,AD, AY-DB	1
583G	BACB28AM13B040A		...BUSHING- (USED ON ITEMS 580A, 582A)	B-D, N-Q,A C,AD, AY-DB	1
584	BACR15BA3AD		...RIVET- (SIZE DETERMINE ON INST)	B-D, N-Q,A C,AD, AY-DB	40
586	BRFM22A3-3		...NUTPLATE- (V52828) (SPEC BACN10JQ33) (OPT MF19058-3-3BAC (V15653)) (USED ON ITEMS 579, 581A)	B,C,N ,P,AC ,AD,A Y-BF, BL-BV DA,DB	16
587	BRFM22A3-3		...NUTPLATE- (V52828) (SPEC BACN10JQ33) (OPT MF19058-3-3BAC (V15653)) (USED ON ITEMS 580A, 582A)	B-D, N-Q,A C,AD, AY-DB	18
588	NS103225-02		...NUTPLATE- (V80539) (SPEC BACN10KH3) (OPT RMF9209M3 (V72962)) (OPT RMF9209M3 (V72962)) (USED ON ITEMS 579, 581A)	B,C,N ,P,AC ,AD,A Y-BF, BL-BV DA,DB	4

57-43-51

ILLUSTRATED PARTS LIST
01.1 Page 1076V
Mar 01/04

FIG. & ITEM	PART NO.	AIRLINE PART NUMBER	NOMENCLATURE 1234567	EFF CODE	QTY PER ASSY
03-589	NS103225-02		...NUTPLATE- (V80539) (SPEC BACN10KH3) (OPT RMF9209M3 (V72962)) (OPT F29779-3 (V15653)) (USED ON ITEMS 580A, 582A)	B-D, N-Q,A C,AD, AY-DB	2
590	NAS1195DD3KH		...SHIM- (USED ON ITEMS 579, 581A)	B,C,N ,P,AC ,AD,A Y-BF, BL-BV DA,DB	6
591	NAS1195DD3KH		...SHIM- (USED ON ITEMS 580A, 582A)	B-D, N-Q,A C,AD, AY-DB	2
592	114T4405-11		...RIB- (USED ON ITEM 579)	B,C,A C,A Y-BF, BL,BM	1
593	114T4405-15		...RIB- (USED ON ITEM 580A)	B-D,A C,A Y-BM	1
-594	114T4405-12		...RIB- (USED ON ITEM 581A)	N,P,A D,B N-BV, DA,DB	1

57-43-51

FIG. & ITEM	PART NO.	AIRLINE PART NUMBER	NOMENCLATURE 1234567	EFF CODE	QTY PER ASSY
03-595	114T4405-16		...RIB- (USED ON ITEM 582A)	N-Q,A D,B N-DB	1
596	114T4516-1		..RIB ASSY-AUX	B,C,A Y-BF	1
-596A	114T4516-9		..RIB ASSY-AUX (OPT ITEM 596B)	AC,BL ,BM	1
-596B	114T4516-19		..RIB ASSY-AUX (OPT ITEM 596A)	AC,BL ,BM	1
-597	114T4516-5		..RIB ASSY-AUX	D,B G-BK	1
-598	114T4516-2		..RIB ASSY-AUX	N,P,B N-BV	1
-598A	114T4516-10		..RIB ASSY-AUX (OPT ITEM 598B)	AD,DA ,DB	1
-598B	114T4516-20		..RIB ASSY-AUX (OPT ITEM 598B)	AD,DA ,DB	1
-599	114T4516-6		..RIB ASSY-AUX	Q,B W-BZ	1
600	114T4517-1		..RIB ASSY-AUX	B,C,A Y-BF	1
-600A	114T4517-9		..RIB ASSY-AUX (OPT ITEM 600B)	AC,BL ,BM	1
-600B	114T4517-19		..RIB ASSY-AUX (OPT ITEM 600A)	AC,BL ,BM	1
-601	114T4517-5		..RIB ASSY-AUX	D,B G-BK	1
-602	114T4517-2		..RIB ASSY-AUX	N,P,B N-BV	1
-602A	114T4517-10		..RIB ASSY-AUX (OPT ITEM 602B)	AD,DA ,DB	1
-602B	114T4517-20		..RIB ASSY-AUX (OPT ITEM 602A)	AD,DA ,DB	1
-603	114T4517-6		..RIB ASSY-AUX	Q,B W-BZ	1
604	BACB30NU3K6		DELETED		
604C	AN960PD10		DELETED		
604F	H10-3BAC		DELETED		
606	BACB30NT3K6		DELETED		
608	AN960PD10		DELETED		

57-43-51

 ILLUSTRATED PARTS LIST
 01.1 Page 1076X
 Mar 01/04

FIG. & ITEM	PART NO.	AIRLINE PART NUMBER	NOMENCLATURE 1234567	EFF CODE	QTY PER ASSY
03-					
609	BACW10P43AL		DELETED		
610	H10-3BAC		DELETED		
612	BACB30NW6K		DELETED		
614	BACB30MY6K		DELETED		
616	HL79-6		DELETED		
618	BACR15FT5AD		DELETED		
620	BACS40R09C19F		DELETED		
622	BACS40R09C14F		DELETED		
624	012T2400-45		...BUSHING	B-D, N-Q,A C,AD, AY-DB	2
626	HL441N5-3		...BOLT- (V60516) (SPEC BACB30FN5A3N) (OPT HL441N5-3 (V73197)) (OPT HL441N5-3 (V92215)) (OPT HL441N5-3 (V97928)) (OPT HL441N5-3 (V08524)) (OPT HL19-5A3N (V06725)) (OPT L839-5A3N (V06725)) (OPT HL441N5-3 (V56878)) (OPT ITEM 626A)	B-D, N-Q,A C,AD, AY-DB	4

57-43-51

FIG. & ITEM	PART NO.	AIRLINE PART NUMBER	NOMENCLATURE 1234567	EFF CODE	QTY PER ASSY
03- -626A	HL441UC5-3		...BOLT- (V97928) (SPEC BACB30FN5A3) (OPT HL441UC5-3 (V73197)) (OPT HL441UC5-3 (V92215)) (OPT HL41PY5-3 (V80539)) (OPT HL441N5-3 (V80539)) (OPT HL441UC5-3 (V80539)) (OPT 67068-5A3 (V56878)) (OPT HL441UC5-3 (V08524)) (OPT HL19-5A3 (V06725)) (OPT L839-5A3 (V06725)) (OPT HL441UC5-3 (V56878)) (OPT ITEM 626)	B-D, N-Q,A C,AD, AY-DB	4
628	AN960PD8L		...WASHER	B-D, N-Q,A C,AD, AY-DB	4

57-43-51

ILLUSTRATED PARTS LIST
 01.1 Page 1076Z
 Mar 01/04

FIG. & ITEM	PART NO.	AIRLINE PART NUMBER	NOMENCLATURE 1234567	EFF CODE	QTY PER ASSY
03-630	BACN10JC08CD		...NUT- (OPT ITEM 630A)	B-D, N-Q,A C,AD, AY-DB	4
-630A	H10-08BAC		...NUT- (V15653) (SPEC BACN10JC08) (OPT NS202101-82 (V80539)) (OPT RMLH9075-82W (V72962)) (OPT T6S832J (V71087)) (OPT VN303A82 (V92215)) (OPT 96-82 (V80539)) (OPT BRH10A08 (V52828)) (OPT ITEM 630)	B-D, N-Q,A C,AD, AY-DB	4
632	114T4149-1		...PLATE-RUB	B-D, N-Q,A C,AD, AY-DB	1
634	114T4149-2		...PLATE-RUB	B-D, N-Q,A C,AD, AY-DB	1
636	BACR15BA3AD		DELETED		
638	NS103225-02		DELETED		
640	114T4516-3		...RIB- (USED ON ITEM 596)	B,C,A Y-BF	1
-640A	114T4516-11		...RIB- (USED ON ITEM 596A)	AC,BL ,BM	1

57-43-51

FIG. & ITEM	PART NO.	AIRLINE PART NUMBER	NOMENCLATURE 1234567	EFF CODE	QTY PER ASSY
03-					
-640B	114T4516-21		...RIB- (USED ON ITEM 596B)	AC,BL ,BM	1
-641	114T4516-7		...RIB- (USED ON ITEM 597)	D,B G-BK	1
-642	114T4516-4		...RIB- (USED ON ITEM 598)	N,P,B N-BV	1
-642A	114T4516-12		...RIB- (USED ON ITEM 598A)	AD,DA ,DB	1
-642B	114T4516-22		...RIB- (USED ON ITEM 598B)	AD,DA ,DB	1
-643	114T4516-8		...RIB- (USED ON ITEM 599)	Q,B W-BZ	1
644	114T4517-3		...RIB- (USED ON ITEM 600)	B,C,A Y-BF	1
-644A	114T4517-11		...RIB- (USED ON ITEM 600A)	AC,BL ,BM	1
-644B	114T4517-21		...RIB- (USED ON ITEM 600B)	AC,BL ,BM	1
-645	114T4517-7		...RIB- (USED ON ITEM 601)	D,B G-BK	1
-646	114T4517-4		...RIB- (USED ON ITEM 602)	N,P,B N-BV	1
-646A	114T4517-12		...RIB- (USED ON ITEM 602A)	AD,DA ,DB	1
-646B	114T4517-22		...RIB- (USED ON ITEM 602B)	AD,DA ,DB	1
-647	114T4517-8		...RIB- (USED ON ITEM 603)	Q,B W-BZ	1
-648	114T4703-5		..RIB ASSY-AIR LOAD	B-D,A C,A Y-BM	1
-650	114T4703-6		..RIB ASSY-AIR LOAD	N-Q,A D,B N-DB	1

57-43-51

 ILLUSTRATED PARTS LIST
 01.1 Page 1078
 Mar 01/04

FIG. & ITEM	PART NO.	AIRLINE PART NUMBER	NOMENCLATURE 1234567	EFF CODE	QTY PER ASSY
03-652	BACR15BA3AD		...RIVET- (SIZE DETERMINE ON INST)	B-D, N-Q,A C,AD, AY-DB	12
654	BRFM20A3		...NUTPLATE- (V52828) (SPEC BACN10JN3) (OPT MF1000-3BAC (V15653)) (OPT NS103218-02 (V80539)) (OPT RMF9201M3 (V72962)) (OPT VN252A02 (V92215)) (OPT MF1000-3BAC (V15653)) (OPT MF53049-3 (V15653))	B-D, N-Q,A C,AD, AY-DB	4
656	NS103225-02		...NUTPLATE- (V80539) (SPEC BACN10KH3) (OPT RMF9209M3 (V72962)) (OPT RMF9209M3 (V72962))	B-D, N-Q,A C,AD, AY-DB	2
-658	114T4905-5		..RIB ASSY-END	B-D,A C,A Y-BM	1
-660	114T4905-6		..RIB ASSY-END	N-Q,A D,B N-DB	1

57-43-51

FIG. & ITEM	PART NO.	AIRLINE PART NUMBER	NOMENCLATURE 1234567	EFF CODE	QTY PER ASSY
03-662	BACR15BA3AD		...RIVET- (SIZE DETERMINE ON INST)	B-D, N-Q,A C,AD, AY-DB	26
664	BACN10JQ32		...NUTPLATE	B-D, N-Q,A C,AD, AY-DB	1
666	BRFM22A3-3		...NUTPLATE- (V52828) (SPEC BACN10JQ33) (OPT MF19058-3-3BAC (V15653))	B-D, N-Q,A C,AD, AY-DB	1
668	BRFM22A4-3		...NUTPLATE- (V52828) (SPEC BACN10JQ34) (OPT MF19058-3-4BAC (V15653))	B-D, N-Q,A C,AD, AY-DB	2
670	BRFM20A3		...NUTPLATE- (V52828) (SPEC BACN10JN3) (OPT MF1000-3BAC (V15653)) (OPT NS103218-02 (V80539)) (OPT RMF9201M3 (V72962)) (OPT VN252A02 (V92215)) (OPT MF1000-3BAC (V15653)) (OPT MF53049-3 (V15653))	B-D, N-Q,A C,AD, AY-DB	4
672	NS103225-02		...NUTPLATE- (V80539) (SPEC BACN10KH3) (OPT RMF9209M3 (V72962)) (OPT RMF9209M3 (V72962))	B-D, N-Q,A C,AD, AY-DB	5

57-43-51

 ILLUSTRATED PARTS LIST
 01.1 Page 1078B
 Mar 01/04

FIG. & ITEM	PART NO.	AIRLINE PART NUMBER	NOMENCLATURE 1234567	EFF CODE	QTY PER ASSY
03- -674	114T4906-5		..RIB ASSY-END	B-D,A C,A Y-BM	1
-676	114T4906-6		..RIB ASSY-END	N-Q,A D,B N-DB	1
678	BACR15BA3AD		...RIVET- (SIZE DETERMINE ON INST)	B-D, N-Q,A C,AD, AY-DB	28
680	BACN10JQ32		...NUTPLATE	B-D, N-Q,A C,AD, AY-DB	1
682	BRFM22A3-3		...NUTPLATE- (V52828) (SPEC BACN10JQ33) (OPT MF19058-3-3BAC (V15653))	B-D, N-Q,A C,AD, AY-DB	1
684	BRFM22A4-3		...NUTPLATE- (V52828) (SPEC BACN10JQ34) (OPT MF19058-3-4BAC (V15653))	B-D, N-Q,A C,AD, AY-DB	2
686	BRFM20A3		...NUTPLATE- (V52828) (SPEC BACN10JN3) (OPT MF1000-3BAC (V15653)) (OPT NS103218-02 (V80539)) (OPT RMF9201M3 (V72962)) (OPT VN252A02 (V92215)) (OPT MF1000-3BAC (V15653)) (OPT MF53049-3 (V15653))	B-D, N-Q,A C,AD, AY-DB	5

57-43-51

FIG. & ITEM	PART NO.	AIRLINE PART NUMBER	NOMENCLATURE 1234567	EFF CODE	QTY PER ASSY
03-688	NS103225-02		...NUTPLATE- (V80539) (SPEC BACN10KH3) (OPT RMF9209M3 (V72962)) (OPT RMF9209M3 (V72962))	B-D, N-Q,A C,AD, AY-DB	5
690	NAS1195DD3KH		...SHIM	B-D, N-Q,A C,AD, AY-DB	4
-692	114T4123-71		..BEAM ASSY-NOSE (USED ON ITEM 6)	B,C,A C,A Y-BF, BL,BM	1
-693	114T4123-81		..BEAM ASSY-NOSE (USED ON ITEMS 7, 7A)	B-D,A C,A Y-BM	1
-694	114T4123-72		..BEAM ASSY-NOSE (USED ON ITEM 8)	N,P,A D,B N-BV, DA,DB	1
-695	114T4123-82		..BEAM ASSY-NOSE (USED ON ITEMS 9, 9A)	N-Q,A D,B N-DB	1
696	BACB30NT3K7		...BOLT	B-D, N-Q,A C,AD, BN-DB	48
698	AN960PD10L		...WASHER	B-D, N-Q,A C,AD, AY-DB	48

57-43-51

 ILLUSTRATED PARTS LIST
 01.1 Page 1078D
 Mar 01/04

FIG. & ITEM	PART NO.	AIRLINE PART NUMBER	NOMENCLATURE 1234567	EFF CODE	QTY PER ASSY
03-700	114T4119-3		...DOOR	B-D, N-Q,A C,AD, AY-DB	3
702	114T4119-4		...DOUBLER	B-D, N-Q,A C,AD, AY-DB	3
704	BACR15BA3AD		...RIVET- (SIZE DETERMINE ON INST)	B-D, N-Q,A C,AD, AY-DB	96
706	BRFM20A3		...NUTPLATE- (V52828) (SPEC BACN10JN3) (OPT MF1000-3BAC (V15653)) (OPT NS103218-02 (V80539)) (OPT RMF9201M3 (V72962)) (OPT VN252A02 (V92215)) (OPT MF1000-3BAC (V15653)) (OPT MF53049-3 (V15653))	B-D, N-Q,A C,AD, AY-DB	9
708	BRFM22A3-3		...NUTPLATE- (V52828) (SPEC BACN10JQ33) (OPT MF19058-3-3BAC (V15653))	B-D, N-Q,A C,AD, AY-DB	39

57-43-51

FIG. & ITEM	PART NO.	AIRLINE PART NUMBER	NOMENCLATURE 1234567	EFF CODE	QTY PER ASSY
03- -710	114T4200-25		..SEAL INSTL	B-D, A C, A Y-BM	1
-712	114T4200-26		..SEAL INSTL	N-Q, A D, B N-DB	1
714	BACB30NT3K4		...BOLT	B-D, A N-Q, A C, AD, AY-DB	14
716	AN960PD10		...WASHER	B-D, A N-Q, A C, AD, AY-DB	2
718 718A	AN960DD10L AN960PD10L		DELETED ...WASHER	B-D, A N-Q, A C, AD, AY-DB	16
720	BACW10P43AL		...WASHER	B-D, A N-Q, A C, AD, AY-DB	7
722	H10-3BAC		...NUT- (V15653) (SPEC BACN10JC3) (OPT NS202101-02 (V80539)) (OPT RMLH9075-3W (V72962)) (OPT T6S1032J (V71087)) (OPT VN303A02 (V92215)) (OPT 96-02 (V80539)) (OPT BRH10A3 (V52828))	B-D, A N-Q, A C, AD, AY-DB	10
724	114T4221-7		...FITTING-ATTACH	B-D, A C, A Y-BM	1
-726	114T4221-8		...FITTING-ATTACH	N-Q, A D, B N-DB	1

57-43-51

 ILLUSTRATED PARTS LIST
 01.1 Page 1078F
 Mar 01/04

FIG. & ITEM	PART NO.	AIRLINE PART NUMBER	NOMENCLATURE 1234567	EFF CODE	QTY PER ASSY
03-728	114T4223-29		...SEAL-BLADE	B-D,A C,A Y-BM	1
-730	114T4223-30		...SEAL-BLADE	N-Q,A D,B N-DB	1
732	114T4222-23		...RETAINER	B-D,A C,A Y-BM	1
-734	1114T4222-24		...RETAINER	N-Q,A D,B N-DB	1
736	114T4221-19		...FITTING-ATTACH	B-D,A C,A Y-BM	1
-738	114T4221-20		...FITTING-ATTACH	N-Q,A D,B N-DB	1
740	114T4223-27		...SEAL-BLADE	B-D,A C,A Y-BM	1
-742	114T4223-28		...SEAL-BLADE	N-Q,A D,B N-DB	1
744	114T4223-16		DELETED		
744A	114T4222-16		...RETAINER	B-D, N-Q,A C,AD, AY-DB	1

57-43-51

FIG. & ITEM	PART NO.	AIRLINE PART NUMBER	NOMENCLATURE 1234567	EFF CODE	QTY PER ASSY
03-746	114T4240-73		...SEAL	B-D, A C, A Y-BM	1
-748	114T4240-74		...SEAL	N-Q, A D, B N-DB	1
750	114T4240-75		...SEAL	B-D, A C, A Y-BM	1
-752	114T4240-76		...SEAL	N-Q, A D, B N-DB	1
-754	114T4200-11		..SEAL INSTL	B-D, A C, A Y-BM	1
-756	114T4200-12		..SEAL INSTL	N-Q, A D, B N-DB	1
758	BACB30NT3K4		...BOLT	B-D, A N-Q, A C, AD, AY-DB	14
760	AN960PD10		...WASHER	B-D, A N-Q, A C, AD, AY-DB	1
762	AN960PD10L		...WASHER	B-D, A N-Q, A C, AD, AY-DB	18
764	BACW10P43AL		...WASHER	B-D, A N-Q, A C, AD, AY-DB	7

57-43-51

FIG. & ITEM	PART NO.	AIRLINE PART NUMBER	NOMENCLATURE 1234567	EFF CODE	QTY PER ASSY
03-766	H10-3BAC		...NUT- (V15653) (SPEC BACN10JC3) (OPT NS202101-02 (V80539)) (OPT RMLH9075-3W (V72962)) (OPT T6S1032J (V71087)) (OPT VN303A02 (V92215)) (OPT 96-02 (V80539)) (OPT BRH10A3 (V52828))	B-D, N-Q,A C,AD, AY-DB	12
768	114T4221-11		...FITTING-ATTACH	B-D,A C,A Y-BM	1
-770	114T4221-12		...FITTING-ATTACH	N-Q,A D,B N-DB	1
772	114T4223-25		...SEAL-BLADE	B-D,A C,A Y-BM	1
-774	114T4223-26		...SEAL-BLADE	N-Q,A D,B N-DB	1
776	114T4222-25		...RETAINER	B-D,A C,A Y-BM	1
-778	114T4222-26		...RETAINER	N-Q,A D,B N-DB	1
780	114T4221-21		...FITTING-ATTACH	B-D,A C,A Y-BM	1
-782	114T4221-22		...FITTING-ATTACH	N-Q,A D,B N-DB	1

57-43-51

FIG. & ITEM	PART NO.	AIRLINE PART NUMBER	NOMENCLATURE 1234567	EFF CODE	QTY PER ASSY
03-784	114T4223-37		...SEAL-BLADE	B-D,A C,A Y-BM	1
-786	114T4223-38		...SEAL-BLADE	N-Q,A D,B N-DB	1
788	114T4222-17		...RETAINER	B-D, N-Q,A C,AD, AY-DB	1
790	114T4240-49		...SEAL	B-D,A C,A Y-BM	1
-792	114T4240-50		...SEAL	N-Q,A D,B N-DB	1
794	114T4240-51		...SEAL	B-D,A C,A Y-BM	1
-796	114T4240-52		...SEAL	N-Q,A D,B N-DB	1
798	BACR15BB3AD		..RIVET- (SIZE DETERMINE ON INST)	B-D, N-Q,A C,AD, AY-DB	4
800	MS27253-1		..PLATE	B-D, N-Q,A C,AD, AY-DB	1
802	BACR15BB4AD		..RIVET- (SIZE DETERMINE ON INST)	B-D, N-Q,A C,AD, AY-DB	1
804	BACR15BB4A		..RIVET- (SIZE DETERMINE ON INST)	B-D, N-Q,A C,AD, AY-DB	3
806	BACR15CE6KE		..RIVET- (SIZE DETERMINE ON INST)	B,C, N-Q,A C,AD, AY-DB	122

57-43-51

 ILLUSTRATED PARTS LIST
 01.1 Page 1078J
 Mar 01/04

FIG. & ITEM	PART NO.	AIRLINE PART NUMBER	NOMENCLATURE 1234567	EFF CODE	QTY PER ASSY
03- -806A	BACR15CE6KE		..RIVET- (LIMITED) (SIZE DETERMINE ON INST) (PRE SB 767-53-0042)	D,B G-BK	122
-806G	BACR15CE6KE		..RIVET- (LIMITED) (SIZE DETERMINE ON INST) (POST SB 767-53-0042)	D,B G-BK	110
-806M	BACB30FK6A5		..BOLT- (LIMITED) (USED WITH ITEM 806G AND ITEM 807) (POST SB 767-53-0042)	D,B G-BK	12
-807	HL84-6		..COLLAR- (V5M902) (SPEC BACC30R6) (OPT HL84-6 (V73197)) (OPT HL84-6 (V92215)) (OPT 66013-6 (V56878)) (OPT HL84-6 (V56878)) (LIMITED) (USED WITH ITEM 806G AND ITEM 806M) (POST SB 767-53-0042)	D,B G-BK	12
808	BACR15CE5KE		..RIVET- (SIZE DETERMINE ON INST)	B-D, N-Q,A C,AD, AY-DB	16
810	BACB30NW6K		..BOLT- (SIZE DETERMINE ON INST)	B-D, N-Q,A C,AD, AY-DB	10

57-43-51

FIG. & ITEM	PART NO.	AIRLINE PART NUMBER	NOMENCLATURE 1234567	EFF CODE	QTY PER ASSY
03-812	HL79-6		..COLLAR- (V5M902) (SPEC BACC30M6) (OPT HL79-6 (V73197)) (OPT HL79-6 (V92215)) (OPT 66014-6 (V56878)) (OPT HL79-6 (V56878))	B-D, N-Q,A C,AD, AY-DB	10
814	114T4151-9		..PANEL-LWR CLOSURE	B-D,A C,A Y-BM	1
-816	114T4151-10		..PANEL-LWR CLOSURE	N-Q,A D,B N-DB	1
818	114T4151-11		..PANEL-LWR CLOSURE	B-D,A C,A Y-BM	1
-820	114T4151-12		..PANEL-LWR CLOSURE	N-Q,A D,B N-DB	1
			DELETED	B-D, N-Q,A C,AD, AY-DB	
960	114T4180-3		DELETED		
-960A	114T4180-13		DELETED		
-960B	114T4180-23		DELETED		
-960C	114T4180-33		DELETED		
965	ADB9V301NC		DELETED		

57-43-51

015T0165
 015T1507
 114T4103
 DASH NUMBERS LIMITED

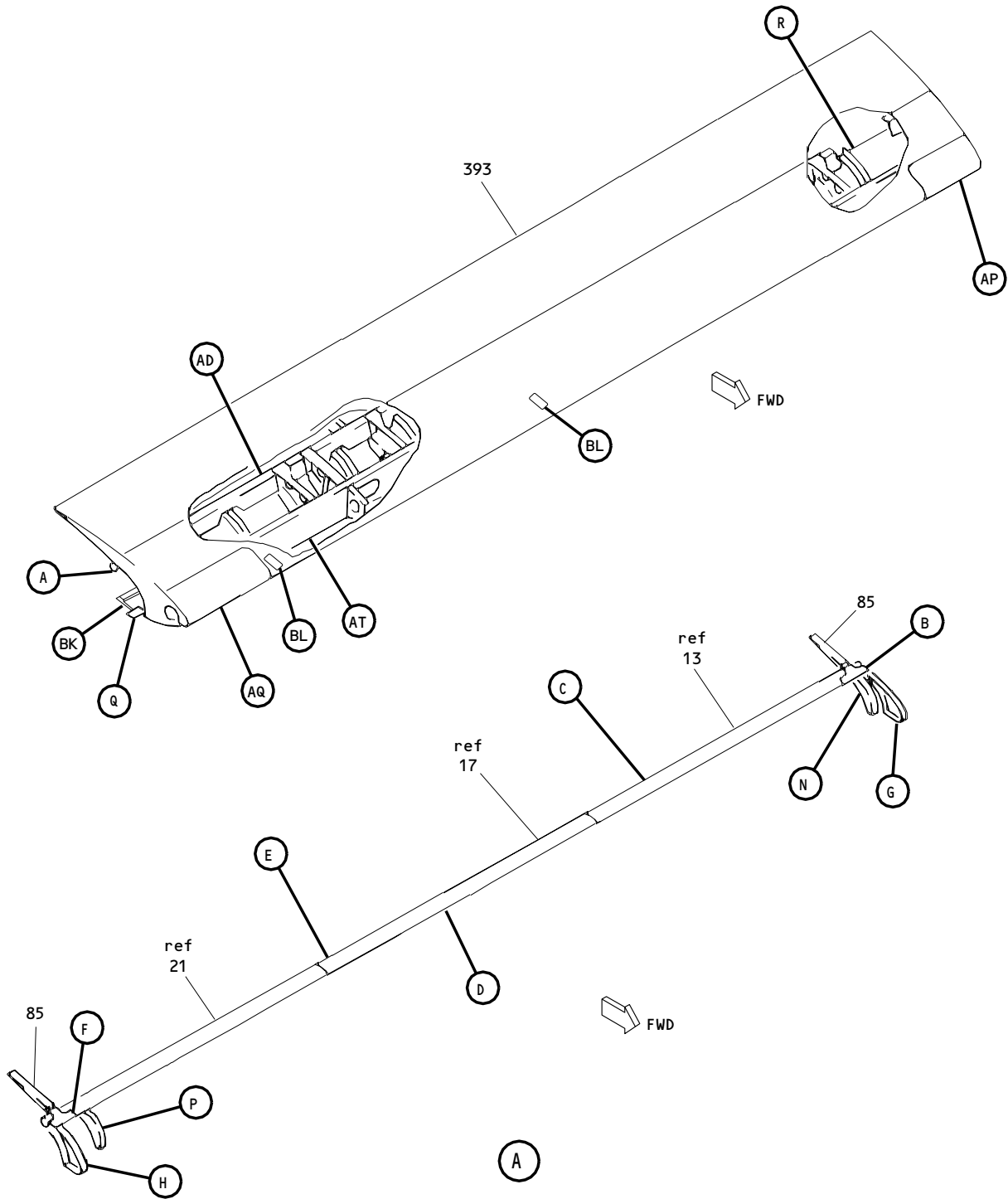
 **BOEING**
 COMPONENT
 MAINTENANCE MANUAL

FIG. & ITEM	PART NO.	AIRLINE PART NUMBER	NOMENCLATURE	EFF CODE	QTY PER ASSY
			1234567		
03-					
970	114T4180-8		DELETED		
-970A	114T4180-18		DELETED		
-970B	114T4180-28		DELETED		
-970C	114T4180-38		DELETED		

- Item Not Illustrated

57-43-51

ILLUSTRATED PARTS LIST
 01.1 Page 1078M
 Mar 01/04

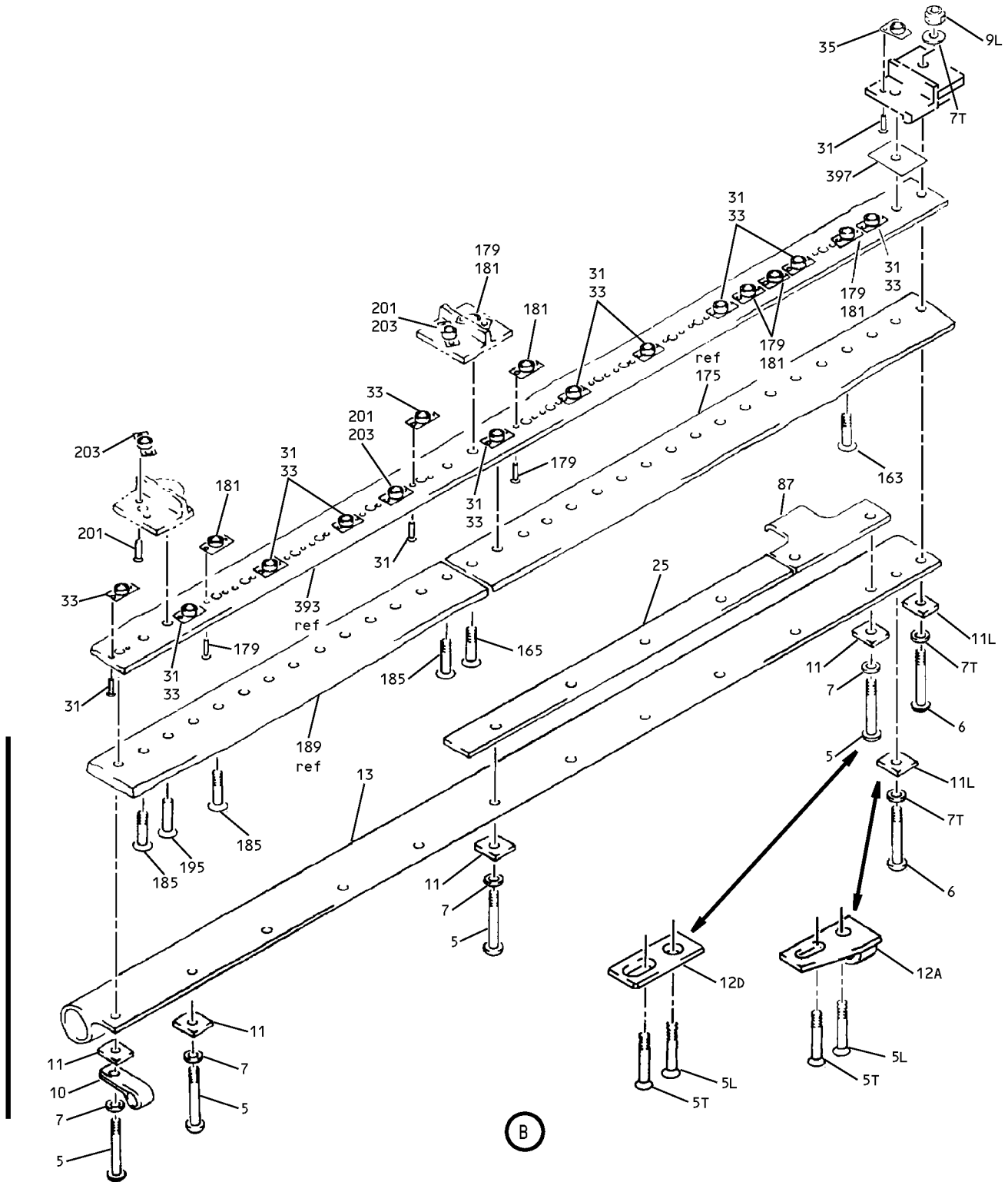


Outboard Slat No. 3 Wing Leading Edge Structure Assembly
 Figure 4 (Sheet 1)

57-43-51

ILLUSTRATED PARTS LIST
 01.1 Page 1078N
 Mar 01/04

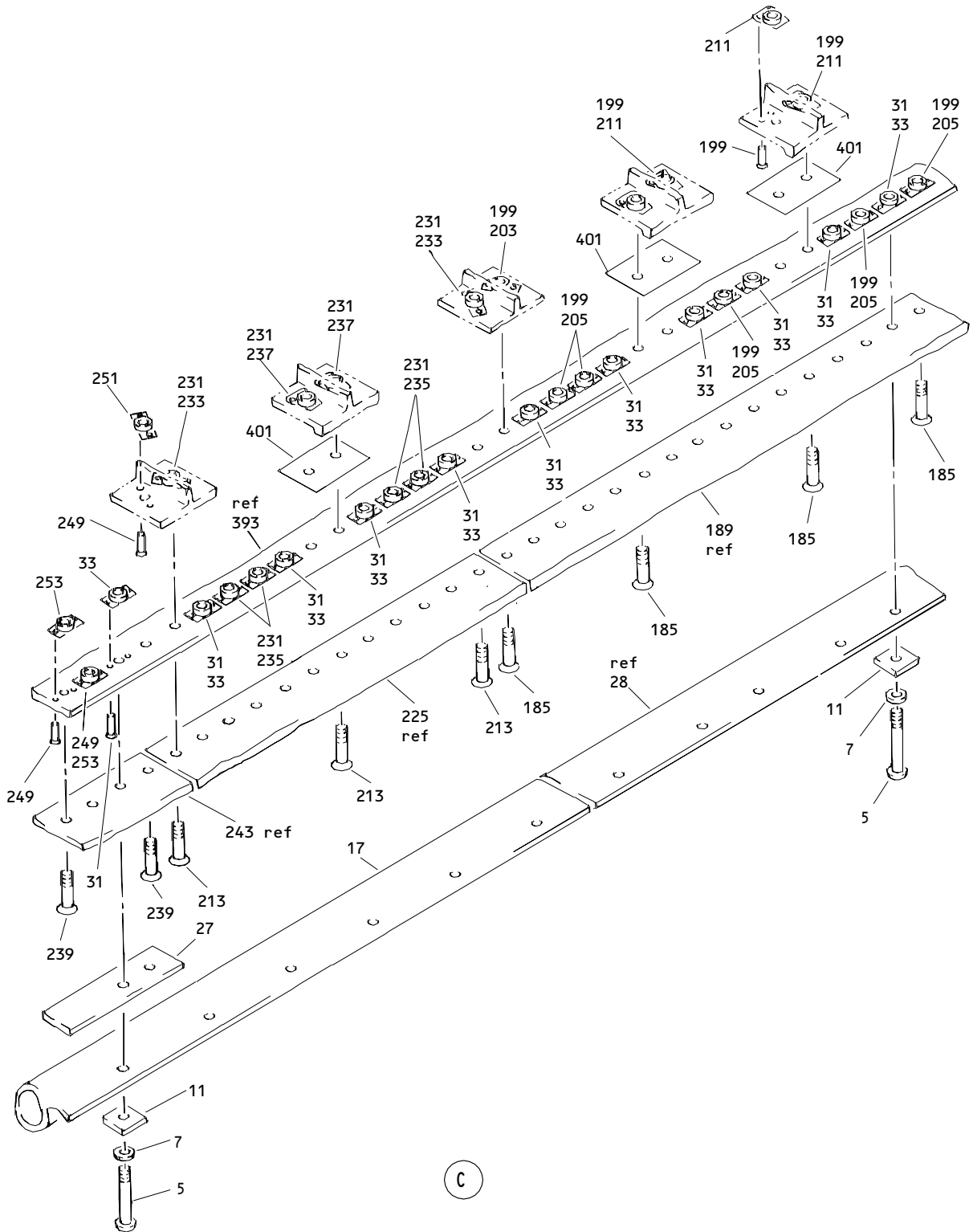
146051



Outboard Slat No. 3 Wing Leading Edge Structure Assembly
 Figure 4 (Sheet 2)

57-43-51

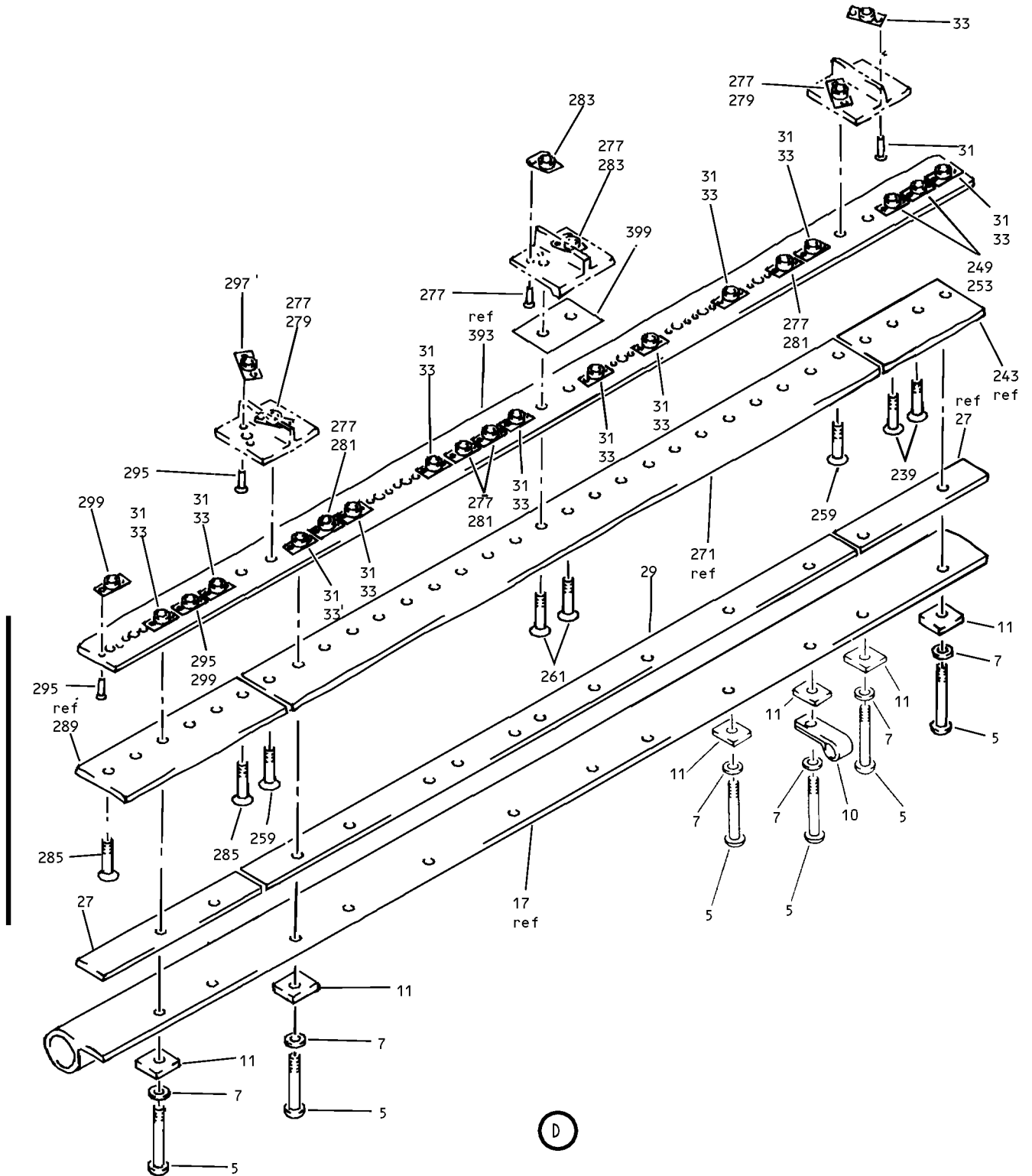
ILLUSTRATED PARTS LIST
 01.1 Page 10780
 Mar 01/04



Outboard Slat No. 3 Wing Leading Edge Structure Assembly
Figure 4 (Sheet 3)

57-43-51

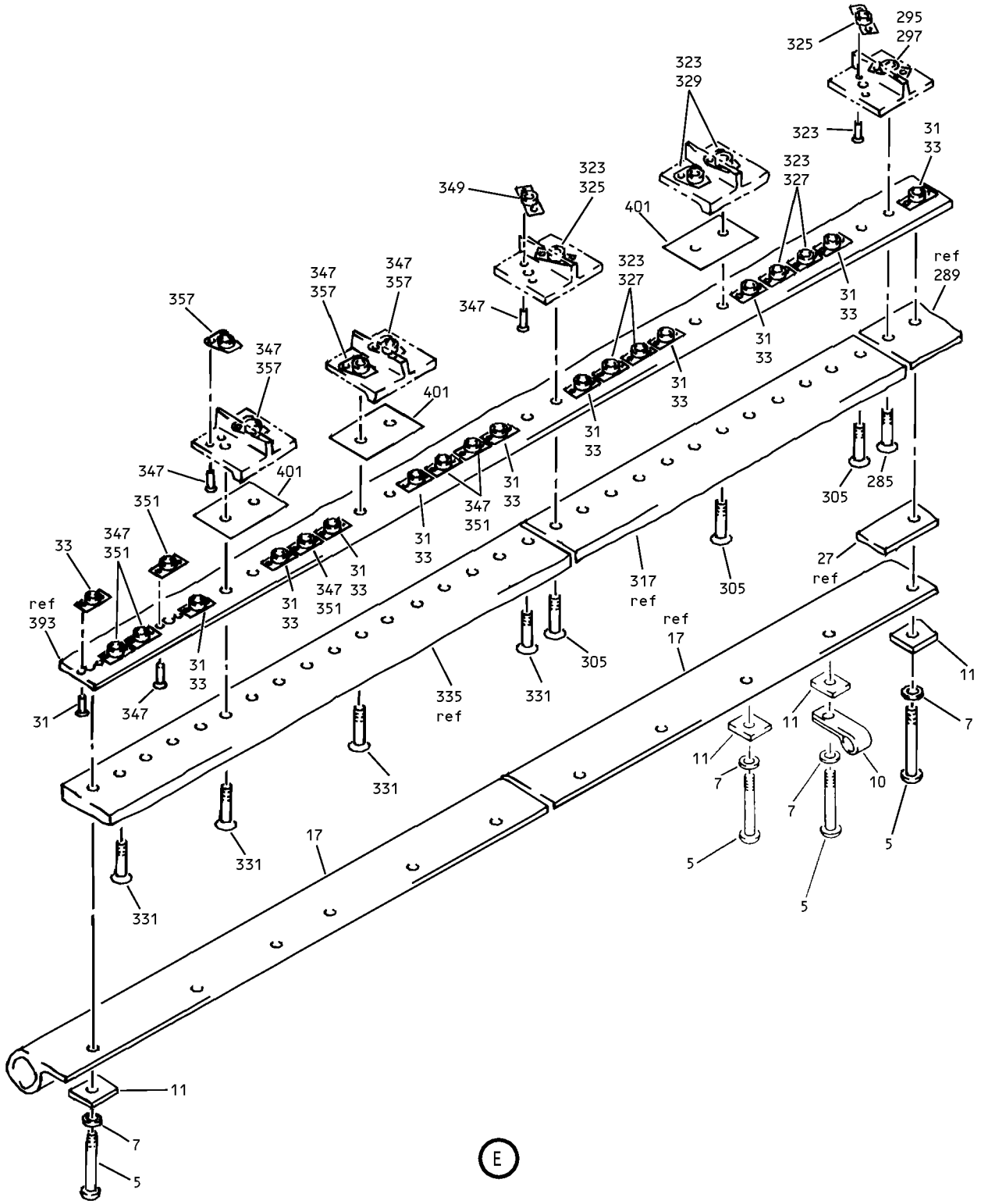
ILLUSTRATED PARTS LIST
01.1 Page 1078P
Mar 01/04



Outboard Slat No. 3 Wing Leading Edge Structure Assembly
Figure 4 (Sheet 4)

57-43-51

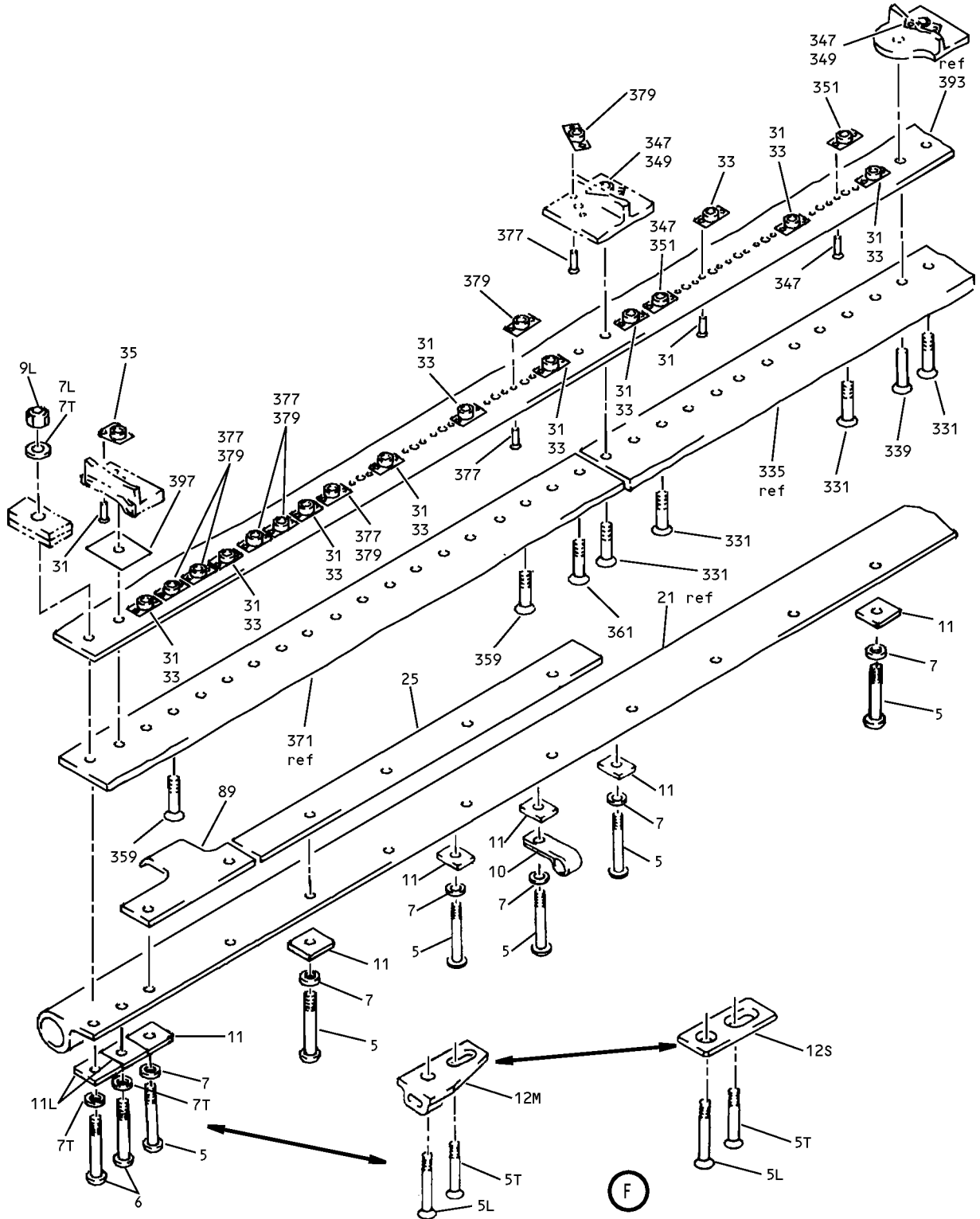
ILLUSTRATED PARTS LIST
01.1 Page 1078Q
Mar 01/04



Outboard Slat No. 3 Wing Leading Edge Structure Assembly
 Figure 4 (Sheet 5)

57-43-51

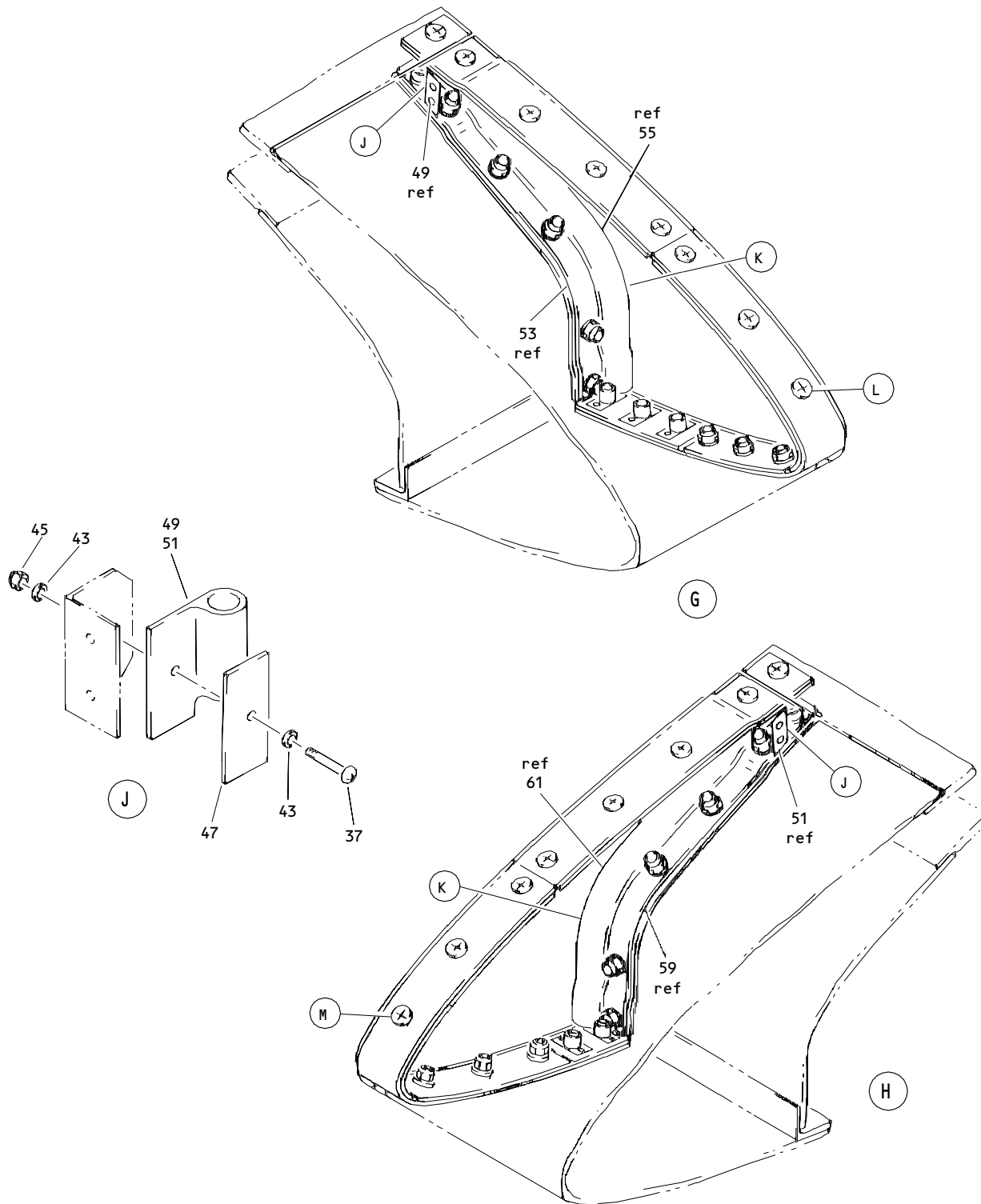
ILLUSTRATED PARTS LIST
 01.1 Page 1078R
 Mar 01/04



Outboard Slat No. 3 Wing Leading Edge Structure Assembly
Figure 4 (Sheet 6)

57-43-51

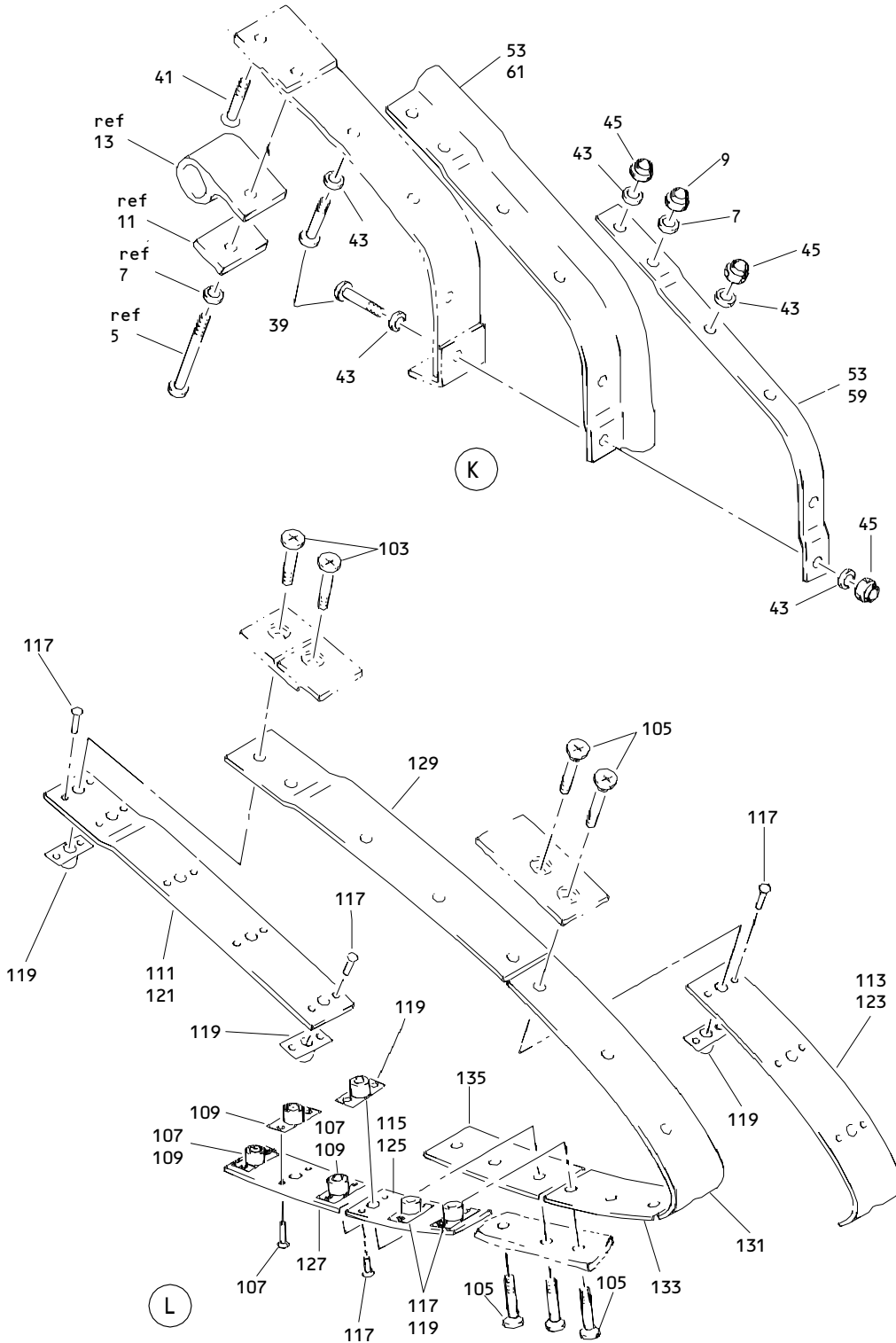
ILLUSTRATED PARTS LIST
01.1 Page 1078S
Mar 01/04



Outboard Slat No. 3 Wing Leading Edge Structure Assembly
 Figure 4 (Sheet 7)

57-43-51

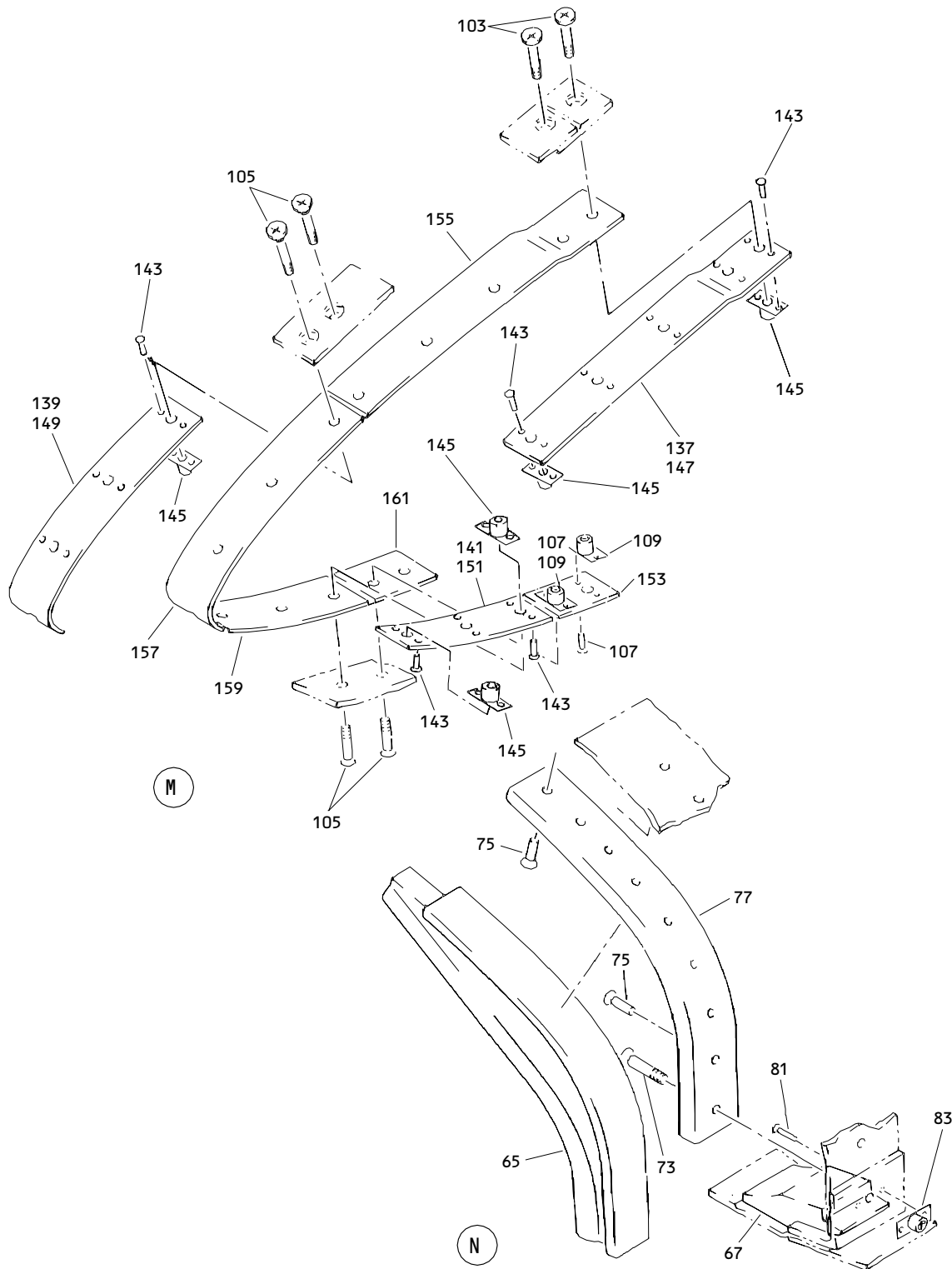
ILLUSTRATED PARTS LIST
 01.1 Page 1078T
 Mar 01/04



Outboard Slat No. 3 Wing Leading Edge Structure Assembly
 Figure 4 (Sheet 8)

57-43-51

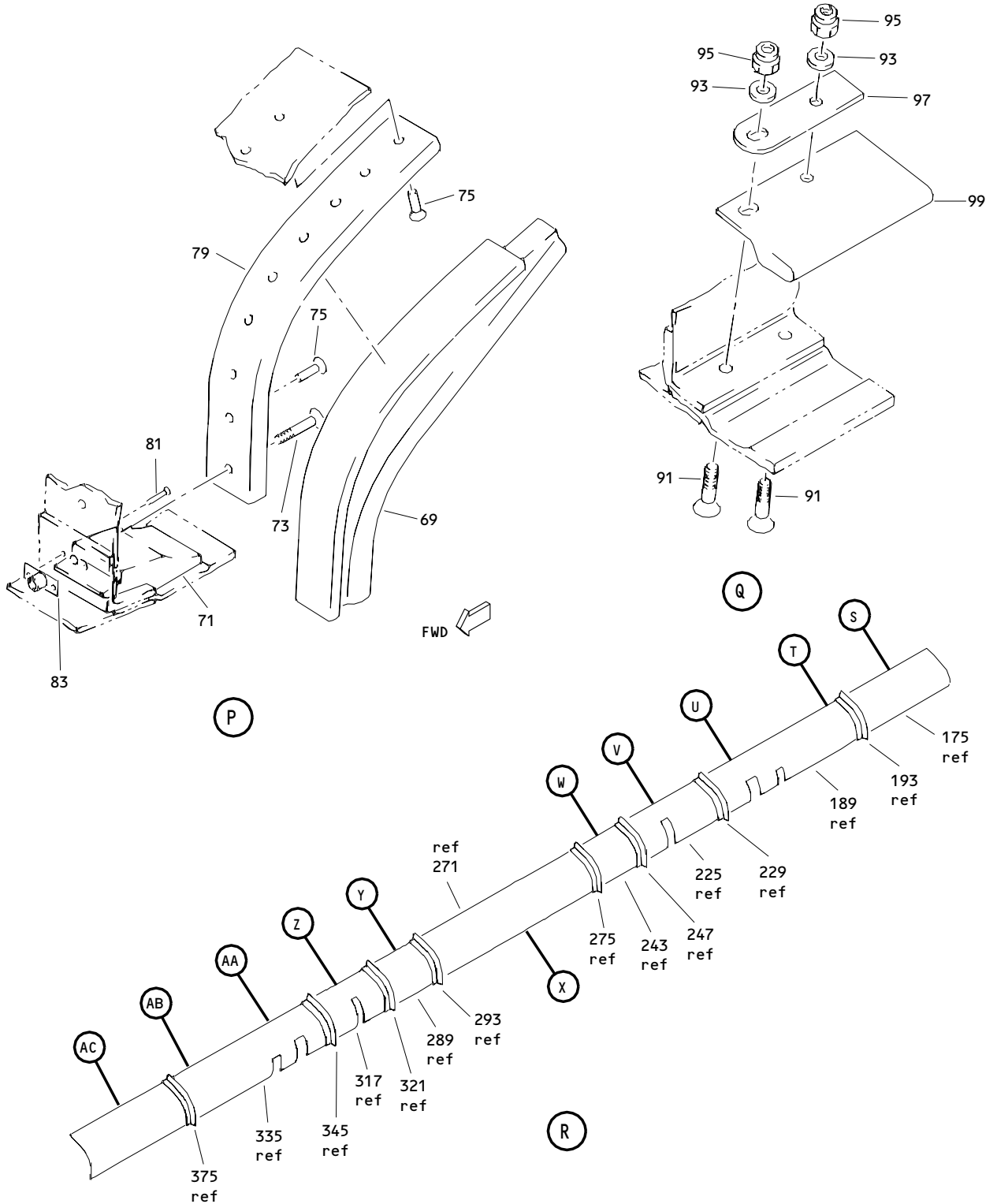
ILLUSTRATED PARTS LIST
 01.1 Page 1078U
 Mar 01/04



Outboard Slat No. 3 Wing Leading Edge Structure Assembly
 Figure 4 (Sheet 9)

57-43-51

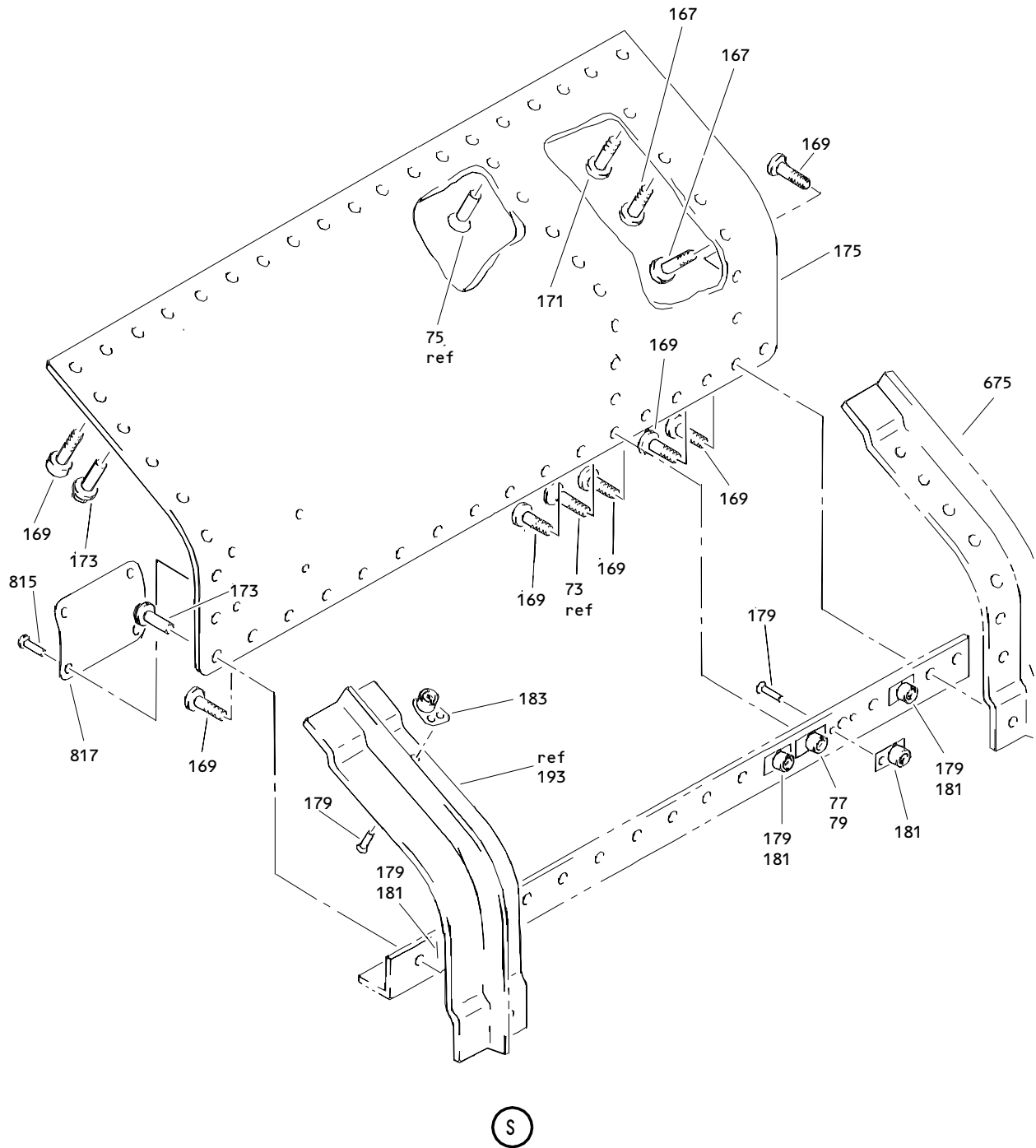
ILLUSTRATED PARTS LIST
 01.1 Page 1078V
 Mar 01/04



Outboard Slat No. 3 Wing Leading Edge Structure Assembly
 Figure 4 (Sheet 10)

57-43-51

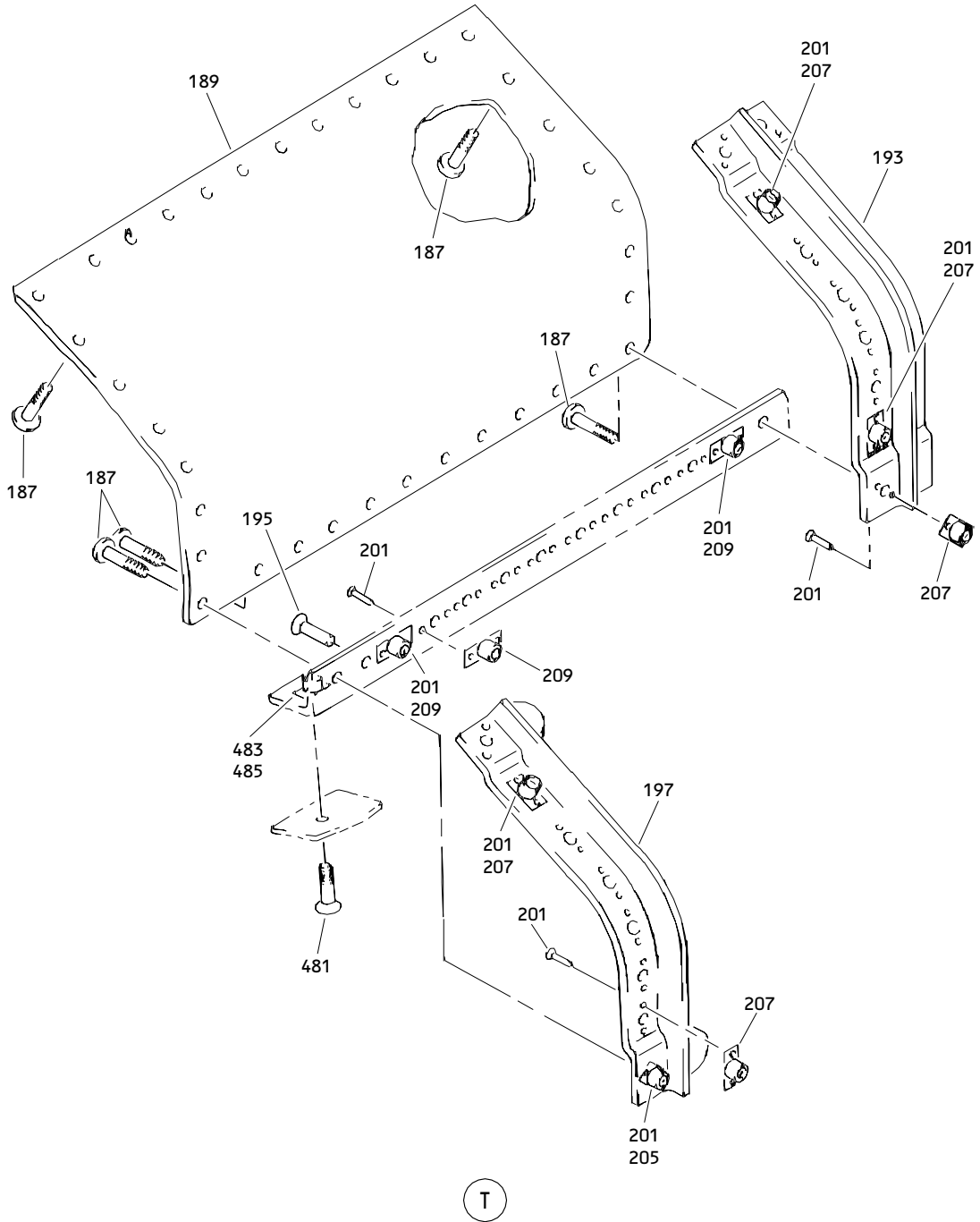
ILLUSTRATED PARTS LIST
 01.1 Page 1078W
 Mar 01/04



Outboard Slat No. 3 Wing Leading Edge Structure Assembly
 Figure 4 (Sheet 11)

57-43-51

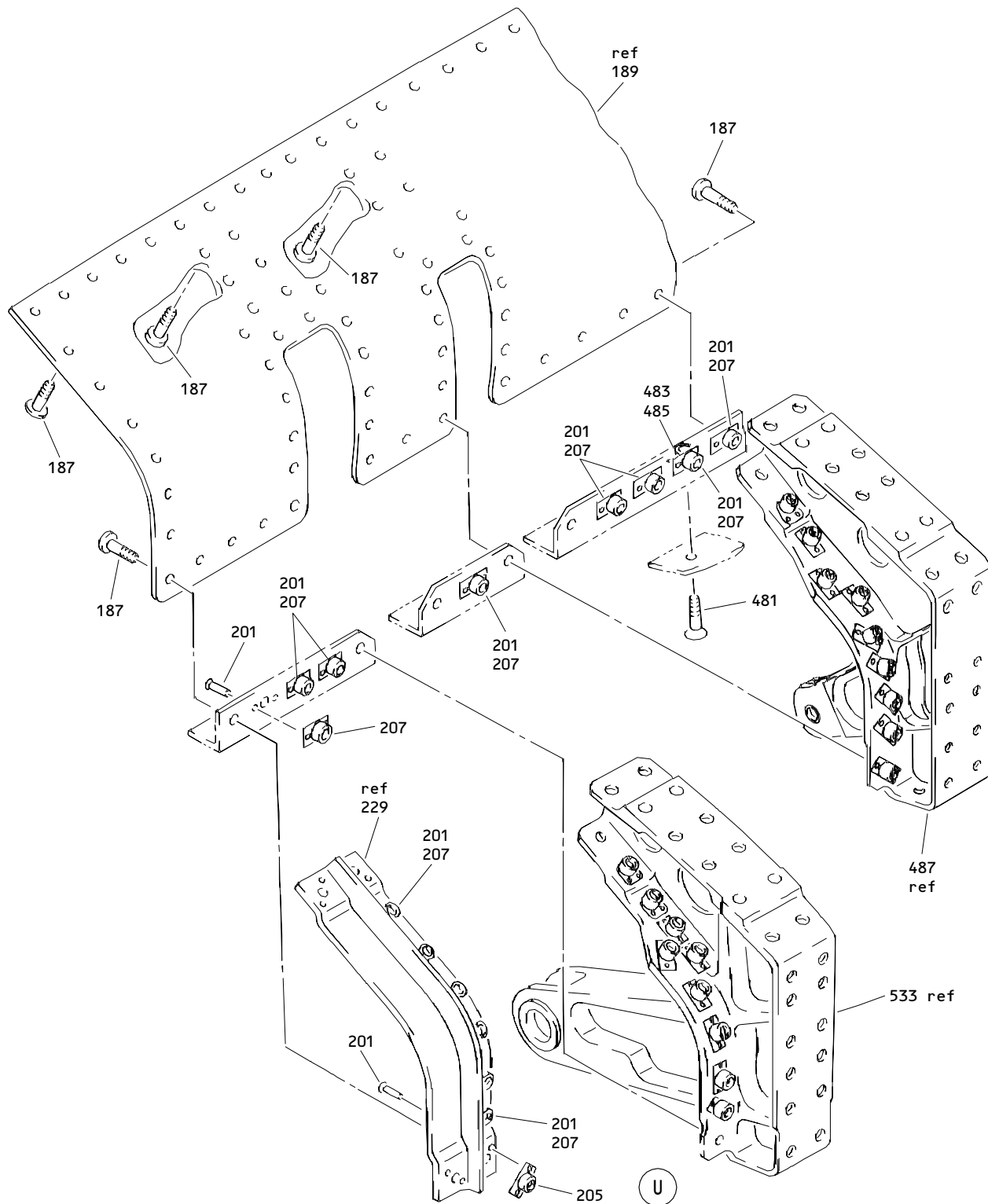
ILLUSTRATED PARTS LIST
 01.1 Page 1078X
 Mar 01/04



Outboard Slat No. 3 Wing Leading Edge Structure Assembly
Figure 4 (Sheet 12)

57-43-51

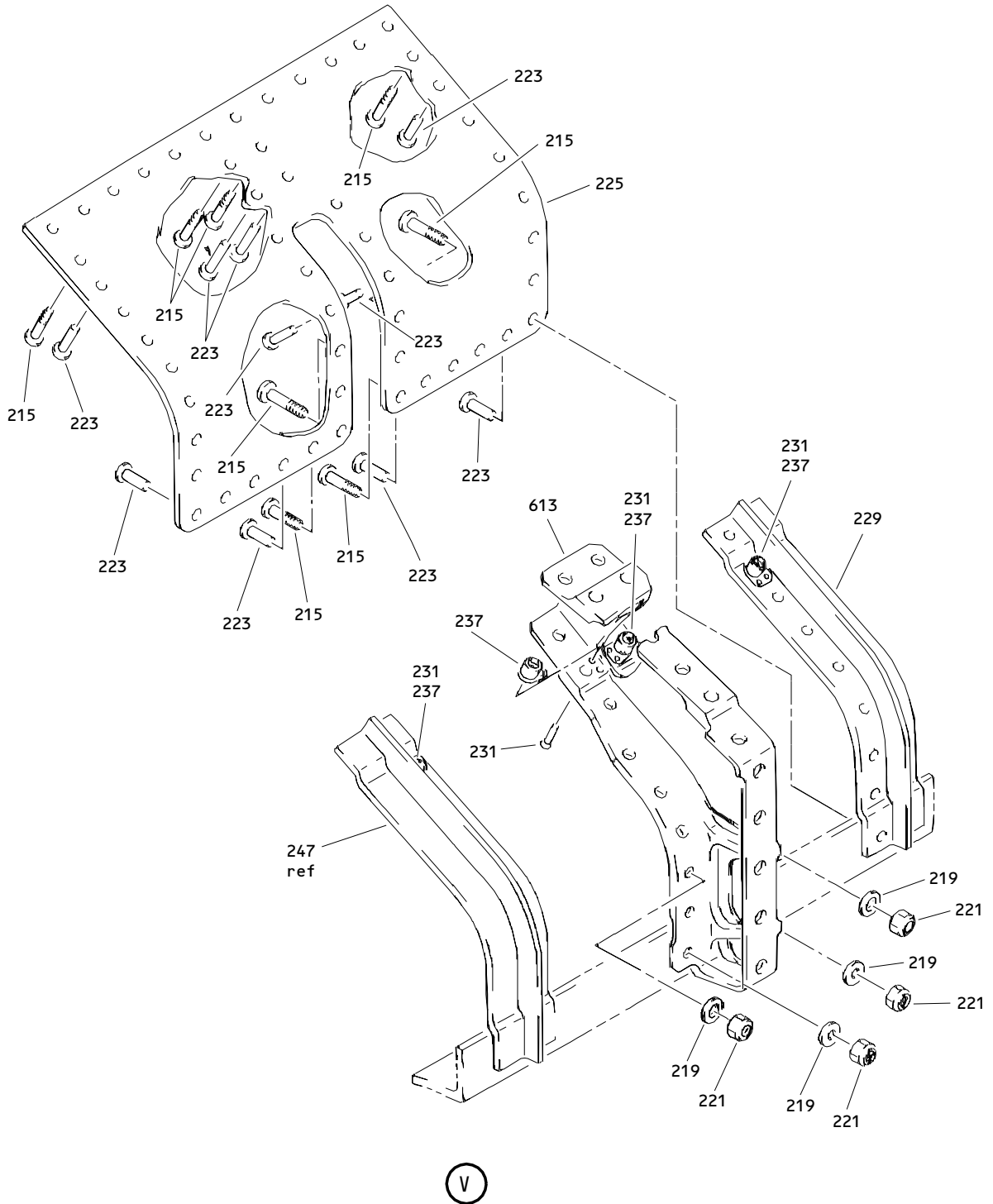
ILLUSTRATED PARTS LIST
01.1 Page 1078Y
Mar 01/04



Outboard Slat No. 3 Wing Leading Edge Structure Assembly
 Figure 4 (Sheet 13)

57-43-51

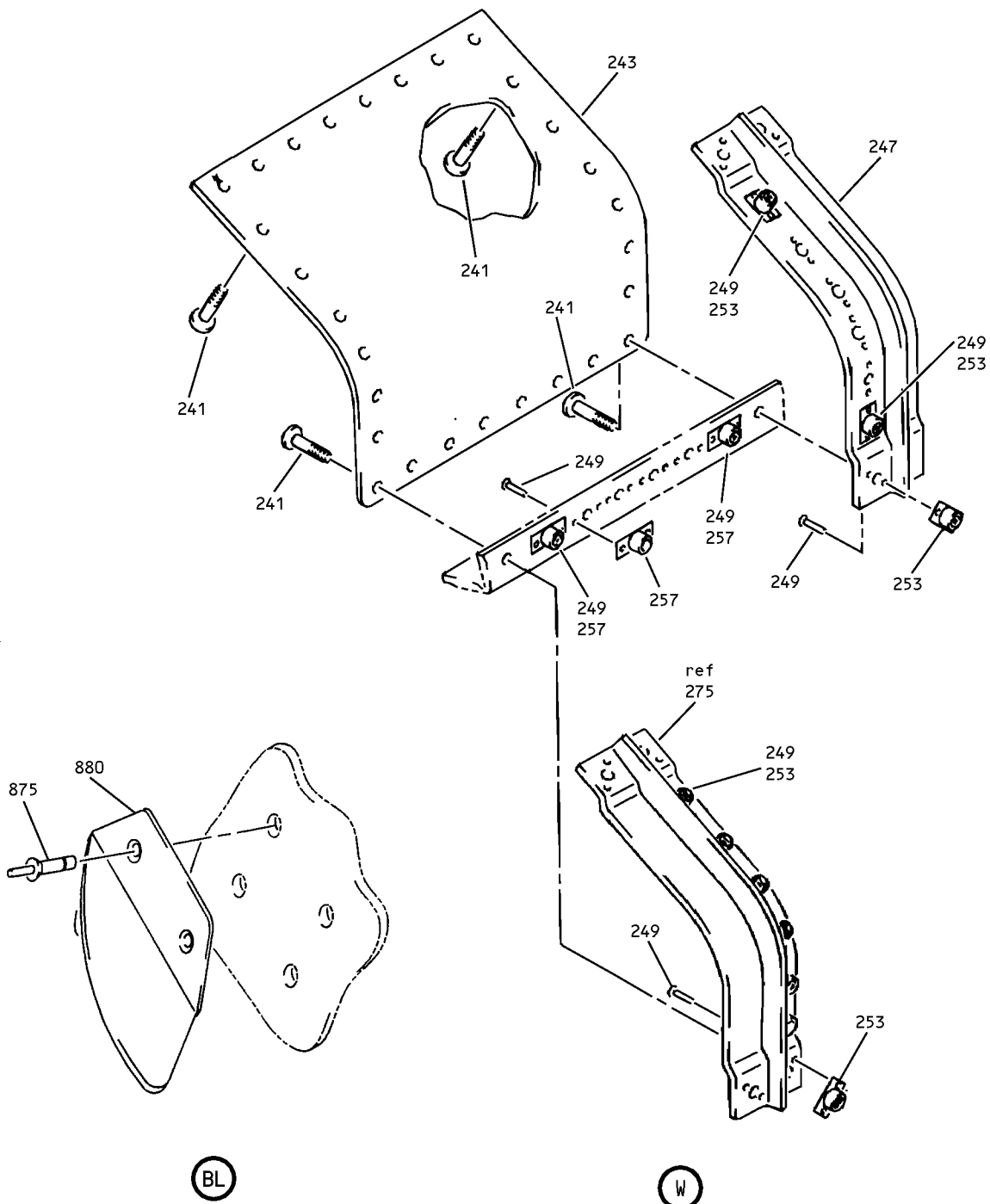
ILLUSTRATED PARTS LIST
 01.1 Page 1078Z
 Mar 01/04



Outboard Slat No. 3 Wing Leading Edge Structure Assembly
Figure 4 (Sheet 14)

57-43-51

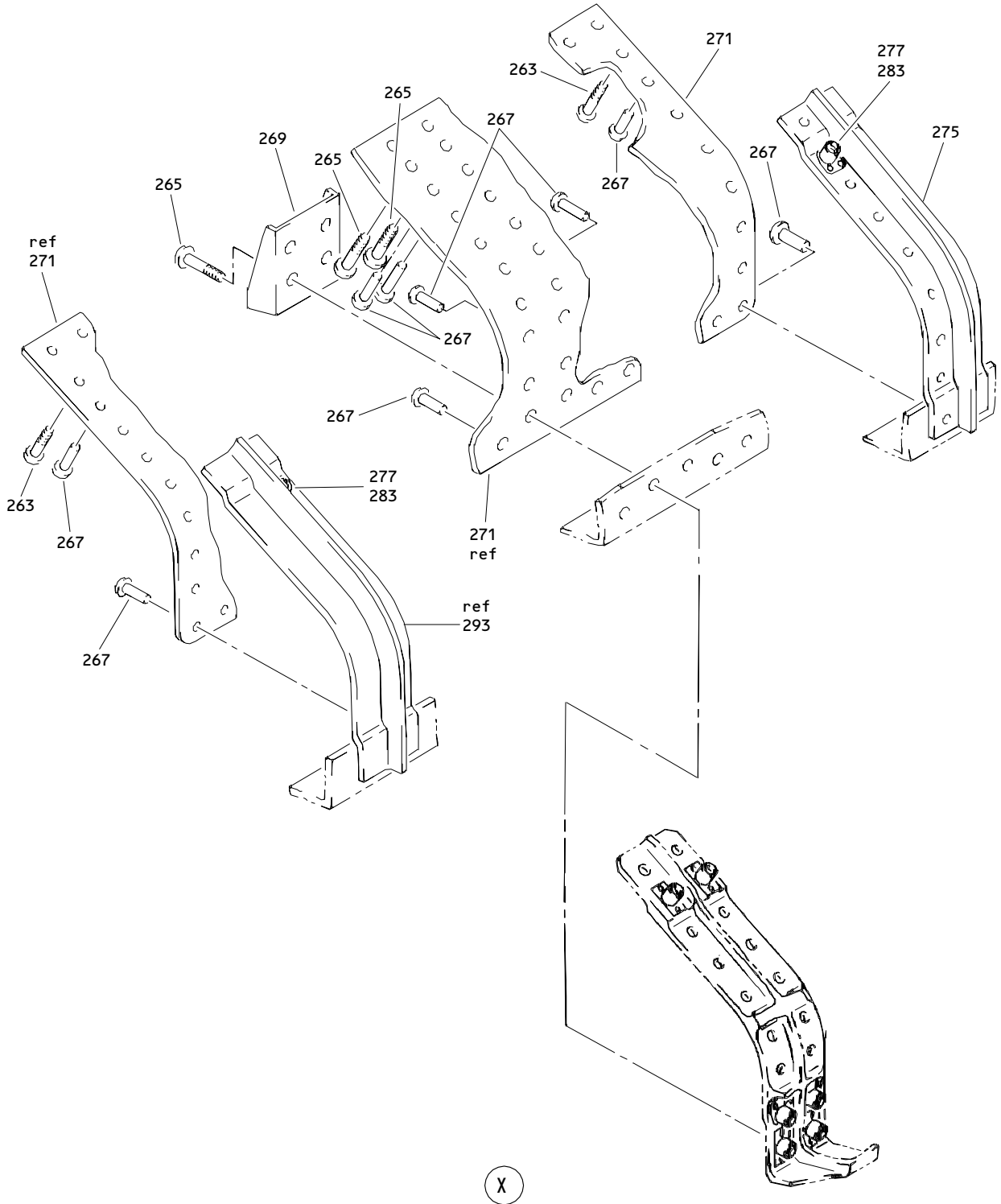
ILLUSTRATED PARTS LIST
01.1 Page 1079
Mar 01/04



Outboard Slat No. 3 Wing Leading Edge Structure Assembly
 Figure 4 (Sheet 15)

57-43-51

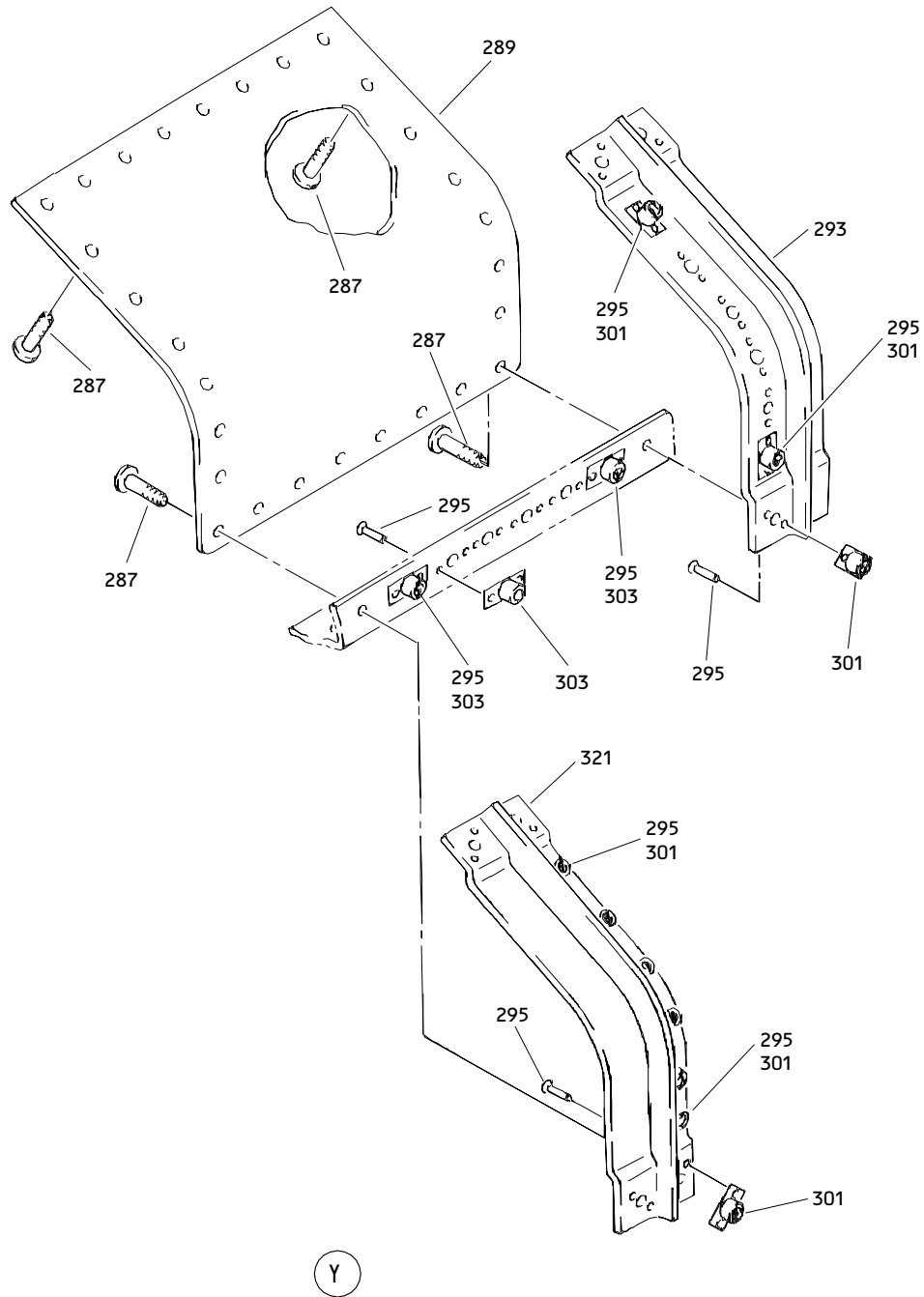
ILLUSTRATED PARTS LIST
 01.1 Page 1080
 Mar 01/04



Outboard Slat No. 3 Wing Leading Edge Structure Assembly
Figure 4 (Sheet 16)

57-43-51

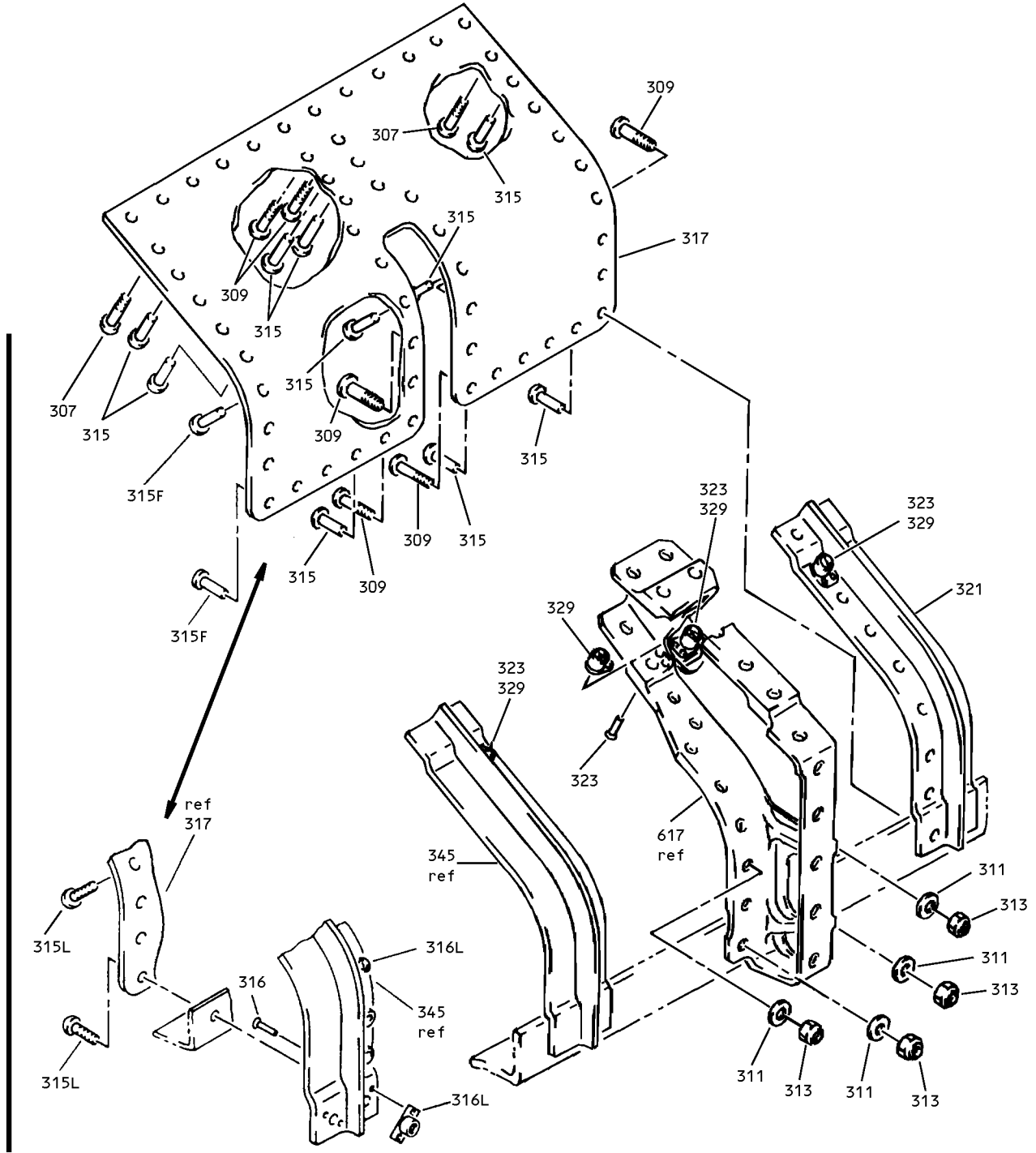
ILLUSTRATED PARTS LIST
01.1 Page 1080A
Mar 01/04



Outboard Slat No. 3 Wing Leading Edge Structure Assembly
 Figure 4 (Sheet 17)

57-43-51

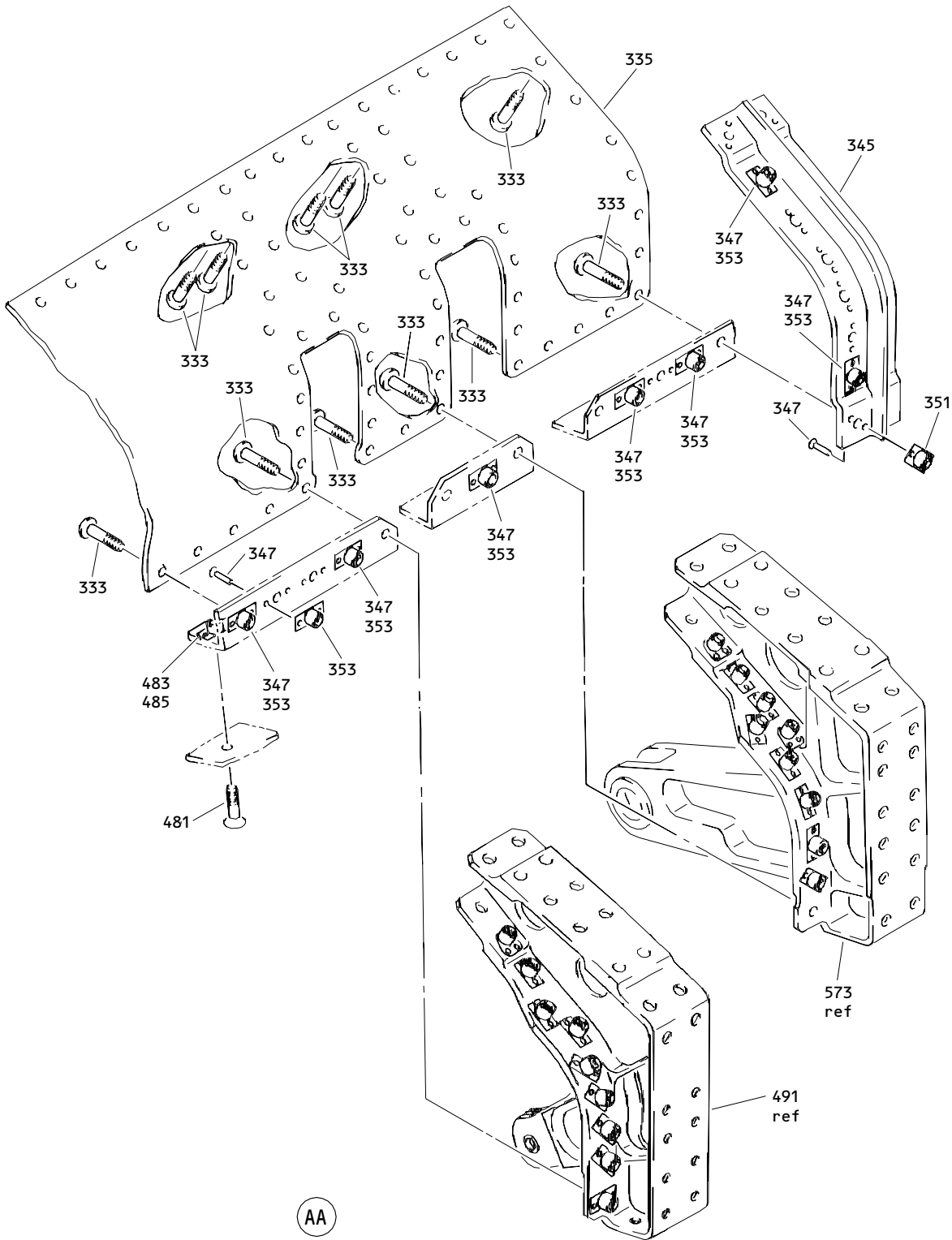
ILLUSTRATED PARTS LIST
 01.1 Page 1080B
 Mar 01/04



Outboard Slat No. 3 Wing Leading Edge Structure Assembly
Figure 4 (Sheet 18)

57-43-51

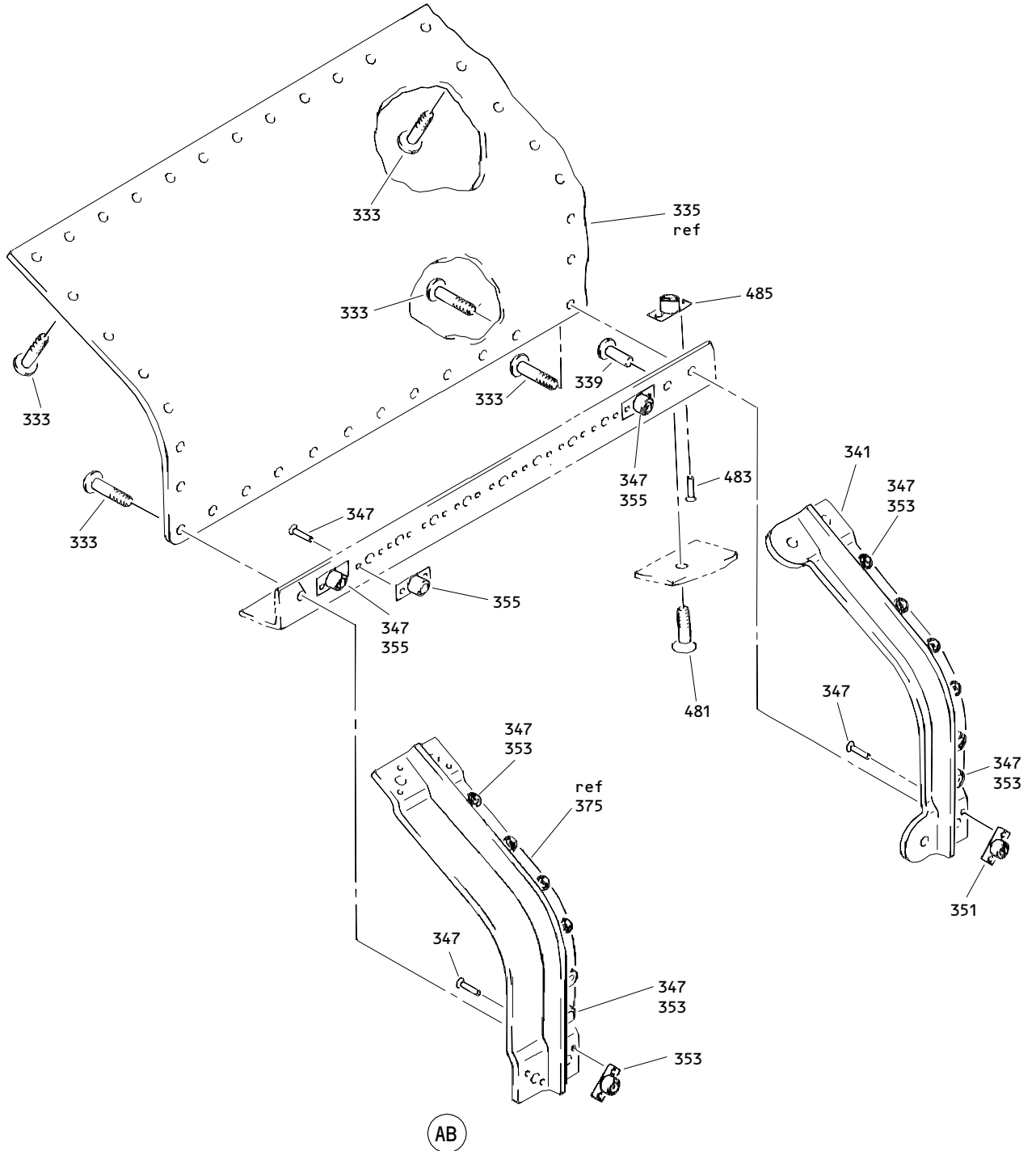
ILLUSTRATED PARTS LIST
01.1 Page 1080C
Mar 01/04



Outboard Slat No. 3 Wing Leading Edge Structure Assembly
 Figure 4 (Sheet 19)

57-43-51

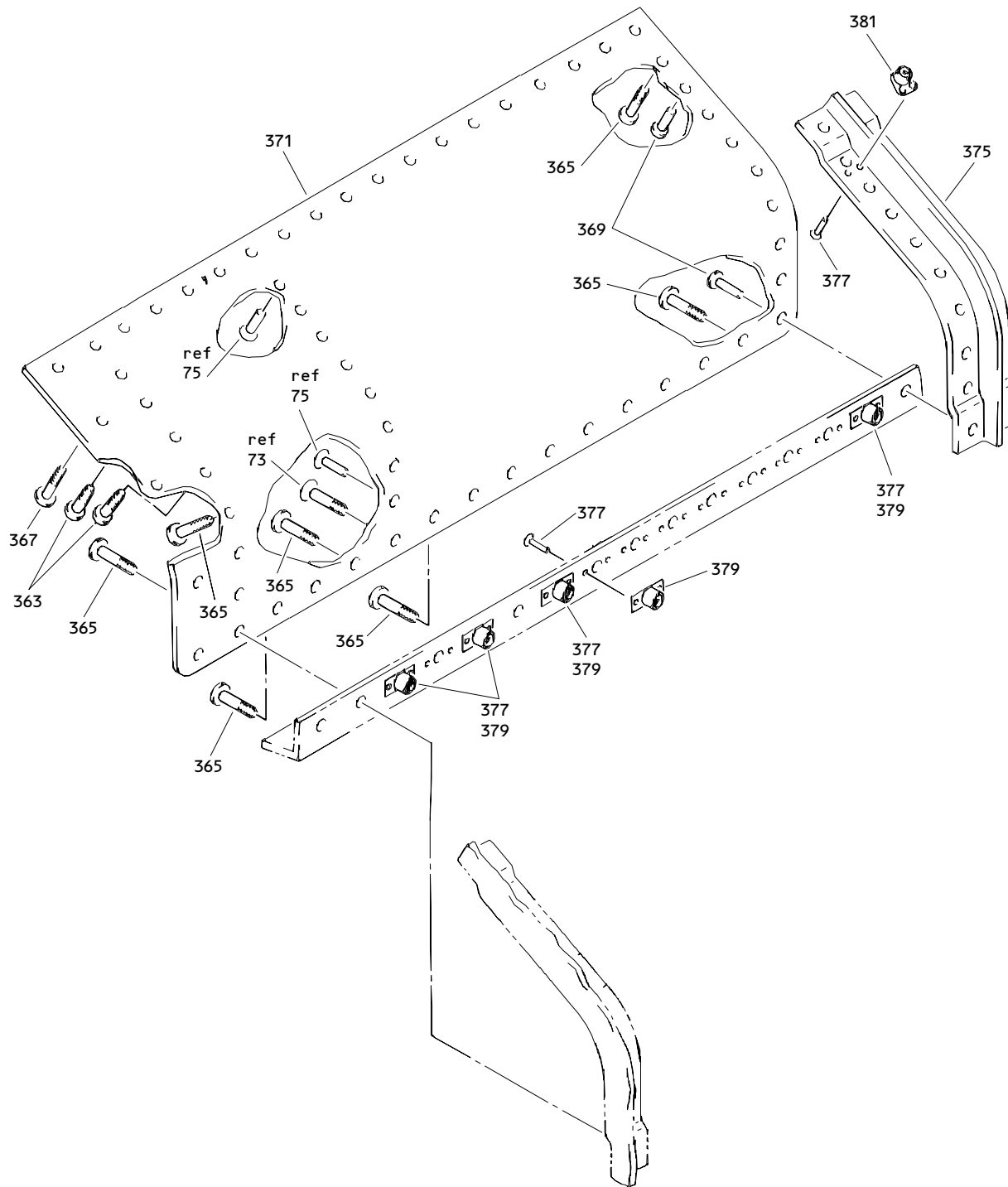
ILLUSTRATED PARTS LIST
 01.1 Page 1080D
 Mar 01/04



Outboard Slat No. 3 Wing Leading Edge Structure Assembly
Figure 4 (Sheet 20)

57-43-51

ILLUSTRATED PARTS LIST
01.1 Page 1080E
Mar 01/04

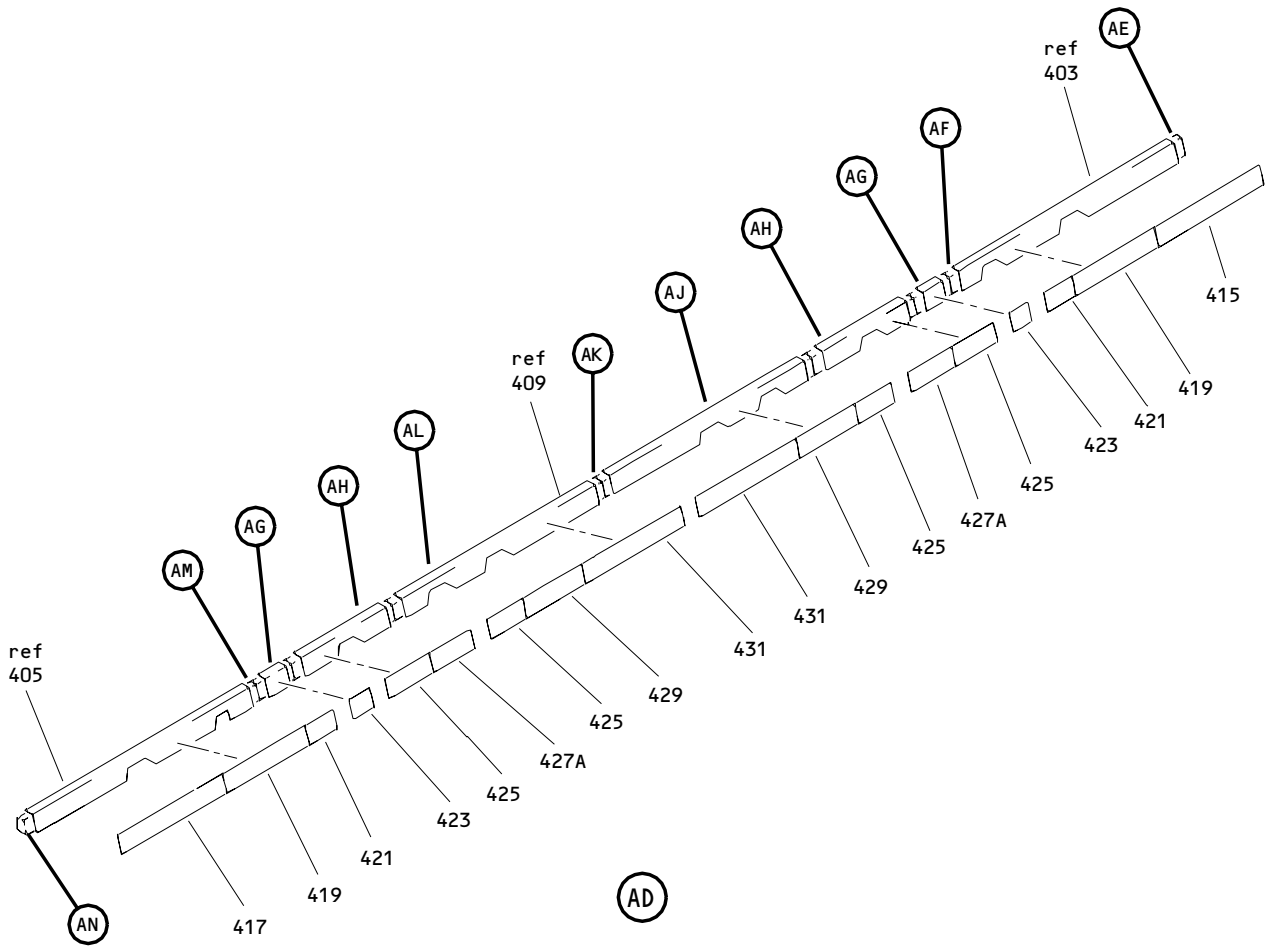


AC

Outboard Slat No. 3 Wing Leading Edge Structure Assembly
Figure 4 (Sheet 21)

57-43-51

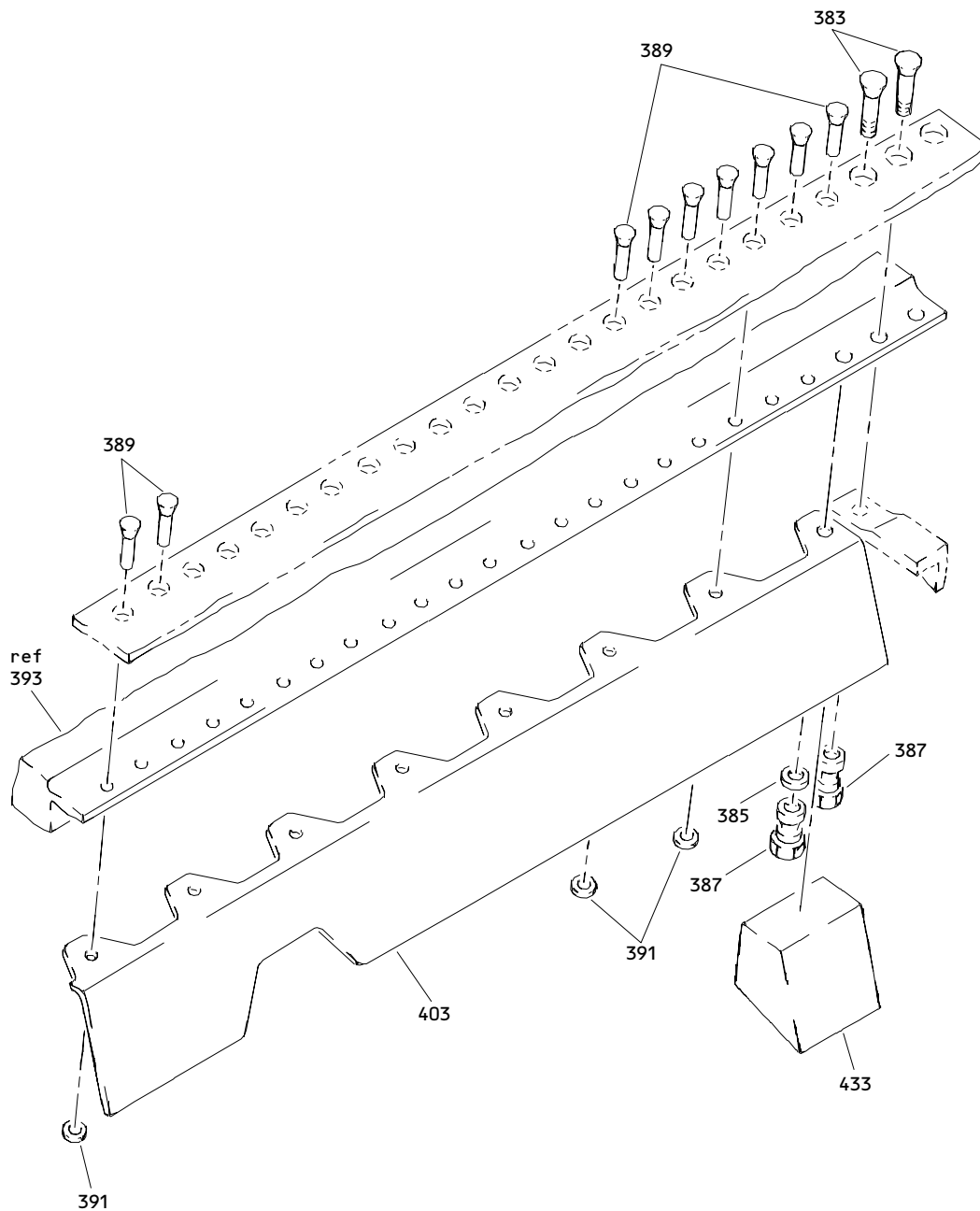
ILLUSTRATED PARTS LIST
01.1 Page 1080F
Mar 01/04



Outboard Slat No. 3 Wing Leading Edge Structure Assembly
Figure 4 (Sheet 22)

57-43-51

ILLUSTRATED PARTS LIST
01.1 Page 1080G
Mar 01/04

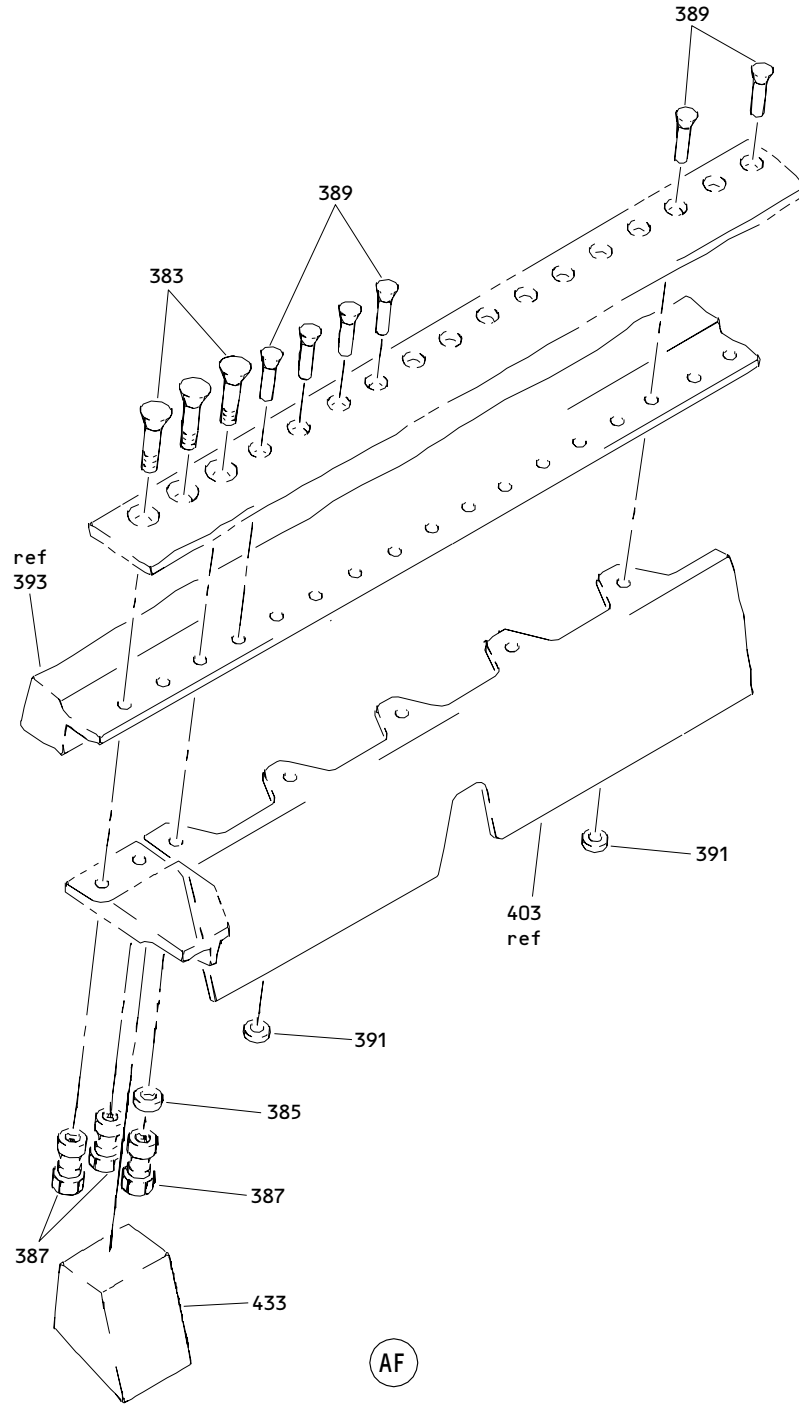


AE

Outboard Slat No. 3 Wing Leading Edge Structure Assembly
Figure 4 (Sheet 23)

57-43-51

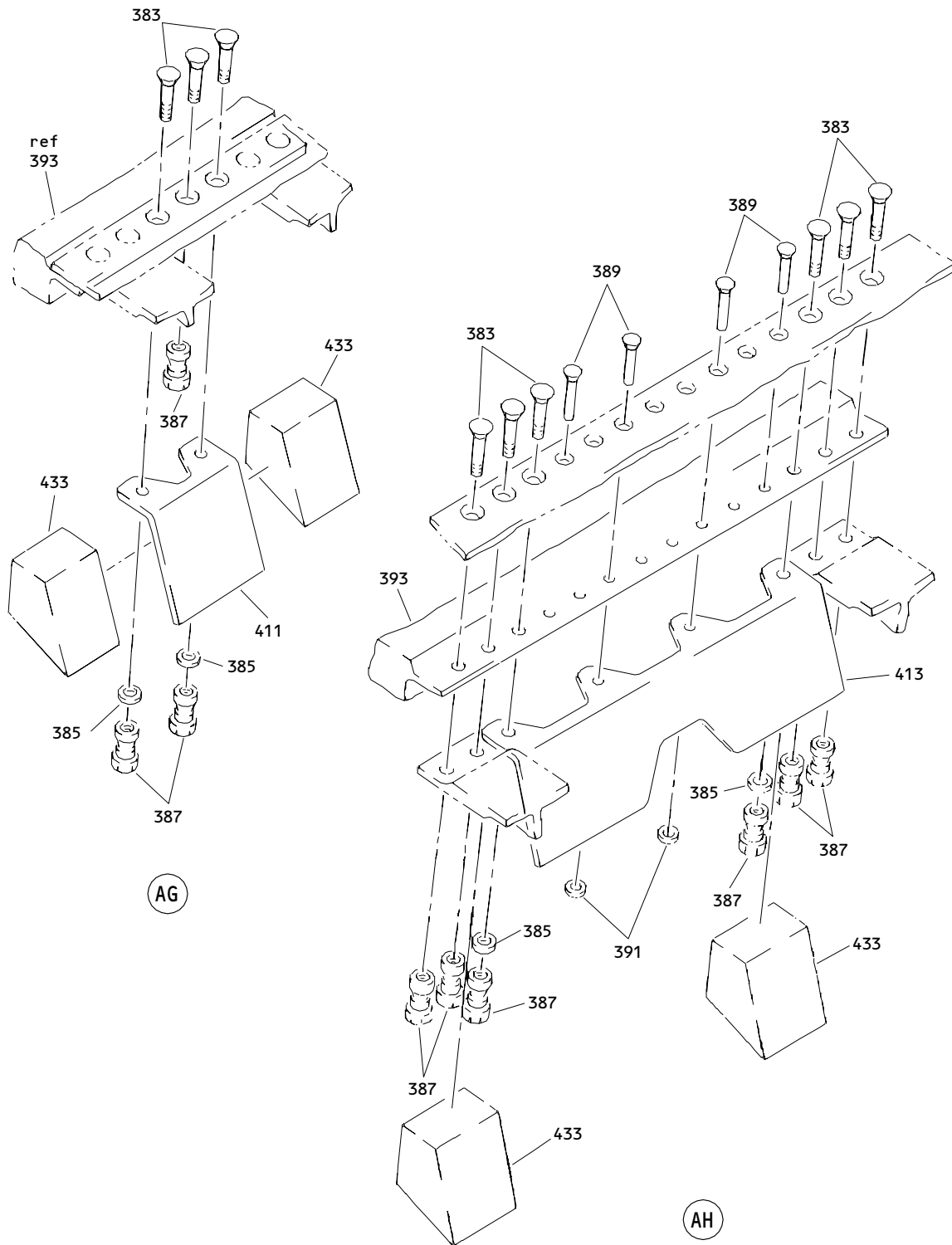
ILLUSTRATED PARTS LIST
01.1 Page 1080H
Mar 01/04



Outboard Slat No. 3 Wing Leading Edge Structure Assembly
Figure 4 (Sheet 24)

57-43-51

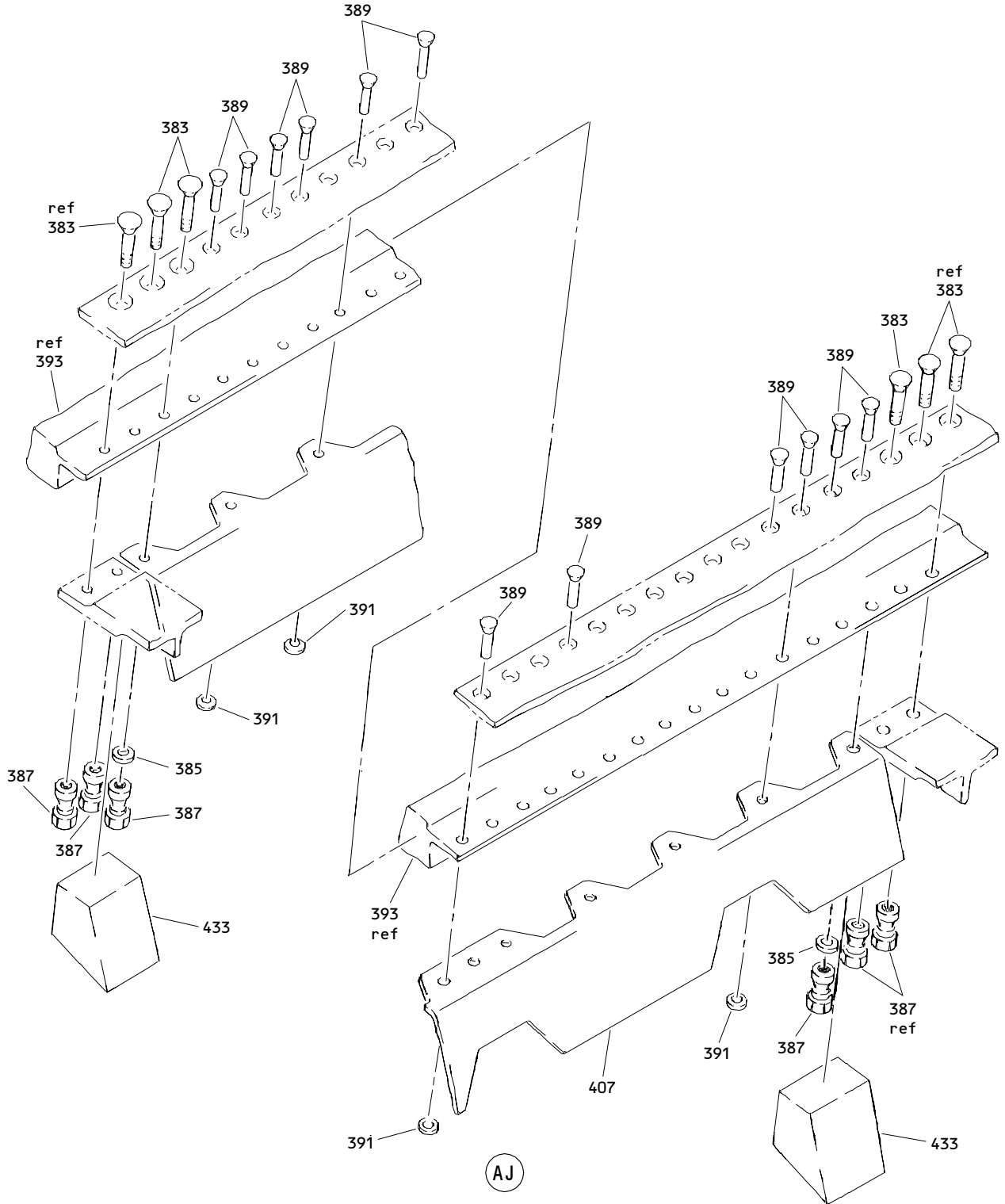
ILLUSTRATED PARTS LIST
01.1 Page 1080I
Mar 01/04



Outboard Slat No. 3 Wing Leading Edge Structure Assembly
 Figure 4 (Sheet 25)

57-43-51

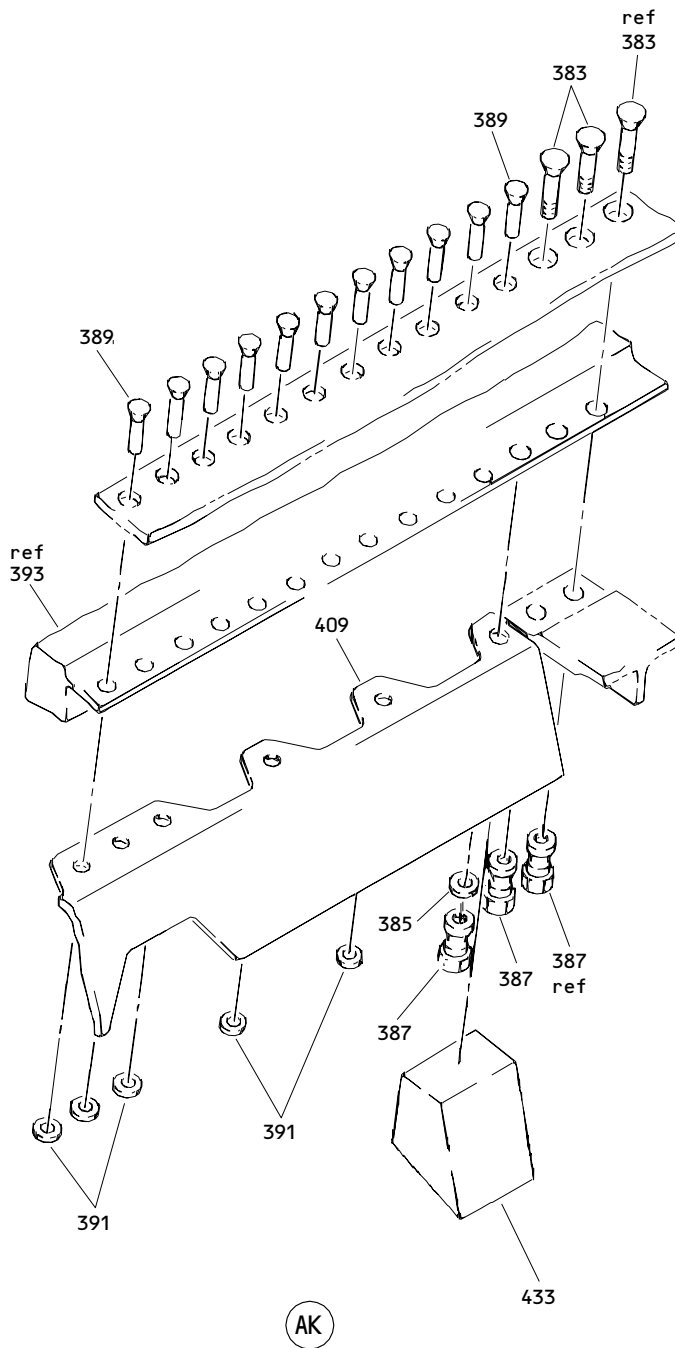
ILLUSTRATED PARTS LIST
 01.1 Page 1080J
 Mar 01/04



Outboard Slat No. 3 Wing Leading Edge Structure Assembly
Figure 4 (Sheet 26)

57-43-51

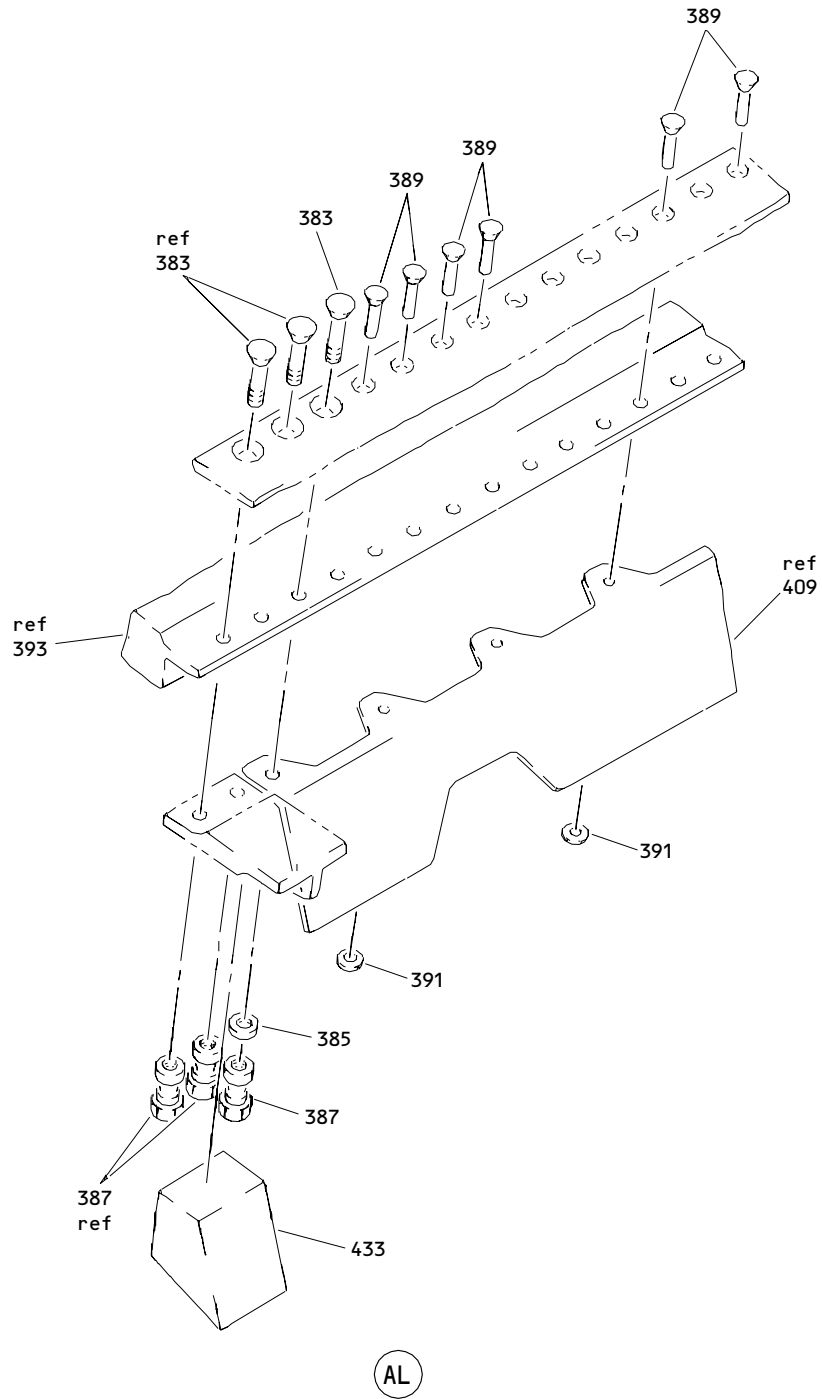
ILLUSTRATED PARTS LIST
01.1 Page 1080K
Mar 01/04



Outboard Slat No. 3 Wing Leading Edge Structure Assembly
Figure 4 (Sheet 27)

57-43-51

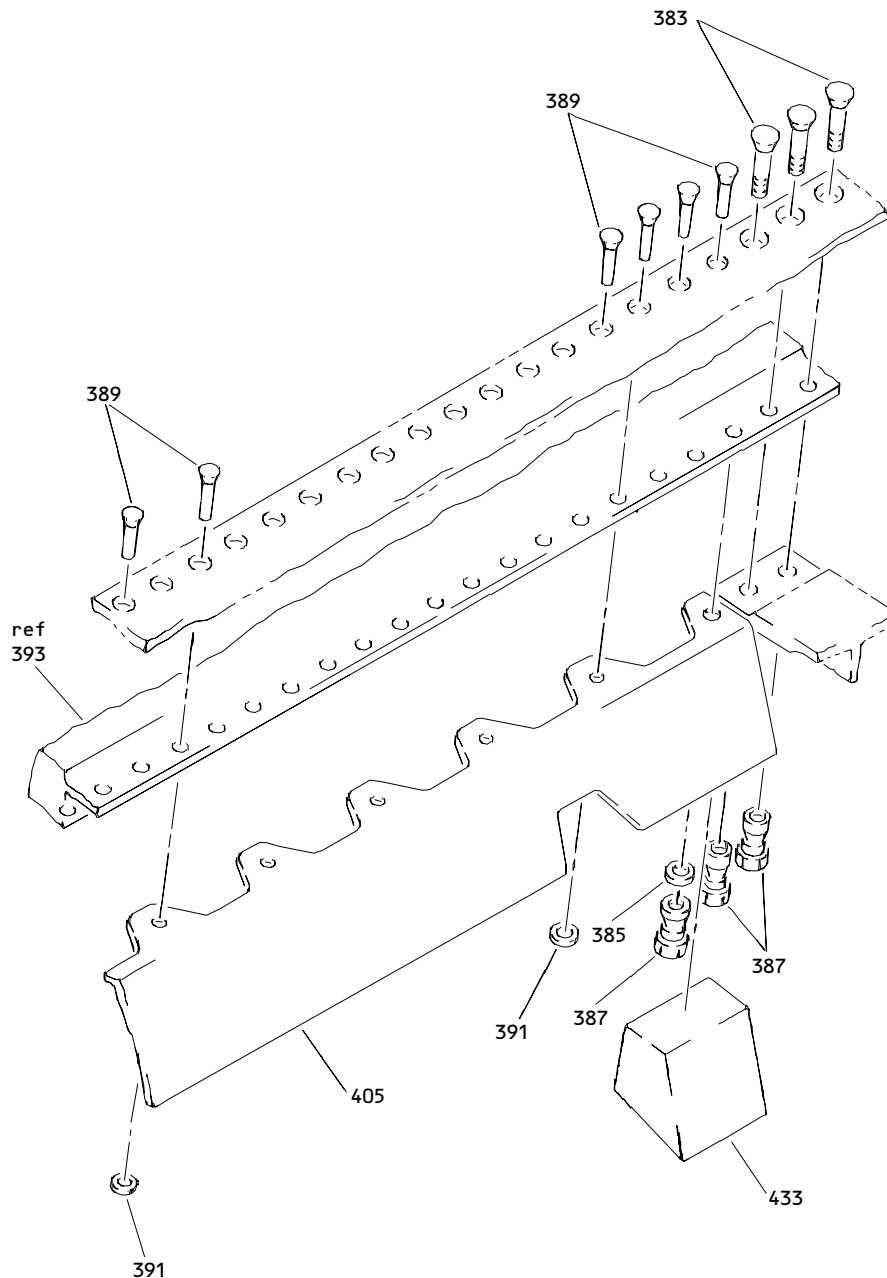
ILLUSTRATED PARTS LIST
01.1 Page 1080L
Mar 01/04



Outboard Slat No. 3 Wing Leading Edge Structure Assembly
Figure 4 (Sheet 28)

57-43-51

ILLUSTRATED PARTS LIST
01.1 Page 1080M
Mar 01/04

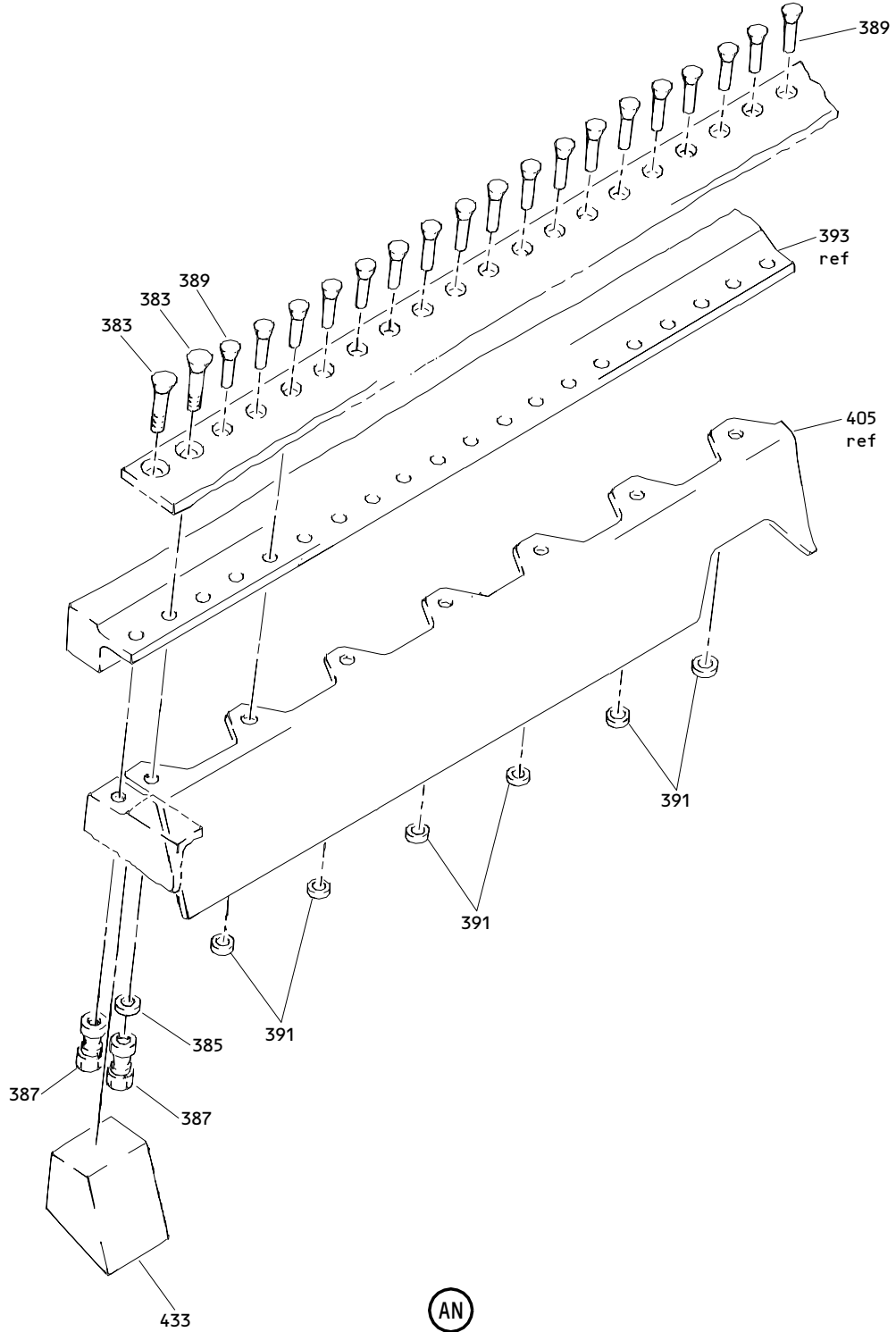


AM

Outboard Slat No. 3 Wing Leading Edge Structure Assembly
Figure 4 (Sheet 29)

57-43-51

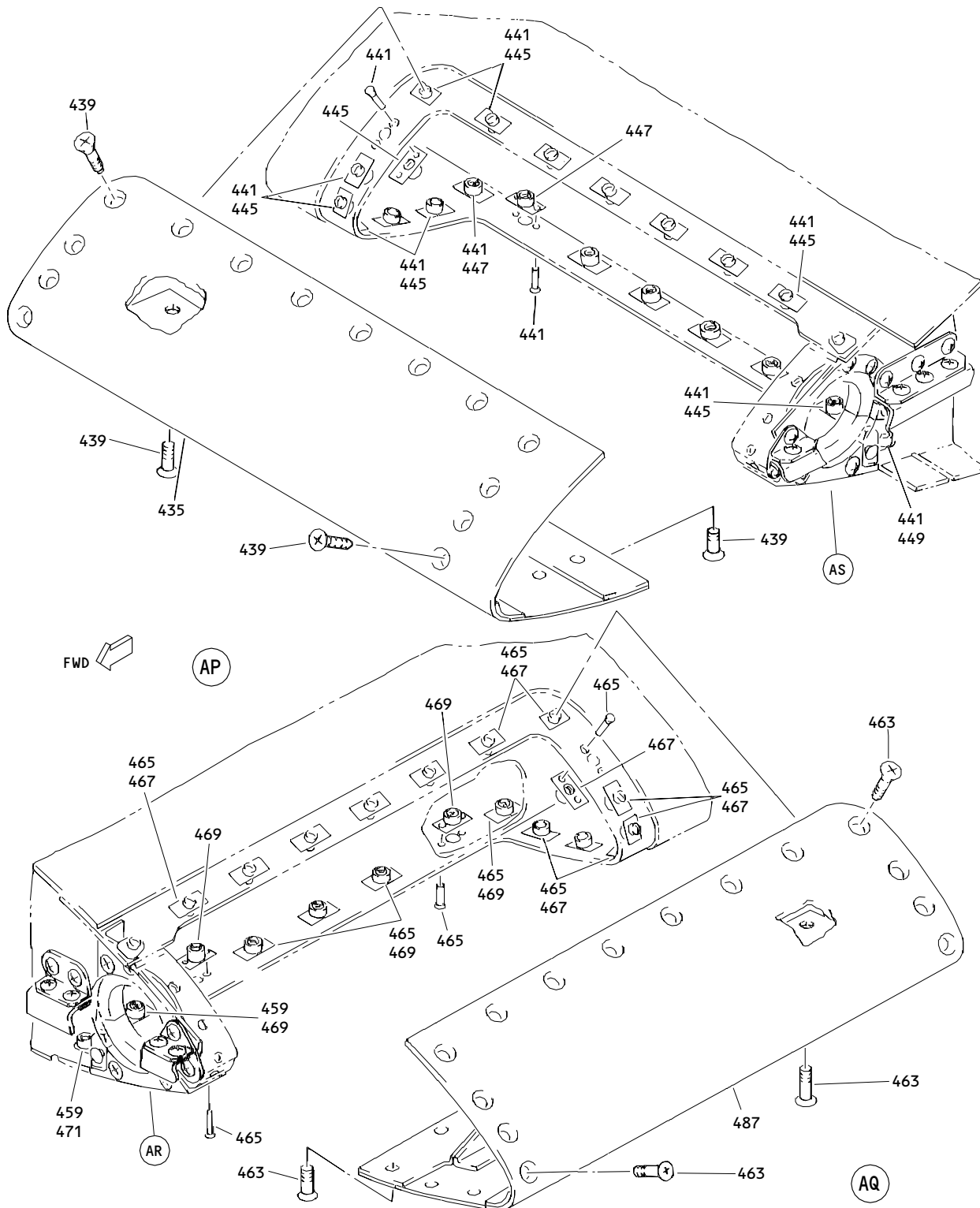
ILLUSTRATED PARTS LIST
01.1 Page 1080N
Mar 01/04



Outboard Slat No. 3 Wing Leading Edge Structure Assembly
Figure 4 (Sheet 30)

57-43-51

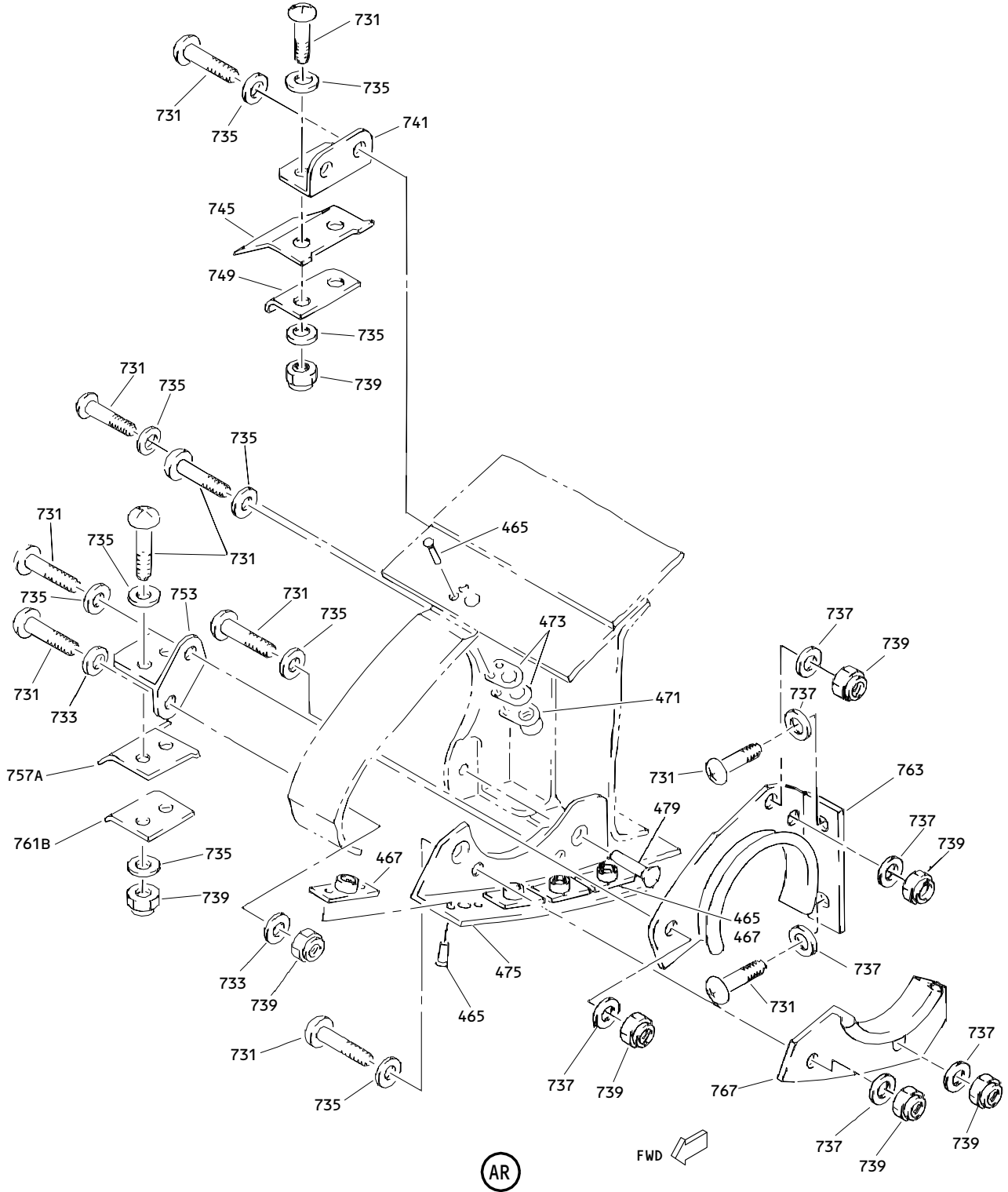
ILLUSTRATED PARTS LIST
01.1 Page 10800
Mar 01/04



Outboard Slat No. 3 Wing Leading Edge Structure Assembly
 Figure 4 (Sheet 31)

57-43-51

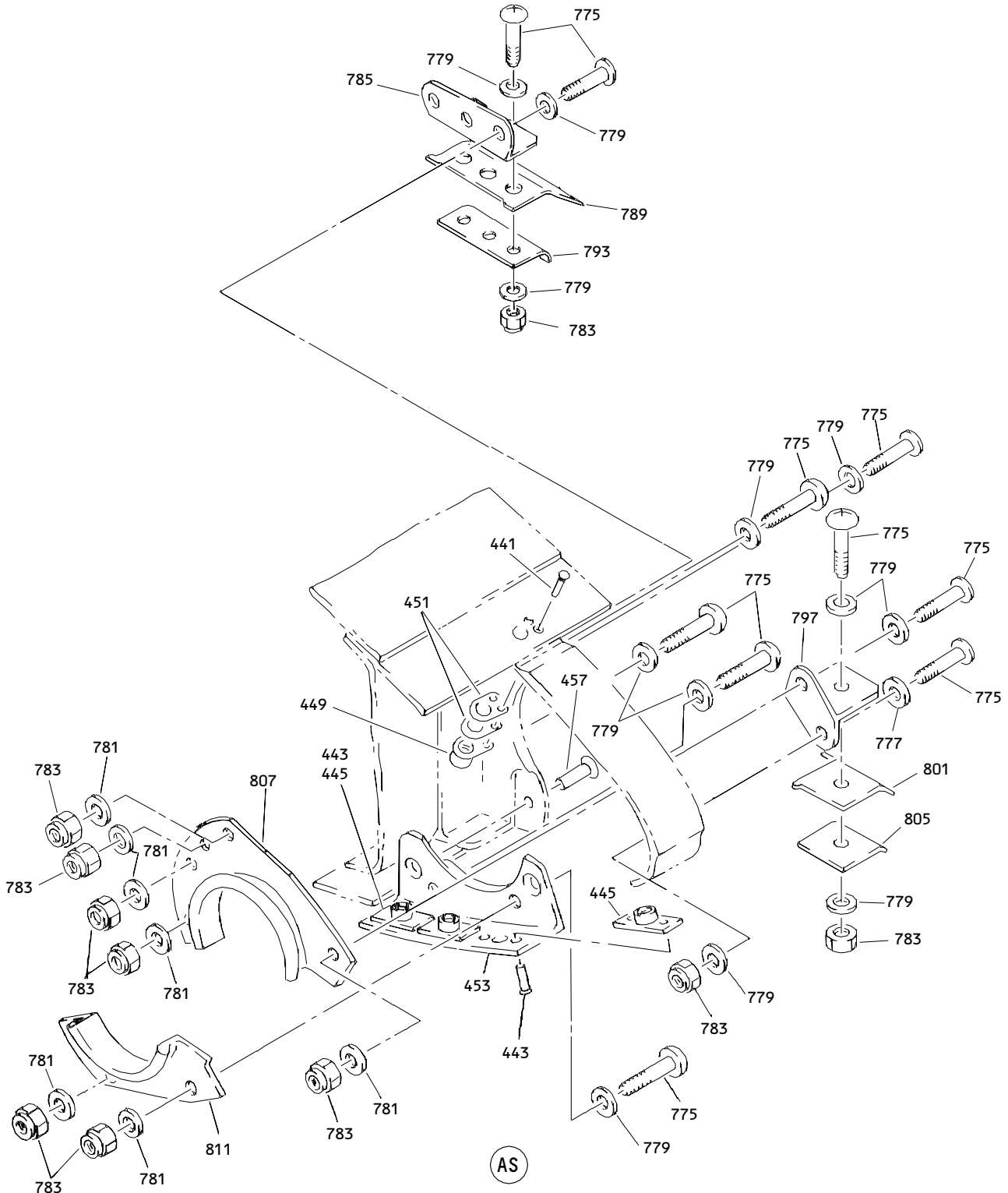
ILLUSTRATED PARTS LIST
 01.1 Page 1080P
 Mar 01/04



Outboard Slat No. 3 Wing Leading Edge Structure Assembly
Figure 4 (Sheet 32)

57-43-51

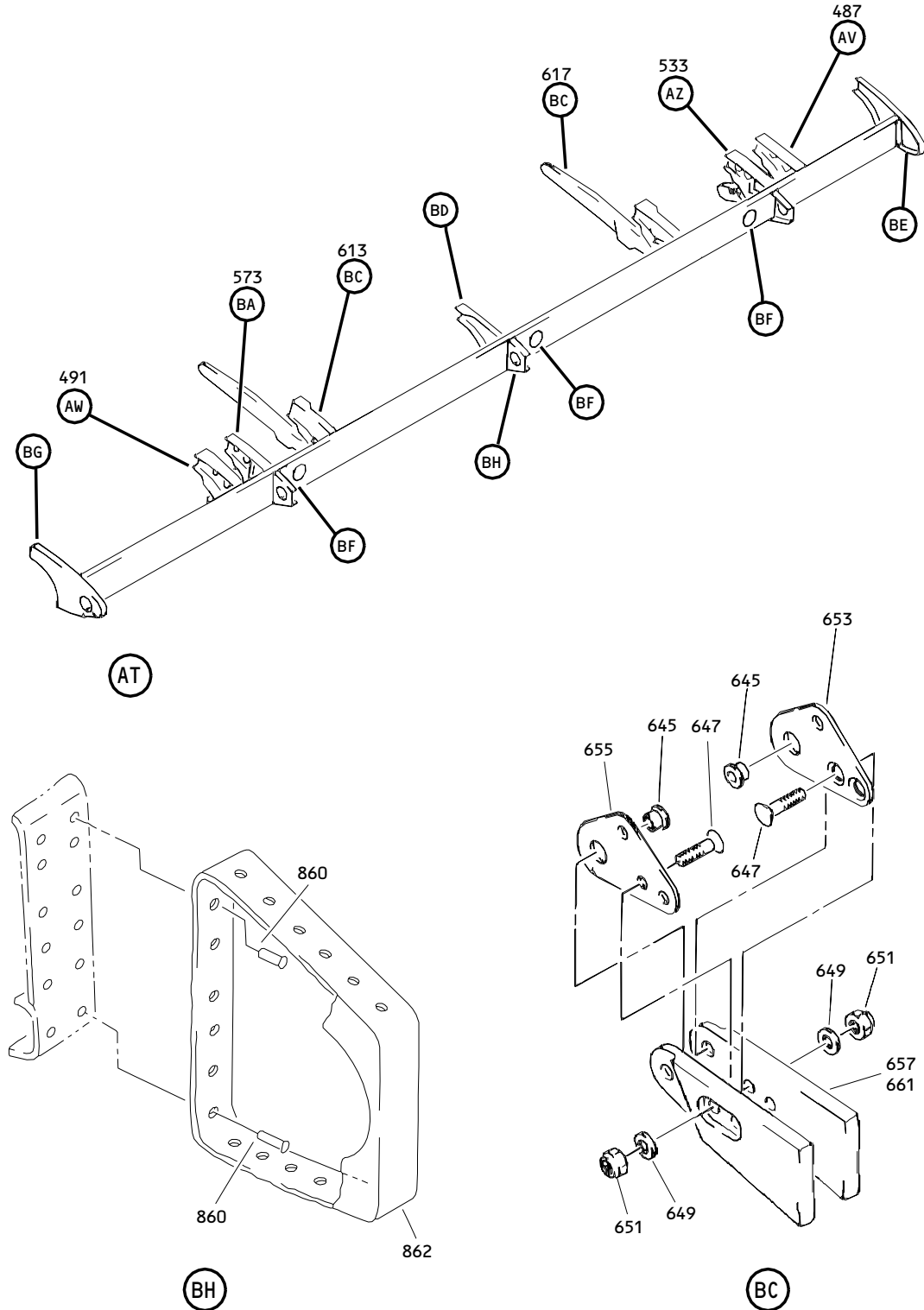
ILLUSTRATED PARTS LIST
01.1 Page 1080Q
Mar 01/04



Outboard Slat No. 3 Wing Leading Edge Structure Assembly
Figure 4 (Sheet 33)

57-43-51

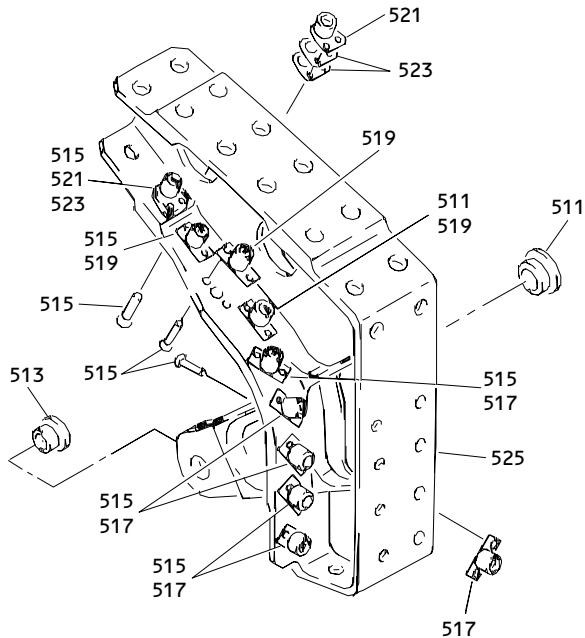
ILLUSTRATED PARTS LIST
01.1 Page 1080R
Mar 01/04



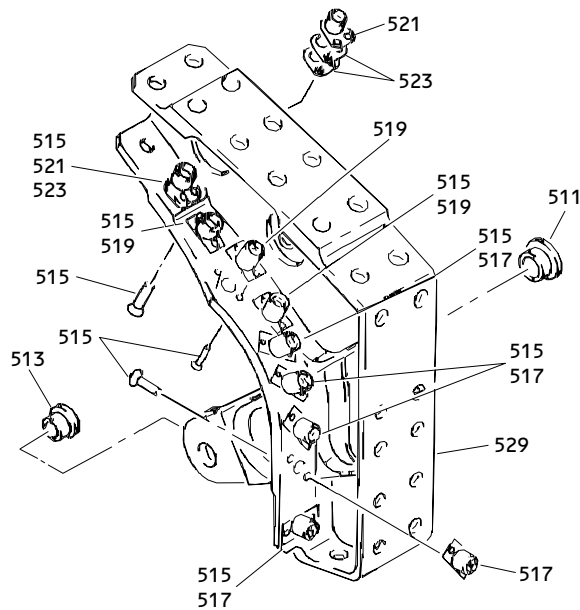
Outboard Slat No. 3 Wing Leading Edge Structure Assembly
 Figure 4 (Sheet 34)

57-43-51

ILLUSTRATED PARTS LIST
 01.1 Page 1080S
 Mar 01/04



AV

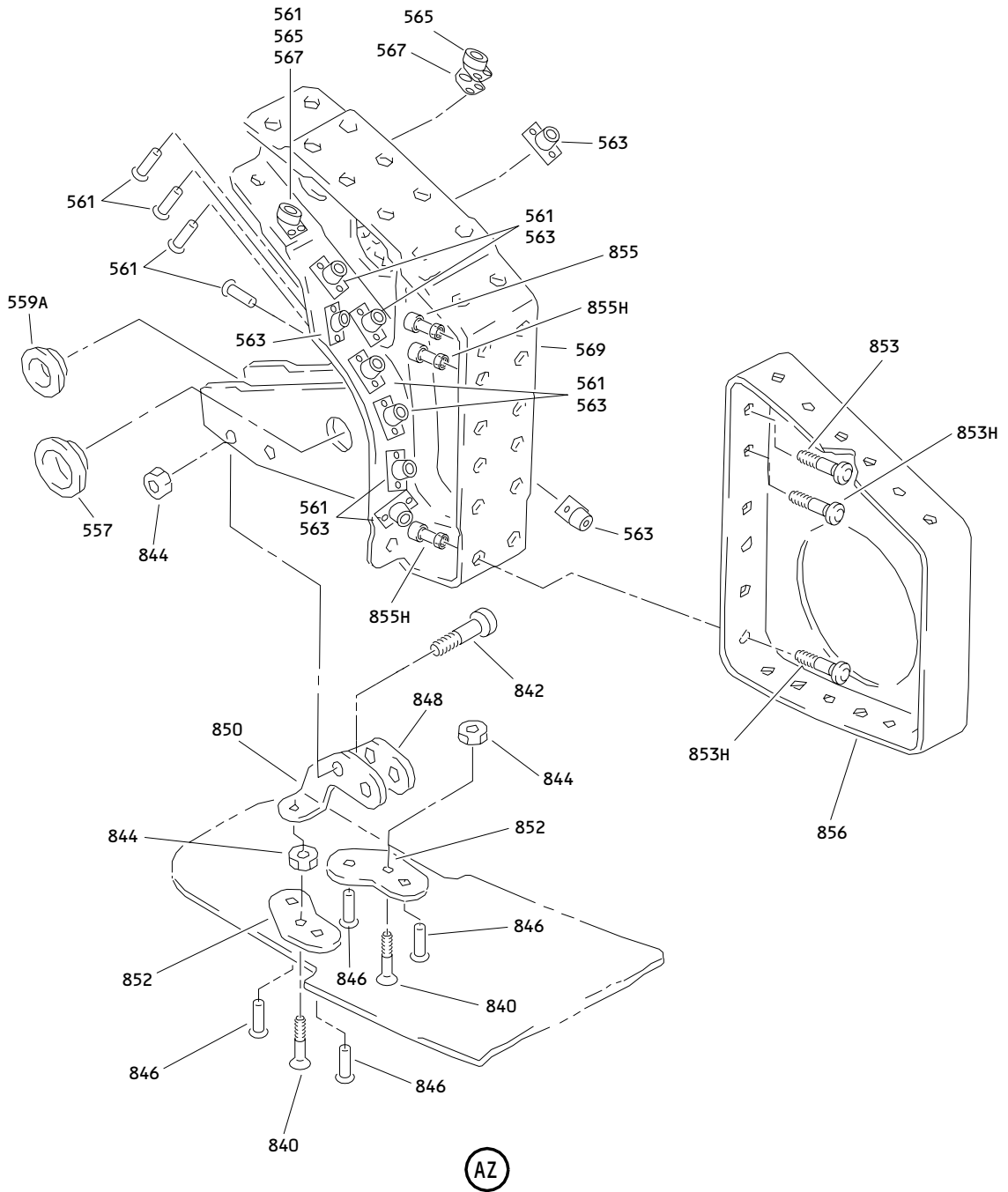


AW

Outboard Slat No. 3 Wing Leading Edge Structure Assembly
 Figure 4 (Sheet 35)

57-43-51

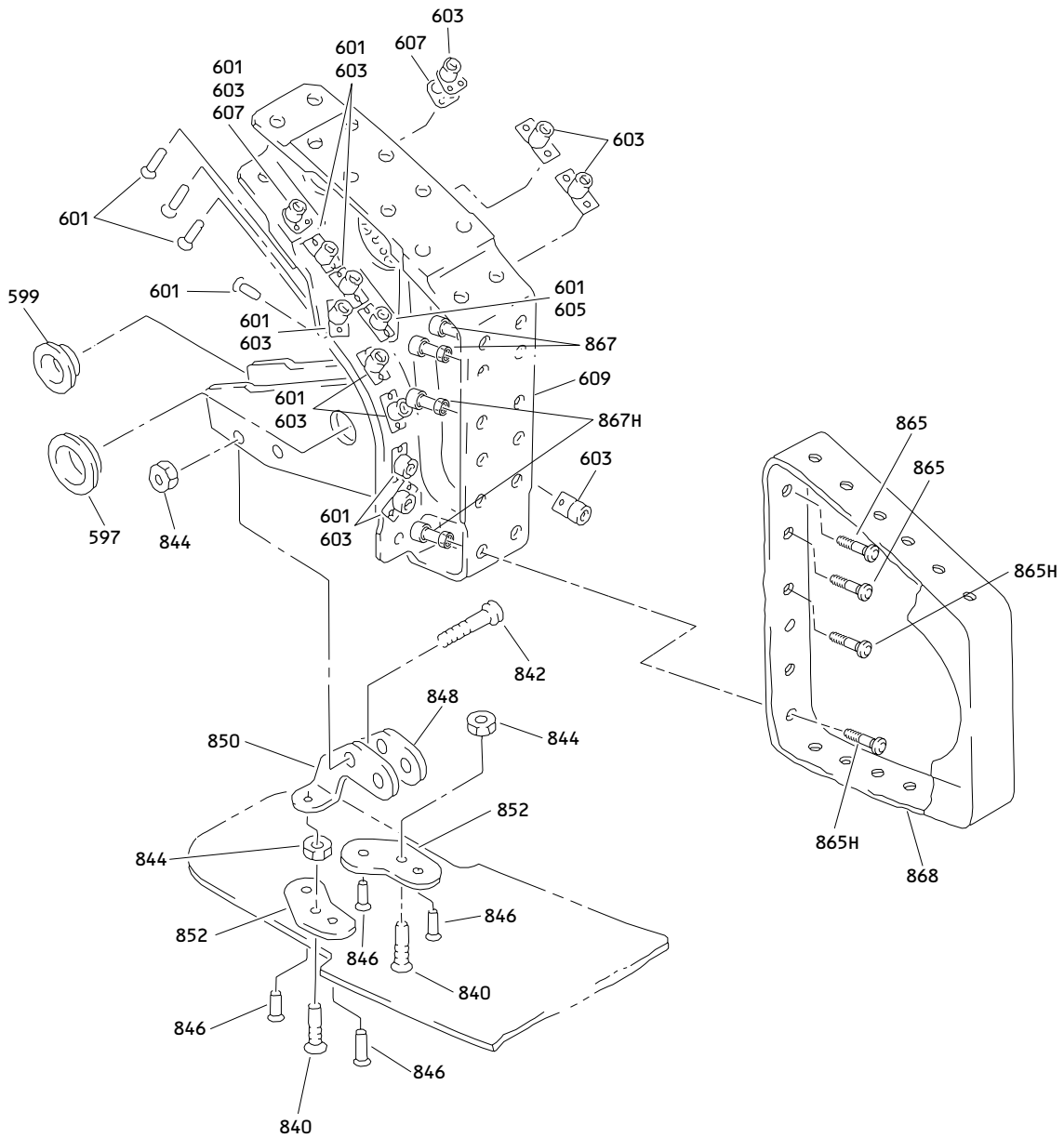
ILLUSTRATED PARTS LIST
 01.1 Page 1080T
 Mar 01/04



Outboard Slat No. 3 Wing Leading Edge Structure Assembly
Figure 4 (Sheet 36)

57-43-51

ILLUSTRATED PARTS LIST
01.1 Page 1080U
Mar 01/04

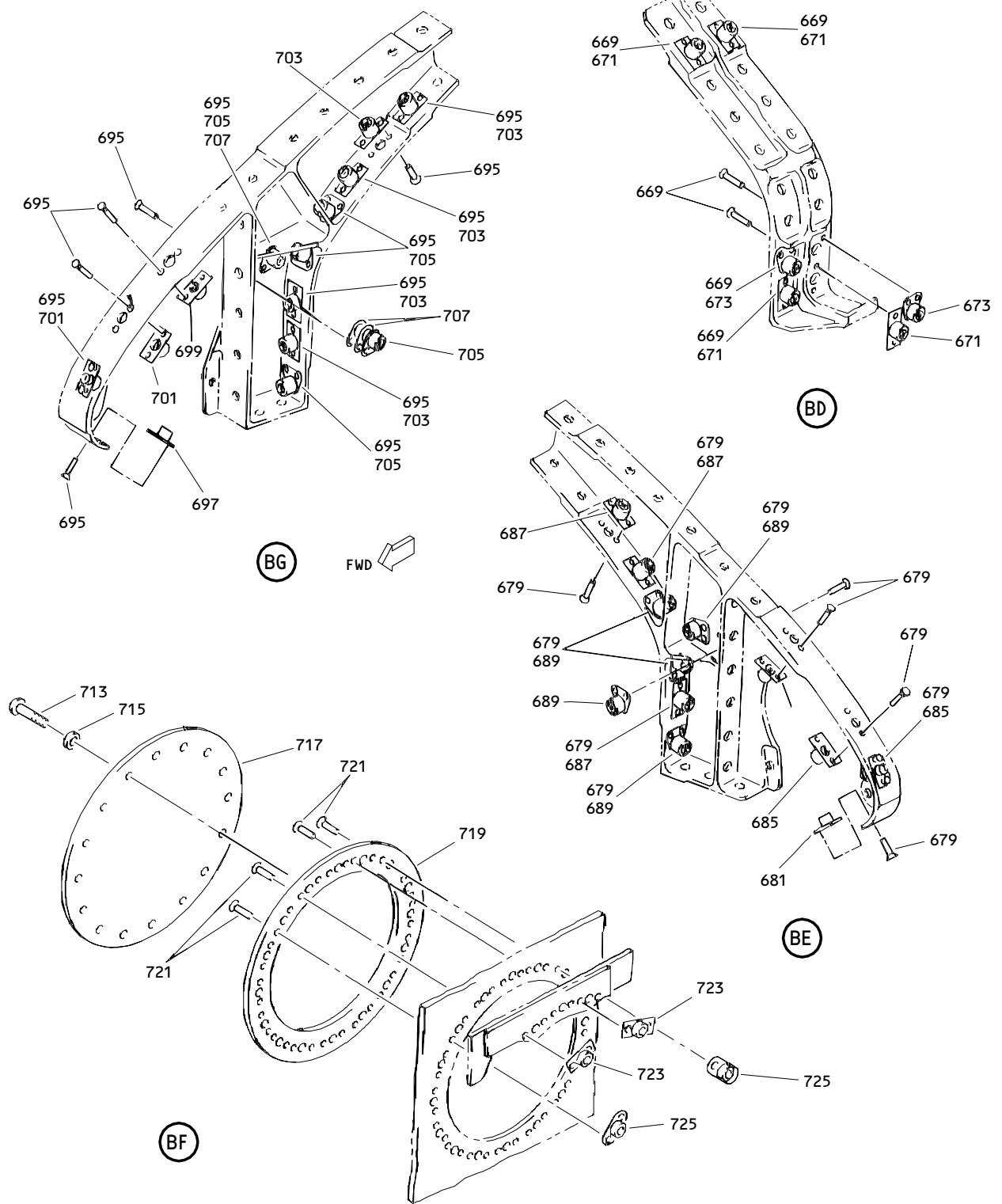


BA

Outboard Slat No. 3 Wing Leading Edge Structure Assembly
 Figure 4 (Sheet 37)

57-43-51

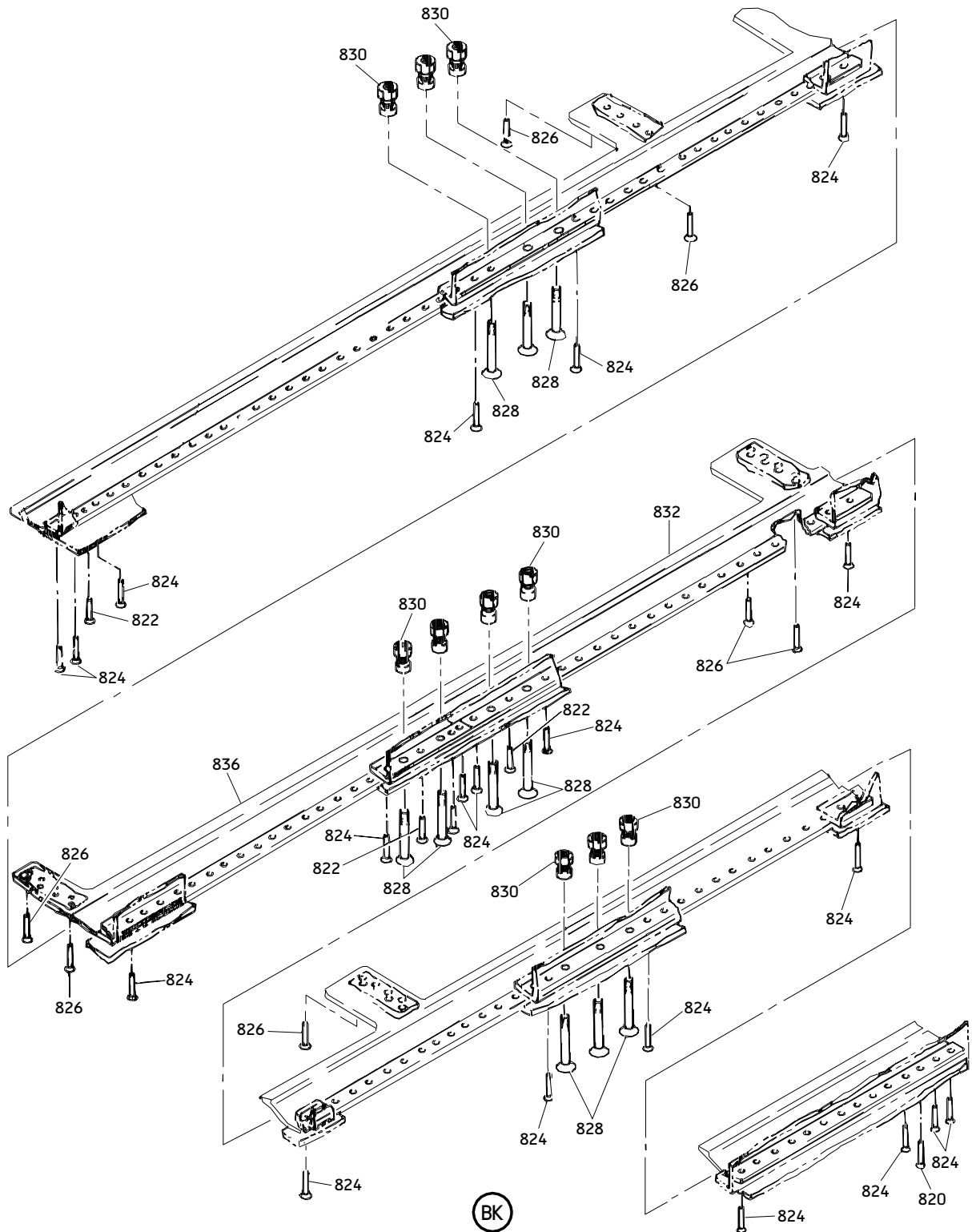
ILLUSTRATED PARTS LIST
 01.1 Page 1080V
 Mar 01/04



Outboard Slat No. 3 Wing Leading Edge Structure Assembly
 Figure 4 (Sheet 38)

57-43-51

ILLUSTRATED PARTS LIST
 01.1 Page 1080W
 Mar 01/04



Outboard Slat No. 3 Wing Leading Edge Structure Assembly
 Figure 4 (Sheet 39)

57-43-51

ILLUSTRATED PARTS LIST
 01.1 Page 1080X
 Mar 01/04

FIG. & ITEM	PART NO.	AIRLINE PART NUMBER	NOMENCLATURE 1234567	EFF CODE	QTY PER ASSY
04- -1	114T4103-29		STRUCTURE ASSY-OUTBD SLAT NO. 3 WING LE (VARIABLE) (LH) (PRE SB 767-57A0057)	F	RF
-1A	114T4103-31		DELETED		
-1B	114T4103-31SP		STRUCTURE ASSY-OUTBD SLAT NO. 3 WING LE (LH) (POST SB 757-32-0107) (PRE SB 767-57A0057)	G	RF
-1C	114T4103-27		STRUCTURE ASSY-OUTBD SLAT NO. 3 WING LE (VARIABLE) (LH) (PRE SB 767-57A0057)	E	RF
-1D	114T4103-37SP		STRUCTURE ASSY-OUTBD SLAT NO. 3 WING LE (LH) (POST SB 757-32-0107) (PRE SB 767-57A0057)	H	RF
-1E	114T4103-39		STRUCTURE ASSY-OUTBD SLAT NO. 3 WING LE (VARIABLE) (LH) (PRE SB 767-57A0057)	J	RF
-1F	114T4103-41		STRUCTURE ASSY-OUTBD SLAT NO. 3 WING LE (LH) (POST SB 757-32-0107) (PRE SB 767-57A0057)	K	RF
-1G	114T4103-43		DELETED		
-1H	114T4103-45		STRUCTURE ASSY-OUTBD SLAT NO. 3 WING LE (VARIABLE) (LH) (PRE SB 767-57A0057)	Y	RF
-1J	114T4103-47		STRUCTURE ASSY-OUTBD SLAT NO. 3 WING LE (VARIABLE) (LH) (PRE SB 767-57A0057)	Z	RF
-1K	114T4103-49		STRUCTURE ASSY-OUTBD SLAT NO. 3 WING LE (LH) (PRE SB 767-57A0057)	AE	RF
-1L	114T4103-51		STRUCTURE ASSY-OUTBD SLAT NO. 3 WING LE (VARIABLE) (LH) (PRE SB 767-57A0057)	AG	RF
-1M	114T4103-53		STRUCTURE ASSY-OUTBD SLAT NO. 3 WING LE (LH)	L	RF
-1N	114T4103-55		DELETED		

57-43-51

FIG. & ITEM	PART NO.	AIRLINE PART NUMBER	NOMENCLATURE 1234567	EFF CODE	QTY PER ASSY
04- -1P	015T1507-319		STRUCTURE ASSY-OUTBD SLAT NO. 3 WING LE (LH) (POST SB 767-57A0057)	DC	RF
-1Q	015T1507-361		STRUCTURE ASSY-OUTBD SLAT NO. 3 WING LE (LH) (POST SB 767-57A0057)	DD	RF
-1R	015T1507-321		STRUCTURE ASSY-OUTBD SLAT NO. 3 WING LE (LH) (POST SB 767-57A0057)	DE	RF
-1S	015T1507-363		STRUCTURE ASSY-OUTBD SLAT NO. 3 WING LE (LH) (POST SB 767-57A0057)	DF	RF
-1T	015T1507-323		STRUCTURE ASSY-OUTBD SLAT NO. 3 WING LE (LH) (POST SB 767-57A0057)	DG	RF
-1U	015T1507-365		STRUCTURE ASSY-OUTBD SLAT NO. 3 WING LE (LH) (POST SB 767-57A0057)	DH	RF
-1V	015T1507-325		STRUCTURE ASSY-OUTBD SLAT NO. 3 WING LE (LH) (POST SB 767-57A0057)	DJ	RF
-1W	015T1507-327		STRUCTURE ASSY-OUTBD SLAT NO. 3 WING LE (LH) (POST SB 767-57A0057)	DK	RF
-1X	015T1507-329		STRUCTURE ASSY-OUTBD SLAT NO. 3 WING LE (LH) (POST SB 767-57A0057)	DL	RF
-1Y	015T1507-367		STRUCTURE ASSY-OUTBD SLAT NO. 3 WING LE (LH) (POST SB 767-57A0057)	DM	RF
-1Z	015T1507-369		STRUCTURE ASSY-OUTBD SLAT NO. 3 WING LE (LH) (POST SB 767-57A0057)	DN	RF
-2	015T1507-371		STRUCTURE ASSY-OUTBD SLAT NO. 3 WING LE (LH) (POST SB 767-57A0057)	DP	RF
-2A	015T1507-331		STRUCTURE ASSY-OUTBD SLAT NO. 3 WING LE (LH) (POST SB 767-57A0057)	DQ	RF
-2B	015T1507-373		STRUCTURE ASSY-OUTBD SLAT NO. 3 WING LE (LH) (POST SB 767-57A0057)	DR	RF
-2C	015T1507-333		STRUCTURE ASSY-OUTBD SLAT NO. 3 WING LE (LH) (POST SB 767-57A0057)	DS	RF

57-43-51

 ILLUSTRATED PARTS LIST
 01.1 Page 1080Z
 Mar 01/04

FIG. & ITEM	PART NO.	AIRLINE PART NUMBER	NOMENCLATURE 1234567	EFF CODE	QTY PER ASSY
04- -2D	015T1507-375		STRUCTURE ASSY-OUTBD SLAT NO. 3 WING LE (LH) (POST SB 767-57A0057)	DT	RF
-2E	015T1507-335		STRUCTURE ASSY-OUTBD SLAT NO. 3 WING LE (LH) (POST SB 767-57A0057)	DU	RF
-2F	015T1507-377		STRUCTURE ASSY-OUTBD SLAT NO. 3 WING LE (LH) (POST SB 767-57A0057)	DV	RF
-2G	015T1507-337		STRUCTURE ASSY-OUTBD SLAT NO. 3 WING LE (LH) (POST SB 767-57A0057)	DW	RF
-2H	015T1507-379		STRUCTURE ASSY-OUTBD SLAT NO. 3 WING LE (LH) (POST SB 767-57A0057)	DX	RF
-2J	015T1507-339		STRUCTURE ASSY-OUTBD SLAT NO. 3 WING LE (LH) (POST SB 767-57A0057)	DY	RF
-2K	015T1507-381		STRUCTURE ASSY-OUTBD SLAT NO. 3 WING LE (LH) (POST SB 767-57A0057)	DZ	RF
-2L	015T1507-341		STRUCTURE ASSY-OUTBD SLAT NO. 3 WING LE (LH) (POST SB 767-57A0057)	EA	RF
-2M	015T1507-383		STRUCTURE ASSY-OUTBD SLAT NO. 3 WING LE (LH) (POST SB 767-57A0057)	EB	RF
-2N	114T4103-57SP		DELETED		
-2P	114T4103-59SP		DELETED		
-2Q	114T4103-401SP		DELETED		
-2R	114T4103-403G		STRUCTURE ASSY-OUTBD SLAT NO. 3 WING LE (LH)	FJ	RF
-2S	114T4103-405G		STRUCTURE ASSY-OUTBD SLAT NO. 3 WING LE (LH)	FL	RF
-2T	114T4103-407G		STRUCTURE ASSY-OUTBD SLAT NO. 3 WING LE (LH)	FM	RF
-2U	114T4103-409G		STRUCTURE ASSY-OUTBD SLAT NO. 3 WING LE (LH)	FQ	RF
-2V	114T4103-411G		STRUCTURE ASSY-OUTBD SLAT NO. 3 WING LE (LH)	FR	RF
R -2W	114T4103-57G		STRUCTURE ASSY-OUTBD SLAT NO. 3 WING LE (LH)	FC	RF
R -2X	114T4103-59G		STRUCTURE ASSY-OUTBD SLAT NO. 3 WING LE (LH)	FD	RF

57-43-51

FIG. & ITEM	PART NO.	AIRLINE PART NUMBER	NOMENCLATURE 1234567	EFF CODE	QTY PER ASSY
R 04- -2Y	114T4103-401G		STRUCTURE ASSY-OUTBD SLAT NO. 3 WING LE (LH)	FG	RF
-3	114T4103-30		STRUCTURE ASSY-OUTBD SLAT NO. 10 WING LE (VARIABLE) (RH) (PRE SB 767-57A0057)	S	RF
-3A	114T4103-32		DELETED		
-3B	114T4103-32SP		STRUCTURE ASSY-OUTBD SLAT NO. 10 WING LE (RH) (POST SB 757-32-0107) (PRE SB 767-57A0057)	T	RF
-3C	114T4103-28		STRUCTURE ASSY-OUTBD SLAT NO. 10 WING LE (VARIABLE) (RH) (PRE SB 767-57A0057)	R	RF
-3D	114T4103-38SP		STRUCTURE ASSY-OUTBD SLAT NO. 10 WING LE (RH) (POST SB 757-32-0107) (PRE SB 767-57A0057)	U	RF
-3E	114T4103-40		STRUCTURE ASSY-OUTBD SLAT NO. 10 WING LE (VARIABLE) (RH) (PRE SB 767-57A0057)	V	RF
-3F	114T4103-42		STRUCTURE ASSY-OUTBD SLAT NO. 10 WING LE (RH) (POST SB 757-32-0107) (PRE SB 767-57A0057)	W	RF
-3G	114T4103-44		DELETED		
-3H	114T4103-46		STRUCTURE ASSY-OUTBD SLAT NO. 10 WING LE (VARIABLE) (RH) (PRE SB 767-57A0057)	AA	RF
-3J	114T4103-48		STRUCTURE ASSY-OUTBD SLAT NO. 10 WING LE (VARIABLE) (RH) (PRE SB 767-57A0057)	AB	RF
-3K	114T4103-50		STRUCTURE ASSY-OUTBD SLAT NO. 10 WING LE (RH) (PRE SB 767-57A0057)	AF	RF
-3L	114T4103-52		STRUCTURE ASSY-OUTBD SLAT NO. 10 WING LE (VARIABLE) (RH) (PRE SB 767-57A0057)	AH	RF
-3M	114T4103-54		STRUCTURE ASSY-OUTBD SLAT NO. 10 WING LE (RH)	X	RF

57-43-51

 ILLUSTRATED PARTS LIST
 01.1 Page 1082
 Mar 01/04

FIG. & ITEM	PART NO.	AIRLINE PART NUMBER	NOMENCLATURE 1234567	EFF CODE	QTY PER ASSY
04-			DELETED		
-3N	114T4103-56		STRUCTURE ASSY-OUTBD SLAT	EC	RF
-3P	015T1507-320		NO. 10 WING LE (RH) (POST SB 767-57A0057)		
-3Q	015T1507-362		STRUCTURE ASSY-OUTBD SLAT	ED	RF
			NO. 10 WING LE (RH) (POST SB 767-57A0057)		
-3R	015T1507-322		STRUCTURE ASSY-OUTBD SLAT	EE	RF
			NO. 10 WING LE (RH) (POST SB 767-57A0057)		
-3S	015T1507-364		STRUCTURE ASSY-OUTBD SLAT	EF	RF
			NO. 10 WING LE (RH) (POST SB 767-57A0057)		
-3T	015T1507-324		STRUCTURE ASSY-OUTBD SLAT	EG	RF
			NO. 10 WING LE (RH) (POST SB 767-57A0057)		
-3U	015T1507-366		STRUCTURE ASSY-OUTBD SLAT	EH	RF
			NO. 10 WING LE (RH) (POST SB 767-57A0057)		
-3V	015T1507-326		STRUCTURE ASSY-OUTBD SLAT	EJ	RF
			NO. 10 WING LE (RH) (POST SB 767-57A0057)		
-3W	015T1507-328		STRUCTURE ASSY-OUTBD SLAT	EK	RF
			NO. 10 WING LE (RH) (POST SB 767-57A0057)		
-3X	015T1507-330		STRUCTURE ASSY-OUTBD SLAT	EL	RF
			NO. 10 WING LE (RH) (POST SB 767-57A0057)		
-3Y	015T1507-368		STRUCTURE ASSY-OUTBD SLAT	EM	RF
			NO. 10 WING LE (RH) (POST SB 767-57A0057)		
-3Z	015T1507-370		STRUCTURE ASSY-OUTBD SLAT	EN	RF
			NO. 10 WING LE (RH) (POST SB 767-57A0057)		
-4	015T1507-372		STRUCTURE ASSY-OUTBD SLAT	EP	RF
			NO. 10 WING LE (RH) (POST SB 767-57A0057)		
-4A	015T1507-332		STRUCTURE ASSY-OUTBD SLAT	EQ	RF
			NO. 10 WING LE (RH) (POST SB 767-57A0057)		
-4B	015T1507-374		STRUCTURE ASSY-OUTBD SLAT	ER	RF
			NO. 10 WING LE (RH) (POST SB 767-57A0057)		

57-43-51

FIG. & ITEM	PART NO.	AIRLINE PART NUMBER	NOMENCLATURE 1234567	EFF CODE	QTY PER ASSY
04- -4C	015T1507-334		STRUCTURE ASSY-OUTBD SLAT NO. 10 WING LE (RH) (POST SB 767-57A0057)	ES	RF
-4D	015T1507-376		STRUCTURE ASSY-OUTBD SLAT NO. 10 WING LE (RH) (POST SB 767-57A0057)	ET	RF
-4E	015T1507-336		STRUCTURE ASSY-OUTBD SLAT NO. 10 WING LE (RH) (POST SB 767-57A0057)	EU	RF
-4F	015T1507-378		STRUCTURE ASSY-OUTBD SLAT NO. 10 WING LE (RH) (POST SB 767-57A0057)	EV	RF
-4G	015T1507-338		STRUCTURE ASSY-OUTBD SLAT NO. 10 WING LE (RH) (POST SB 767-57A0057)	EW	RF
-4H	015T1507-380		STRUCTURE ASSY-OUTBD SLAT NO. 10 WING LE (RH) (POST SB 767-57A0057)	EX	RF
-4J	015T1507-340		STRUCTURE ASSY-OUTBD SLAT NO. 10 WING LE (RH) (POST SB 767-57A0057)	EY	RF
-4K	015T1507-382		STRUCTURE ASSY-OUTBD SLAT NO. 10 WING LE (RH) (POST SB 767-57A0057)	EZ	RF
-4L	015T1507-342		STRUCTURE ASSY-OUTBD SLAT NO. 10 WING LE (RH) (POST SB 767-57A0057)	FA	RF
-4M	015T1507-384		STRUCTURE ASSY-OUTBD SLAT NO. 10 WING LE (RH) (POST SB 767-57A0057)	FB	RF
-4N	114T4103-58SP		DELETED		
-4P	114T4103-60SP		DELETED		
-4Q	114T4103-402SP		DELETED		
-4R	114T4103-404G		STRUCTURE ASSY-OUTBD SLAT NO. 10 WING LE (RH)	FK	RF
-4S	114T4103-406G		STRUCTURE ASSY-OUTBD SLAT NO. 10 WING LE (RH)	FN	RF
-4T	114T4103-408G		STRUCTURE ASSY-OUTBD SLAT NO. 10 WING LE (RH)	FP	RF
-4U	114T4103-410G		STRUCTURE ASSY-OUTBD SLAT NO. 10 WING LE (RH)	FS	RF
-4V	114T4103-410G		STRUCTURE ASSY-OUTBD SLAT NO. 10 WING LE (RH)	FT	RF
R -4W	114T4103-412G		STRUCTURE ASSY-OUTBD SLAT NO. 10 WING LE (RH)	FT	RF

57-43-51

 ILLUSTRATED PARTS LIST
 01.1 Page 1082B
 Mar 01/04

FIG. & ITEM	PART NO.	AIRLINE PART NUMBER	NOMENCLATURE 1234567	EFF CODE	QTY PER ASSY
R 04-4X	114T4103-58G		STRUCTURE ASSY-OUTBD SLAT NO. 10 WING LE (RH)	FE	RF
R -4Y	114T4103-60G		STRUCTURE ASSY-OUTBD SLAT NO. 10 WING LE (RH)	FF	RF
R -4Z	114T4103-402G		STRUCTURE ASSY-OUTBD SLAT NO. 10 WING LE (RH)	FH	RF
5	BACB30NT3K7		.BOLT	E-L, R-AB, AE-AH ,DC-F K	55
-5A	114T4103-32		DELETED		
5L	BACB30NN3K8		.BOLT	L,X, FC-FT	2
5T	BACB30NN3K9		.BOLT	L,X, FC-FT	2
6	BACB30NT3K7		.BOLT	E-K, R-W, Y-AB, AE-AH ,DC- FB	4
7	AN960PD10L		.WASHER	E-K, R-W, Y-AB, AE-AH ,DC- FB	55
-7A	NAS1149D0316J		.WASHER	L,X, FC-FT	55
7L	NAS1149D0332J		.WASHER	L,X, FC-FT	1
7T	AN960PD10L		.WASHER	E-K, R-W, Y-AB, AE-AH ,DC- FB	6

57-43-51

FIG. & ITEM	PART NO.	AIRLINE PART NUMBER	NOMENCLATURE 1234567	EFF CODE	QTY PER ASSY
04-9	H10-3BAC		.NUT- (V15653) (SPEC BACN10JC3) (OPT NS202101-02 (V80539)) (OPT RMLH9075-3W (V72962)) (OPT T6S1032J (V71087)) (OPT VN303A02 (V92215)) (OPT 96-02 (V80539)) (OPT BRH10A3 (V52828))	E-K, R-W, Y-AB, AE-AH ,DC- FB	2
9L	BRH10C3D		.NUT- (V52828) (SPEC BACN10JC3CD) (OPT T6C1032JCD (V11815)) (OPT NS202486-02 (V80539)) (OPT 102LH9075-3W (V72962)) (OPT H51650-3BAC (V15653))	L,X, FC-FT	2
10	BACC10DK4		.CLAMP	L,X, FC-FT	4
11	114T4233-32		.RETAINER	E-L, R-AB, AE-AG ,DC-F T	55
11L	114T4233-32		.RETAINER	E-K, R-W, Y-AB, AE-AH ,DC- FB	4

57-43-51

ILLUSTRATED PARTS LIST
01.1 Page 1082D
Mar 01/04

FIG. & ITEM	PART NO.	AIRLINE PART NUMBER	NOMENCLATURE 1234567	EFF CODE	QTY PER ASSY
04-					
12	256T2931-3		DELETED		
12A	256T2931-9		.GUIDE-CABLE	L,X, FC-FP	1
12D	114T4233-33		.RETAINER-BULB SEAL	FQ-FT	1
12L	256T2931-4		DELETED		
12M	256T2931-10		.GUIDE-CABLE	L,X, FC-FP	1
12S	114T4233-33		.RETAINER-BULB SEAL	FQ-FT	1
13	114T4232-13		.SEAL-BULB (MFD FROM EXTRA RUBBER F25.01 10-60754-319 47.50 IN.)	E-L,Y ,Z,AE ,AG, DC-EB ,FC, FD FG,FJ ,FL,F M,FQ, FR	1
-15	114T4232-14		.SEAL-BULB (MFD FROM EXTR RUBBER F25.01 10-60754-319 47.50 IN.)	R-X,A A,AB, AF,AH ,EC- FB,FE FF,FH ,FK,F N,FP, FS,FT	1
17	114T4232-15		.SEAL-BULB (MFD FROM EXTR RUBBER F25.01 10-60754-319 58.00 IN.)	E-L,Y ,Z,AE ,AG, DC-EB ,FC, FD FG,FJ ,FL,F M,FQ, FR	1

57-43-51

FIG. & ITEM	PART NO.	AIRLINE PART NUMBER	NOMENCLATURE 1234567	EFF CODE	QTY PER ASSY
04- -19	114T4232-16		.SEAL-BULB (MFD FROM EXTR RUBBER F25.01 10-60754-319 58.00 IN.)	R-X,A A,AB, AF,AH ,EC- FB,FE FF,FH ,FK,F N,FP, FS,FT E-L,Y	1
21	114T4232-17		.SEAL-BULB (MFD FROM EXTR RUBBER F25.01 10-60754-319 47.50 IN.)	,Z,AE ,AG, DC-EB ,FC, FD FG,FJ ,FL,F M,FQ, FR	1
-23	114T4232-18		.SEAL-BULB (MFD FROM EXTR RUBBER F25.01 10-60754-319 47.50 IN.)	R-X,A A,AB, AF,AH ,EC- FB,FE FF,FH ,FK,F N,FP, FS,FT	1
25	BACF3F009E179NN		.FILLER	E-L, R-AB, AE-AH ,DC-F T	2

57-43-51

 ILLUSTRATED PARTS LIST
 01.1 Page 1082F
 Mar 01/04

FIG. & ITEM	PART NO.	AIRLINE PART NUMBER	NOMENCLATURE 1234567	EFF CODE	QTY PER ASSY
04-27	BACF3F009E080NN		.FILLER	E-L, R-AB, AE-AH ,DC-F T	2
29	BACF3F009E200NN		.FILLER	E-L, R-AB, AE-AH ,DC-F T	1
31	BACR15BA3AD		.RIVET- (SIZE DETERMINE ON INST) (NHA 114T4103)	E-L, R-AB, AE-AH ,DC-F T	114
33	BACN10JQ32		.NUTPLATE	E-K, R-W, Y-AB, AE-AH ,DC- FB	55
-33A	MF19058-3-2BAC		.NUTPLATE- (V15653) (SPEC BACN10YF32)	L,X, FC-FT	55
35	NS103225-02		.NUTPLATE- (V80539) (SPEC BACN10KH3) (OPT RMF9209M3 (V72962)) (OPT F29779-3 (V15653))	E-L, R-AB, AE-AH ,DC-F T	2
37	BACB30NT3K3		.BOLT	E-L, R-AB, AE-AH ,DC-F T	2

57-43-51

FIG. & ITEM	PART NO.	AIRLINE PART NUMBER	NOMENCLATURE 1234567	EFF CODE	QTY PER ASSY
04-39	BACB30NT3K4		.BOLT	E-L, R-AB, AE-AH ,DC-F T	8
41	BACB30NN3K4		.BOLT	E-L, R-AB, AE-AH ,DC-F T	2
43	AN960PD10L		.WASHER	E-K, R-W, Y-AB, AE-AH ,DC- FB	22
-43A	NAS1149D0332J		.WASHER	L,X, FC-FT	22
45	H10-3BAC		.NUT- (V15653) (SPEC BACN10JC3) (OPT NS202101-02 (V80539)) (OPT RMLH9075-3W (V72962)) (OPT T6S1032J (V71087)) (OPT VN303A02 (V92215)) (OPT 96-02 (V80539)) (OPT BRH10A3 (V52828))	E-K, R-W, Y-AB, AE-AH ,DC- FB	12
-45A	BRH10C3D		.NUT- (V52828) (SPEC BACN10JC3CD) (OPT T6C1032JCD (V11815)) (OPT NS202486-02 (V80539)) (OPT 102LH9075-3W (V72962)) (OPT H51650-3BAC (V15653))	L,X, FC-FT	12

57-43-51

 ILLUSTRATED PARTS LIST
 01.1 Page 1082H
 Mar 01/04

FIG. & ITEM	PART NO.	AIRLINE PART NUMBER	NOMENCLATURE 1234567	EFF CODE	QTY PER ASSY
04-47	114T4233-31		.RETAINER-SEAL	E-L, R-AB, AE-AH ,DC-F T	2
49	114T4234-11		.SEAL-BULB (MFD FROM EXTR RUBBER F25.01 10-60754-15 1.50 IN.)	E-L, R-AB, AE-AH ,DC-F T	1
51	114T4234-12		.SEAL-BULB (MFD FROM EXTR RUBBER F25.01 10-60754-15 1.50 IN.)	E-L, R-AB, AE-AH ,DC-F T	1
53	114T4235-2		.RETAINER-SEAL	E-L, R-AB, AE-AH ,DC-F T	1
55	114T4234-5		.SEAL-BULB (MFD FROM EXTR RUBBER F25.01 10-60754-15 9.50 IN.)	E-L,Y ,Z,AE ,AG, DC-EB ,FC, FD FG,FJ ,FL,F M,FQ, FR	1

57-43-51

ILLUSTRATED PARTS LIST
 01.1 Page 1082I
 Mar 01/04

FIG. & ITEM	PART NO.	AIRLINE PART NUMBER	NOMENCLATURE 1234567	EFF CODE	QTY PER ASSY
04-57	114T4234-6		.SEAL-BULB (MFD FROM EXTR RUBBER F25.01 10-60754-15 9.50 IN.)	R-X,A A,AB, AF,AH ,EC- FB,FE FF,FH ,FK,F N,FP, FS,FT	1
59	114T4235-3		.RETAINER-SEAL	E-L, R-AB, AE-AH ,DC-F T	1
61	114T4234-3		.SEAL-BULB (MFD FROM EXTR RUBBER F25.01 10-60754-15 10.20 IN.)	E-L,Y ,Z,AE ,AG, DC-EB ,FC, FD FG,FJ ,FL,F M,FQ, FR	1
-63	114T4234-4		.SEAL-BULB (MFD FROM EXTR RUBBER F25.01 10-60754-15 10.20 IN.)	R-X,A A,AB, AF,AH ,EC- FB,FE FF,FH ,FK,F N,FP, FS,FT	1

57-43-51

 ILLUSTRATED PARTS LIST
 01.1 Page 1082J
 Mar 01/04

FIG. & ITEM	PART NO.	AIRLINE PART NUMBER	NOMENCLATURE 1234567	EFF CODE	QTY PER ASSY
04-65	114T4224-3		.SEAL-MOLDED BULB	E-K, R-W, Y-AB, AE-AH ,DC- FB	1
-65A	114T4224-8		.SEAL-MOLDED BULB	L,X, FC-FT	1
67	114T4236-3		.SEAL-SPONGE (MFD FROM SH SPONGE RUBBER BMS1-23 20.60 IN. 1.00 IN. 2.60 IN.)	E-K, R-W, Y-AB, DC-DX ,EC-E X	1
-67A	114T4236-9		.SEAL-SPONGE (MFD FROM SH SPONGE RUBBER BMS1-23 0.60 IN 1.00 IN 2.20 IN)	L,X,A E-AH, DY-EB ,EY-F T	1
69	114T4224-4		.SEAL-MOLDED BULB	E-K, R-W, Y-AB, AE-AH ,DC- FB	1
-69A	114T4224-9		.SEAL-MOLDED BULB	L,X, FC-FT	1
71	114T4236-4		.SEAL-SPONGE (MFD FROM SH SPONGE RUBBER BMS1-23 20.73 IN. 1.00 IN. 3.10 IN.)	E-K, R-W, Y-AB, DC-DX ,EC-E X	1
-71A	114T4236-10		.SEAL-SPONGE (MFD FROM SH SPONGE RUBBER BMS1-23 0.73 IN 1.00 IN 2.75 IN)	L,X,A E-AH, DY-EB ,EY-F T	1

57-43-51

FIG. & ITEM	PART NO.	AIRLINE PART NUMBER	NOMENCLATURE 1234567	EFF CODE	QTY PER ASSY
04-73	BACB30NU3K4		.BOLT	E-K, R-W, Y-AB, AE-AH ,DC- FB	2
-73A	BACB30VF3K4		.BOLT	L,X, FC-FT	2
75	BACR15CE5KE		.RIVET- (SIZE DETERMINE ON INST)	E-L, R-AB, AE-AH ,DC-F T	16
77	114T4225-5		.RETAINER-SEAL	E-L, R-AB, AE-AH ,DC-F T	1
79	114T4225-6		.RETAINER-SEAL	E-L, R-AB, AE-AH ,DC-F T	1
81	BACR15BA3AD		.RIVET- (SIZE DETERMINE ON INST)	E-L, R-AB, AE-AH ,DC-F T	4
83	BACN10JQ32		.NUTPLATE	E-K, R-W, Y-AB, AE-AH ,DC- FB	2
-83A	MF19058-3-2BAC		.NUTPLATE- (V15653) (SPEC BACN10YF32)	L,X, FC-FT	2
85	114T4226-2		.SEAL-WEDGE	E-L, R-AB, AE-AH ,DC-F T	2

57-43-51

 ILLUSTRATED PARTS LIST
 01.1 Page 1082L
 Mar 01/04

FIG. & ITEM	PART NO.	AIRLINE PART NUMBER	NOMENCLATURE 1234567	EFF CODE	QTY PER ASSY
04-87	114T4242-9		.RETAINER	E-L, R-AB, AE-AH ,DC-F T	1
89	114T4242-10		.RETAINER	E-L, R-AB, AE-AH ,DC-F T	1
91	BACB30NN3K6		.BOLT	E-L, R-AB, AE-AH ,DC-F T	2
93	AN960PD10L		.WASHER	E-K, R-W, Y-AB, AE-AH ,DC- FB	2
-93A	NAS1149D0332J		.WASHER	L,X, FC-FT	2
95	H10-3BAC		.NUT- (V15653) (SPEC BACN10JC3) (OPT NS202101-02 (V80539)) (OPT RMLH9075-3W (V72962)) (OPT T6S1032J (V71087)) (OPT VN303A02 (V92215)) (OPT 96-02 (V80539)) (OPT BRH10A3 (V52828))	E-K, R-W, Y-AB, AE-AH ,DC- FB	2

57-43-51

FIG. & ITEM	PART NO.	AIRLINE PART NUMBER	NOMENCLATURE 1234567	EFF CODE	QTY PER ASSY
04- -95A	BRH10C3D		.NUT- (V52828) (SPEC BACN10JC3CD) (OPT T6C1032JCD (V11815)) (OPT NS202486-02 (V80539)) (OPT 102LH9075-3W (V72962)) (OPT H51650-3BAC (V15653))	L,X, FC-FT	2
97	114T4235-8		.RETAINER	E-L, R-AB, AE-AH ,DC-F T	1
99	114T4237-9		.SEAL	E-L,Y ,Z,AE ,AG, DC-EB ,FC, FD FG,FJ ,FL,F M,FQ, FR	1
-101	114T4237-10		.SEAL	R-X,A A,AB, AF,AH ,EC- FB,FE FF,FH ,FK,F N,FP,	1

57-43-51

ILLUSTRATED PARTS LIST
01.1 Page 1082N
Mar 01/04

015T0165
 015T1507
 114T4103
 DASH NUMBERS LIMITED

 **BOEING**
 COMPONENT
 MAINTENANCE MANUAL

FIG. & ITEM	PART NO.	AIRLINE PART NUMBER	NOMENCLATURE 1234567	EFF CODE	QTY PER ASSY
04- 103	BACB30NN3K5		.BOLT	FS,FT E-L, R-AB, AE-AH ,DC-F T	4
105	BACB30NN3K4		.BOLT	E-L, R-AB, AE-AH ,DC-F T	25
107	BACR15BA3AD		.RIVET- (SIZE DETERMINE ON INST)	E-L, R-AB, AE-AH ,DC-F T	10
109	BRFM20A3		.NUTPLATE- (V52828) (SPEC BACN10JN3) (OPT MF1000-3BAC (V15653)) (OPT NS103218-02 (V80539)) (OPT RMF9201M3 (V72962)) (OPT VN252A02 (V92215)) (OPT MF1000-3BAC (V15653)) (OPT MF53049-3 (V15653))	E-L, R-AB, AE-AH ,DC-F T	5

57-43-51

ILLUSTRATED PARTS LIST
 01.1 Page 10820
 Mar 01/04

FIG. & ITEM	PART NO.	AIRLINE PART NUMBER	NOMENCLATURE 1234567	EFF CODE	QTY PER ASSY
04-111	114T4231-46		.RETAINER ASSY	E-L, R-AB, AE-AH ,DC-F T	1
113	114T4231-50		.RETAINER ASSY	E-L, R-AB, AE-AH ,DC-F T	1
115	114T4231-54		.RETAINER ASSY	E-L, R-AB, AE-AH ,DC-F T	1
117	BACR15BA3AD		..RIVET- (SIZE DETERMINE ON INST)	E-L, R-AB, AE-AH ,DC-F T	24
119	BRFM20A3		..NUTPLATE- (V52828) (SPEC BACN10JN3) (OPT MF1000-3BAC (V15653)) (OPT NS103218-02 (V80539)) (OPT RMF9201M3 (V72962)) (OPT VN252A02 (V92215)) (OPT MF1000-3BAC (V15653)) (OPT MF53049-3 (V15653))	E-L, R-AB, AE-AH ,DC-F T	12

57-43-51

ILLUSTRATED PARTS LIST
01.1 Page 1082P
Mar 01/04

FIG. & ITEM	PART NO.	AIRLINE PART NUMBER	NOMENCLATURE 1234567	EFF CODE	QTY PER ASSY
04-121	114T4231-2		..RETAINER- (USED ON ITEM 111)	E-L, R-AB, AE-AH ,DC-F T	1
123	114T4231-6		..RETAINER- (USED ON ITEM 113)	E-L, R-AB, AE-AH ,DC-F T	1
125	114T4231-10		..RETAINER- (USED ON ITEM 115)	E-L, R-AB, AE-AH ,DC-F T	1
127	114T4231-14		.RETAINER	E-L, R-AB, AE-AH ,DC-F T	1
129	114T4230-2		.SEAL-WEATHER (MFD FROM SH RUBBER BMS1-50 TYPE II GRADE 60 F25.01 0.094 IN. 1.25 IN. 7.20 IN.)	E-L, R-AB, AE-AH ,DC-F T	1
131	114T4230-6		.SEAL-WEATHER (MFD FROM SH RUBBER BMS1-50 TYPE II GRADE 60 F25.01 0.094 IN. 1.25 IN. 7.50 IN.)	E-L, R-AB, AE-AH ,DC-F T	1

57-43-51

ILLUSTRATED PARTS LIST
 01.1 Page 1082Q
 Mar 01/04

FIG. & ITEM	PART NO.	AIRLINE PART NUMBER	NOMENCLATURE 1234567	EFF CODE	QTY PER ASSY
04-133	114T4230-10		.SEAL-WEATHER (MFD FROM SH RUBBER BMS1-50 TYPE II GRADE 60 F25.01 0.094 IN. 1.25 IN. 3.95 IN.)	E-L, R-AB, AE-AH ,DC-F T	1
135	114T4230-14		.SEAL-WEATHER (MFD FROM SH RUBBER BMS1-50 TYPE II GRADE 60 F25.01 0.094 IN. 1.25 IN. 2.85 IN.)	E-L, R-AB, AE-AH ,DC-F T	1
137	114T4231-47		.RETAINER ASSY	E-L, R-AB, AE-AH ,DC-F T	1
139	114T4231-51		.RETAINER ASSY	E-L, R-AB, AE-AH ,DC-F T	1
141	114T4231-55		.RETAINER ASSY	E-L, R-AB, AE-AH ,DC-F T	1
143	BACR15BA3AD		..RIVET- (SIZE DETERMINE ON INST)	E-L, R-AB, AE-AH ,DC-F T	24

57-43-51

 ILLUSTRATED PARTS LIST
 01.1 Page 1082R
 Mar 01/04

FIG. & ITEM	PART NO.	AIRLINE PART NUMBER	NOMENCLATURE 1234567	EFF CODE	QTY PER ASSY
04-145	BRFM20A3		..NUTPLATE- (V52828) (SPEC BACN10JN3) (OPT MF1000-3BAC (V15653)) (OPT NS103218-02 (V80539)) (OPT RMF9201M3 (V72962)) (OPT VN252A02 (V92215)) (OPT MF1000-3BAC (V15653)) (OPT MF53049-3 (V15653))	E-L, R-AB, AE-AH ,DC-F T	12
147	114T4231-3		..RETAINER- (USED ON ITEM 137)	E-L, R-AB, AE-AH ,DC-F T	1
149	114T4231-7		..RETAINER- (USED ON ITEM 139)	E-L, R-AB, AE-AH ,DC-F T	1
151	114T4231-11		..RETAINER- (USED ON ITEM 141)	E-L, R-AB, AE-AH ,DC-F T	1

57-43-51

ILLUSTRATED PARTS LIST
01.1 Page 1082S
Mar 01/04

FIG. & ITEM	PART NO.	AIRLINE PART NUMBER	NOMENCLATURE 1234567	EFF CODE	QTY PER ASSY
04-153	114T4231-15		.RETAINER-SEAL	E-L, R-AB, AE-AH ,DC-F T	1
155	114T4230-3		.SEAL-WEATHER (MFD FROM SH RUBBER BMS1-50 TYPE II GRADE 60 F25.01 7.45 IN.)	E-L, R-AB, AE-AH ,DC-F T	1
157	114T4230-7		.SEAL-WEATHER (MFD FROM SH RUBBER BMS1-50 TYPE II GRADE 60 F25.01 7.90 IN.)	E-L, R-AB, AE-AH ,DC-F T	1
159	114T4230-11		.SEAL-WEATHER (MFD FROM SH RUBBER BMS1-50 TYPE II GRADE 60 F25.01 5.00 IN.)	E-L, R-AB, AE-AH ,DC-F T	1
161	114T4230-15		.SEAL-WEATHER (MFD FROM SH RUBBER BMS1-50 TYPE II GRADE 60 F25.01 1.70 IN.)	E-L, R-AB, AE-AH ,DC-F T	1
163	BACB30NU3K4		.BOLT	E-K, R-W, Y-AB, AE-AH ,DC- FB	10
-163A	BACB30VF3K4		.BOLT	L,X, FC-FT	10

57-43-51

 ILLUSTRATED PARTS LIST
 01.1 Page 1082T
 Mar 01/04

FIG. & ITEM	PART NO.	AIRLINE PART NUMBER	NOMENCLATURE 1234567	EFF CODE	QTY PER ASSY
04-165	BACB30NU3K5		.BOLT	E-K, R-W, Y-AB, AE-AH ,DC- FB	1
-165A	BACB30VF3K5		.BOLT	L,X, FC-FT	1
167	BACB30NT3K2		.BOLT	E-L, R-AB, AE-AH ,DC-F T	3
169	BACB30NT3K3		.BOLT	E-L, R-AB, AE-AH ,DC-F T	17
171	BACB30NT3K5		.BOLT	E-L, R-AB, AE-AH ,DC-F T	1
173	BACR15FT5AD		.RIVET- (SIZE DETERMINE ON INST)	E-L, R-AB, AE-AH ,DC-F T	7
175	114T4263-1		.PANEL-COVE	E-L,Y ,Z,AE ,AG, DC-EB ,FC, FD FG,FJ ,FL,F M,FQ, FR	1

57-43-51

ILLUSTRATED PARTS LIST
 01.1 Page 1082U
 Mar 01/04

FIG. & ITEM	PART NO.	AIRLINE PART NUMBER	NOMENCLATURE 1234567	EFF CODE	QTY PER ASSY
04- -177	114T4263-2		.PANEL-COVE	R-X,A A,AB, AF,AH ,EC- FB,FE FF,FH ,FK,F N,FP, FS,FT	1
179	BACR15BA3AD		.RIVET- (SIZE DETERMINE ON INST)	E-L, R-AB, AE-AH ,DC-F T	52
181	BACN10JQ32		.NUTPLATE	E-K, R-W, Y-AB, AE-AH ,DC- FB	24
-181A	MF19058-3-2BAC		.NUTPLATE- (V15653) (SPEC BACN10YF32)	L,X, FC-FT	24
183	NS103225-02		.NUTPLATE- (V80539) (SPEC BACN10KH3) (OPT RMF9209M3 (V72962)) (OPT F29779-3 (V15653))	E-L, R-AB, AE-AH ,DC-F T	1

57-43-51

 ILLUSTRATED PARTS LIST
 01.1 Page 1082V
 Mar 01/04

015T0165
 015T1507
 114T4103
 DASH NUMBERS LIMITED

 **BOEING**
 COMPONENT
 MAINTENANCE MANUAL

FIG. & ITEM	PART NO.	AIRLINE PART NUMBER	NOMENCLATURE 1234567	EFF CODE	QTY PER ASSY
04-185	BACB30NN3K6		.BOLT	E-L, R-AB, AE-AH ,DC-F T	18
187	BACB30NT3K7		.BOLT	E-L, R-AB, AE-AH ,DC-F T	77
189	114T4263-25		.PANEL-COVE	E-L,Y ,Z,AE ,AG, DC-EB ,FC, FD FG,FJ ,FL,F M,FQ, FR	1
-191	114T4263-26		.PANEL-COVE	R-X,A A,AB, AF,AH ,EC- FB,FE FF,FH ,FK,F N,FP, FS,FT	1

57-43-51

ILLUSTRATED PARTS LIST
 01.1 Page 1082W
 Mar 01/04

FIG. & ITEM	PART NO.	AIRLINE PART NUMBER	NOMENCLATURE 1234567	EFF CODE	QTY PER ASSY
04-193	114T4110-37		.STIFFENER-COVE PNL	E-L, R-AB, AE-AH ,DC-F T	1
195	BACR15BA5AD		.RIVET- (SIZE DETERMINE ON INST)	E-L, R-AB, AE-AH ,DC-F T	2
197	114T4110-39		.STIFFENER-COVE PNL	E-L,Y ,Z,AE ,AG, DC-EB ,FC, FD FG,FJ ,FL,F M,FQ, FR	1
-199	114T4110-40		.STIFFENER-COVE PNL	R-X,A A,AB, AF,AH ,EC- FB,FE FF,FH ,FK,F N,FP, FS,FT	1
201	BACR15BA3AD		.RIVET- (SIZE DETERMINE ON INST)	E-L, R-AB, AE-AH ,DC-F T	114

57-43-51

 ILLUSTRATED PARTS LIST
 01.1 Page 1082X
 Mar 01/04

FIG. & ITEM	PART NO.	AIRLINE PART NUMBER	NOMENCLATURE 1234567	EFF CODE	QTY PER ASSY
04-203	BRFM22A3-3		.NUTPLATE- (V52828) (SPEC BACN10JQ33) (OPT MF19058-3-3BAC (V15653))	E-K, R-W, Y-AB, AE-AH ,DC- FB	3
-203A	MF19058-3-3BAC		.NUTPLATE- (V15653) (SPEC BACN10YF33)	L,X, FC-FT	3
205	BRFM22A4-3		.NUTPLATE- (V52828) (SPEC BACN10JQ34) (OPT MF19058-3-4BAC (V15653))	E-K, R-W, Y-AB, AE-AH ,DC- FB	13
-205A	MF19058-3-4BAC		.NUTPLATE- (V15653) (SPEC BACN10YF34)	L,X, FC-FT	13
207	BRFM22A5-3		.NUTPLATE- (V52828) (SPEC BACN10JQ35) (OPT MF19058-3-5BAC (V15653))	E-K, R-W, Y-AB, AE-AH ,DC- FB	27
-207A	MF19058-3-5BAC		.NUTPLATE- (V15653) (SPEC BACN10YF35)	L,X, FC-FT	27
209	BACN10JQ36		.NUTPLATE	E-K, R-W, Y-AB, AE-AH ,DC- FB	10
-209A	MF19058-3-6BAC		.NUTPLATE- (V15653) (SPEC BACN10YF36)	L,X, FC-FT	10
211	NS103225-02		.NUTPLATE- (V80539) (SPEC BACN10KH3) (OPT RMF9209M3 (V72962)) (OPT F29779-3 (V15653))	E-L, R-AB, AE-AH ,DC-F T	4

57-43-51

ILLUSTRATED PARTS LIST
01.1 Page 1082Y
Mar 01/04

FIG. & ITEM	PART NO.	AIRLINE PART NUMBER	NOMENCLATURE 1234567	EFF CODE	QTY PER ASSY
04-213	BACB30NU3K5		.BOLT	E-K, R-W, Y-AB, AE-AH ,DC- FB	8
-213A	BACB30VF3K5		.BOLT	L,X, FC-FT	8
215	BACB30NT3K3		.BOLT	E-L, R-AB, AE-AH ,DC-F T	2
217	BACB30NT3K5		.BOLT	E-L, R-AB, AE-AH ,DC-F T	8
219	AN960PD10		.WASHER	E-K, R-W, Y-AB, AE-AH ,DC- FB	6
-219A	NAS1149D0363J		.WASHER	L,X, FC-FT	6
221	H10-3BAC		.NUT- (V15653) (SPEC BACN10JC3) (OPT NS202101-02 (V80539)) (OPT RMLH9075-3W (V72962)) (OPT T6S1032J (V71087)) (OPT VN303A02 (V92215)) (OPT 96-02 (V80539)) (OPT BRH10A3 (V52828))	E-K, R-W, Y-AB, AE-AH ,DC- FB	6

57-43-51

 ILLUSTRATED PARTS LIST
 01.1 Page 1082Z
 Mar 01/04

FIG. & ITEM	PART NO.	AIRLINE PART NUMBER	NOMENCLATURE 1234567	EFF CODE	QTY PER ASSY
04- -221A	BRH10C3D		.NUT- (V52828) (SPEC BACN10JC3CD) (OPT T6C1032JCD (V11815)) (OPT NS202486-02 (V80539)) (OPT 102LH9075-3W (V72962)) (OPT H51650-3BAC (V15653))	L,X, FC-FT	6
223	BACR15FT6AD		.RIVET- (SIZE DETERMINE ON INST)	E-L, R-AB, AE-AH ,DC-F T	31
225	114T4263-21		.PANEL-COVE	E-L,Y ,Z,AE ,AG, DC-EB ,FC, FD FG,FJ ,FL,F M,FQ, FR	1
-227	114T4263-22		.PANEL-COVE	R-X,A A,AB, AF,AH ,EC- FB,FE FF,FH ,FK,F N,FP,	1

57-43-51

FIG. & ITEM	PART NO.	AIRLINE PART NUMBER	NOMENCLATURE 1234567	EFF CODE	QTY PER ASSY
04- 229	114T4110-41		.STIFFENER-COVE PNL	FS,FT E-L, R-AB, AE-AH ,DC-F T	1
231	BACR15BA3AD		.RIVET- (SIZE DETERMINE ON INST)	E-L, R-AB, AE-AH ,DC-F T	24
233	BACN10JQ32		.NUTPLATE	E-K, R-W, Y-AB, AE-AH ,DC- FB	2
-233A	MF19058-3-2BAC		.NUTPLATE- (V15653) (SPEC BACN10YF32)	L,X, FC-FT	2
235	BRFM22A3-3		.NUTPLATE- (V52828) (SPEC BACN10JQ33) (OPT MF19058-3-3BAC (V15653))	E-K, R-W, Y-AB, AE-AH ,DC- FB	4
-235A	MF19058-3-3BAC		.NUTPLATE- (V15653) (SPEC BACN10YF33)	L,X, FC-FT	4

57-43-51

 ILLUSTRATED PARTS LIST
 01.1 Page 1084
 Mar 01/04

FIG. & ITEM	PART NO.	AIRLINE PART NUMBER	NOMENCLATURE 1234567	EFF CODE	QTY PER ASSY
04-237	NS103225-02		.NUTPLATE- (V80539) (SPEC BACN10KH3) (OPT RMF9209M3 (V72962)) (OPT F29779-3 (V15653))	E-L, R-AB, AE-AH ,DC-F T	6
239	BACB30NN3K6		.BOLT	E-L, R-AB, AE-AH ,DC-F T	5
241	BACB30NT3K7		.BOLT	E-L, R-AB, AE-AH ,DC-F T	20
243	114T4263-7		.PANEL-COVE	E-L,Y ,Z,AE ,AG, DC-EB ,FC, FD FG,FJ ,FL,F M,FQ, FR	1
-245	114T4263-8		.PANEL-COVE	R-X,A A,AB, AF,AH ,EC- FB,FE FF,FH ,FK,F N,FP, FS,FT	1

57-43-51

FIG. & ITEM	PART NO.	AIRLINE PART NUMBER	NOMENCLATURE 1234567	EFF CODE	QTY PER ASSY
04-247	114T4110-43		.STIFFENER-COVE PNL	E-L, R-AB, AE-AH ,DC-F T	1
249	BACR15BA3AD		.RIVET	E-L, R-AB, AE-AH ,DC-F T	50
251	BRFM22A3-3		.NUTPLATE- (V52828) (SPEC BACN10JQ33) (OPT MF19058-3-3BAC (V15653))	E-K, R-W, Y-AB, AE-AH ,DC- FB	1
-251A	MF19058-3-3BAC		.NUTPLATE- (V15653) (SPEC BACN10YF33)	L,X, FC-FT	1
253	BRFM22A4-3		.NUTPLATE- (V52828) (SPEC BACN10JQ34) (OPT MF19058-3-4BAC (V15653))	E-K, R-W, Y-AB, AE-AH ,DC- FB	4
-253A	MF19058-3-4BAC		.NUTPLATE- (V15653) (SPEC BACN10YF34)	L,X, FC-FT	4
255	BRFM22A5-3		.NUTPLATE- (V52828) (SPEC BACN10JQ35) (OPT MF19058-3-5BAC (V15653))	E-K, R-W, Y-AB, AE-AH ,DC- FB	14

57-43-51

 ILLUSTRATED PARTS LIST
 01.1 Page 1084B
 Mar 01/04

FIG. & ITEM	PART NO.	AIRLINE PART NUMBER	NOMENCLATURE 1234567	EFF CODE	QTY PER ASSY
04- -255A	MF19058-3-5BAC		.NUTPLATE- (V15653) (SPEC BACN10YF35)	L,X, FC-FT	14
257	BACN10JQ36		.NUTPLATE	E-K, R-W, Y-AB, AE-AH ,DC- FB	6
-257A	MF19058-3-6BAC		.NUTPLATE- (V15653) (SPEC BACN10YF36)	L,X, FC-FT	6
259	BACB30NU3K5		.BOLT	E-K, R-W, Y-AB, AE-AH ,DC- FB	12
-259A	BACB30VF3K5		.BOLT	L,X, FC-FT	12
261	BACB30NN3K6		.BOLT	E-L, R-AB, AE-AH ,DC-F T	2
263	BACB30NT3K3		.BOLT	E-L, R-AB, AE-AH ,DC-F T	2

57-43-51

FIG. & ITEM	PART NO.	AIRLINE PART NUMBER	NOMENCLATURE 1234567	EFF CODE	QTY PER ASSY
04-265	BACB30NT3K5		.BOLT	E-L, R-AB, AE-AH ,DC-F T	6
267	BACR15FT5AD		.RIVET- (SIZE DETERMINE ON INST)	E-L, R-AB, AE-AH ,DC-F T	43
269	114T4302-4		.FITTING-ALIGN.	E-L, R-AB, AE-AH ,DC-F T	1
271	114T4263-9		.PANEL-COVE	E-L,Y ,Z,AE ,AG, DC-EB ,FC, FD FG,FJ ,FL,F M,FQ, FR	1
-273	114T4263-10		.PANEL-COVE	R-X,A A,AB, AF,AH ,EC- FB,FE FF,FH ,FK,F N,FP, FS,FT	1
275	114T4110-45		.STIFFENER	E-L, R-AB, AE-AH ,DC-F T	1

57-43-51

 ILLUSTRATED PARTS LIST
 01.1 Page 1084D
 Mar 01/04

FIG. & ITEM	PART NO.	AIRLINE PART NUMBER	NOMENCLATURE 1234567	EFF CODE	QTY PER ASSY
04-277	BACR15BA3AD		.RIVET- (SIZE DETERMINE ON INST)	E-L, R-AB, AE-AH ,DC-F T	28
279	BACN10JQ32		.NUTPLATE	E-K, R-W, Y-AB, AE-AH ,DC- FB	2
-279A	MF19058-3-2BAC		.NUTPLATE- (V15653) (SPEC BACN10YF32)	L,X, FC-FT	2
281	BRFM22A3-3		.NUTPLATE- (V52828) (SPEC BACN10JQ33) (OPT MF19058-3-3BAC (V15653))	E-K, R-W, Y-AB, AE-AH ,DC- FB	10
-281A	MF19058-3-3BAC		.NUTPLATE- (V15653) (SPEC BACN10YF33)	L,X, FC-FT	10
283	NS103225-02		.NUTPLATE- (V80539) (SPEC BACN10KH3) (OPT RMF9209M3 (V72962)) (OPT F29779-3 (V15653))	E-L, R-AB, AE-AH ,DC-F T	4

57-43-51

ILLUSTRATED PARTS LIST
 01.1 Page 1084E
 Mar 01/04

FIG. & ITEM	PART NO.	AIRLINE PART NUMBER	NOMENCLATURE 1234567	EFF CODE	QTY PER ASSY
04-285	BACB30NN3K6		.BOLT	E-L, R-AB, AE-AH ,DC-F T	5
287	BACB30NT3K7		.BOLT	E-L, R-AB, AE-AH ,DC-F T	20
289	114T4263-11		.PANEL-COVE	E-L,Y ,Z,AE ,AG, DC-EB ,FC, FD FG,FJ ,FL,F M,FQ, FR	1
-291	114T4263-12		.PANEL-COVE	R-X,A A,AB, AF,AH ,EC- FB,FE FF,FH ,FK,F N,FP, FS,FT	1

57-43-51

 ILLUSTRATED PARTS LIST
 01.1 Page 1084F
 Mar 01/04

FIG. & ITEM	PART NO.	AIRLINE PART NUMBER	NOMENCLATURE 1234567	EFF CODE	QTY PER ASSY
04-293	114T4110-47		.STIFFENER	E-L, R-AB, AE-AH ,DC-F T	1
295	BACR15BA3AD		.RIVET- (SIZE DETERMINE ON INST)	E-L, R-AB, AE-AH ,DC-F T	50
297	BRFM22A3-3		.NUTPLATE- (V52828) (SPEC BACN10JQ33) (OPT MF19058-3-3BAC (V15653))	E-K, R-W, Y-AB, AE-AH ,DC- FB	2
-297A	MF19058-3-3BAC		.NUTPLATE- (V15653) (SPEC BACN10YF33)	L,X, FC-FT	2
299	BRFM22A4-3		.NUTPLATE- (V52828) (SPEC BACN10JQ34) (OPT MF19058-3-4BAC (V15653))	E-K, R-W, Y-AB, AE-AH ,DC- FB	3
-299A	MF19058-3-4BAC		.NUTPLATE- (V15653) (SPEC BACN10YF34)	L,X, FC-FT	3
301	BRFM22A5-3		.NUTPLATE- (V52828) (SPEC BACN10JQ35) (OPT MF19058-3-5BAC (V15653))	E-K, R-W, Y-AB, AE-AH ,DC- FB	14
-301A	MF19058-3-5BAC		.NUTPLATE- (V15653) (SPEC BACN10YF35)	L,X, FC-FT	14

57-43-51

FIG. & ITEM	PART NO.	AIRLINE PART NUMBER	NOMENCLATURE 1234567	EFF CODE	QTY PER ASSY
04-303	BACN10JQ36		.NUTPLATE	E-K, R-W, Y-AB, AE-AH ,DC- FB	6
-303A	MF19058-3-6BAC		.NUTPLATE- (V15653) (SPEC BACN10YF36)	L,X, FC-FT	6
305	BACB30NU3K5		.BOLT	E-K, R-W, Y-AB, AE-AH ,DC- FB	8
-305A	BACB30VF3K5		.BOLT	L,X, FC-FT	8
307	BACB30NT3K3		.BOLT	E-L, R-AB, AE-AH ,DC-F T	2
309	BACB30NT3K5		.BOLT	E-L, R-AB, AE-AH ,DC-F T	8
311	AN960PD10		.WASHER	E-K, R-W, Y-AB, AE-AH ,DC- FB	6
-311A	NAS1149D0363J		.WASHER	L,X, FC-FT	6

57-43-51

 ILLUSTRATED PARTS LIST
 01.1 Page 1084H
 Mar 01/04

FIG. & ITEM	PART NO.	AIRLINE PART NUMBER	NOMENCLATURE 1234567	EFF CODE	QTY PER ASSY
04-313	H10-3BAC		.NUT- (V15653) (SPEC BACN10JC3) (OPT NS202101-02 (V80539)) (OPT RMLH9075-3W (V72962)) (OPT T6S1032J (V71087)) (OPT VN303A02 (V92215)) (OPT 96-02 (V80539)) (OPT BRH10A3 (V52828))	E-K, R-W, Y-AB, AE-AH ,DC- FB	6
-313A	BRH10C3D		.NUT- (V52828) (SPEC BACN10JC3CD) (OPT T6C1032JCD (V11815)) (OPT NS202486-02 (V80539)) (OPT 102LH9075-3W (V72962)) (OPT H51650-3BAC (V15653))	L,X, FC-FT	6
315	BACR15FT6AD		.RIVET- (SIZE DETERMINE ON INST)	E-L, R-AB, AE-AH ,DC-F T	28
315F	BACR15FT6AD		.RIVET- (SIZE DETERMINE ON INST)	E-L, R-AB, AE-AH ,DC- FB	4
315L	BACB30NT3K7		.BOLT	FC-FT	4

57-43-51

FIG. & ITEM	PART NO.	AIRLINE PART NUMBER	NOMENCLATURE 1234567	EFF CODE	QTY PER ASSY
04-316	BACR15BA3AD		.RIVET- (SIZE DETERMINE ON INST)	FC-FT	8
316L	MF19058-3-6BAC		.NUTPLATE- (V15653) (SPEC BACN10YF36)	FC-FT	4
317	114T4263-23		.PANEL-COVE	E-L, Y , Z, AE , AG, DC-EB , FC, FD FG, FJ , FL, F M, FQ, FR	1
-319	114T4263-24		.PANEL-COVE	R-X, A A, AB, AF, AH , EC- FB, FE FF, FH , FK, F N, FP, FS, FT	1
321	114T4110-49		.STIFFENER	E-L, R-AB, AE-AH , DC-F T	1

57-43-51

 ILLUSTRATED PARTS LIST
 01.1 Page 1084J
 Mar 01/04

FIG. & ITEM	PART NO.	AIRLINE PART NUMBER	NOMENCLATURE 1234567	EFF CODE	QTY PER ASSY
04-323	BACR15BA3AD		.RIVET- (SIZE DETERMINE ON INST)	E-L, R-AB, AE-AH ,DC-F T	24
325	BACN10JQ32		.NUTPLATE	E-K, R-W, Y-AB, AE-AH ,DC- FB	2
-325A	MF19058-3-2BAC		.NUTPLATE- (V15653) (SPEC BACN10YF32)	L,X, FC-FT	2
327	BRFM22A3-3		.NUTPLATE- (V52828) (SPEC BACN10JQ33) (OPT MF19058-3-3BAC (V15653))	E-K, R-W, Y-AB, AE-AH ,DC- FB	4
-327A	MF19058-3-3BAC		.NUTPLATE- (V15653) (SPEC BACN10YF33)	L,X, FC-FT	4
329	NS103225-02		.NUTPLATE- (V80539) (SPEC BACN10KH3) (OPT RMF9209M3 (V72962)) (OPT F29779-3 (V15653))	E-L, R-AB, AE-AH ,DC-F T	4
331	BACB30NN3K6		.BOLT	E-L, R-AB, AE-AH ,DC-F T	16
333	BACB30NT3K7		.BOLT	E-L, R-AB, AE-AH ,DC-F T	77

57-43-51

FIG. & ITEM	PART NO.	AIRLINE PART NUMBER	NOMENCLATURE 1234567	EFF CODE	QTY PER ASSY
04-335	114T4263-27		.PANEL-COVE	E-L,Y ,Z,AE ,AG, DC-EB ,FC, FD FG,FJ ,FL,F M,FQ, FR	1
-337	114T4263-28		.PANEL-COVE	R-X,A A,AB, AF,AH ,EC- FB,FE FF,FH ,FK,F N,FP, FS,FT	1
339	BACR15BA5AD		.RIVET- (SIZE DETERMINE ON INST)	E-L, R-AB, AE-AH ,DC-F T	2
341	114T4110-53		.STIFFENER-COVE PNL	E-L,Y ,Z,AE ,AG, DC-EB ,FC, FD FG,FJ ,FL,F M,FQ, FR	1

57-43-51

 ILLUSTRATED PARTS LIST
 01.1 Page 1084L
 Mar 01/04

FIG. & ITEM	PART NO.	AIRLINE PART NUMBER	NOMENCLATURE 1234567	EFF CODE	QTY PER ASSY
04- -343	114T4110-54		.STIFFENER-COVE PNL	R-X,A A,AB, AF,AH ,EC- FB,FE FF,FH ,FK,F N,FP, FS,FT	1
345	114T4110-51		.STIFFENER-COVE PNL	E-L, R-AB, AE-AH ,DC-F T	1
347	BACR15BA3AD		.RIVET- (SIZE DETERMINE ON INST)	E-L, R-AB, AE-AH ,DC-F T	114
349	BRFM22A3-3		.NUTPLATE- (V52828) (SPEC BACN10JQ33) (OPT MF19058-3-3BAC (V15653))	E-K, R-W, Y-AB, AE-AH ,DC- FB	3
-349A	MF19058-3-3BAC		.NUTPLATE- (V15653) (SPEC BACN10YF33)	L,X, FC-FT	3
351	BRFM22A4-3		.NUTPLATE- (V52828) (SPEC BACN10JQ34) (OPT MF19058-3-4BAC (V15653))	E-K, R-W, Y-AB, AE-AH ,DC- FB	14
-351A	MF19058-3-4BAC		.NUTPLATE- (V15653) (SPEC BACN10YF34)	L,X, FC-FT	14

57-43-51

FIG. & ITEM	PART NO.	AIRLINE PART NUMBER	NOMENCLATURE 1234567	EFF CODE	QTY PER ASSY
04-353	BRFM22A5-3		.NUTPLATE- (V52828) (SPEC BACN10JQ35) (OPT MF19058-3-5BAC (V15653))	E-K, R-W, Y-AB, AE-AH ,DC- FB	26
-353A	MF19058-3-5BAC		.NUTPLATE- (V15653) (SPEC BACN10YF35)	L,X, FC-FT	26
355	BACN10JQ36		.NUTPLATE	E-K, R-W, Y-AB, AE-AH ,DC- FB	10
-355A	MF19058-3-6BAC		.NUTPLATE- (V15653) (SPEC BACN10YF36)	L,X, FC-FT	10
357	NS103225-02		.NUTPLATE- (V80539) (SPEC BACN10KH3) (OPT RMF9209M3 (V72962)) (OPT F29779-3 (V15653))	E-L, R-AB, AE-AH ,DC-F T	4
359	BACB30NU3K4		.BOLT	E-K, R-W, Y-AB, AE-AH ,DC- FB	10
-359A	BACB30VF3K4		.BOLT	L,X, FC-FT	10

57-43-51

ILLUSTRATED PARTS LIST
01.1 Page 1084N
Mar 01/04

015T0165
 015T1507
 114T4103
 DASH NUMBERS LIMITED

 **BOEING**
 COMPONENT
 MAINTENANCE MANUAL

FIG. & ITEM	PART NO.	AIRLINE PART NUMBER	NOMENCLATURE 1234567	EFF CODE	QTY PER ASSY
04-361	BACB30NU3K5		.BOLT	E-K, R-W, Y-AB, AE-AH ,DC- FB	1
-361A	BACB30VF3K5		.BOLT	L,X, FC-FT	1
363	BACB30NT3K2		.BOLT	E-L, R-AB, AE-AH ,DC-F T	3
365	BACB30NT3K3		.BOLT	E-L, R-AB, AE-AH ,DC-F T	17
367	BACB30NT3K5		.BOLT	E-L, R-AB, AE-AH ,DC-F T	1
369	BACR15FT5AD		.RIVET- (SIZE DETERMINE ON INST)	E-L, R-AB, AE-AH ,DC-F T	8
371	114T4263-17		.PANEL-COVE	E-L,Y ,Z,AE ,AG, DC-EB ,FC, FD	1

57-43-51

ILLUSTRATED PARTS LIST
 01.1 Page 10840
 Mar 01/04

FIG. & ITEM	PART NO.	AIRLINE PART NUMBER	NOMENCLATURE 1234567	EFF CODE	QTY PER ASSY
04-				FG, FJ , FL, F M, FQ, FR	
-373	114T4263-18		.PANEL-COVE	R-X, A A, AB, AF, AH , EC- FB, FE FF, FH , FK, F N, FP, FS, FT	1
375	114T4110-55		.STIFFENER-COVE PNL	E-L, R-AB, AE-AH , DC-F T	1
377	BACR15BA3AD		.RIVET- (SIZE DETERMINE ON INST)	E-L, R-AB, AE-AH , DC-F T	48
379	BACN10JQ32		.NUTPLATE	E-K, R-W, Y-AB, AE-AH , DC- FB	23
-379A	MF19058-3-2BAC		.NUTPLATE- (V15653) (SPEC BACN10YF32)	L, X, FC-FT	23

57-43-51

 ILLUSTRATED PARTS LIST
 01.1 Page 1084P
 Mar 01/04

FIG. & ITEM	PART NO.	AIRLINE PART NUMBER	NOMENCLATURE 1234567	EFF CODE	QTY PER ASSY
04-381	NS103225-02		.NUTPLATE- (V80539) (SPEC BACN10KH3) (OPT RMF9209M3 (V72962)) (OPT F29779-3 (V15653))	E-L, R-AB, AE-AH ,DC-F T	1
383	BACB30NW6K		.BOLT- (SIZE DETERMINE ON INST)	E-L, R-AB, AE-AH ,DC-F T	34
385	AN960PD10		.WASHER	E-K, R-W, Y-AB, AE-AH ,DC- FB	16
-385A	NAS1149D0363J		.WASHER	L,X, FC-FT	16
387	HL79-6		.COLLAR- (V5M902) (SPEC BACC30M6) (OPT HL79-6 (V73197)) (OPT HL79-6 (V92215)) (OPT 66014-6 (V56878)) (OPT HL79-6 (V56878))	E-L, R-AB, AE-AH ,DC-F T	34

57-43-51

ILLUSTRATED PARTS LIST
 01.1 Page 1084Q
 Mar 01/04

FIG. & ITEM	PART NO.	AIRLINE PART NUMBER	NOMENCLATURE 1234567	EFF CODE	QTY PER ASSY
04-389	BACR15CE5KE		.RIVET- (SIZE DETERMINE ON INST)	E-L, R-AB, AE-AH ,DC-F T	130
391	114T4101-23		.WASHER	E-L, R-AB, AE-AH ,DC-F F	42
393	114T4113-7		.WEDGE ASSY-TE (OPT ITEM 393A) (PRE SB 767-57A0039) (PRE SB 767-57A0057)	E-J,Y	1
-393A	114T4113-9		.WEDGE ASSY-TE (OPT ITEM 393) (PRE SB 767-57A0039) (PRE SB 767-57A0057)	E-J,Y	1
-393B	114T4113-11		.WEDGE ASSY-TE (-11 IS INTERCHANGEABLE WITH -17 OR -19 ONLY IF CUSTOMER COMPLIES WITH A/D 93-14-19) (PRE SB 767-57A0039) (PRE SB 767-57A0057)	K,Z	1
-393C	114T4113-17		.WEDGE ASSY-TE (-11 IS INTERCHANGEABLE WITH -17 OR -19 ONLY IF CUSTOMER COMPLIES WITH A/D 93-14-19) (POST SB 767-57A0039) (POST SB 767-57A0057)	L,AE, AG,DC ,DE,D G,D J-DL, DQ DS,DU ,DW,D Y,EA, FD	1

57-43-51

 ILLUSTRATED PARTS LIST
 01.1 Page 1084R
 Mar 01/04

FIG. & ITEM	PART NO.	AIRLINE PART NUMBER	NOMENCLATURE 1234567	EFF CODE	QTY PER ASSY
04- -393D	114T4113-19		.WEDGE ASSY-TE (POST SB 767-57A0057)	DD,DF ,DH,D M-DP, DR,DT ,DV DX,DZ ,EB, FC,FG ,FJ,F L,FM FQ,FR R-V,A	1
-395	114T4113-8		.WEDGE ASSY-TE (OPT ITEM 396A) (PRE SB 767-57A0039) (PRE SB 767-57A0057)	R-V,A A	1
-395A	114T4113-10		.WEDGE ASSY-TE (OPT ITEM 396) (PRE SB 767-57A0039) (PRE SB 767-57A0057)	R-V,A A	1
-395B	114T4113-12		.WEDGE ASSY-TE (-12 IS INTERCHANGEABLE WITH -18 OR -20 ONLY IF CUSTOMER COMPLIES WITH A/D 93-14-19) (PRE SB 767-57A0039) (PRE SB 767-57A0057)	W,AB	1
-395C	114T4113-18		.WEDGE ASSY-TE (-12 IS INTERCHANGEABLE WITH -18 OR -20 ONLY IF CUSTOMER COMPLIES WITH A/D 93-14-19) (POST SB 767-57A0039) (POST SB 767-57A0057)	X,AF, AH,EC ,EE,E G,E J-EL, EQ ES,EU ,EW,E Y,FA, FF	1

57-43-51

FIG. & ITEM	PART NO.	AIRLINE PART NUMBER	NOMENCLATURE 1234567	EFF CODE	QTY PER ASSY
04- -395D	114T4113-20		.WEDGE ASSY-TE (POST SB 767-57A0057)	ED,EF ,EH,E M-EP, ER,ET ,EV EX,EZ ,FB, FE,FH ,FK,F N,FP FS,FT	1
397	BACS40R09C09F		.SHIM	E-K, R-W, Y-AB, AE-AH ,DC- FB	2
-397A	BACS40R009C009F		.SHIM	L,X, FC-FT	2
399	BACS40R09C17F		.SHIM	E-K, R-W, Y-AB, AE-AH ,DC- FB	1
-399A	BACS40R009C017F		.SHIM	L,X, FC-FT	1
401	BACS40R09C19F		.SHIM	E-J, R-V,Y ,AA,A E-AH, DC-FB	6
-401A	BACS40R009C019F		.SHIM	L,X, FC-FT	6

57-43-51

 ILLUSTRATED PARTS LIST
 01.1 Page 1084T
 Mar 01/04

015T0165
 015T1507
 114T4103
 DASH NUMBERS LIMITED

 **BOEING**
 COMPONENT
 MAINTENANCE MANUAL

FIG. & ITEM	PART NO.	AIRLINE PART NUMBER	NOMENCLATURE 1234567	EFF CODE	QTY PER ASSY
04-403	114T4175-15		.SHIELD-THRM BARRIER	E-J, R-V,Y ,AA, DC-DR ,DU,D V EC-ER ,EU,E V	1
405	114T4175-16		.SHIELD-THRM BARRIER	E-J, R-V,Y ,AA, DC-DR ,DU,D V EC-ER ,EU,E V	1
407	114T4175-17		.SHIELD-THRM BARRIER	E-J, R-V,Y ,AA, DC-DR ,DU,D V EC-ER ,EU,E V	1
409	114T4175-18		.SHIELD-THRM BARRIER	E-J, R-V,Y ,AA, DC-DR ,DU,D V EC-ER ,EU,E V	1

57-43-51

ILLUSTRATED PARTS LIST
 01.1 Page 1084U
 Mar 01/04

FIG. & ITEM	PART NO.	AIRLINE PART NUMBER	NOMENCLATURE 1234567	EFF CODE	QTY PER ASSY
04-411	114T4175-3		.SHIELD-THRM BARRIER	E-J, R-V,Y ,AA, DC-DR ,DU,D V EC-ER ,EU,E V	2
413	114T4175-4		.SHIELD-THRM BARRIER	E-J, R-V,Y ,AA, DC-DR ,DU,D V EC-ER ,EU,E V	2
415	114T4174-20		.SEAL-RUBBER	E-J, R-V,Y ,AA, DC-DR ,DU,D V EC-ER ,EU,E V	1
417	114T4174-21		.SEAL-RUBBER	E-J, R-V,Y ,AA, DC-DR ,DU,D V EC-ER ,EU,E V	1

57-43-51

ILLUSTRATED PARTS LIST
01.1 Page 1084V
Mar 01/04

FIG. & ITEM	PART NO.	AIRLINE PART NUMBER	NOMENCLATURE 1234567	EFF CODE	QTY PER ASSY
04-419	114T4174-16		.SEAL-RUBBER	E-J, R-V,Y ,AA, DC-DR ,DU,D V EC-ER ,EU,E V	2
421	114T4174-17		.SEAL-RUBBER	E-J, R-V,Y ,AA, DC-DR ,DU,D V EC-ER ,EU,E V	2
423	114T4174-7		.SEAL-RUBBER	E-J, R-V,Y ,AA, DC-DR ,DU,D V EC-ER ,EU,E V	2
425	114T4174-12		.SEAL-RUBBER	E-J, R-V,Y ,AA, DC-DR ,DU,D V EC-ER ,EU,E V	4

57-43-51

FIG. & ITEM	PART NO.	AIRLINE PART NUMBER	NOMENCLATURE 1234567	EFF CODE	QTY PER ASSY
04- 427 427A	114T4174-8 114T4174-3		DELETED .SEAL-RUBBER	E-J, R-V,Y ,AA, DC-DR ,DU,D V EC-ER ,EU,E V	2
429	114T4174-13		.SEAL-RUBBER	E-J, R-V,Y ,AA, DC-DR ,DU,D V EC-ER ,EU,E V	2
431	114T4174-18		.SEAL-RUBBER	E-J, R-V,Y ,AA, DC-DR ,DU,D V EC-ER ,EU,E V	2
433	114T4173-3		.SEAL-SPONGE	E-J, R-V,Y ,AA, DC-DR ,DU,D V EC-ER ,EU,E V	16

57-43-51

ILLUSTRATED PARTS LIST
01.1 Page 1084X
Mar 01/04

015T0165
 015T1507
 114T4103
 DASH NUMBERS LIMITED

 **BOEING**
 COMPONENT
 MAINTENANCE MANUAL

FIG. & ITEM	PART NO.	AIRLINE PART NUMBER	NOMENCLATURE 1234567	EFF CODE	QTY PER ASSY
04-435	114T4158-1		.PANEL ASSY-ACCESS	E-L, Y , Z, AE , AG, DC-EB , FC, FD FG, FJ , FL, F M, FQ, FR	1
-437	114T4158-2		.PANEL ASSY-ACCESS	R-X, A A, AB, AF, AH , EC- FB, FE FF, FH , FK, F N, FP, FS, FT	1
439	BACB30NN3K5		.BOLT	E-L, R-AB, AE-AH , DC-F T	29
441	BACR15BA3AD		.RIVET- (SIZE DETERMINE ON INST)	E-L, R-AB, AE-AH , DC-F T	44

57-43-51

ILLUSTRATED PARTS LIST
 01.1 Page 1084Y
 Mar 01/04

FIG. & ITEM	PART NO.	AIRLINE PART NUMBER	NOMENCLATURE 1234567	EFF CODE	QTY PER ASSY
04-443	BACR15BB3A		.RIVET- (SIZE DETERMINE ON INST)	E-L, R-AB, AE-AH ,DC-F T	6
445	BRFM22A4-3		.NUTPLATE- (V52828) (SPEC BACN10JQ34) (OPT MF19058-3-4BAC (V15653))	E-K, R-W, Y-AB, AE-AH ,DC- FB	16
-445A	MF19058-3-4BAC		.NUTPLATE- (V15653) (SPEC BACN10YF34)	L,X, FC-FT	16
447	BRFM22A3-3		.NUTPLATE- (V52828) (SPEC BACN10JQ33) (OPT MF19058-3-3BAC (V15653))	E-K, R-W, Y-AB, AE-AH ,DC- FB	7
-447A	MF19058-3-3BAC		.NUTPLATE- (V15653) (SPEC BACN10YF33)	L,X, FC-FT	7
449	NS103225-02		.NUTPLATE- (V80539) (SPEC BACN10KH3) (OPT RMF9209M3 (V72962)) (OPT F29779-3 (V15653))	E-L, R-AB, AE-AH ,DC-F T	2
451	NAS1195DD3KH		.SHIM	E-L, R-AB, AE-AH ,DC-F T	2
453	114T4912-7		.FITTING-INSERT	E-L,Y ,Z,AE ,AG, DC-EB ,FC, FD FG,FJ ,FL,F M,FQ, FR	1

57-43-51

 ILLUSTRATED PARTS LIST
 01.1 Page 1084Z
 Mar 01/04

FIG. & ITEM	PART NO.	AIRLINE PART NUMBER	NOMENCLATURE 1234567	EFF CODE	QTY PER ASSY
04- -455	114T4912-8		.FITTING-INSERT	R-X,A A,AB, AF,AH ,EC- FB,FE FF,FH ,FK,F N,FP, FS,FT E-L,	1
457	BACR15BA5AD		.RIVET- (SIZE DETERMINE ON INST)	R-AB, AE-AH ,DC-F T	2
459	114T4158-3		.PANEL ASSY-ACCESS	E-L,Y ,Z,AE ,AG, DC-EB ,FC, FD FG,FJ ,FL,F M,FQ, FR	1
-461	114T4158-4		.PANEL ASSY-ACCESS	R-X,A A,AB, AF,AH ,EC- FB,FE FF,FH ,FK,F N,FP, FS,FT E-L,	1
463	BACB30NN3K5		.BOLT	R-AB, AE-AH ,DC-F T	30
465	BACR15BA3AD		.RIVET- (SIZE DETERMINE ON INST)	E-L, R-AB, AE-AH ,DC-F T	52

57-43-51

FIG. & ITEM	PART NO.	AIRLINE PART NUMBER	NOMENCLATURE 1234567	EFF CODE	QTY PER ASSY
04-467	BRFM22A4-3		.NUTPLATE- (V52828) (SPEC BACN10JQ34) (OPT MF19058-3-4BAC (V15653))	E-K, R-W, Y-AB, AE-AH ,DC- FB	17
-467A	MF19058-3-4BAC		.NUTPLATE- (V15653) (SPEC BACN10YF34)	L,X, FC-FT	17
469	BACN10JQ32		.NUTPLATE	E-K, R-W, Y-AB, AE-AH ,DC- FB	7
-469A	MF19058-3-2BAC		.NUTPLATE- (V15653) (SPEC BACN10YF32)	L,X, FC-FT	7
471	NS103225-02		.NUTPLATE- (V80539) (SPEC BACN10KH3) (OPT RMF9209M3 (V72962)) (OPT F29779-3 (V15653))	E-L, R-AB, AE-AH ,DC-F T	2
473	NAS1195DD3KH		.SHIM	E-L, R-AB, AE-AH ,DC-F T	2
475	114T4912-9		.FITTING-INSERT	E-L,Y ,Z,AE ,AG, DC-EB ,FC, FD FG,FJ ,FL,F M,FQ, FR	1

57-43-51

 ILLUSTRATED PARTS LIST
 01.1 Page 1086
 Mar 01/04

FIG. & ITEM	PART NO.	AIRLINE PART NUMBER	NOMENCLATURE 1234567	EFF CODE	QTY PER ASSY
04- -477	114T4912-10		.FITTING-INSERT	R-X,A A,AB, AF,AH ,EC- FB,FE FF,FH ,FK,F N,FP, FS,FT	1
479	BACR15BA5AD		.RIVET- (SIZE DETERMINE ON INST)	E-L, R-AB, AE-AH ,DC-F T	2
481	BACB30NN3K4		.BOLT	E-L, R-AB, AE-AH ,DC-F T	4
483	BACR15BA3AD		.RIVET- (SIZE DETERMINE ON INST)	E-L, R-AB, AE-AH ,DC-F T	8
485	BRFM20A3		.NUTPLATE- (V52828) (SPEC BACN10JN3) (OPT MF1000-3BAC (V15653)) (OPT NS103218-02 (V80539)) (OPT RMF9201M3 (V72962)) (OPT VN252A02 (V92215)) (OPT MF1000-3BAC (V15653)) (OPT MF53049-3 (V15653))	E-L, R-AB, AE-AH ,DC-F T	4

57-43-51

FIG. & ITEM	PART NO.	AIRLINE PART NUMBER	NOMENCLATURE 1234567	EFF CODE	QTY PER ASSY
04-487	114T4604-21		.RIB ASSY-ACTR	F,DE, DF	1
-487A	114T4604-25		.RIB ASSY-ACTR	E,G-L ,Y,Z, AE,AG ,DC,D D DG-EB ,FC, FD	1
-487B	114T4604-401		.RIB ASSY-ACTR	FG,FJ ,FL,F M,FQ, FR	1
-489	114T4604-22		.RIB ASSY-ACTR	S,EE, EF	1
-489A	114T4604-26		.RIB ASSY-ACTR	R,T-X ,AA,A B,AF, AH,EC ,ED EG-FB ,FE,F F	1
-489B	114T4604-402		.RIB ASSY-ACTR	FH,FK ,FN,F P,FS, FT	1
491	114T4605-21		.RIB ASSY-ACTR	F,DE, DF	1

57-43-51

FIG. & ITEM	PART NO.	AIRLINE PART NUMBER	NOMENCLATURE 1234567	EFF CODE	QTY PER ASSY
04- -491A	114T4605-25		.RIB ASSY-ACTR	E,G-L ,Y,Z, AE,AG ,DC,D D DG-EB ,FC, FD	1
-491B	114T4605-401		.RIB ASSY-ACTR	FG,FJ ,FL,F M,FQ, FR	1
-493	114T4605-22		.RIB ASSY-ACTR	S,EE, EF	1
-493A	114T4605-26		.RIB ASSY-ACTR	R,T-X ,AA,A B,AF, AH,EC ,ED EG-FB ,FE,F F	1
-493B	114T4605-402		.RIB ASSY-ACTR	FH,FK ,FN,F P,FS, FT	1
495	BACB30NU3K5		DELETED		
497	AN960PD10		DELETED		
499	H10-3BAC		DELETED		
501	BACB30NW6K		DELETED		
503	BACB30MY6K		DELETED		

57-43-51

FIG. & ITEM	PART NO.	AIRLINE PART NUMBER	NOMENCLATURE 1234567	EFF CODE	QTY PER ASSY
04-505	HL79-6		DELETED		
507	BACR15FT6AD		DELETED		
509	BACS40R09C17F		DELETED		
511	BACB28AM07B020A		..BUSHING	E-L, R-AB, AE-AH ,DC-F F	1
-511A	BACB28AT08B019C		..BUSHING	FG-FT	1
513	BACB28AP05P019		..BUSHING	E-L, R-AB, AE-AH ,DC-F F	1
R -513A	BACB28AP06P019		..BUSHING	FG-FT	1
515	BACR15BA3AD		..RIVET- (SIZE DETERMINE ON INST)	E-L, R-AB, AE-AH ,DC-F T	36
517	BRFM22A3-3		..NUTPLATE- (V52828) (SPEC BACN10JQ33) (OPT MF19058-3-3BAC (V15653))	E-L, R-AB, AE-AH ,DC-F F	10
-517A	MF19058-3-3BAC		..NUTPLATE- (V15653) (SPEC BACN10YF33)	FG-FT	10
519	BRFM22A4-3		..NUTPLATE- (V52828) (SPEC BACN10JQ34) (OPT MF19058-3-4BAC (V15653))	E-L, R-AB, AE-AH ,DC-F F	6
-519A	MF19058-3-4BAC		..NUTPLATE- (V15653) (SPEC BACN10YF34)	FG-FT	6
521	NS103225-02		..NUTPLATE- (V80539) (SPEC BACN10KH3) (OPT RMF9209M3 (V72962)) (OPT F29779-3 (V15653))	E-L, R-AB, AE-AH ,DC-F T	2

57-43-51

 ILLUSTRATED PARTS LIST
 01.1 Page 1086D
 Mar 01/04

FIG. & ITEM	PART NO.	AIRLINE PART NUMBER	NOMENCLATURE 1234567	EFF CODE	QTY PER ASSY
04-523	NAS1195DD3KH		..SHIM	E-L, R-AB, AE-AH ,DC-F F	4
525	114T4604-23		..RIB- (USED ON ITEMS 487, 487A)	E-L,Y ,Z,AE ,AG, DC-EB ,FC, FD	1
-525A	114T4604-403		..RIB- (USED ON ITEM 487B)	FG,FJ ,FL,F M,FQ, FR	1
-527	114T4604-24		..RIB- (USED ON ITEMS 489, 489A)	R-X,A A,AB, AF,AH ,EC- FB,FE FF,FE	1
-527A	114T4604-404		..RIB- (USED ON ITEM 489B)	FH,FK ,FN,F P,FS, FT	1
529	114T4605-23		..RIB- (USED ON ITEMS 491, 491A)	E-L,Y ,Z,AE ,AG, DC-EB ,FC, FD	1
-529A	114T4605-403		..RIB- (USED ON ITEM 491B)	FG,FJ ,FL,F M,FQ, FR	1

57-43-51

FIG. & ITEM	PART NO.	AIRLINE PART NUMBER	NOMENCLATURE 1234567	EFF CODE	QTY PER ASSY
04- -531	114T4605-24		..RIB- (USED ON ITEMS 493, 493A)	R-X,A A,AB, AF,AH ,EC- FB,FE FF,FE	1
-531A	114T4605-404		..RIB- (USED ON ITEM 493B)	FH,FK ,FN,F P,FS, FT	1
533	114T4404-17		.RIB ASSY-MAIN TRACK	F,DE, DF	1
-533A	114T4404-21		.RIB ASSY-MAIN TRACK	E,G-L ,Y,Z, AE,AG ,DC,D D DG-EB ,FC, FD,FG ,FJ,F L,FM FQ,FR	1
-535	114T4404-18		.RIB ASSY-MAIN TRACK	S,EE, EF	1
-535A	114T4404-22		.RIB ASSY-MAIN TRACK	R,T-X ,AA,A B,AF, AH,EC ,ED EG-FB ,FE,F F,FH, FK,FN ,FP FS,FT	1

57-43-51

 ILLUSTRATED PARTS LIST
 01.1 Page 1086F
 Mar 01/04

FIG. & ITEM	PART NO.	AIRLINE PART NUMBER	NOMENCLATURE 1234567	EFF CODE	QTY PER ASSY
04-					
537	BACB30NU3K5		DELETED		
539	BACB30NU3K7		DELETED		
541	BACB30NT3K22		DELETED		
543	AN960PD10		DELETED		
545	H10-3BAC		DELETED		
547	BACB30NW6K		DELETED		
549	BACB30MY6K		DELETED		
551	HL79-6		DELETED		
553	BACR15FT6AD		DELETED		
555	BACS40R10C17F		DELETED		
557	BACB28AM13B040A		..BUSHING	E-L, R-AB, AE-AH ,DC-F T	1
559	BACB28AP13B039		DELETED		
559A	BACB28AP09B039		..BUSHING	E-L, R-AB, AE-AH ,DC-F T	1
561	BACR15BA3AD		..RIVET- (SIZE DETERMINE ON INST)	E-L, R-AB, AE-AH ,DC-F T	36
563	BRFM22A3-3		..NUTPLATE- (V52828) (SPEC BACN10JQ33) (OPT MF19058-3-3BAC (V15653))	E-L, R-AB, AE-AH ,DC-F T	16

57-43-51

FIG. & ITEM	PART NO.	AIRLINE PART NUMBER	NOMENCLATURE 1234567	EFF CODE	QTY PER ASSY
04-565	NS103225-02		..NUTPLATE- (V80539) (SPEC BACN10KH3) (OPT RMF9209M3 (V72962)) (OPT F29779-3 (V15653))	E-L, R-AB, AE-AH ,DC-F T	2
567	NAS1195DD3KH		..SHIM	E-L, R-AB, AE-AH ,DC-F T	2
569	114T4404-19		..RIB	E-L,Y ,Z,AE ,AG, DC-EB ,FC, FD FG,FJ ,FL,F M,FQ, FR	1
-571	114T4404-20		..RIB	R-X,A A,AB, AF,AH ,EC- FB,FE FF,FH ,FK,F N,FP, FS,FT	1

57-43-51

 ILLUSTRATED PARTS LIST
 01.1 Page 1086H
 Mar 01/04

015T0165
 015T1507
 114T4103
 DASH NUMBERS LIMITED

 **BOEING**
 COMPONENT
 MAINTENANCE MANUAL

FIG. & ITEM	PART NO.	AIRLINE PART NUMBER	NOMENCLATURE 1234567	EFF CODE	QTY PER ASSY
04-573	114T4405-17		.RIB ASSY-MAIN TRACK	F,DE, DF	1
-573A	114T4405-21		.RIB ASSY-MAIN TRACK	E,G-L ,Y,Z, AE,AG ,DC,D D DG-EB ,FC, FD,FG ,FJ,F L,FM FQ,FR	1
-575	114T4405-18		.RIB ASSY-MAIN TRACK	S,EE, EF	1
-575A	114T4405-22		.RIB ASSY-MAIN TRACK	R,T-X ,AA,A B,AF, AH,EC ,ED EG-FB ,FE,F F,FH, FK,FN ,FP FS,FT	1
577	BACB30NU3K5		DELETED		
579	BACB30NU3K7		DELETED		
581	BACB30NT3K22		DELETED		
583	AN960PD10		DELETED		
585	H10-3BAC		DELETED		
587	BACB30NW6K		DELETED		
589	BACB30MY6K		DELETED		
591	HL79-6		DELETED		
593	BACR15FT6AD		DELETED		
595	BACS40R10C16F		DELETED		
597	BACB28AM13B040A		. .BUSHING	E-L, R-AB, AE-AH ,DC-F T	1

57-43-51

ILLUSTRATED PARTS LIST
 01.1 Page 1086I
 Mar 01/04

FIG. & ITEM	PART NO.	AIRLINE PART NUMBER	NOMENCLATURE 1234567	EFF CODE	QTY PER ASSY
04-599	BACB28AP09P039		..BUSHING	E-L, R-AB, AE-AH ,DC-F T	1
601	BACR15BA3AD		..RIVET- (SIZE DETERMINE ON INST)	E-L, R-AB, AE-AH ,DC-F T	40
603	BRFM22A3-3		..NUTPLATE- (V52828) (SPEC BACN10JQ33) (OPT MF19058-3-3BAC (V15653))	E-L, R-AB, AE-AH ,DC-F T	18
605	NS103225-02		..NUTPLATE- (V80539) (SPEC BACN10KH3) (OPT RMF9209M3 (V72962)) (OPT F29779-3 (V15653))	E-L, R-AB, AE-AH ,DC-F T	2
607	NAS1195DD3KH		..SHIM	E-L, R-AB, AE-AH ,DC-F T	2
609	114T4405-19		..RIB	E-L,Y ,Z,AE ,AG, DC-EB ,FC, FD FG,FJ ,FL,F M,FQ, FR	1

57-43-51

 ILLUSTRATED PARTS LIST
 01.1 Page 1086J
 Mar 01/04

FIG. & ITEM	PART NO.	AIRLINE PART NUMBER	NOMENCLATURE 1234567	EFF CODE	QTY PER ASSY
04- -611	114T4405-20		.RIB	R-X,A A,AB, AF,AH ,EC- FB,FE FF,FH ,FK,F N,FP, FS,FT F,DE, DF	1
613	114T4516-13		.RIB ASSY-AUX (VARIABLE)	E,G-L ,Y,Z, AE,AG ,DC,D D DG-EB ,FC, FD	1
-613A	114T4516-17		.RIB ASSY-AUX	FG,FJ ,FL,F M,FQ, FR	1
-613B	114T4516-401		.RIB ASSY-AUX	S,EE, EF	1
-615	114T4516-14		.RIB ASSY-AUX (VARIABLE)	R,T-X ,AA,A B,AF, AH,EC ,ED EG-FB ,FE,F F	1
-615A	114T4516-18		.RIB ASSY-AUX	FH,FK ,FN,F P,FS, FT	1
-615B	114T4516-402		.RIB ASSY-AUX		

57-43-51

ILLUSTRATED PARTS LIST
 01.1 Page 1086K
 Mar 01/04

FIG. & ITEM	PART NO.	AIRLINE PART NUMBER	NOMENCLATURE 1234567	EFF CODE	QTY PER ASSY
04-617	114T4517-13		.RIB ASSY-AUX (VARIABLE)	F,DE,DF	1
-617A	114T4517-17		.RIB ASSY-AUX	E,G-L, Y,Z, AE,AG, DC,D D DG-EB, FC, FD	1
-617B	114T4517-401		.RIB ASSY-AUX	FG,FJ, FL,F M,FQ, FR	1
-619	114T4517-14		.RIB ASSY-AUX (VARIABLE)	S,EE, EF	1
-619A	114T4517-18		.RIB ASSY-AUX	R,T-X, AA,A B,AF, AH,EC, ED EG-FB, FE,F F	1
-619B	114T4517-402		.RIB ASSY-AUX	FH,FK, FN,F P,FS, FT	1
621	BACB30NU3K6		DELETED		
623	AN960PD10		DELETED		
625	H10-3BAC		DELETED		
627	BACB30NT3K6		DELETED		
629	AN960PD10		DELETED		
631	BACW10P43AL		DELETED		
633	H10-3BAC		DELETED		
635	BACB30NW6K		DELETED		

57-43-51

 ILLUSTRATED PARTS LIST
 01.1 Page 1086L
 Mar 01/04

FIG. & ITEM	PART NO.	AIRLINE PART NUMBER	NOMENCLATURE 1234567	EFF CODE	QTY PER ASSY
04- 637	BACB30MY6K		DELETED		
639	HL79-6		DELETED		
641	BACR15FT5AD		DELETED		
643	BACS40R09C14F		DELETED		
645	012T2400-45		..BUSHING	E-L, R-AB, AE-AH ,DC-F T	2
647	HL441N5-3		..BOLT- (V60516) (SPEC BACB30FN5A3N) (OPT HL441N5-3 (V73197)) (OPT HL441N5-3 (V92215)) (OPT HL441N5-3 (V97928)) (OPT HL441N5-3 (V08524)) (OPT HL19-5A3N (V06725)) (OPT L839-5A3N (V06725)) (OPT HL441N5-3 (V56878)) (OPT ITEM 647A)	E-L, R-AB, AE-AH ,DC-F F	4

57-43-51

FIG. & ITEM	PART NO.	AIRLINE PART NUMBER	NOMENCLATURE 1234567	EFF CODE	QTY PER ASSY
04- -647A	HL441UC5-3		..BOLT- (V97928) (SPEC BACB30FN5A3) (OPT HL441UC5-3 (V73197)) (OPT HL441UC5-3 (V92215)) (OPT HL41PY5-3 (V80539)) (OPT HL441N5-3 (V80539)) (OPT HL441UC5-3 (V80539)) (OPT 67068-5A3 (V56878)) (OPT HL441UC5-3 (V08524)) (OPT HL19-5A3 (V06725)) (OPT L839-5A3 (V06725)) (OPT HL441UC5-3 (V56878)) (OPT ITEM 647)	E-L, R-AB, AE-AH ,DC-F F	4
-647B	HL441N5-3		..BOLT- (V60516) (SPEC BACB30FN5A3N) (OPT HL441N5-3 (V73197)) (OPT HL441N5-3 (V92215)) (OPT HL441N5-3 (V97928)) (OPT HL441N5-3 (V08524)) (OPT HL19-5A3N (V06725)) (OPT L839-5A3N (V06725)) (OPT HL441N5-3 (V56878))	FG-FT	4

57-43-51

ILLUSTRATED PARTS LIST
01.1 Page 1086N
Mar 01/04

FIG. & ITEM	PART NO.	AIRLINE PART NUMBER	NOMENCLATURE 1234567	EFF CODE	QTY PER ASSY
04-649	AN960PD8L		..WASHER	E-L, R-AB, AE-AH ,DC-F F	4
-649A 651	NAS1149DN816J BACN10JC08CD		..WASHER ..NUT- (OPT ITEM 651A)	FG-FT E-L, R-AB, AE-AH ,DC-F F	4 4
-651A	H10-08BAC		..NUT- (V15653) (SPEC BACN10JC08) (OPT NS202101-82 (V80539)) (OPT RMLH9075-82W (V72962)) (OPT T6S832J (V71087)) (OPT VN303A82 (V92215)) (OPT 96-82 (V80539)) (OPT BRH10A08 (V52828)) (OPT ITEM 651)	E-L, R-AB, AE-AH ,DC-F F	4
-651B 653	BACN10JC08CD 114T4149-1		..NUT ..PLATE-RUB	FG-FT E-L, R-AB, AE-AH ,DC-F T	4 1

57-43-51

FIG. & ITEM	PART NO.	AIRLINE PART NUMBER	NOMENCLATURE 1234567	EFF CODE	QTY PER ASSY
04-655	114T4149-2		..PLATE-RUB	E-L, R-AB, AE-AH ,DC-F T	1
657	114T4516-15		..RIB- (USED ON ITEMS 613, 613A)	E-L,Y ,Z,AE ,AG, DC-EB ,FC, FD	1
-657A	114T4516-403		..RIB- (USED ON ITEM 613B)	FG,FJ ,FL,F M,FQ, FR	1
-659	114T4516-16		..RIB- (USED ON ITEMS 615, 615A)	R-X,A A,AB, AF,AH ,EC- FB,FE FF,FE	1
-659A	114T4516-404		..RIB- (USED ON ITEM 615B)	FH,FK ,FN,F P,FS, FT	1
661	114T4517-15		..RIB- (USED ON ITEMS 617, 617A)	E-L,Y ,Z,AE ,AG, DC-EB ,FC, FD	1
-661A	114T4517-403		..RIB- (USED ON ITEM 617B)	FG,FJ ,FL,F M,FQ, FR	1

57-43-51

 ILLUSTRATED PARTS LIST
 01.1 Page 1086P
 Mar 01/04

FIG. & ITEM	PART NO.	AIRLINE PART NUMBER	NOMENCLATURE 1234567	EFF CODE	QTY PER ASSY
04- -663	114T4517-16		..RIB- (USED ON ITEMS 619, 619A)	R-X,A A,AB, AF,AH ,EC- FB,FE FF,FE	1
-663A	114T4517-404		..RIB- (USED ON ITEM 619B)	FH,FK ,FN,F P,FS, FT	1
-665	114T4703-9		.RIB ASSY-AIR LOAD (VARIABLE)	F,DE, DF	1
-665A	114T4703-13		.RIB ASSY-AIR LOAD	E,G-L ,Y,Z, AE,AG ,DC,D D DG-EB ,FC, FD,FG ,FJ,F L,FM FQ,FR	1
-667	114T4703-10		.RIB ASSY-AIR LOAD (VARIABLE)	S,EE, EF	1
-667A	114T4703-14		.RIB ASSY-AIR LOAD	R,T-X ,AA,A B,AF, AH,EC ,ED EG-FB ,FE,F F,FH, FK,FN ,FP FS,FT	1

57-43-51

FIG. & ITEM	PART NO.	AIRLINE PART NUMBER	NOMENCLATURE 1234567	EFF CODE	QTY PER ASSY
04-669	BACR15BA3AD		..RIVET- (SIZE DETERMINE ON INST)	E-L, R-AB, AE-AH ,EC, ED EG-FT	12
671	BRFM20A3		..NUTPLATE- (V52828) (SPEC BACN10JN3) (OPT MF1000-3BAC (V15653)) (OPT NS103218-02 (V80539)) (OPT RMF9201M3 (V72962)) (OPT VN252A02 (V92215)) (OPT MF1000-3BAC (V15653)) (OPT MF53049-3 (V15653))	E-L, R-AB, AE-AH ,DC-F T	4
673	NS103225-02		..NUTPLATE- (V80539) (SPEC BACN10KH3) (OPT RMF9209M3 (V72962)) (OPT F29779-3 (V15653))	E-L, R-AB, AE-AH ,DC-F T	2
-675	114T4905-9		.RIB ASSY-END	F,DE, DF	1
-675A	114T4905-13		.RIB ASSY-END	E,G-L ,Y,Z, AE,AG ,DC,D D DG-EB ,FC, FD,FG	1

57-43-51

 ILLUSTRATED PARTS LIST
 01.1 Page 1086R
 Mar 01/04

FIG. & ITEM	PART NO.	AIRLINE PART NUMBER	NOMENCLATURE 1234567	EFF CODE	QTY PER ASSY
04-				,FJ,F L,FM FQ,FR S,EE, EF	1
-677	114T4905-10		.RIB ASSY-END		
-677A	114T4905-14		.RIB ASSY-END	R,T-X ,AA,A B,AF, AH,EC ,ED EG-FB ,FE,F F,FH, FK,FN ,FP FS,FT	1
679	BACR15BA3AD		..RIVET- (SIZE DETERMINE ON INST)	E-L, R-AB, AE-AH ,DC-F T	26
681	BACN10JQ32		..NUTPLATE	E-L, R-AB, AE-AH ,DC-F T	1
683	BRFM22A3-3		..NUTPLATE- (V52828) (SPEC BACN10JQ33) (OPT MF19058-3-3BAC (V15653))	E-L, R-AB, AE-AH ,DC-F T	1
685	BRFM22A4-3		..NUTPLATE- (V52828) (SPEC BACN10JQ34) (OPT MF19058-3-4BAC (V15653))	E-L, R-AB, AE-AH ,DC-F T	2

57-43-51

FIG. & ITEM	PART NO.	AIRLINE PART NUMBER	NOMENCLATURE 1234567	EFF CODE	QTY PER ASSY
04-687	BRFM20A3		. .NUTPLATE- (V52828) (SPEC BACN10JN3) (OPT MF1000-3BAC (V15653)) (OPT NS103218-02 (V80539)) (OPT RMF9201M3 (V72962)) (OPT VN252A02 (V92215)) (OPT MF1000-3BAC (V15653)) (OPT MF53049-3 (V15653))	E-L, R-AB, AE-AH ,DC-F T	4
689	NS103225-02		. .NUTPLATE- (V80539) (SPEC BACN10KH3) (OPT RMF9209M3 (V72962)) (OPT F29779-3 (V15653))	E-L, R-AB, AE-AH ,DC-F T	5
-691	114T4906-9		.RIB ASSY-END (VARIABLE)	F,DE, DF	1
-691A	114T4906-13		.RIB ASSY-END	E,G-L ,Y,Z, AE,AG ,DC,D D DG-EB ,FC, FD,FG ,FJ,F L,FM FQ,FR	1

57-43-51

 ILLUSTRATED PARTS LIST
 01.1 Page 1086T
 Mar 01/04

FIG. & ITEM	PART NO.	AIRLINE PART NUMBER	NOMENCLATURE 1234567	EFF CODE	QTY PER ASSY
04- -693	114T4906-10		.RIB ASSY-END (VARIABLE)	S,EE, EF	1
-693A	114T4906-14		.RIB ASSY-END	R,T-X ,AA,A B,AF, AH,EC ,ED EG-FB ,FE,F F,FH, FK,FN ,FP FS,FT	1
695	BACR15BA3AD		..RIVET- (SIZE DETERMINE ON INST)	E-L, R-AB, AE-AH ,DC-F T	28
697	BACN10JQ32		..NUTPLATE	E-L, R-AB, AE-AH ,DC-F T	1
699	BRFM22A3-3		..NUTPLATE- (V52828) (SPEC BACN10JQ33) (OPT MF19058-3-3BAC (V15653))	E-L, R-AB, AE-AH ,DC-F T	1
701	BRFM22A4-3		..NUTPLATE- (V52828) (SPEC BACN10JQ34) (OPT MF19058-3-4BAC (V15653))	E-L, R-AB, AE-AH ,DC-F T	2

57-43-51

FIG. & ITEM	PART NO.	AIRLINE PART NUMBER	NOMENCLATURE 1234567	EFF CODE	QTY PER ASSY
04-703	BRFM20A3		..NUTPLATE- (V52828) (SPEC BACN10JN3) (OPT MF1000-3BAC (V15653)) (OPT NS103218-02 (V80539)) (OPT RMF9201M3 (V72962)) (OPT VN252A02 (V92215)) (OPT MF1000-3BAC (V15653)) (OPT MF53049-3 (V15653))	E-L, R-AB, AE-AH ,DC-F T	5
705	NS103225-02		..NUTPLATE- (V80539) (SPEC BACN10KH3) (OPT RMF9209M3 (V72962)) (OPT F29779-3 (V15653))	E-L, R-AB, AE-AH ,DC-F T	5
707	NAS1195DD3KH		..SHIM	E-L, R-AB, AE-AH ,DC-F T	4
-709	114T4123-99		.BEAM ASSY-NOSE	F,DE, DF	1
-709A	114T4123-105		.BEAM ASSY-NOSE	E,G-L ,Y,Z, AE,AG ,DC,D D DG-EB ,FC, FD	1
-709B	114T4123-401		.BEAM ASSY-NOSE	FG,FJ ,FL,F M,FQ, FR	1

57-43-51

ILLUSTRATED PARTS LIST
01.1 Page 1086V
Mar 01/04

FIG. & ITEM	PART NO.	AIRLINE PART NUMBER	NOMENCLATURE 1234567	EFF CODE	QTY PER ASSY
04- -711	114T4123-100		.BEAM ASSY-NOSE	S,EE, EF	1
-711A	114T4123-106		.BEAM ASSY-NOSE	R,T-X ,AA,A B,AF, AH,EC ,ED EG-FB ,FE,F F	1
-711B	114T4123-402		.BEAM ASSY-NOSE	FH,FK ,FN,F P,FS, FT	1
713	BACB30NT3K7		..BOLT	E-L, R-AB, AE-AH ,DC-F T	48
715	AN960PD10L		..WASHER	E-L, R-AB, AE-AH ,DC-F F	48
-715A 717	NAS1149D0316J 114T4119-3		..WASHER ..DOOR	FG-FT E-L, R-AB, AE-AH ,DC-F T	48 3
719	114T4119-4		..DOUBLER	E-L, R-AB, AE-AH ,DC-F T	3
721	BACR15BA3AD		..RIVET- (SIZE DETERMINE ON INST)	E-L, R-AB, AE-AH ,DC-F T	96

57-43-51

FIG. & ITEM	PART NO.	AIRLINE PART NUMBER	NOMENCLATURE 1234567	EFF CODE	QTY PER ASSY
04-723	BRFM20A3		..NUTPLATE- (V52828) (SPEC BACN10JN3) (OPT MF1000-3BAC (V15653)) (OPT NS103218-02 (V80539)) (OPT RMF9201M3 (V72962)) (OPT VN252A02 (V92215)) (OPT MF1000-3BAC (V15653)) (OPT MF53049-3 (V15653))	E-L, R-AB, AE-AH ,DC-F T	9
725	BRFM22A3-3		..NUTPLATE- (V52828) (SPEC BACN10JQ33) (OPT MF19058-3-3BAC (V15653))	E-L, R-AB, AE-AH ,DC-F F	39
-725A	MF19058-3-3BAC		..NUTPLATE- (V15653) (SPEC BACN10YF33)	FG-FT	39
-727	114T4200-25		.SEAL INSTL	E-L,Y ,Z,AE ,AG, DC-EB ,FC, FD FG,FL FJ,FM ,FQ,F R	1
-727A	114T4200-31		.SEAL INSTL	R-X,A A,AB, AF,AH ,EC- FB,FE FF,FH ,FN	1
-729	114T4200-26		.SEAL INSTL		

57-43-51

 ILLUSTRATED PARTS LIST
 01.1 Page 1086X
 Mar 01/04

FIG. & ITEM	PART NO.	AIRLINE PART NUMBER	NOMENCLATURE 1234567	EFF CODE	QTY PER ASSY
04- -729A	114T4200-32		.SEAL INSTL	FK,FP ,FS,F T	1
731	BACB30NT3K4		..BOLT	E-L, R-AB, AE-AH ,DC-F T	14
733	AN960PD10		..WASHER	E-L, R-AB, AE-AH ,DC-F H,FL FNFL	2
-733A	NAS1149D0363J		..WASHER	FJ,FK ,FM,F P-FT	2
735	AN960PD10L		..WASHER	E-L, R-AB, AE-AH ,DC-F H,FL FNFL	16
-735A	NAS1149D0316J		..WASHER	FJ,FK ,FM,F P-FT	16
737	BACW10P43AL		..WASHER	E-L, R-AB, AE-AH ,DC-F T	7

57-43-51

ILLUSTRATED PARTS LIST
 01.1 Page 1086Y
 Mar 01/04

FIG. & ITEM	PART NO.	AIRLINE PART NUMBER	NOMENCLATURE 1234567	EFF CODE	QTY PER ASSY
04-739	H10-3BAC		..NUT- (V15653) (SPEC BACN10JC3) (OPT NS202101-02 (V80539)) (OPT RMLH9075-3W (V72962)) (OPT T6S1032J (V71087)) (OPT VN303A02 (V92215)) (OPT 96-02 (V80539)) (OPT BRH10A3 (V52828))	E-L, R-AB, AE-AH ,DC-F H,FL FNFL	10
-739A	BRH10C3D		..NUT- (V52828) (SPEC BACN10JC3CD) (OPT T6C1032JCD (V11815)) (OPT NS202486-02 (V80539)) (OPT 102LH9075-3W (V72962)) (OPT H51650-3BAC (V15653))	FJ,FK ,FM,F P-FT	10
741	114T4221-7		..FITTING-ATTACH	E-L,Y ,Z,AE ,AG, DC-EB ,FC, FD FG,FJ ,FL,F M,FQ, FR	1

57-43-51

FIG. & ITEM	PART NO.	AIRLINE PART NUMBER	NOMENCLATURE 1234567	EFF CODE	QTY PER ASSY
04- -743	114T4221-8		..FITTING-ATTACH	R-X,A A,AB, AF,AH ,EC- FB,FE FF,FH ,FK,F N,FP, FS,FT	1
745	114T4223-29		..SEAL-BLADE	E-L,Y ,Z,AE ,AG, DC-EB ,FC, FD FG,FJ ,FL,F M,FQ, FR	1
-747	114T4223-30		..SEAL-BLADE	R-X,A A,AB, AF,AH ,EC- FB,FE FF,FH ,FK,F N,FP, FS,FT	1
749	114T4222-23		..RETAINER	E-L,Y ,Z,AE ,AG, DC-EB ,FC, FD FG,FJ ,FL,F M,FQ, FR	1

57-43-51

FIG. & ITEM	PART NO.	AIRLINE PART NUMBER	NOMENCLATURE 1234567	EFF CODE	QTY PER ASSY
04- -751	114T4222-24		..RETAINER	R-X,A A,AB, AF,AH ,EC- FB,FE FF,FH ,FK,F N,FP, FS,FT	1
753 753A	114T4221-19 114T4221-21		DELETED ..FITTING-ATTACH	E-L,Y ,Z,AE ,AG, DC-EB ,FC, FD FG,FL FJ,FM ,FQ,F R	1
-753B	114T4221-25		..FITTING-ATTACH	FJ,FM ,FQ,F R	1
-755 -755A	114T4221-20 114T4221-22		DELETED ..FITTING-ATTACH	R-X,A A,AB, AF,AH ,EC- FB,FE FF,FH ,FN	1
-755B	114T4221-26		..FITTING-ATTACH	FK,FP ,FS,F T	1
757 757A	114T4223-27 114T4223-39		DELETED ..SEAL-BLADE	E-L,Y ,Z,AE ,AG, DC-EB ,FC, FD FG,FJ ,FL,F M,FQ, FR	1

57-43-51

 ILLUSTRATED PARTS LIST
 01.1 Page 1088
 Mar 01/04

FIG. & ITEM	PART NO.	AIRLINE PART NUMBER	NOMENCLATURE 1234567	EFF CODE	QTY PER ASSY
04- -759 -759A	114T4223-28 114T4223-40		DELETED ..SEAL-BLADE	R-X,A A,AB, AF,AH ,EC- FB,FE FF,FH ,FK,F N,FP, FS,FT	1
761 761A 761B	114T4223-16 114T4222-16 114T4222-17		DELETED DELETED ..RETAINER	E-L, R-AB, AE-AH ,DC-F T	1
763	114T4240-73		..SEAL	E-L,Y ,Z,AE ,AG, DC-EB ,FC, FD FG,FJ ,FL,F M,FQ, FR	1
-765	114T4240-74		..SEAL	R-X,A A,AB, AF,AH ,EC- FB,FE FF,FH ,FK,F N,FP, FS,FT	1

57-43-51

FIG. & ITEM	PART NO.	AIRLINE PART NUMBER	NOMENCLATURE 1234567	EFF CODE	QTY PER ASSY
04-767	114T4240-75		..SEAL	E-L,Y ,Z,AE ,AG, DC-EB ,FC, FD FG,FJ ,FL,F M,FQ, FR	1
-769	114T4240-76		..SEAL	R-X,A A,AB, AF,AH ,EC- FB,FE FF,FH ,FK,F N,FP, FS,FT	1
-771	114T4200-11		.SEAL INSTL	E-L,Y ,Z,AE ,AG, DC-EB ,FC, FD FG,FJ ,FL,F M,FQ, FR	1

57-43-51

 ILLUSTRATED PARTS LIST
 01.1 Page 1088B
 Mar 01/04

015T0165
 015T1507
 114T4103
 DASH NUMBERS LIMITED

 **BOEING**
 COMPONENT
 MAINTENANCE MANUAL

FIG. & ITEM	PART NO.	AIRLINE PART NUMBER	NOMENCLATURE 1234567	EFF CODE	QTY PER ASSY
04- -773	114T4200-12		.SEAL INSTL	R-X,A A,AB, AF,AH ,EC- FB,FE FF,FH ,FK,F N,FP, FS,FT	1
775	BACB30NT3K4		..BOLT	E-L, R-AB, AE-AH ,DC-F T	14
777	AN960PD10		..WASHER	E-L, R-AB, AE-AH ,DC-F T	1
779	AN960PD10L		..WASHER	E-L, R-AB, AE-AH ,DC-F T	18
781	BACW10P43AL		..WASHER	E-L, R-AB, AE-AH ,DC-F T	7

57-43-51

ILLUSTRATED PARTS LIST
 01.1 Page 1088C
 Mar 01/04

FIG. & ITEM	PART NO.	AIRLINE PART NUMBER	NOMENCLATURE 1234567	EFF CODE	QTY PER ASSY
04-783	BACN10JC3AL		..NUT	E-L, R-AB, AE-AH ,DC-F T	12
785	114T4221-11		..FITTING-ATTACH	E-L,Y ,Z,AE ,AG, DC-EB ,FC, FD FG,FJ ,FL,F M,FQ, FR	1
-787	114T4221-12		..FITTING-ATTACH	R-X,A A,AB, AF,AH ,EC- FB,FE FF,FH ,FK,F N,FP, FS,FT	1
789	114T4223-25		..SEAL-BLADE	E-L,Y ,Z,AE ,AG, DC-EB ,FC, FD FG,FJ ,FL,F M,FQ, FR	1
-791	114T4223-26		..SEAL-BLADE	R-X,A A,AB, AF,AH ,EC- FB,FE FF,FH ,FK,F N,FP, FS,FT	1

57-43-51

 ILLUSTRATED PARTS LIST
 01.1 Page 1088D
 Mar 01/04

FIG. & ITEM	PART NO.	AIRLINE PART NUMBER	NOMENCLATURE 1234567	EFF CODE	QTY PER ASSY
04-793	114T4222-25		..RETAINER	E-L,Y ,Z,AE ,AG, DC-EB ,FC, FD FG,FJ ,FL,F M,FQ, FR	1
-795	114T4222-26		..RETAINER	R-X,A A,AB, AF,AH ,EC- FB,FE FF,FH ,FK,F N,FP, FS,FT	1
797	114T4221-21		..FITTING-ATTACH	E-L,Y ,Z,AE ,AG, DC-EB ,FC, FD FG,FJ ,FL,F M,FQ, FR	1
-799	114T4221-22		..FITTING-ATTACH	R-X,A A,AB, AF,AH ,EC- FB,FE FF,FH ,FK,F N,FP, FS,FT	1

57-43-51

FIG. & ITEM	PART NO.	AIRLINE PART NUMBER	NOMENCLATURE 1234567	EFF CODE	QTY PER ASSY
04-801	114T4223-37		..SEAL-BLADE	E-L,Y ,Z,AE ,AG, DC-EB ,FC, FD FG,FJ ,FL,F M,FQ, FR	1
-803	114T4223-38		..SEAL-BLADE	R-X,A A,AB, AF,AH ,EC- FB,FE FF,FH ,FK,F N,FP, FS,FT	1
805	114T4222-17		..RETAINER	E-L, R-AB, AE-AH ,DC-F T	1
807	114T4240-49		..SEAL	E-L,Y ,Z,AE ,AG, DC-EB ,FC, FD FG,FJ ,FL,F M,FQ, FR	1

57-43-51

ILLUSTRATED PARTS LIST
01.1 Page 1088F
Mar 01/04

FIG. & ITEM	PART NO.	AIRLINE PART NUMBER	NOMENCLATURE 1234567	EFF CODE	QTY PER ASSY
04- -809	114T4240-50		..SEAL	R-X,A A,AB, AF,AH ,EC- FB,FE FF,FH ,FK,F N,FP, FS,FT	1
811	114T4240-51		..SEAL	E-L,Y ,Z,AE ,AG, DC-EB ,FC, FD FG,FJ ,FL,F M,FQ, FR	1
-813	114T4240-52		..SEAL	R-X,A A,AB, AF,AH ,EC- FB,FE FF,FH ,FK,F N,FP, FS,FT	1
815	BACR15BB3AD		.RIVET- (SIZE DETERMINE ON INST)	E-L, R-AB, AE-AH ,DC-F T	4

57-43-51

FIG. & ITEM	PART NO.	AIRLINE PART NUMBER	NOMENCLATURE 1234567	EFF CODE	QTY PER ASSY
04-817	MS27253-1		.PLATE	E-L, R-AB, AE-AH ,DC-F T	1
820	BACR15BB4AD		.RIVET- (SIZE DETERMINE ON INST)	E-L, R-AB, AE-AH ,DC-F T	1
822	BACR15BB4A		.RIVET- (SIZE DETERMINE ON INST)	E-L, R-AB, AE-AH ,DC-F T	3
824	BACR15CE6KE		.RIVET- (SIZE DETERMINE ON INST)	E-L, R-AB, AE-AH ,DC-F T	122
826	BACR15CE5KE		.RIVET- (SIZE DETERMINE ON INST)	E-L, R-AB, AE-AH ,DC-F T	16
828	BACB30NW6K		.BOLT- (SIZE DETERMINE ON INST)	E-L, R-AB, AE-AH ,DC-F T	10

57-43-51

ILLUSTRATED PARTS LIST
 01.1 Page 1088H
 Mar 01/04

FIG. & ITEM	PART NO.	AIRLINE PART NUMBER	NOMENCLATURE 1234567	EFF CODE	QTY PER ASSY
04-830	HL79-6		.COLLAR- (V5M902) (SPEC BACC30M6) (OPT HL79-6 (V73197)) (OPT HL79-6 (V92215)) (OPT 66014-6 (V56878)) (OPT HL79-6 (V56878))	E-L, R-AB, AE-AH ,DC-F T	10
832	114T4151-9		.PANEL-LWR CLOSURE	E-L,Y ,Z,AE ,AG, DC-EB ,FC, FD FG,FJ ,FL,F M,FQ, FR	1
-834	114T4151-10		.PANEL-LWR CLOSURE	R-X,A A,AB, AF,AH ,EC- FB,FE FF,FH ,FK,F N,FP, FS,FT	1
836	114T4151-11		.PANEL-LWR CLOSURE	E-L,Y ,Z,AE ,AG, DC-EB ,FC, FD FG,FJ ,FL,F M,FQ,	1

57-43-51

FIG. & ITEM	PART NO.	AIRLINE PART NUMBER	NOMENCLATURE 1234567	EFF CODE	QTY PER ASSY
04- -838	114T4151-12		.PANEL-LWR CLOSURE	FR R-X,A A,AB, AF,AH ,EC- FB,FE FF,FH ,FK,F N,FP, FS,FT E-L, R-AB, AE-AH ,DC-F T	1
840	BACS12ER3K16		.SCREW	E-L, R-AB, AE-AH ,DC-F T	2
842	HL10VAZ6-5		.BOLT- (V60516) (SPEC BACB30MY6K5) (OPT B30MY6K5 (V97928))	E-L, R-AB, AE-AH ,DC-F F	4
-842A	WC331K6-2		.BOLT- (V60516) (SPEC BACB30YP6K2)	FG-FT	4
844	H10-3BAC		.NUT- (V15653) (SPEC BACN10JC3) (OPT NS202101-02 (V80539)) (OPT RMLH9075-3W (V72962)) (OPT T6S1032J (V71087)) (OPT VN303A02 (V92215)) (OPT 96-02 (V80539)) (OPT BRH10A3 (V52828))	E-L, R-AB, AE-AH ,DC-F T	6

57-43-51

 ILLUSTRATED PARTS LIST
 01.1 Page 1088J
 Mar 01/04

FIG. & ITEM	PART NO.	AIRLINE PART NUMBER	NOMENCLATURE 1234567	EFF CODE	QTY PER ASSY
04-846	BACR15CE5AD		.RIVET- (SIZE DETERMINE ON INST)	E-L, R-AB, AE-AH ,DC-F T	4
848	114T4136-1		.FITTING	E-L, R-AB, AE-AH ,DC-F T	2
850	114T4136-2		.FITTING	E-L, R-AB, AE-AH ,DC-F T	2
852	114T6415-6		.FITTING-PIVOT	E-L, R-AB, AE-AH ,DC-F T	4
853	BACB30MY6K		.BOLT- (SIZE DETERMINE ON INST)	E-L, R-AB, AE-AH ,DC-F T	1
853H	HST10AG6-5		.BOLT- (VOPTK6) (SPEC BACB30VT6K5) (OPT HST10AG6-5 (V06725)) (OPT HST10AG6-5 (V56878)) (OPT HST10AG6-5 (V73197))	E-L, R-AB, AE-AH ,DC-F T	5

57-43-51

FIG. & ITEM	PART NO.	AIRLINE PART NUMBER	NOMENCLATURE 1234567	EFF CODE	QTY PER ASSY
04- 854 855	BACR15CE6KE HL79-6		DELETED .COLLAR- (V5M902) (SPEC BACC30M6) (OPT HL79-6 (V73197)) (OPT HL79-6 (V92215)) (OPT 66014-6 (V56878)) (OPT HL79-6 (V56878))	E-L, R-AB, AE-AH ,DC-F T	1
855H	HST79CY6		.COLLAR- (V73197) (SPEC BACC30BL6) (OPT HST79-6 (V56878)) (OPT HST79-6 (V92215)) (OPT HST79-6 (V5M902))	E-L, R-AB, AE-AH ,DC-F T	5
856	114T4301-115		.RIB ASSY-NOSE	E-J,Y ,DC-D R,DU, DV	1
-856A	114T4301-167		.RIB ASSY-NOSE	K,L,Z ,AE,A G,DS, DT,D W-EB FC,FD ,FG,F J,FL, FM,FQ ,FR	1

57-43-51

ILLUSTRATED PARTS LIST
01.1 Page 1088L
Mar 01/04

FIG. & ITEM	PART NO.	AIRLINE PART NUMBER	NOMENCLATURE 1234567	EFF CODE	QTY PER ASSY
04- -858	114T4301-116		.RIB ASSY-NOSE	R-V,A A,E C-ER, EU,EV	1
-858A	114T4301-168		.RIB ASSY-NOSE	W,X,A B,AF, AH,ES ,ET,E W-FB FE,FF ,FH,F K,FN, FP,FS ,FT	1
860	BACR15CE5KE		.RIVET- (SIZE DETERMINE ON INST)	E-L, R-AB, AE-AH ,DC-F T	6
862	114T4301-111		.RIB ASSY-NOSE	E-J,Y ,DC-D R,DU, DV	1
-862A	114T4301-163		.RIB ASSY-NOSE	K,L,Z ,AE,A G,DS, DT,D W-EB FC,FD ,FG,F J,FL, FM,FQ ,FR	1

57-43-51

FIG. & ITEM	PART NO.	AIRLINE PART NUMBER	NOMENCLATURE 1234567	EFF CODE	QTY PER ASSY
04- -864	114T4301-112		.RIB ASSY-NOSE	R-V,A A,E C-ER, EU,EV	1
-864A	114T4301-164		.RIB ASSY-NOSE	W,X,A B,AF, AH,ES ,ET,E W-FB FE,FF ,FH,F K,FN, FP,FS ,FT	1
865	BACB30MY6K		.BOLT- (SIZE DETERMINE ON INST)	E-L, R-AB, AE-AH ,DC-F T	2
865H	HST10AG6-5		.BOLT- (VOPTK6) (SPEC BACB30VT6K5) (OPT HST10AG6-5 (V06725)) (OPT HST10AG6-5 (V56878)) (OPT HST10AG6-5 (V73197))	E-L, R-AB, AE-AH ,DC-F T	4
866 867	BACR15CE6KE HL79-6		DELETED .COLLAR- (V5M902) (SPEC BACC30M6) (OPT HL79-6 (V73197)) (OPT HL79-6 (V92215)) (OPT 66014-6 (V56878)) (OPT HL79-6 (V56878))	E-L, R-AB, AE-AH ,DC-F T	2

57-43-51

ILLUSTRATED PARTS LIST
01.1 Page 1088N
Mar 01/04

FIG. & ITEM	PART NO.	AIRLINE PART NUMBER	NOMENCLATURE 1234567	EFF CODE	QTY PER ASSY
04-867H	HST79CY6		.COLLAR- (V73197) (SPEC BACC30BL6) (OPT HST79-6 (V56878)) (OPT HST79-6 (V92215)) (OPT HST79-6 (V5M902))	E-L, R-AB, AE-AH ,DC-F T	4
868	114T4301-109		.RIB ASSY-NOSE	E-J,Y ,DC-D R,DU, DV	1
-868A	114T4301-161		.RIB ASSY-NOSE	K,L,Z ,AE,A G,DS, DT,D W-EB FC,FD ,FG,F J,FL, FM,FQ ,FR	1
-870	114T4301-110		.RIB ASSY-NOSE	R-V,A A,E C-ER, EU,EV	1
-870A	114T4301-162		.RIB ASSY-NOSE	W,X,A B,AF, AH,ES ,ET,E W-FB FE,FF ,FH,F K,FN, FP,FS ,FT	1

57-43-51

FIG. & ITEM	PART NO.	AIRLINE PART NUMBER	NOMENCLATURE 1234567	EFF CODE	QTY PER ASSY
04-875	NAS1399D5A2		.RIVET	FL-FT	8
880	114T4118-1		.VORTILON	FL,FM ,FR	2
-885	114T4118-2		.VORTILON	FN,FP ,FT	2
			DELETED	E-J, R-V,Y ,AA, DC-DR ,DU,D V EC-ER ,EU,E V	
960	114T4180-23		DELETED		
-960A	114T4180-33		DELETED		
-960B	114T4180-23		DELETED		
-960C	114T4180-33		DELETED		
-960D	114T4180-43		DELETED		
-960E	114T4180-53		DELETED		
-960F	114T4180-53		DELETED		
965	ADB9V301NC		DELETED		
970	114T4180-28		DELETED		
-970A	114T4180-38		DELETED		
-970B	114T4180-48		DELETED		

- Item Not Illustrated

57-43-51

ILLUSTRATED PARTS LIST
01.1 Page 1088P
Mar 01/04